



(19) **United States**

(12) **Patent Application Publication**
Childs

(10) **Pub. No.: US 2019/0059149 A1**

(43) **Pub. Date: Feb. 21, 2019**

(54) **ELECTRODE ASSEMBLY FOR PLASMA GENERATION**

(52) **U.S. Cl.**
CPC **H05H 1/50** (2013.01)

(71) Applicant: **Montgomery William Childs, Oro Medonte (CA)**

(57) **ABSTRACT**

(72) Inventor: **Montgomery William Childs, Oro Medonte (CA)**

(21) Appl. No.: **16/105,190**

(22) Filed: **Aug. 20, 2018**

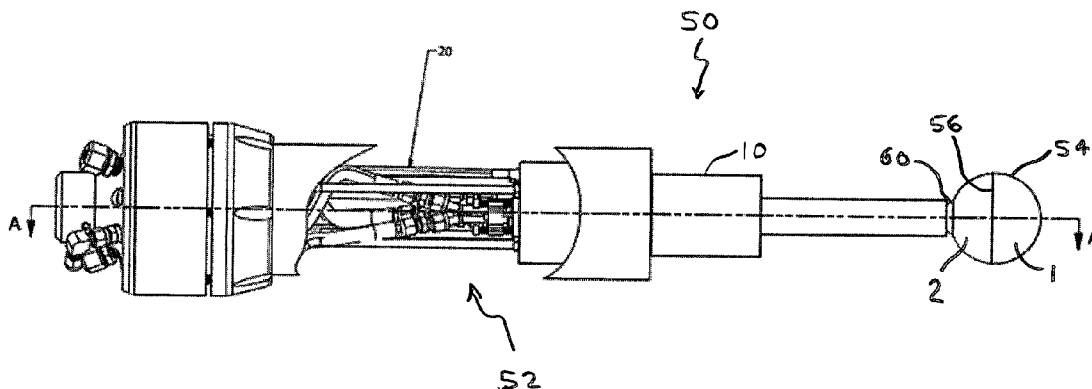
Related U.S. Application Data

(60) Provisional application No. 62/547,432, filed on Aug. 18, 2017.

Publication Classification

(51) **Int. Cl.**
H05H 1/50 (2006.01)

A hollow electrode assembly through which gas from a gas supply can pass and be effused across the casing of the electrode for supplying a gas for a plasma discharge. The gas passing the electrode goes from a higher gas pressure environment inside the electrode to a lower gas pressure environment on the outside of the electrode. The casing of the electrode through which the gas effuses can be a metal or metal alloy which provides for a controlled flow of the gas through the wall. The flow rate of the gas can be controlled by one or more of the porosity of the metal or metal alloy used, the type of gas used, the pressure differential between the inside and outside of the electrode, and the temperature of the system. The electrode assembly can be used in and high temperature plasma generators.



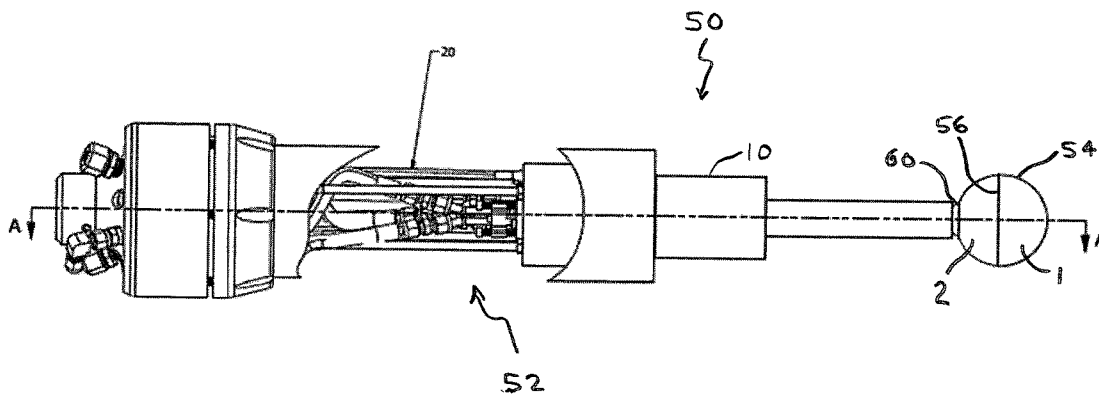


FIG 1

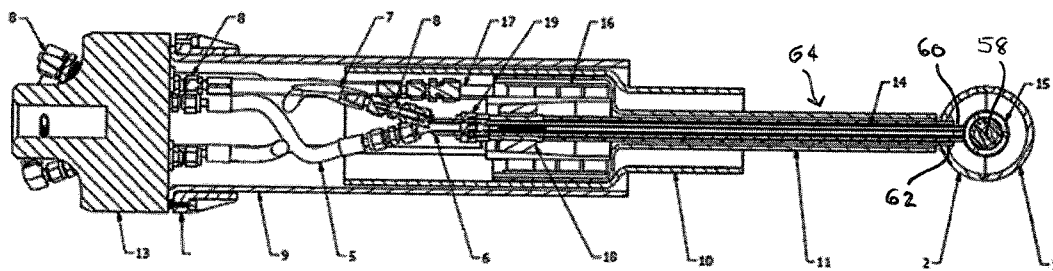


FIG 1A

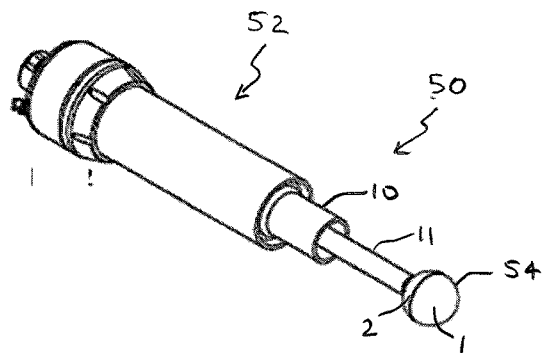


FIG 2

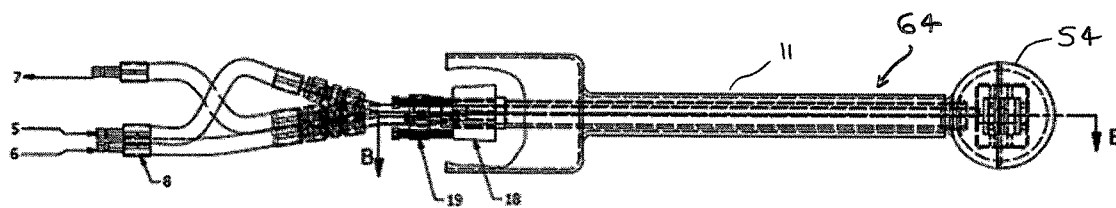


FIG 3



FIG 3A

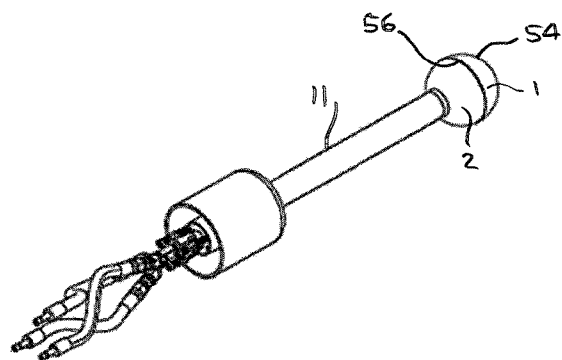


FIG 3B

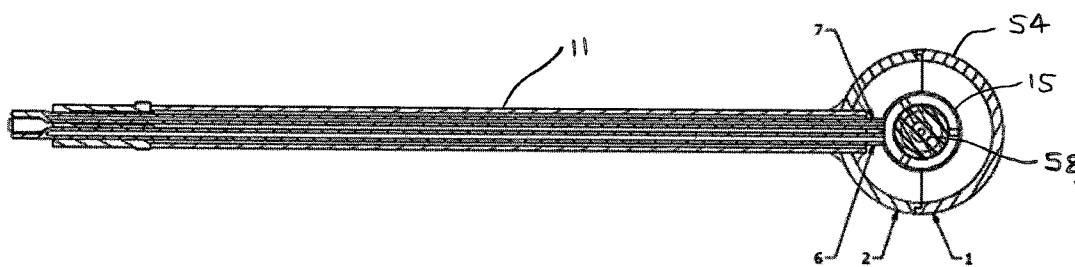


FIG 4

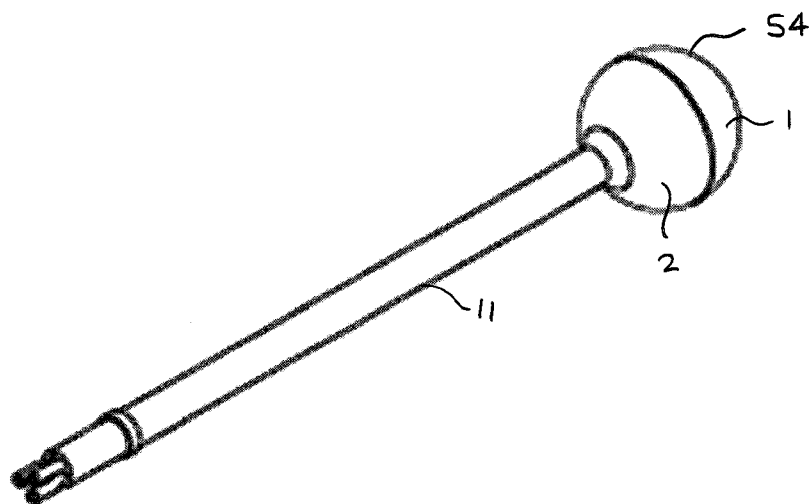


FIG 4A

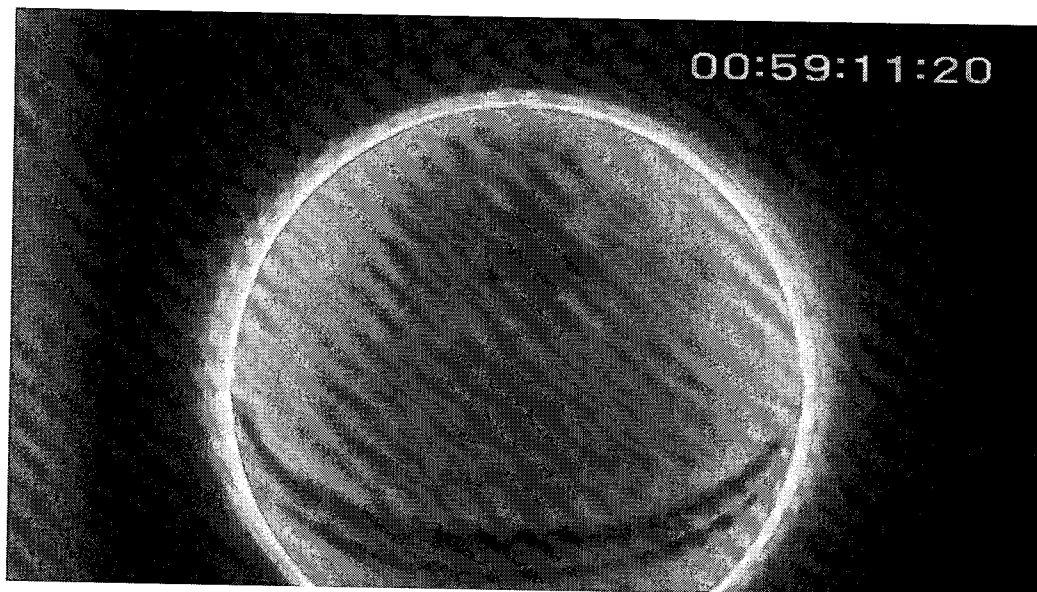


FIG. 5

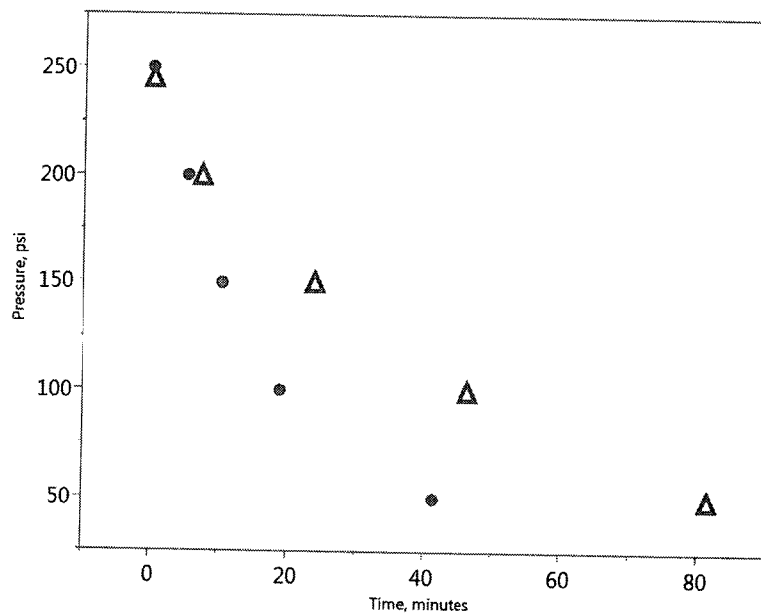


FIG. 6

ELECTRODE ASSEMBLY FOR PLASMA GENERATION

CROSS- REFERENCE TO RELATED APPLICATION

[0001] This present application claims the benefit of U.S. Provisional Patent Application Ser. No. 62/547,432 filed Aug. 18, 2017.

FIELD OF THE DISCLOSURE

[0002] The present disclosure relates generally to electrodes for plasma generation.

BACKGROUND OF THE DISCLOSURE

[0003] Electrodes are used in plasma generation such as in fusion reactors and plasma generators. Such electrodes can be connected to a power source (for use as an anode) or the ground (for use as a cathode) and placed in a plasma chamber. Overheated gas is typically supplied to the plasma discharge

SUMMARY OF THE DISCLOSURE

[0004] In one aspect, the present disclosure relates to a hollow electrode assembly including at least one conduit for the supply of fresh, non-ionized gas to a plasma discharge from the electrode. The non-ionized gas comprises ions and electrons which are thermally cooled by the assembly. The supply of gas helps to thermally cool the electrode which helps to extend the anode life of the electrode and enable longer analysis times. In certain aspects of the present disclosure, the electrode may function as an anode while in other aspects, the electrode may function as a cathode.

[0005] In another aspect, the present disclosure relates to a hollow electrode assembly including at least one conduit for the supply of fresh, non-ionized gas to a plasma discharge, and an effusion membrane through which the non-ionized gas can pass to supply the plasma discharge from the electrode.

[0006] In a still further aspect, the present disclosure relates to a hollow electrode assembly through which gas from a gas supply can pass and be effused across the casing of the electrode for supplying a gas for a plasma discharge. The gas passing the electrode goes from a higher gas pressure environment inside the electrode to a lower gas pressure environment on the outside of the electrode. In certain aspects of the present disclosure, the casing of the electrode through which the gas effuses is a metal or metal alloy which provides for a controlled flow of the gas through the wall. In certain aspects of the present disclosure, the flow rate of the gas is controlled by one or more of the porosity of the metal or metal alloy used, the type of gas used, the pressure differential between the inside and outside of the electrode, and the temperature of the system. In certain aspects of the present disclosure, the electrode assembly can be used in high temperature plasma generators. In another aspect of the present disclosure, the electrode is used as an anode and the casing shields the gas inside the electrode from the ionizing plasma and impinging negative ions and electrons from a cathode. In another aspect of the present disclosure, the effusion rate of the gas through the casing into the surrounding ionizing plasma is partially governed by Sievert's law, which describes diatomic and ionizable gas solubility in a metal lattice. If a selected

amount of porosity is introduced into the metal or metal alloy casing during casting, Fick's law of diffusion further governs the pressure differential between the internal high pressure of the electrode and the surrounding vacuum plasma.

[0007] In another aspect, the present disclosure relates to a method for generating a plasma including providing a hollow electrode assembly through which a gas from a gas supply can pass and be effused across the casing of the electrode for supplying a gas for a plasma discharge, introducing the gas under pressure into the electrode assembly such that the gas passes and is effused across the casing, and applying a current and a voltage to the electrode assembly for generating a plasma discharge.

BRIEF DESCRIPTIONS OF DRAWINGS

[0008] For the purpose of illustrating the invention, the drawings show aspects of one or more embodiments of the invention. However, it should be understood that the present invention is not limited to the precise arrangements and instrumentalities shown in the drawings, wherein:

[0009] FIG. 1 is front elevation view with a partial cut-away of an anode assembly according to an aspect of the present disclosure;

[0010] FIG. 1A is a section view taken along A-A of FIG. 1;

[0011] FIG. 2 is an isometric view of the anode assembly of FIG. 1;

[0012] FIG. 3 is a front elevation view of the anode head of the anode and sleeve of FIG. 1;

[0013] FIG. 3A is a left side elevation view of the anode head and sleeve of FIG. 3;

[0014] FIG. 3B is an isometric view of the anode and sleeve of FIG. 3;

[0015] FIG. 4 is a section view of the anode of FIG. 3 taken along B-B of FIG. 3;

[0016] FIG. 4A is an isometric view of the anode of FIG. 4.

[0017] FIG. 5 is an image of the head of a steel anode according to an aspect of the present disclosure with a high-voltage discharge on the head. The dark striations are the weld seams; and

[0018] FIG. 6 is a graph of the pressure within the anode of FIG. 5 as a function of time when initially charged with (●) hydrogen and (Δ) nitrogen and then the source gas shut off.

DETAILED DESCRIPTION

[0019] Referring initially to FIG. 1, in one implementation, the present disclosure is directed to an electrode assembly including an anode generally indicated at 50 and a gas delivery and cooling assembly generally indicated at 52. The anode 50 includes a hollow bulbous head 54. The anode head 54 includes two cast alloy half spheres 1, 2 welded together along seam 56. The alloy is a steel-based alloy with high nickel content (above -20%) but other metals and/or alloys suitable for plasma generation can be used. In certain embodiments, any metal that is castable with porosity can be used. In still further embodiments, noble metals such as palladium, platinum, nickel, etc., may be used since hydrogen dissolves in the lattice and can diffuse from a higher pressure within the anode to the surrounding chamber. Housed in the bulbous head 54 is magnetic core 15

which houses a magnet **58**. The magnet **58** may be an electromagnet or permanent magnet which can be used to further customize the plasma characteristics. The charged plasma will follow the field lines from the magnet to the surface of the anode. The magnetic core **15** is located at the free end of inner sleeve **60** which enters the bulbous head **54** through opening **62** is half sphere **2**. Sleeve **60** houses conduits indicated generally at **64** that include gas inlet, coolant inlet, and coolant outlet. The sleeve **60** is enclosed by insulated outer sleeve **11**.

[0020] The sleeves **60** and **62** and conduits **64** extend into insulated sleeve **10** and then insulated sleeve **9** of the gas delivery and cooling assembly **52**. The sleeve **9** houses multi-anode tube flow-throughs **19**, anode water cooling lines **5**, **6** and gas input line **7** which are coupled together by tube unions **8** to internal gas/water cooling lines **14** in order to maintain gas/water pressure and flow. In this manner, in operation, the bulbous anode head **1** remains energized at high electrical potential with no arcing to grounded inlet lines **5**, **6**, **7**. The gas inlet **7** is connected to a pressure gauge and subsequent gas sources. The tapered base **18** ensures the anode assembly is a tight fit to the positive high voltage/high current circuit while allowing multiple styles of anode electrode to be interchanged.

[0021] Electrical charge is delivered via an insulated cable **20** coupled to the multi-anode base/heat exchanger unit **16**. Pressurized cooling lines **17** are connected to the multi-anode base/heat exchanger to maintain cooling of the anode and insulated properties.

[0022] Insulated sleeves **9**, **10**, **11** are utilized to increase arc distance to ground and insulate components from heat.

[0023] In order to further insulate the parts from the high electrical potential when the bulbous head **54** operates as an anode, a polymer bulkhead **13** is used in transition from the gas/cooling/electrical supply-side. Dielectric materials are used whenever possible to prevent discharges across gaps to electrical ground. PEEK polymer, glass, quartz, and refractory materials are common constituents to accomplish such a task. The gas can be any gas, but in this embodiment discharges using hydrogen and deuterium are disclosed. Because of the extremely high temperatures encountered, cooling water lines are distributed throughout the electrode assembly which further strengthen the original nature of this design.

EXAMPLES

Example 1

[0024] FIG. **5** shows a typical electrical discharge in 5 torr hydrogen (chamber pressure) and 200 psi (13.8 kbar) being exerted from the source gas in the anode with a discharge voltage of 300V.

Example 2

[0025] FIG. **6** shows the pressure decay as a function of time for a charged anode surrounded by 1 torr of atmosphere of hydrogen, and a separate experiment with nitrogen. The anode was charged with 250 psi of gas, and the supply valve then closed.

[0026] Accordingly, the present disclosure should only be limited by the scope of the claims that follow.

What is claimed is:

1. An electrode apparatus for plasma generation comprising:
 - a hollow electrode assembly connectable to a gas source, comprising,
 - at least one conduit in the assembly for supplying gas under pressure to the inside of the assembly,
 - a gas permeable membrane on the electrode for permitting gas from inside the assembly to effuse across the membrane for supply gas to a plasma discharge from the electrode.
2. The electrode apparatus of claim **1**, wherein the electrode further comprises a plasma discharge head from which the plasma is discharged from the electrode.
3. The electrode apparatus of claim **2**, wherein the head is composed of a pure element or alloy selected from the group consisting of nickel, iron, carbon, molybdenum, chromium, vanadium, silicon, copper, palladium, platinum, lithium, aluminum, carbon and combinations thereof.
4. The electrode apparatus of claim **2**, wherein the geometry of the head is selected from the group consisting of a bulb, sphere, polyhedral, tetrahedral, octahedral, and icosahedral.
5. The electrode apparatus of claim **1**, wherein the gas permeable membrane comprising a metal matrix for dissociating diatomic molecules whereby dissociated atomic species effuse through the metal matrix and recombine within the plasma corona above the surface of the metal electrode.
6. The electrode apparatus of claim **1**, the hollow electrode assembly further comprising an electrical circuit in a tapered housing.
7. The electrode apparatus of claim **5**, the hollow electrode further comprising a magnet therein for proving field lines to guide plasma formation, and wherein the metal matrix provides for gas effusion at a constant rate to the environment surrounding the hollow electrode at a lower pressure as compared to the pressure of the environment inside the hollow electrode.
8. The electrode apparatus of claim **7**, wherein the magnet of claim **6** being a rare-earth neodymium, samarium-cobalt, or pure ferromagnet, of compositions containing neodymium, iron, and/or boron, or samarium and cobalt.
9. The electrode apparatus of claim **7**, wherein the magnet is an electromagnet, the magnetic field of which can be controlled by an electrical current through a particular design of current-carrying wires or media.
10. The electrode apparatus of claim **7**, wherein the magnet has a remanence strength of at least 0.0 to 1.5 tesla.
11. The electrode apparatus of claim **1**, further comprising a coating on the anode for promoting a dielectric protective layer which can alter the appearance and characteristics of the plasma discharge.
12. The electrode apparatus of claim **11**, wherein the coating is selected from the group consisting of lithium, potassium, sodium in the form of a refractory oxide mixture, decomposable carbonate, decomposable nitrate, a volatile material that would leave behind oxides, and reduced metals of lithium, potassium, or sodium.
13. The electrode apparatus of claim **12**, wherein the refractory oxide comprises one or more transition elements of the periodic table.
14. The electrode apparatus of claim **12**, wherein the refractory oxide coating comprises one or more lanthanide elements of the periodic table.

15. A method for generating a plasma comprising:
providing a hollow electrode assembly through which a
gas from a gas supply can pass and be effused across
the casing of the electrode for supplying a gas for a
plasma discharge,
introducing the gas under pressure into the electrode
assembly such that the gas passes and is effused across
the casing, and
applying a current and a voltage to the electrode assembly
for generating a plasma discharge.

* * * * *