

540
92



始



工學會水道鐵管調查委員報告

水道用鑄鐵直管及異形管類規格

大正十四年十月

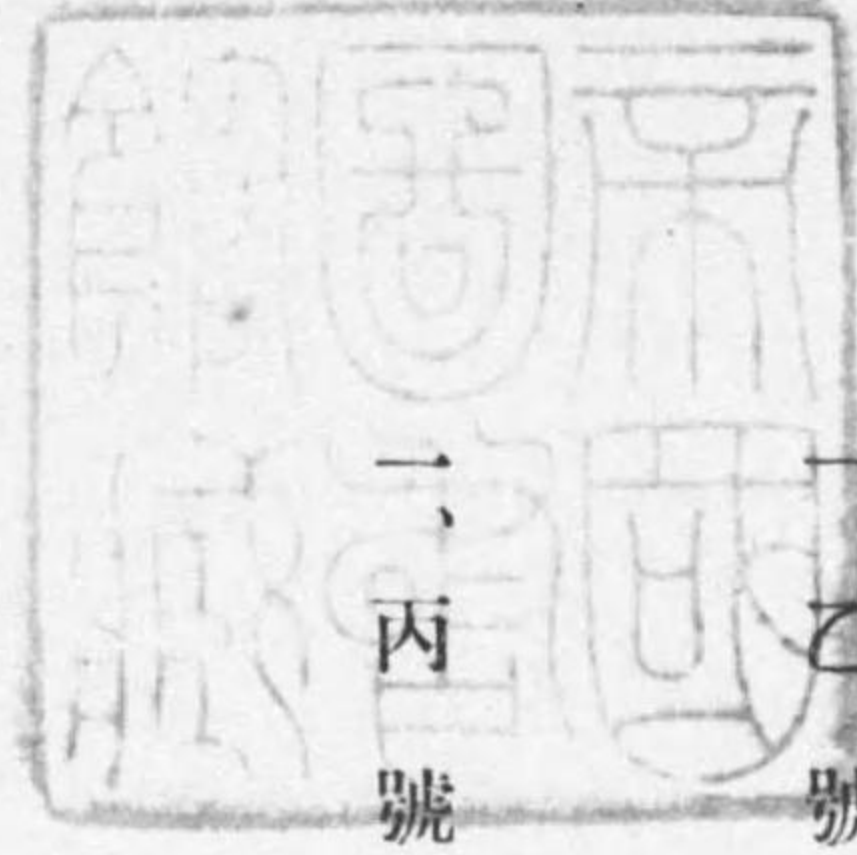
上水協議會

正誤表 丙號

頁 13 公式中

誤 $\theta = 90^\circ - \varphi$

正 $\theta = \frac{\pi}{2} - \varphi$



目次

一、甲號 水道用鑄鐵直管 異形管類 規格及其の附表

一、乙號 水道用鑄鐵管仕様書標準の寸法を「メートル」式に變更及異形管の種類増加に關する調査書

一、丙號 水道用鑄鐵管の重量計算法

發行所 寄贈本

六三
16. 2. 1
寄贈

540-92

甲
號

水道用鑄鐵直管
異形管類
規格及其の附表

水道用鑄鐵直管及異形管類規格

第一章 總 則

第一條 本規格ハ砂型ヲ用キテ鑄造セル水道用印籠直管、突縁直管及ヒ異形管類以下總括シテ單ニ管ト稱スニ適用ス

第二章 種 別

第二條 直管ハ之ヲ二種ニ別テ靜水頭四五米乃至七五米ニ對スルモノヲ普通壓管ト稱シ靜水頭四五米未満ニ對スルモノヲ低壓管ト稱ス
異形管類ハ總テ靜水頭七五米以下ニ對スルモノトス

第三章 製 造 法

第三條 管ハ性質良好ナル銑鐵ヲ用キテ鑄造シ組織均一且ツ強靱ニシテ錐揉ミシ易キモノタルヲ要ス

第四條 管ハ鑄込ミタル後急冷ニ依リテ生スル不等收縮其他ノ障害ヲ避クル爲メ必要ナル時間型枠ヨリ取出ササルコトヲ要ス

第五條 印籠直管ハ承口ヲ下ニシ相當ノ押湯ヲ附シ垂直ノ位置ニ於テ鑄造スルモノトス
押湯ノ部分ハ冷却ノ後丁寧ニ之ヲ切取ルモノトス

第四章 抗折試驗及抗張試驗



第六條 管ノ鑄造ニ用キル熔銑ニ就テハ抗折試験ヲ行フモノトス

註文者又ハ其指定シタル検査員(以下單ニ検査員ト稱ス)ニ於テ必要ト認ムルトキハ抗張試験ヲ併セ行フモノトス

第七條 抗折試験片及抗張試験片ハ同一熔銑毎ニ各三個ヲ造リ之カ試験ヲ行ヒ其ノ成績ハ三個ノ平均ニ依リ之ヲ定ムルモノトス

註文者又ハ検査員ニ於テ必要ト認メタルトキハ前項ノ試験回数ヲ適宜増減スルコトヲ得

第八條 抗折試験ハ幅五〇耗、厚サ二五耗、長サ約六五〇耗ニ鑄造シタル試験片ヲ用キ鑄放シノ儘之ヲ徑間六〇〇耗ノ支ヘヌニ扁平ニ載セ其ノ中心ニ八〇〇耗ノ荷重ヲ置キテ之ニ耐ヘ且ツ漸時荷重ヲ増加シ其折斷前六八耗ヨリ少ナカラサル撓ミヲ示スコトヲ要ス

抗折試験片ノ幅及厚サハ各一〇%以内ノ増減ヲ許シ増減ノ程度ニ應シテ前項ノ荷重ヲ相當ニ加減スルモノトス

第九條 抗張試験ハ日本標準規格金屬材料抗張試験片第三號ニ據リ徑Dヲ二五耗乃至三〇耗ニ仕上タル試験片ヲ用キテ之ヲ行ヒ抗張力一平方耗ニ付一二五耗以上タルヲ要ス

第十條 本章ノ試験カ不合格ニ了リタルトキハ其ノ試験片ノ代表スル熔銑ヲ用キテ鑄造シタル管ハ總テ不合格トス

第五章 形狀寸法

第十一條 管ハ斷面眞圓ニシテ其ノ内外周ハ同心圓タルヘク又直管ハ其ノ管體眞直ナルコトヲ要ス

管ノ形狀寸法ハ附表第壹號——第貳拾參號ニ據ルモノトス

第十二條 印籠直管ノ承口内徑及挿口外徑ノ公差ハ次表ニヨルモノトス

公稱内徑	三五〇耗以下	承口正	挿口負	三耗
"	四〇〇耗乃至九〇〇耗	"	"	四耗
"	一〇〇〇耗以上	"	"	五耗

異形管類ニ對シテハ前項ノ公差ニ其ノ五〇%ノ増加ヲ許スモノトス

第十三條 管厚ハ直管ニアリテハ規定厚ノ一〇%以上異形管ニアリテハ一五%以上不足スルヲ許サス

第六章 記 號

第十四條 管ニハ外側一定ノ場所ニ水ノ字、製造所ノ記號、製造ノ年、及ヒ番號ヲ高サ三耗以上ニ鑄出スルモノトス但シ番號ハ註文者ノ承認ヲ經テ之ヲ省クコトヲ得

直管ニハ前項記號ノ外普通壓管ニ對シテハ㊦ノ字、低壓管ニ對シテハ㊧ノ字ヲ鑄出スルモノトス
不合格品ニ對シテハ第一項ノ水ノ字ヲ削リ落スモノトス

第七章 檢 査

第十五條 管ハ内外面共ニ滑カニシテ疵瘤鑄脹、集其他有害ナル缺點ナキコトヲ要ス

疵穴、巢穴等ニ詰メ金又ハ填メ金ヲ爲スコトヲ許サス

第十六條 管ハ充分ニ掃除シタル後小形ノ鏡ヲ以テ輕ク管體ヲ敲キ鑄質ノ検査ヲ行フモノトス

異形管類ニ在リテハ註文者又ハ検査員ニ於テ特ニ必要ト認ムル場合切斷若クハ破壊シテ其ノ形狀寸法ヲ検査スルコトヲ得

第八章 塗 装

第十七條 管ハ總テ内外面共ニ「コールトービツチ」及亞麻仁油ノ混合塗料ヲ以テ被覆スルモノトス
被覆ハ滑カニシテ光澤ヲ有シ寒暑ニ對シテ異狀ヲ呈セサルモノタルヲ要ス

第十八條 塗裝ヲ爲スニハ管ノ内外面ヲ清潔ニ掃除シ錆ヲ完全ニ除却シ全體ヲ攝氏一五〇度ニ熱
シ同溫度ノ前條塗料液ニ浸シ液槽ヨリ引上ケタル後充分ニ液滴ヲ去リ大氣中ニ放置乾燥セシム
ルモノトス

第九章 水 壓 試 驗

第十九條 水壓試驗ハ管ノ塗裝乾燥シタル後次ニ規定セル水壓ヲ保チ輕ク鎚打チヲ爲シツツ之ヲ
行ヒ漏水及浸潤ナキヲ要ス

前項ノ鎚打チニ用キル鎚ハ軟鋼製ニシテ重量一疋以内柄ノ長サ約四五〇耗トス
試驗水壓ハ次表ニヨルモノトス

低壓管

公稱内徑 五〇〇耗以上 一平方糎 一〇・五疋

〃 四五〇耗以下 〃 一七・五疋

普通壓管

公稱内徑 五〇〇耗以上 一平方糎 一四・〇疋

〃 四五〇耗以下 〃 一七・五疋

第十章 重 量

第二十條 管ノ重量ハ塗裝シタル後測定スルモノトシ直管ハ附表ノ標準重量ヨリ減スルコト次ノ
制限ヲ超エサルコトヲ要ス

公稱内徑 三五〇耗以下 四%




〃 四〇〇耗乃至九〇〇耗 三%

〃 一〇〇〇耗以上 二%




異形管類ニ對シテハ其ノ制限ヲ前項ノ二倍トス

名稱及記號

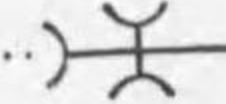
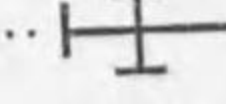
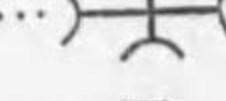

第一號 普通壓直管

	(記號)	(頁)
第一表 直管.....		2 - 3
第二表 突緣管.....		4 - 5
同 片突管.....		4 - 5

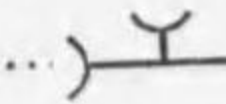
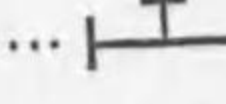
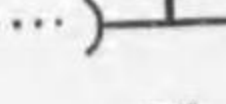
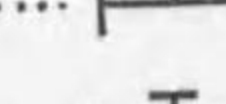


第二號 低壓直管

第一表 直管.....		6 - 7
第二表 突緣管.....		8 - 9
同 片突管.....		8 - 9

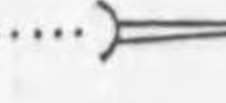
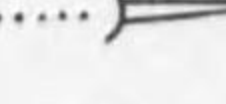

第三號 十字管

第一表 三承十字管.....		10-13
第二表 三突十字管.....		14-21
第三表 四承十字管.....		22-25
第四表 四突十字管.....		26-33

第四號 丁字管

第一表 二承丁字管.....		34-37
第二表 二突丁字管.....		38-45
第三表 三承丁字管.....		46-49
第四表 三突丁字管.....		50-57
第五表 二承一突丁字管.....		58-65
第六表 一承二突丁字管.....		66-73

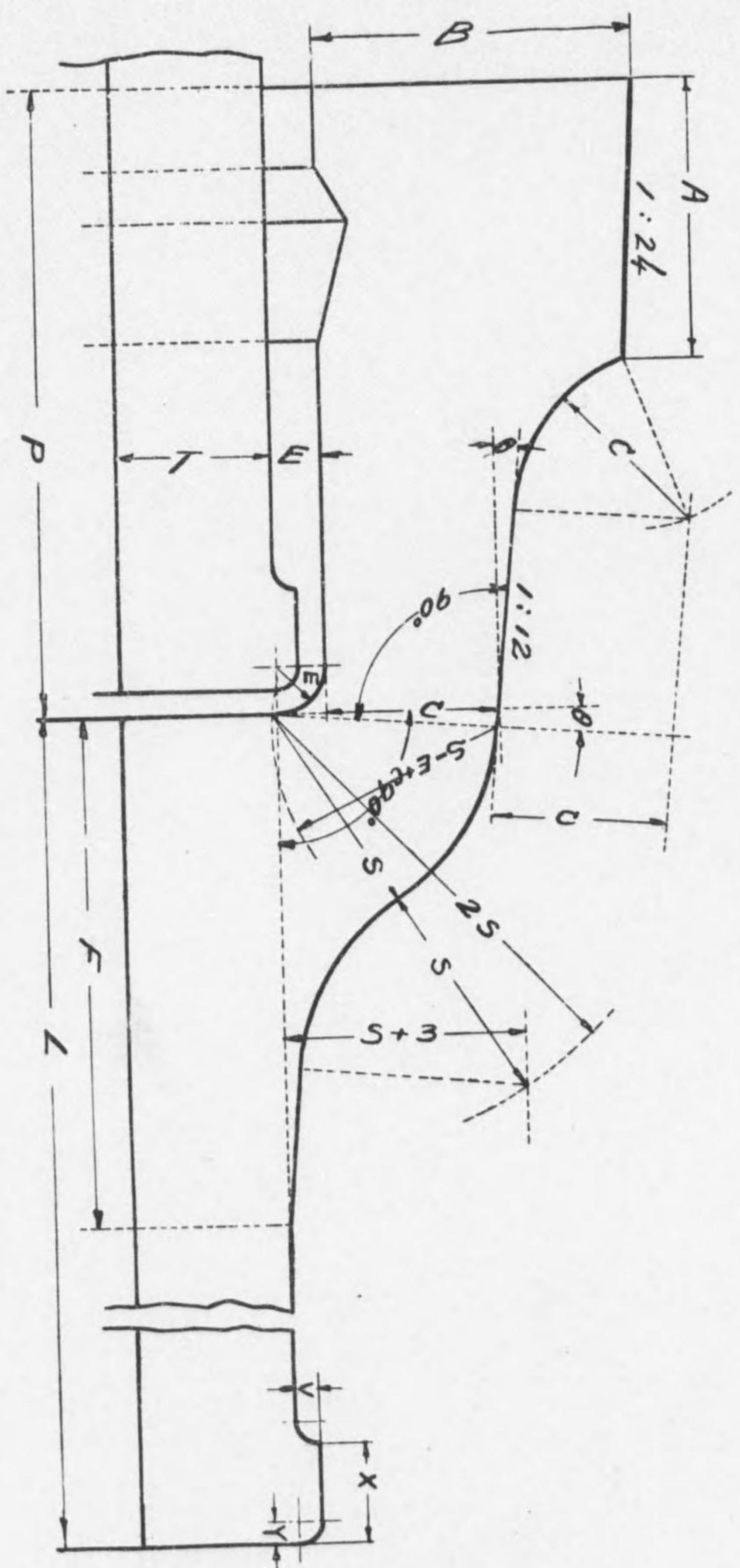
第五號 片落管

第一表 兩承片落管.....		74-79
同 承插片落管.....		"
同 插承片落管.....		"

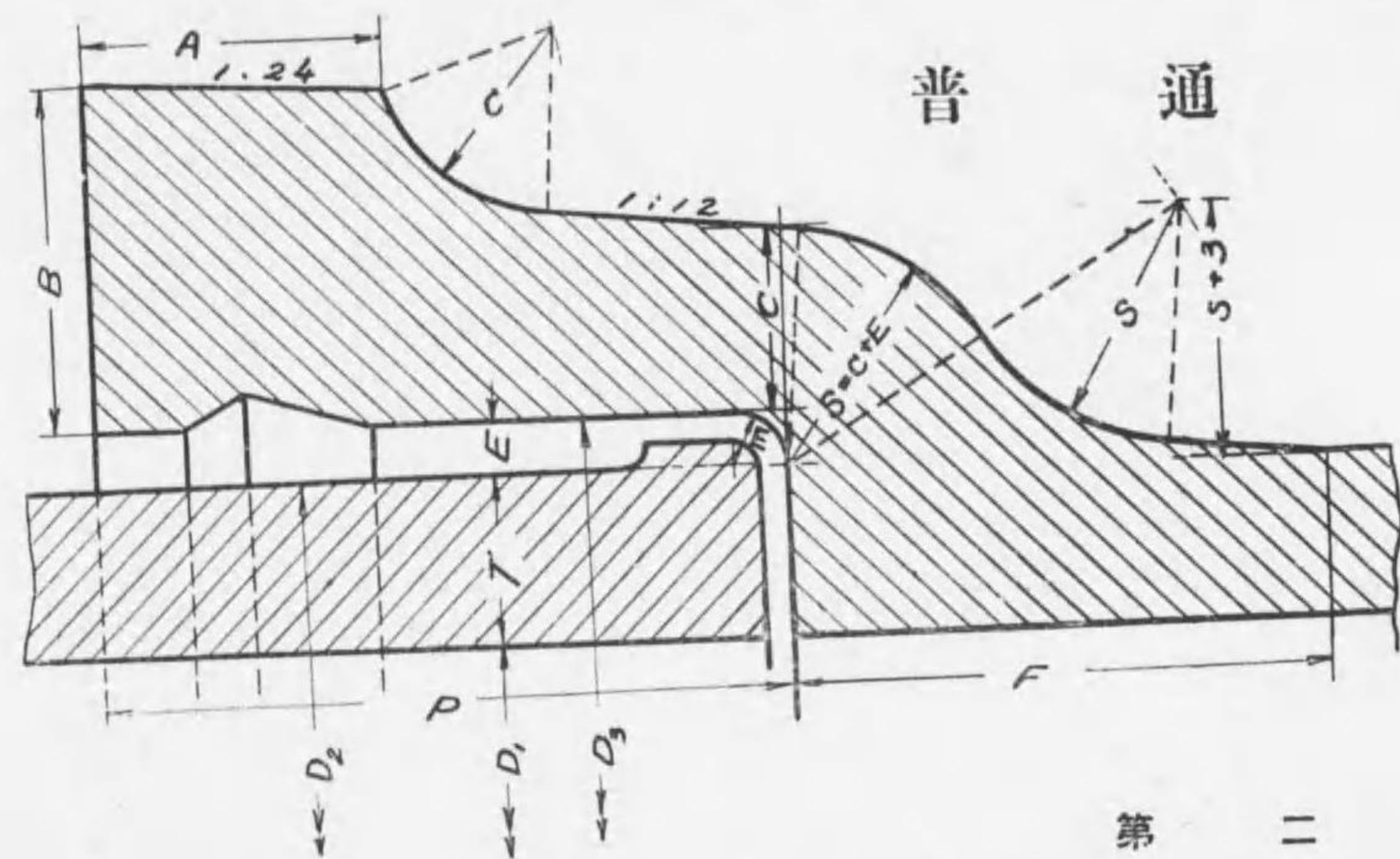
第十二號	乙字管		97-98
第十三號	叉管		99-100
第十四號	制水瓣		101
第十五號	制水瓣副管		102-103
第二表	制水瓣副管甲		104-105
第三表	同 乙		106-107
第四表	同 丙		108-109
第五表	同 丁		110
第十六號	消火栓用管		
第一表	消火栓用管甲		111-115
同	同 乙		"
第二表	同 丙		116-117
第三表	同 丁		116-117
第十七號	排氣瓣用丁字管		118
第十八號	泥吐管		119-120
第十九號	接ギ輪		121
第二十號	短管		
第一表	短管甲		122-123
第二表	短管乙		124-125
第二十一號	帽		126-127
第二十二號	栓		128-129
第二十三號	鐘口		
第一表	鐘口甲		130
第二表	同 乙		131

本附表ニ於テハ長サノ單位ヲ耗トシ重量ノ單位ヲ疋トス

第一表	兩插片落管		74-79
第六號	片落短管		
第一表	兩承片落短管		80-83
同	承插片落短管		"
同	插承片落短管		"
同	兩承片落短管		"
第七號	90° 曲管		
第一表	90° 兩承曲管		84
同	90° 曲管		"
第二表	90° 突緣曲管		85-86
同	90° 片突曲管		"
第八號	45° 曲管		
第一表	45° 兩承曲管		87
同	45° 曲管		"
第二表	45° 突緣曲管		88-89
同	45° 片突曲管		"
第九號	22 1/2° 曲管		
第一表	22 1/2° 曲管		90
第二表	22 1/2° 片突曲管		91-92
第十號	11 1/4° 曲管		
第一表	11 1/4° 曲管		93
第二表	11 1/4° 片突曲管		95
第十一號	5 5/8° 曲管		
第一表	5 5/8° 曲管		93
第二表	5 5/8° 片突曲管		96



承口断面の畫き方



第二號

公稱內徑	管厚	實外徑	承口寸法							
D	T	D ₂	D ₃	A	B	C	P	E	F	S
75	10.2	95.4	115.4	35	30	15	90	10	71.4	25
100	10.7	121.4	141.4	"	31	16	95	"	73.1	26
125	11.3	147.6	167.6	"	32	"	"	"	"	"
150	11.8	173.6	193.6	"	34	17	100	"	74.9	27
200	12.9	225.8	245.8	40	36	18	"	"	76.7	28
250	14.0	278.0	300.0	"	38	19	105	11	80.1	30
300	15.1	330.2	351.2	"	40	20	"	"	81.8	31
350	16.2	382.4	403.4	"	42	21	110	"	83.6	32
400	17.3	434.6	456.6	45	45	23	"	"	87.0	34
450	18.4	486.8	508.8	"	47	24	115	"	88.8	35
500	19.5	539.0	563.0	"	49	25	"	12	92.2	37
600	21.7	643.4	667.4	50	53	27	130	"	95.7	39
700	23.9	747.8	770.8	"	58	29	135	"	99.2	41
800	26.1	852.2	876.2	55	62	31	130	"	102.6	43
900	28.3	956.6	980.6	"	67	34	135	"	107.8	46
1000	30.5	1061.0	1087.0	60	71	36	140	13	113.0	49
1100	32.7	1165.4	1191.4	"	74	38	145	"	116.6	51
1200	34.9	1269.8	1295.8	65	77	40	150	"	120.0	53
1350	38.2	1426.4	1452.4	70	80	43	160	"	125.2	56
1500	41.5	1583.0	1609.0	75	83	47	165	"	132.0	60

※ 承口、挿口及直部一米ノ重量ハ有效數字三桁ヲ取り以下ヲ四捨五入トセルヲ以テ之等ノ合計ハ必シモ一本

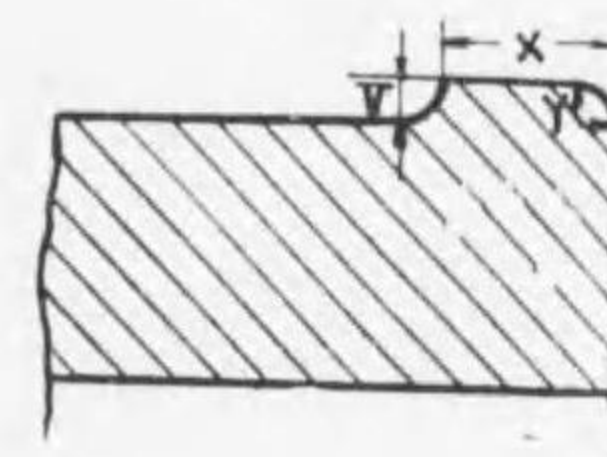
壓直管

靜水頭.....75米..... $T=0.022D+8.5$ 耗

直徑 75 ~ 450

直徑 500 ~ 900

直徑 1,000 ~ 1,500



$A = T + 27$ 耗 $F = \sqrt{4S^2 - (S+3)^2} + 30$ 耗

$B = 2T + 10$ 耗 $P = 0.05D + 90$ 耗

$C = T + 5$ 耗 $S = C + E$

$D_1 = D$

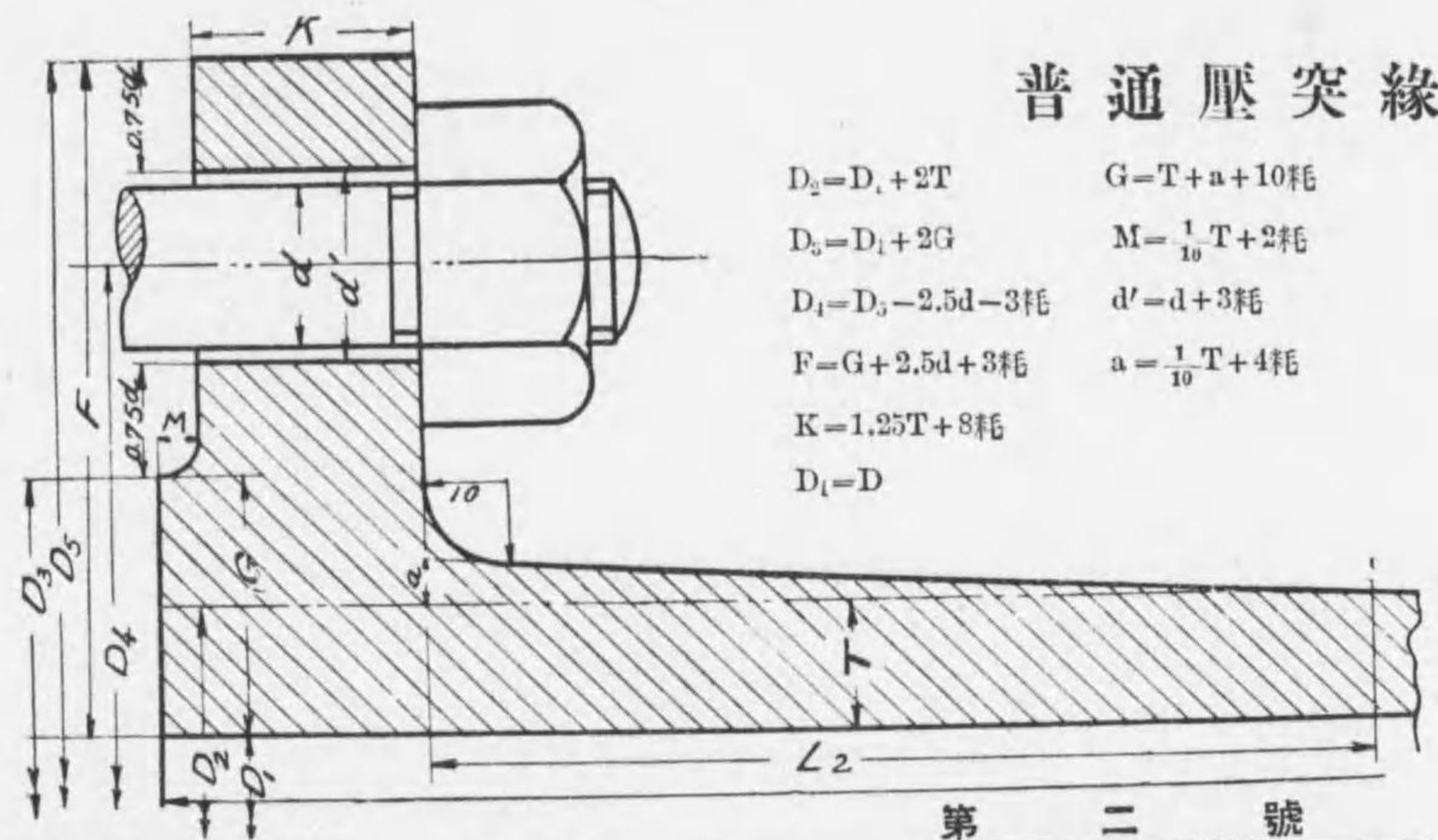
第一表

挿口寸法			重 量 ※				公稱內徑
V	X	Y	承口突部	挿口突部	直部一米	一本總量	D
5	15	4	7.71	.174	19.7	67.0	75
"	"	"	10.10	.220	26.8	90.8	100
"	"	"	12.00	.265	34.8	117.0	125
"	"	"	15.30	.310	43.1	145.0	150
"	"	"	20.60	.401	62.1	239.0	200
"	20	"	28.00	.652	83.6	363.0	250
"	"	"	33.60	.773	103.0	465.0	300
"	"	"	41.60	.893	131.0	579.0	350
6	25	5	52.50	1.540	163.0	707.0	400
"	"	"	63.00	1.720	195.0	844.0	450
"	"	"	75.30	1.880	229.0	994.0	500
"	"	"	97.20	2.240	305.0	1320.0	600
"	"	"	125.00	2.600	391.0	1690.0	700
"	"	"	160.00	2.960	488.0	2110.0	800
"	"	"	202.00	3.320	594.0	2580.0	900
"	"	6	244.00	3.620	711.0	3090.0	1000
"	"	"	290.00	3.970	838.0	3650.0	1100
"	"	"	344.00	4.330	975.0	4250.0	1200
"	"	"	434.00	4.860	1200.0	5240.0	1350
"	"	"	518.00	5.390	1450.0	6310.0	1500

總量ト一致セス

有效長三米

有效長四米



普通壓突縁

$$D_2 = D_1 + 2T$$

$$G = T + a + 10 \text{ 耗}$$

$$D_3 = D_1 + 2G$$

$$M = \frac{1}{10} T + 2 \text{ 耗}$$

$$D_4 = D_3 - 2.5d - 3 \text{ 耗}$$

$$d' = d + 3 \text{ 耗}$$

$$F = G + 2.5d + 3 \text{ 耗}$$

$$a = \frac{1}{10} T + 4 \text{ 耗}$$

$$K = 1.25T + 8 \text{ 耗}$$

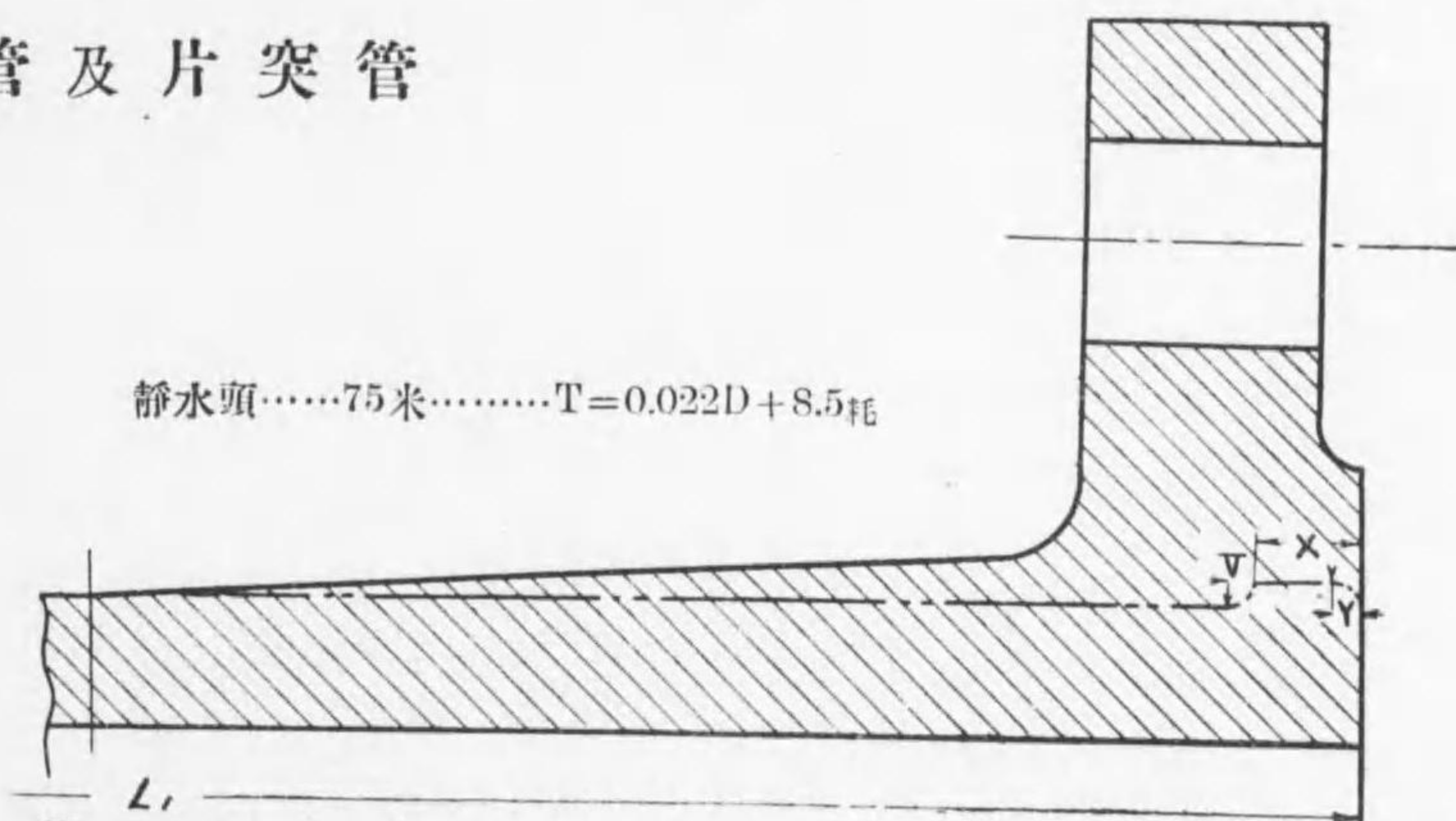
$$D_1 = D$$

第二號

公稱 管徑 D	管厚 T	實外徑 D ₂	突縁寸法						節 回 徑 D ₄	ホ-ルト寸法		
D	T	D ₂	F	D ₃	K	D ₃	G	M	D ₄	d	d'	n'
75	10.2	95.4	68	211	21	125	25	3	168	16.0	19.0	4
100	10.7	121.4	69	238	22	152	26	"	195	"	"	"
125	11.3	147.6	"	263	"	177	"	"	220	"	"	6
150	11.8	173.6	70	290	23	204	27	"	247	"	"	"
200	12.9	225.8	71	342	24	256	28	"	299	"	"	8
250	14.0	278.0	80	410	26	308	29	"	360	19.0	22.0	"
300	15.1	336.2	82	404	27	392	31	4	414	"	"	10
350	16.2	382.4	90	530	28	414	32	"	472	22.0	25.0	"
400	17.3	434.6	91	582	30	466	33	"	524	"	"	12
450	18.4	486.8	101	652	31	518	34	"	585	25.5	28.5	"
500	19.5	539.0	103	706	32	572	36	"	639	"	"	"
600	21.7	643.4	105	810	35	676	38	"	743	"	"	16
700	23.9	747.8	114	928	38	780	40	"	854	28.5	31.5	"
800	26.1	852.2	117	1034	41	886	43	5	960	"	"	20
900	28.3	956.6	128	1156	44	990	45	"	1073	32.0	35.0	"
1000	30.5	1061.0	131	1262	46	1096	48	"	1179	"	"	24
1100	32.7	1165.4	133	1366	49	1200	50	"	1283	"	"	"
1200	34.9	1269.8	135	1470	52	1304	52	"	1387	"	"	28
1350	38.2	1426.4	146	1642	56	1462	56	6	1552	35.0	38.0	"
1500	41.5	1583.0	150	1800	60	1620	60	"	1710	"	"	32

※ 承口、挿口及直部一米ノ重量ハ有效數字三桁ヲ取り以下ヲ四捨五入トセルヲ以テ之等ノ合計ハ必シモ一本

管及片突管



第二表

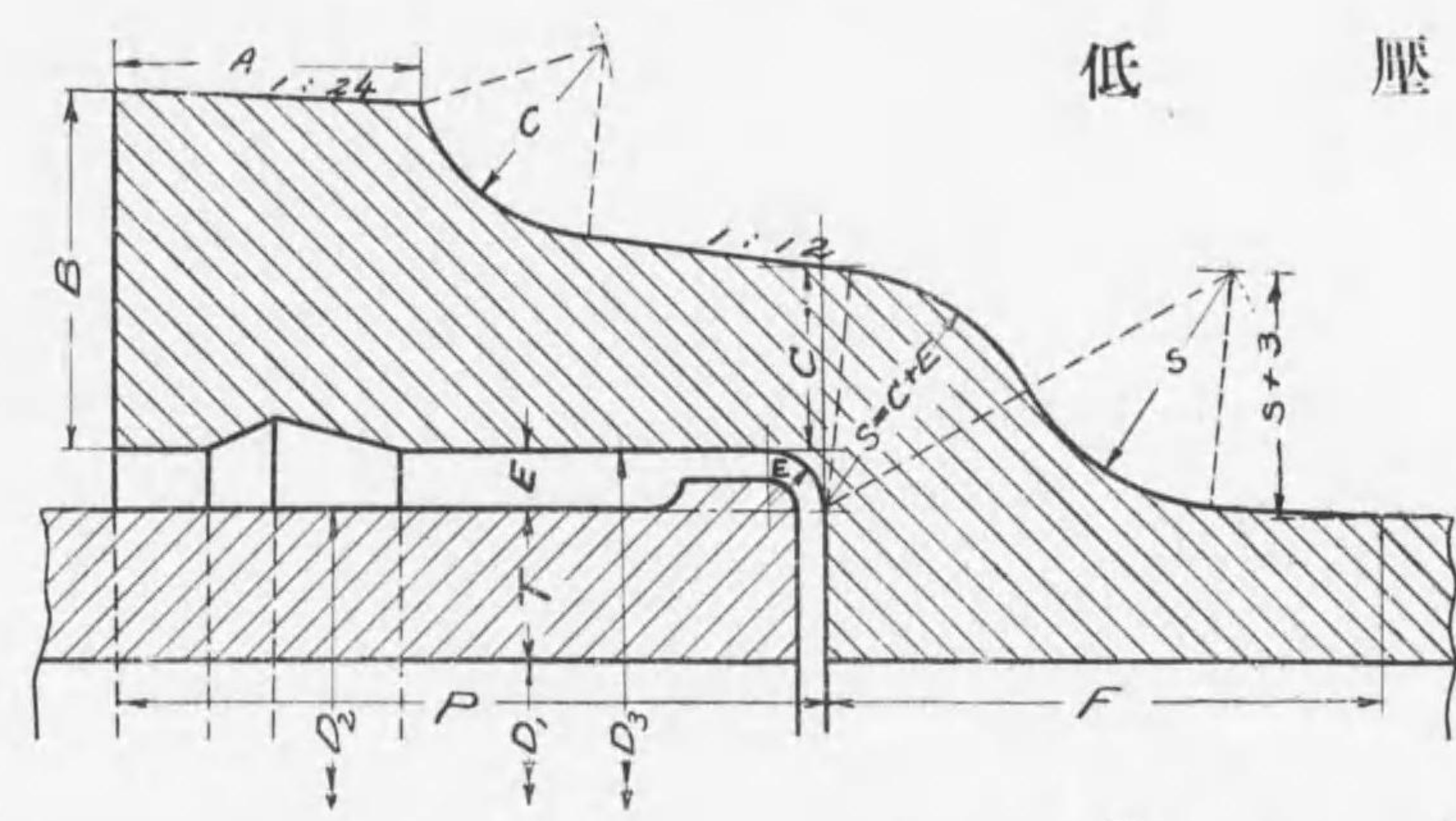
公稱 管徑 D	挿口 寸法 L ₂	挿口寸法			重			量 ※		公稱 管徑 D
		V	X	Y	突縁部	挿口突部	直部一米	突縁管	片突管	
75	100	5	15	4	5.89	.174	19.7	70.7	65.0	75
100	"	"	"	"	7.34	.220	26.8	95.1	87.9	100
125	"	"	"	"	8.35	.265	34.8	121.0	113.0	125
150	"	"	"	"	9.98	.310	43.1	150.0	140.0	150
200	"	"	"	"	12.80	.401	62.1	212.0	200.0	200
250	"	"	20	"	18.50	.652	83.6	288.0	270.0	250
300	120	"	"	"	23.50	.773	108.0	370.0	347.0	300
350	"	"	"	"	30.10	.893	134.0	463.0	433.0	350
400	"	6	25	5	36.00	1.540	163.0	725.0	691.0	400
450	"	"	"	"	45.20	1.720	195.0	870.0	827.0	450
500	"	"	"	"	52.00	1.880	229.0	1020.0	970.0	500
600	"	"	"	"	66.70	2.240	305.0	1350.0	1290.0	600
700	"	"	"	"	69.20	2.600	391.0	1740.0	1660.0	700
800	140	"	"	"	113.00	2.960	488.0	2180.0	2070.0	800
900	"	"	"	"	146.00	3.320	594.0	2670.0	2530.0	900
1000	"	"	"	6	170.00	3.620	711.0	3180.0	3020.0	1000
1100	"	"	"	"	200.00	3.970	838.0	3750.0	3560.0	1100
1200	"	"	"	"	232.00	4.330	975.0	4360.0	4140.0	1200
1350	160	"	"	"	304.00	4.860	1200.0	5410.0	5110.0	1350
1500	"	"	"	"	366.00	5.390	1450.0	6520.0	6160.0	1500

總量ト一致セス

有效長三米

有效長四米

低 壓



第 一 號

公稱内徑 D	管 厚 T	實 内 徑 D ₁	實 外 徑 D ₂	D ₃	承 口 寸 法						
					A	B	C	P	E	F	S
75	9.7	76.0	95.4	115.4	35	30	15	90	10	71.4	25
100	10.1	101.2	121.4	141.4	"	31	16	95	"	73.1	26
125	10.5	126.6	147.6	167.6	"	32	"	"	"	"	"
150	10.9	151.8	173.6	193.6	"	34	17	100	"	74.9	27
200	11.7	202.4	225.8	245.8	40	36	18	"	"	76.7	28
250	12.5	253.0	278.0	300.0	"	38	19	105	11	80.1	30
300	13.3	303.6	330.2	351.2	"	40	20	"	"	81.8	31
350	14.1	354.2	382.4	403.4	"	42	21	110	"	83.6	32
400	14.9	404.8	434.6	456.6	45	45	23	"	"	87.0	34
450	15.7	455.4	486.8	508.8	"	47	24	115	"	88.8	35
500	16.5	506.0	539.0	563.0	"	49	25	"	12	92.2	37
600	18.1	607.2	643.4	667.4	50	53	27	120	"	95.7	39
700	19.7	708.4	747.8	770.8	"	58	29	125	"	99.2	41
800	21.3	809.6	852.2	876.2	55	62	31	130	"	102.6	43
900	22.9	910.8	956.6	980.6	"	67	34	135	"	107.8	46
1000	24.5	1012.0	1061.0	1087.0	60	71	36	140	13	113.0	49
1100	26.1	1132.0	1185.4	1191.4	"	74	38	145	"	116.6	51
1200	27.7	1214.4	1269.8	1295.8	65	77	40	150	"	120.0	53
1350	30.1	1366.2	1426.4	1452.4	70	80	43	160	"	125.2	56
1500	32.5	1518.0	1583.0	1609.0	75	83	47	165	"	132.0	60

※ 承口、挿口及直部一米ノ重量ハ有效數字三桁ヲ取り以下ヲ四捨五入トセルヲ以テ之等ノ合計ハ必シモ一本

直 管

靜水頭……45米……T=0.016D+8.5耗

直徑 75 ~ 450 ……………

直徑 500 ~ 900 ……………

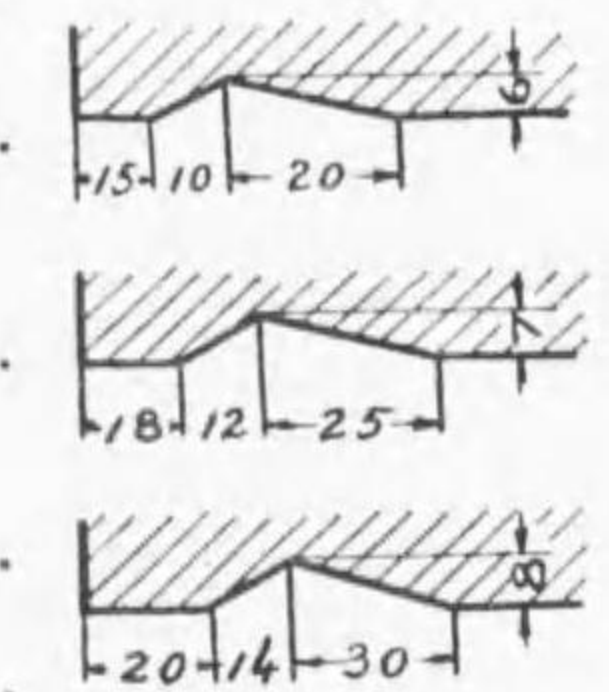
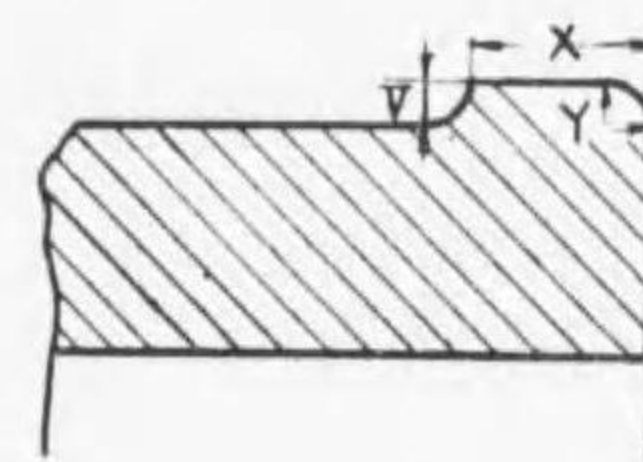
直徑 1,000 ~ 1,500 ……………

$A = T + 27$ 耗 $F = \sqrt{4S^2 - (S+3)^2} + 30$ 耗

$B = 2T + 10$ 耗 $P = 0.05 D + 90$ 耗

$C = T + 5$ 耗 $S = C + E$

但シ式中Tハ普通壓直管ノ厚



第 一 表

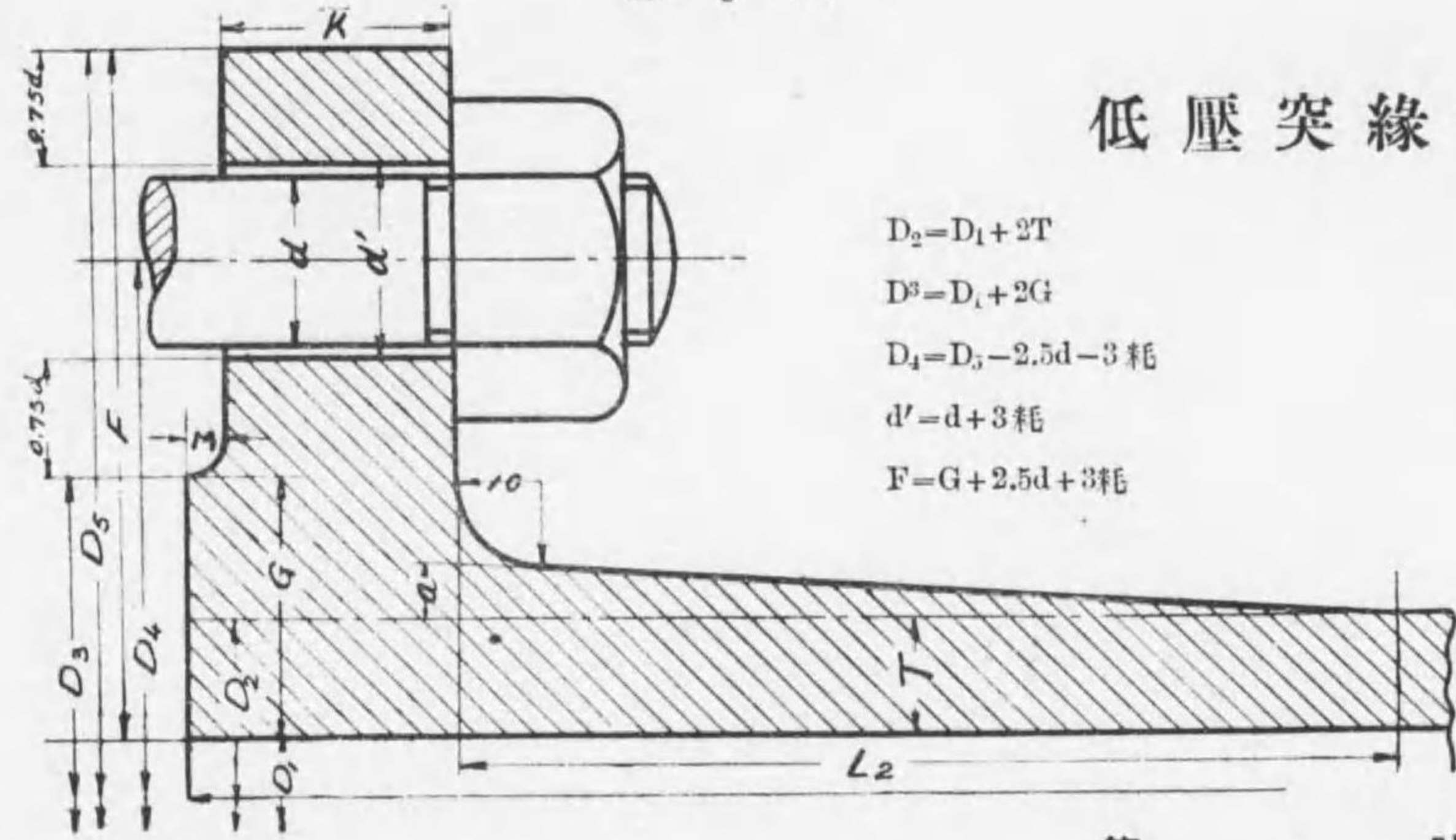
挿 口 寸 法			重 量 ※				公稱内徑 D
V	X	Y	承口突部	挿口突部	直部一米	一本總量	
5	15	4	7.71	.174	18.8	64.3	75
"	"	"	10.10	.220	25.4	86.6	100
"	"	"	12.00	.265	32.6	110.0	125
"	"	"	15.30	.310	40.1	136.0	150
"	"	"	20.60	.401	56.7	248.0	200
"	20	"	28.00	.652	75.1	329.0	250
"	"	"	33.60	.773	95.3	416.0	300
"	"	"	41.60	.893	117.0	512.0	350
6	25	5	52.50	1.540	141.0	620.0	400
"	"	"	63.00	1.720	167.0	734.0	450
"	"	"	75.30	1.880	195.0	857.0	500
"	"	"	97.20	2.240	256.0	1120.0	600
"	"	"	125.00	2.600	324.0	1430.0	700
"	"	"	160.00	2.960	400.0	1760.0	800
"	"	"	202.00	3.320	484.0	2140.0	900
"	"	6	244.00	3.620	574.0	2550.0	1000
"	"	"	290.00	3.970	671.0	2980.0	1100
"	"	"	344.00	4.330	778.0	3460.0	1200
"	"	"	434.00	4.860	951.0	4240.0	1350
"	"	"	518.00	5.390	1140.0	5080.0	1500

有效長三米

有效長四米

總量ト一致セス

低壓突緣管



$$D_2 = D_1 + 2T$$

$$D_3 = D_1 + 2G$$

$$D_4 = D_3 - 2.5d - 3 \text{ 耗}$$

$$d' = d + 3 \text{ 耗}$$

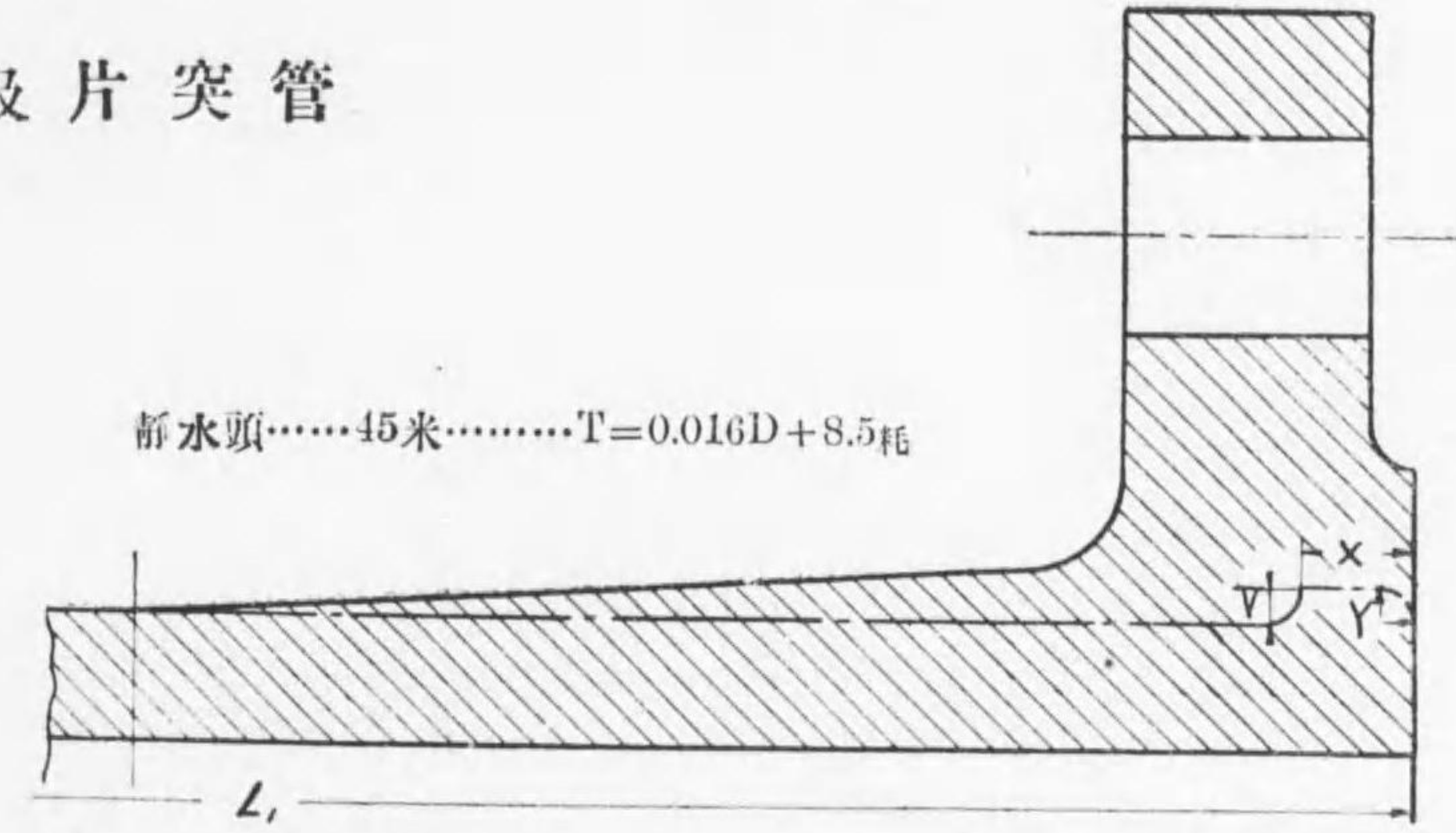
$$F = G + 2.5d + 3 \text{ 耗}$$

第一號

公稱 管徑 D	管厚 T	實內徑 D ₁	實外徑 D ₂	突緣寸法					節圓 內徑 D ₁	ボルト寸法			
				F	D ₃	K	D ₄	G		M	d	d'	n'
75	9.7	76.0	95.4	67.5	211	21	125	24.5	3	168	16.0	19.0	4
100	10.1	101.2	121.4	68.4	238	22	152	25.4	"	195	"	"	"
125	10.5	126.6	147.6	68.2	263	"	177	25.2	"	220	"	"	6
150	10.9	151.8	173.6	69.1	290	23	204	26.1	"	247	"	"	"
200	11.7	202.4	235.8	69.8	342	24	256	26.8	"	299	"	"	8
250	12.5	253.0	278.0	78.5	410	26	308	27.5	"	360	19.0	22.0	"
300	13.3	303.6	330.2	80.2	464	27	362	29.2	4	414	"	"	10
350	14.1	354.2	382.4	87.9	530	28	414	29.9	"	472	22.0	25.0	"
400	14.0	404.8	434.6	88.6	582	30	466	30.6	"	524	"	"	12
450	15.7	455.4	486.8	98.3	652	31	518	31.3	"	585	25.5	28.5	"
500	16.5	506.0	539.0	100.0	706	32	572	33.0	"	639	"	"	"
600	18.1	607.2	643.4	101.4	810	35	676	34.4	"	743	"	"	16
700	19.7	708.4	747.8	109.8	928	38	780	35.8	"	854	28.5	31.5	"
800	21.3	809.6	852.2	112.2	1034	41	886	38.2	5	960	"	"	20
900	22.9	910.8	956.6	122.6	1156	44	990	39.6	"	1073	32.0	35.0	"
1000	24.5	1012.0	1061.0	125.0	1262	46	1096	42.0	"	1179	"	"	24
1100	26.1	1132.0	1165.4	126.4	1366	49	1200	43.4	"	1283	"	"	"
1200	27.7	1214.4	1269.8	127.8	1470	52	1304	44.8	"	1387	"	"	28
1350	30.1	1366.2	1426.4	137.9	1642	56	1462	47.9	6	1552	35.0	38.0	"
1500	32.5	1518.0	1583.0	141.0	1800	60	1620	51.0	"	1710	"	"	32

※ 承口、挿口及直部一米ノ重量ハ有效數字三桁ヲ取り以下ヲ四捨五入トセルヲ以テ之等ノ合計ハ必シモ一本

及片突管



第二號

隅肉 a	挿口寸法 L ₂	挿口寸法			重 量 ※					公稱 管徑 D
		V	X	Y	突緣部	挿口突部	直部一米	突緣管	片突管	
5	100	5	15	4	5.89	.174	18.8	68.2	62.5	75
"	"	"	"	"	7.34	.220	25.4	91.0	83.8	100
"	"	"	"	"	8.35	.265	32.6	114.0	106.0	125
"	"	"	"	"	9.98	.310	40.1	140.0	131.0	150
"	"	"	"	"	12.80	.401	56.7	196.0	183.0	200
"	"	"	20	"	18.50	.652	75.1	262.0	244.0	250
6	120	"	"	"	23.50	.773	95.3	333.0	310.0	300
"	"	"	"	"	30.10	.893	117.0	413.0	383.0	350
"	"	6	25	5	36.00	1.540	141.0	638.0	603.0	400
"	"	"	"	"	45.20	1.720	167.0	760.0	716.0	450
"	"	"	"	"	52.00	1.880	195.0	884.0	834.0	500
"	"	"	"	"	66.70	2.240	256.0	1160.0	1090.0	600
"	"	"	"	"	89.20	2.600	324.0	1480.0	1390.0	700
7	140	"	"	"	113.00	2.960	400.0	1830.0	1720.0	800
"	"	"	"	"	146.00	3.320	484.0	2230.0	2080.0	900
"	"	"	"	6	170.00	3.620	574.0	2640.0	2470.0	1000
"	"	"	"	"	200.00	3.970	671.0	3090.0	2890.0	1100
"	"	"	"	"	232.00	4.330	778.0	3580.0	3350.0	1200
8	160	"	"	"	304.00	4.860	951.0	4410.0	4160.0	1350
"	"	"	"	"	366.00	5.390	1140.0	5290.0	4930.0	1500

總量ト一致セズ

有效長三米

有效長四米

三 承 十 字 管

第三號第一表 (其ノ一)

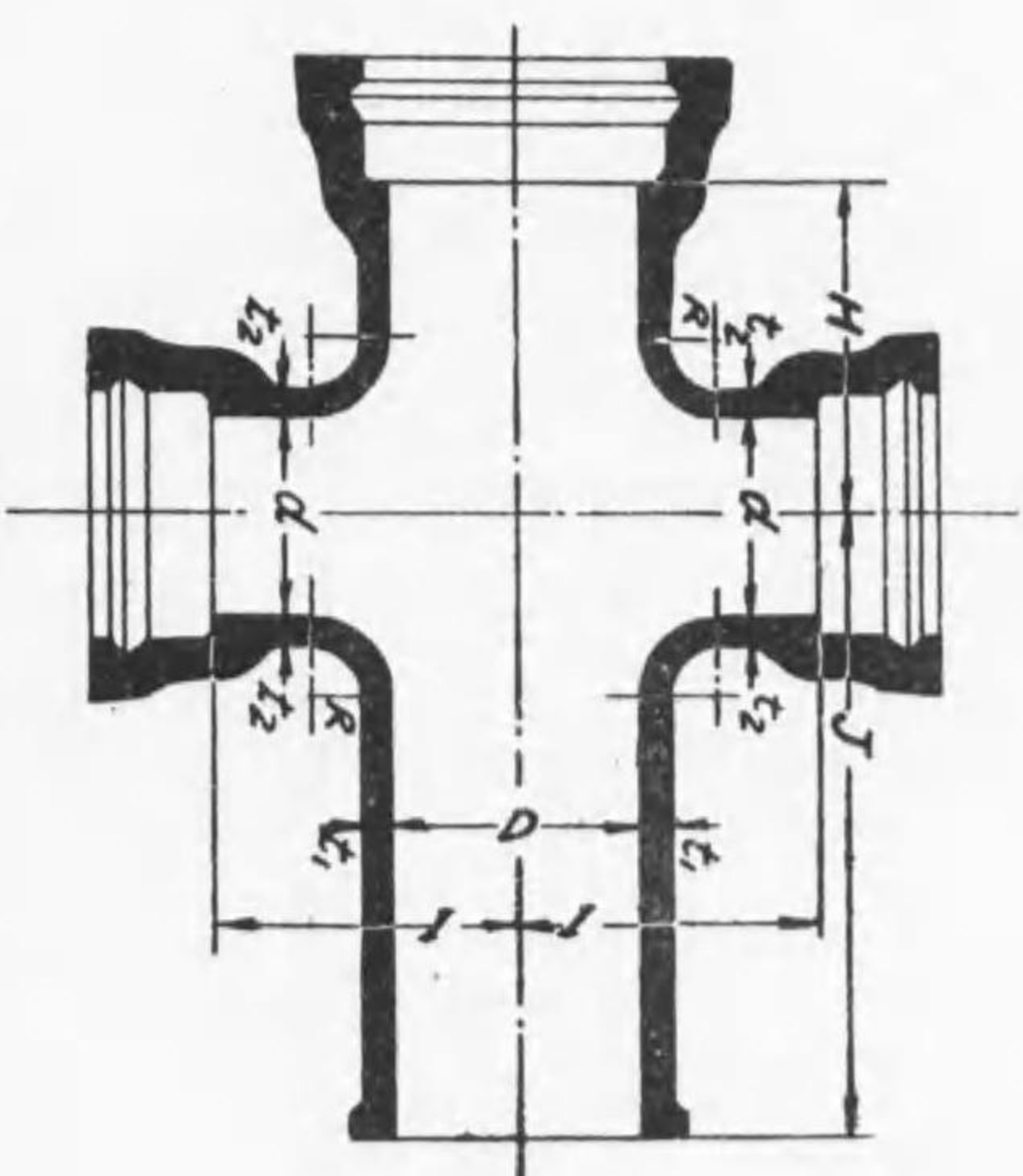
公稱内徑	管厚	R	枝管ノ長さ			重量
			H	I	J	
75	11.2	50	200	170	730	47.8
100	11.8	"	"	180	"	57.6
"	"	"	210	"	750	64.8
127	12.4	"	"	190	730	68.0
"	"	"	220	200	750	75.9
"	"	"	230	"	760	82.0
150	13.0	"	210	"	740	80.6
"	"	"	220	210	750	88.3
"	"	"	230	"	760	94.5
"	"	"	250	220	780	104.0
200	14.2	"	230	230	750	114.0
"	"	"	240	240	760	122.0
"	"	"	250	250	780	134.0
"	"	"	290	290	800	152.0
250	15.4	50	240	"	760	147.0
"	"	60	250	270	770	156.0
"	"	"	270	280	780	167.0
"	"	"	300	"	810	187.0
"	"	"	320	290	830	211.0
300	16.6	50	240	280	760	179.0
"	"	60	260	300	770	190.0
"	"	"	280	"	780	202.0

(普通壓及低壓用)

$$H = P + \frac{D^2}{10} + R + \frac{A}{2} + 30PE$$

$$I = f + \frac{A}{10} + R + \frac{D^2}{2}$$

$$J = P + \frac{A}{2} + 600PE$$



(承口及挿口ノ寸法ハ直管ニ同シ)

三 承 十 字 管

(其ノ二)

公稱内徑	管厚	R	枝管ノ長さ			重量
			H	I	J	
300	16.6	60	300	310	810	223.0
"	"	70	340	330	830	253.0
"	"	"	360	"	860	274.0
350	17.8	60	260	320	760	220.0
"	"	"	270	"	770	228.0
"	"	"	280	330	790	242.0
"	17.8	60	310	"	810	265.0
"	"	70	340	350	840	295.0
"	"	"	370	360	860	320.0
"	"	"	390	"	880	349.0
400	16.0	60	270	340	760	205.0
"	"	"	280	350	770	215.0
"	"	"	300	"	790	230.0
"	18.0	70	330	370	810	251.0
"	"	"	350	380	840	268.0
"	"	"	390	390	860	273.0
"	"	80	410	400	890	309.0
"	"	"	450	420	910	354.0
450	16.0	60	270	370	770	214.0
"	"	"	290	390	780	225.0
"	"	70	310	390	790	242.0
"	"	"	330	"	820	267.0
"	"	80	370	410	840	303.0

(其ノ三)

公稱内徑	管厚	R	枝管ノ長さ			重量
			H	I	J	
450	20.2	80	390	420	870	434.0
"	"	"	420	"	890	465.0
"	"	90	450	440	920	512.0
500	21.5	60	230	390	770	365.0
"	"	70	300	400	780	379.0
"	"	"	330	410	790	396.0
"	18.0	80	340	420	820	421.0
"	"	"	380	440	840	462.0
"	"	80	400	440	870	491.0
"	"	"	430	450	880	529.0
"	21.5	90	460	470	920	581.0
"	"	100	490	"	940	629.0
"	"	"	520	490	970	670.0
600	23.9	60	340	470	800	517.0
"	"	70	370	480	820	548.0
"	"	"	390	490	850	585.0
"	20.0	90	430	500	870	623.0
"	"	"	450	510	900	663.0
"	23.0	100	480	520	920	716.0
"	"	"	510	530	950	771.0
"	"	110	540	540	970	819.0
"	"	"	600	570	1,020	934.0

三承十字管

(其ノ四)

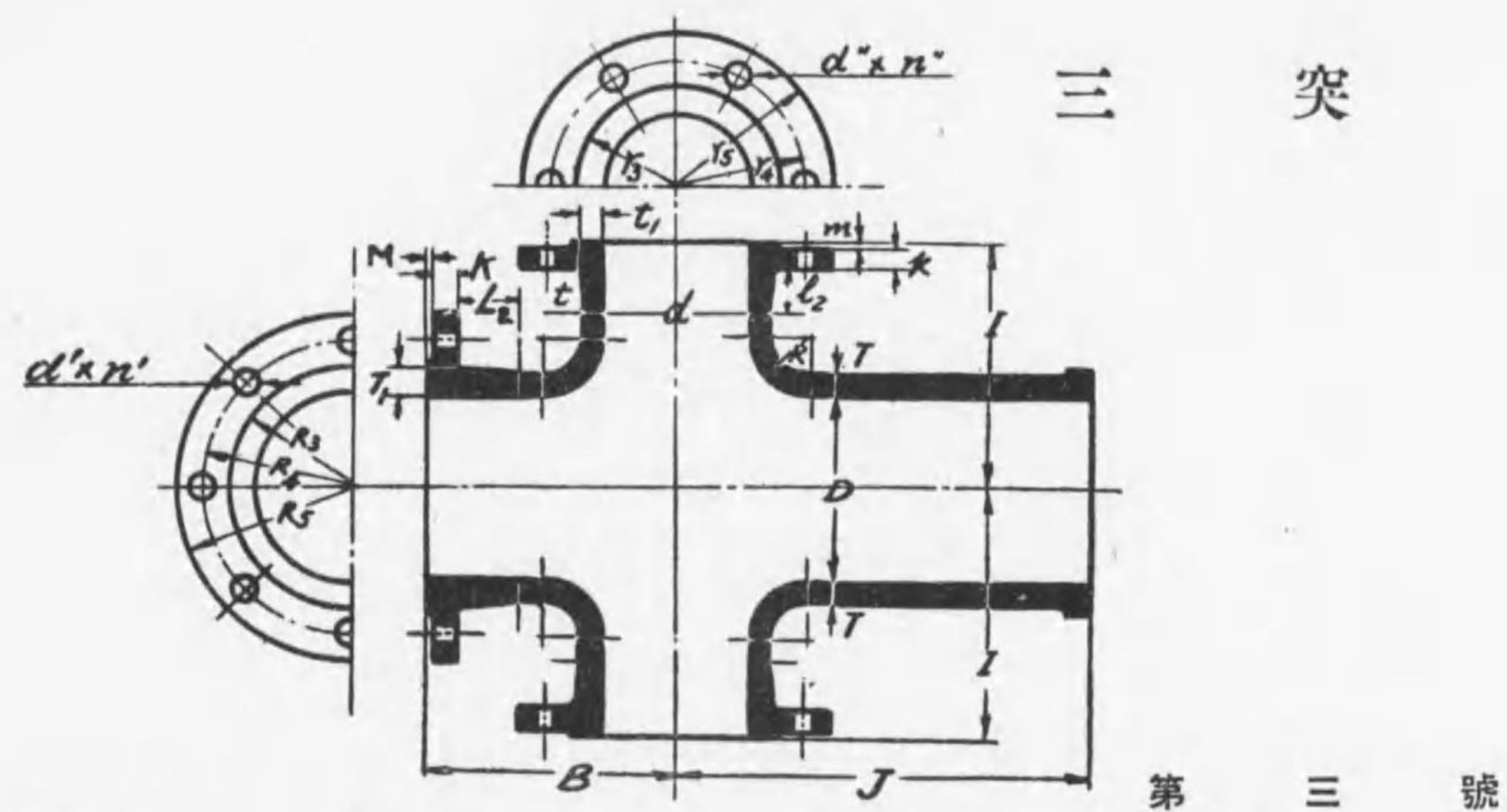
(其ノ五)

公称内径 D	管径 d	管厚		R	枝管ノ長さ			重量 重量
		t ₁	t ₂		H	I	J	
700	150	26.3	17.0	80	350	520	800	652.0
"	200	"	18.0	"	380	530	830	691.0
"	250	"	19.0	90	410	550	850	745.0
"	300	"	20.0	"	440	"	880	785.0
"	350	"	21.0	"	460	580	900	825.0
"	400	"	23.0	100	500	580	930	894.0
"	450	"	24.0	"	520	"	950	939.0
"	500	"	25.0	"	550	600	980	1000.0
"	600	"	26.3	110	610	620	1030	1130.0
"	700	"	"	"	660	630	1080	1250.0
"	800	28.7	17.0	80	550	570	810	833.0
"	500	"	18.0	"	360	580	830	868.0
"	250	"	19.0	90	430	600	860	926.0
"	300	"	20.0	"	450	"	880	960.0
"	350	"	21.0	"	480	610	910	1010.0
"	400	"	23.0	100	510	630	930	1080.0
"	450	"	24.0	"	540	"	960	1140.0
"	500	"	25.0	110	570	650	980	1200.0
"	600	"	27.0	"	620	670	1030	1330.0
"	700	"	28.7	120	680	690	1080	1500.0
"	800	"	"	"	730	700	1130	1630.0
900	200	31.1	18.0	90	420	640	840	1080.0

三承十字管

(其ノ六)

公称内径 D	管径 d	管厚		R	枝管ノ長さ			重量 重量
		t ₁	t ₂		H	I	J	
1100	500	36.0	25.0	120	630	810	1000	1970.0
"	600	"	27.0	"	680	830	1050	2120.0
"	700	"	29.0	130	740	850	1100	2310.0
"	800	"	31.0	"	790	860	1150	2510.0
"	900	"	34.0	140	850	890	1200	2790.0
"	1000	"	36.0	"	900	900	1250	3020.0
"	1100	"	"	150	960	930	1300	3290.0
1300	400	38.4	23.0	110	580	840	950	2110.0
"	450	"	24.0	120	610	850	970	2190.0
"	500	"	25.0	"	640	860	1000	2270.0
"	600	"	27.0	130	700	890	1050	2460.0
"	700	"	29.0	"	750	900	1100	2640.0
"	800	"	31.0	140	810	920	1150	2860.0
"	900	"	34.0	"	860	940	1200	3120.0
"	1000	"	36.0	150	920	960	1250	3400.0
"	1100	"	38.4	"	970	980	1300	3700.0
"	1200	"	"	"	1020	990	1350	4030.0



公稱内徑		管 厚		R	枝 管 ノ 長 サ					本 管 突				
D	d	T	t		B	I	J	L ₂	l ₂	T ₁	K	M	R ₃	R ₁
75	75	11.2	11.2	50	249	219	730	100	100	16.2	21	3	105.5	84.0
100	"	11.8	11.8	"	252	231	"	"	"	16.8	22	"	119.0	97.5
"	100	"	"	"	265	235	750	"	"	"	"	"	"	"
125	75	12.4	12.4	"	255	244	730	"	"	17.4	"	"	131.5	110.0
"	100	"	"	"	267	247	750	"	"	"	"	"	"	"
"	125	"	"	"	280	250	760	"	"	"	"	"	"	"
150	75	13.0	13.0	"	253	256	740	"	"	18.0	23	"	145.0	123.5
"	100	"	"	"	271	260	750	"	"	"	"	"	"	"
"	125	"	"	"	284	262	760	"	"	"	"	"	"	"
"	150	"	"	"	296	266	780	"	"	"	"	"	"	"
200	100	14.2	14.2	"	277	285	750	"	"	19.2	24	"	171.0	149.5
"	125	"	"	"	289	287	760	"	"	"	"	"	"	"
"	150	"	"	60	312	301	780	"	"	"	"	"	"	"
"	200	"	"	"	337	307	800	"	"	"	"	"	"	"
250	100	15.4	15.4	50	284	310	760	"	"	20.4	26	"	205.0	180.0
"	125	"	"	60	306	322	770	"	"	"	"	"	"	"
"	150	"	"	"	319	326	780	"	"	"	"	"	"	"
"	200	"	"	"	344	332	810	"	"	"	"	"	"	"
"	250	"	"	"	369	339	830	"	"	"	"	"	"	"
300	100	16.6	16.0	50	311	335	760	120	"	22.6	27	4	232.0	207.0

十 字 管

(普通壓及低壓用)

$$B = I_2 + M + K + \frac{D}{10} + R + \frac{d}{2} + 3 \text{ 耗}$$

$$I = l_2 + m + k + \frac{d}{10} + R + \frac{D}{2}$$

$$J = P + \frac{d}{2} + 600 \text{ 耗}$$

$$T_1 = T + a$$

$$t_1 = t + a$$

(挿口及突縁ノ寸法ハ直管ニ同シ)

第 二 表 (其ノ一)

縁 (D)	枝 管 突					縁 (d)	重 量	公稱内徑					
	R ₃	ボールド孔 d' n'	t ₁	k	m			r ₃	r ₄	D	d		
62.5	19	4	16.2	21	3	135.5	84.0	62.5	19	4	45.9	75	75
76.0	"	"	16.8	"	"	"	"	"	"	"	55.0	100	"
"	"	"	"	22	"	119.0	97.5	76.0	"	"	61.2	"	100
83.5	"	6	17.4	"	"	105.5	84.0	62.5	"	"	64.9	125	75
"	"	"	"	"	"	119.0	97.5	76.0	"	"	71.3	"	100
"	"	"	"	"	"	131.5	110.0	88.5	"	6	76.6	"	125
102.0	"	"	18.0	21	"	105.5	84.0	62.5	"	4	76.3	150	75
"	"	"	"	22	"	119.0	97.5	76.0	"	"	82.4	"	100
"	"	"	"	"	"	131.5	110.0	88.5	"	6	87.6	"	125
"	"	"	"	23	"	145.0	123.5	102.0	"	"	93.3	"	150
128.0	"	8	19.2	22	"	119.0	97.5	76.0	"	4	103.0	200	100
"	"	"	"	"	"	131.5	110.0	88.5	"	6	114.0	"	125
"	"	"	"	23	"	145.0	123.5	102.0	"	"	123.0	"	150
"	"	"	"	24	"	171.0	149.5	128.0	"	8	137.0	"	200
154.0	22	"	20.4	22	"	119.0	97.5	76.0	"	4	140.0	250	100
"	"	"	"	"	"	131.5	110.0	88.5	"	6	149.0	"	125
"	"	"	"	23	"	145.0	123.5	102.0	"	"	157.0	"	150
"	"	"	"	24	"	171.0	149.5	128.0	"	8	174.0	"	200
"	"	"	"	26	"	205.0	180.0	154.0	22	"	196.0	"	250
181.0	"	10	21.0	22	"	119.0	97.5	76.0	19	4	176.0	300	100

三 突 十

(共 2)

公稱内徑		管 厚		R	枝 管 ノ 長 サ					本 管 突				
D	d	T	t		B	I	J	L ₂	l ₂	T ₁	K	M	R ₅	R ₄
300	125	16.6	16.0	60	333	347	770	120	100	22.6	27	4	232.0	207.0
"	150	"	16.6	"	346	351	780	"	"	"	"	"	"	"
"	200	"	"	"	371	357	810	"	"	"	"	"	"	"
"	250	"	"	70	406	374	830	"	"	"	"	"	"	"
"	300	"	"	"	431	401	860	"	120	"	"	"	"	"
350	100	17.8	16.0	60	327	370	760	"	100	23.8	23	"	265.0	236.0
"	125	"	"	"	339	372	770	"	"	"	"	"	"	"
"	150	"	17.0	"	352	376	790	"	"	"	"	"	"	"
"	200	"	17.8	"	377	382	810	"	"	"	"	"	"	"
"	250	"	"	70	412	399	840	"	"	"	"	"	"	"
"	300	"	"	"	437	426	860	"	120	"	"	"	"	"
"	350	"	"	"	462	432	890	"	"	"	"	"	"	"
400	100	19.0	16.0	60	334	395	760	"	100	25.0	30	"	291.0	262.0
"	125	"	"	"	346	397	770	"	"	"	"	"	"	"
"	150	"	17.0	"	359	401	790	"	"	"	"	"	"	"
"	200	"	18.0	70	394	417	810	"	"	"	"	"	"	"
"	250	"	19.0	"	419	424	840	"	"	"	"	"	"	"
"	300	"	"	80	454	461	860	"	120	"	"	"	"	"
"	350	"	"	"	479	467	890	"	"	"	"	"	"	"
"	400	"	"	90	514	487	910	"	"	"	"	"	"	"
450	100	20.2	16.0	60	340	420	770	"	100	26.2	31	"	326.0	292.5
"	125	"	"	"	352	422	780	"	"	"	"	"	"	"
"	150	"	17.0	70	375	436	790	"	"	"	"	"	"	"
"	200	"	18.0	"	400	442	820	"	"	"	"	"	"	"
"	250	"	19.0	80	435	459	840	"	"	"	"	"	"	"
"	300	"	20.0	"	460	486	870	"	120	"	"	"	"	"
"	350	"	20.2	"	485	492	890	"	"	"	"	"	"	"
"	400	"	"	90	520	509	920	"	"	"	"	"	"	"
"	450	"	"	"	545	515	940	"	"	"	"	"	"	"
500	100	21.5	16.0	60	346	445	770	"	100	27.5	32	"	353.0	319.5
"	125	"	"	"	358	447	780	"	"	"	"	"	"	"
"	150	"	17.0	70	381	461	790	"	"	"	"	"	"	"
"	200	"	18.0	"	406	467	820	"	"	"	"	"	"	"
"	250	"	19.0	80	441	484	840	"	"	"	"	"	"	"
"	300	"	20.0	"	466	511	870	"	120	"	"	"	"	"
"	350	"	21.0	"	491	517	890	"	"	"	"	"	"	"
"	400	"	21.5	90	526	534	920	"	"	"	"	"	"	"

字 管

線 (D)			枝 管 突 線 (d)							重 量 kg	公稱内徑		
R ₅	ボールト孔 d' n'		t ₁	k	m	r ₅	r ₄	r ₃	ボールト孔 d' n'		D	d	
181.0	22.0	10	21.0	23	3	131.5	110.0	88.5	19.0	6	185.0	300	125
"	"	"	21.6	23	"	145.0	123.5	102.0	"	"	195.0	"	150
"	"	"	"	24	"	171.0	149.5	128.0	"	8	213.0	"	200
"	"	"	"	26	"	205.0	180.0	154.0	22.0	"	240.0	"	250
"	"	"	22.6	27	4	232.0	207.0	181.0	"	10	269.0	"	300
207.0	25.0	"	21.0	22	3	119.0	97.5	76.0	19.0	4	207.0	350	100
"	"	"	"	"	"	131.5	110.0	88.5	"	6	224.0	"	125
"	"	"	22.0	23	"	145.0	123.5	102.0	"	"	233.0	"	150
"	"	"	22.8	24	"	171.0	149.5	128.0	"	8	256.0	"	200
"	"	"	"	26	"	205.0	180.0	154.0	22.0	"	286.0	"	250
"	"	"	23.8	27	4	232.0	207.0	181.0	"	10	315.0	"	300
"	"	"	"	28	"	265.0	236.0	207.0	25.0	"	345.0	"	350
233.0	"	12	21.0	22	3	119.0	97.5	76.0	19.0	4	259.0	400	100
"	"	"	"	"	"	131.5	110.0	88.5	"	6	263.0	"	125
"	"	"	22.0	23	"	145.0	123.5	102.0	"	"	280.0	"	150
"	"	"	23.0	24	"	171.0	149.5	128.0	"	8	304.0	"	200
"	"	"	24.0	26	"	205.0	180.0	154.0	22.0	"	334.0	"	250
"	"	"	25.0	27	4	232.0	207.0	181.0	"	10	367.0	"	300
"	"	"	"	23	"	265.0	236.0	207.0	25.0	"	399.0	"	350
"	"	"	"	30	"	291.0	262.0	233.0	"	12	436.0	"	400
259.0	28.5	"	21.0	22	3	119.0	97.5	76.0	19.0	4	309.0	450	100
"	"	"	"	"	"	131.5	110.0	88.5	"	6	318.0	"	125
"	"	"	22.0	23	"	145.0	123.5	102.0	"	"	333.0	"	150
"	"	"	23.0	24	"	171.0	149.5	128.0	"	8	357.0	"	200
"	"	"	24.0	26	"	205.0	180.0	154.0	22.0	"	391.0	"	250
"	"	"	26.0	27	4	232.0	207.0	181.0	"	10	429.0	"	300
"	"	"	26.2	28	"	265.0	236.0	207.0	25.0	"	462.0	"	350
"	"	"	"	30	"	291.0	262.0	233.0	"	12	507.0	"	400
"	"	"	"	31	"	326.0	292.5	259.0	28.5	"	542.0	"	450
286.0	"	"	21.0	22	3	119.0	97.5	76.0	19.0	4	360.0	500	100
"	"	"	"	"	"	131.5	110.0	88.5	"	6	369.0	"	125
"	"	"	22.0	23	"	145.0	123.5	102.0	"	"	386.0	"	150
"	"	"	23.0	24	"	171.0	149.5	128.0	"	8	412.0	"	200
"	"	"	24.0	26	"	205.0	180.0	154.0	22.0	"	447.0	"	250
"	"	"	26.0	27	4	232.0	207.0	181.0	"	10	486.0	"	300
"	"	"	27.0	28	"	265.0	236.0	207.0	25.0	"	524.0	"	350
"	"	"	27.5	30	"	291.0	262.0	233.0	"	12	560.0	"	400

三 突 十

(其ノ三)

公称内径		管 厚		R	枝 管 ノ 長 サ					本 管 突				
D	d	T	t		B	I	J	L ₂₀	L ₂	T ₁	K	M	R ₁	R ₂
500	450	21.5	21.5	90	551	540	940	120	130	27.5	32	4	353.0	319.5
"	500	"	"	100	561	556	970	"	"	"	"	"	"	"
600	150	23.9	17.0	80	404	521	800	"	100	29.9	35	"	405.0	371.5
"	200	"	18.0	"	429	527	820	"	"	"	"	"	"	"
"	250	"	19.0	"	454	534	850	"	"	"	"	"	"	"
"	300	"	20.0	90	489	571	870	"	120	"	"	"	"	"
"	350	"	21.0	"	514	577	900	"	"	"	"	"	"	"
"	400	"	23.0	"	539	584	920	"	"	"	"	"	"	"
"	450	"	23.9	100	574	600	950	"	"	"	"	"	"	"
"	500	"	"	"	599	606	970	"	"	"	"	"	"	"
"	600	"	"	110	659	629	1020	"	"	"	"	"	"	"
700	150	26.3	17.0	80	420	570	800	"	100	32.3	38	"	464.0	427.0
"	200	"	18.0	"	442	577	830	"	"	"	"	"	"	"
"	250	"	19.0	90	477	594	850	"	"	"	"	"	"	"
"	300	"	20.0	"	502	621	880	"	120	"	"	"	"	"
"	350	"	21.0	"	527	627	900	"	"	"	"	"	"	"
"	400	"	23.0	100	562	634	930	"	"	"	"	"	"	"
"	450	"	24.0	"	587	650	950	"	"	"	"	"	"	"
"	500	"	25.0	"	612	656	980	"	"	"	"	"	"	"
"	600	"	26.3	110	672	679	1030	"	"	"	"	"	"	"
"	700	"	"	"	722	692	1080	"	"	"	"	"	"	"
800	150	28.7	17.0	80	451	621	810	140	100	35.7	41	5	517.0	480.0
"	200	"	18.0	"	476	627	830	"	"	"	"	"	"	"
"	250	"	19.0	90	511	644	860	"	"	"	"	"	"	"
"	300	"	20.0	"	536	651	880	"	120	"	"	"	"	"
"	350	"	21.0	"	566	677	910	"	"	"	"	"	"	"
"	400	"	23.0	100	596	694	930	"	"	"	"	"	"	"
"	450	"	24.0	"	621	700	960	"	"	"	"	"	"	"
"	500	"	25.0	110	646	716	980	"	"	"	"	"	"	"
"	600	"	27.0	"	706	729	1030	"	"	"	"	"	"	"
"	700	"	23.7	120	756	752	1080	"	"	"	"	"	"	"
"	800	"	"	"	816	786	1130	"	140	"	"	"	"	"
900	200	31.1	18.0	90	469	637	840	"	100	38.1	44	"	578.0	536.5
"	250	"	19.0	"	521	694	860	"	"	"	"	"	"	"
"	300	"	20.0	"	549	721	890	"	120	"	"	"	"	"
"	350	"	21.0	100	584	737	910	"	"	"	"	"	"	"
"	400	"	23.0	"	609	744	940	"	"	"	"	"	"	"

字 管

線 (D)		枝 管 突							線 (d)		重 量 庇	公 称 内 径	
R ₂	ボ-ルト孔 d' n'	t ₁	k	m	r ₃	r ₄	r ₅	ボ-ルト孔 d'' n''	重 量 庇	D		d	
286.0	28.5 12	27.5	31	4	326.0	292.5	259.0	23.5 12	610.0	500	450		
"	"	"	32	"	353.0	319.5	233.0	"	651.0	"	500		
338.0	" 16	22.0	23	3	145.0	123.5	102.0	19.0 6	503.0	600	150		
"	"	23.0	24	"	171.0	149.5	123.0	" 8	527.0	"	200		
"	"	24.0	26	"	205.0	180.0	154.0	22.0 "	566.0	"	250		
"	"	25.0	27	4	232.0	207.0	181.0	" 10	611.0	"	300		
"	"	27.0	28	"	265.0	236.0	207.0	25.0 "	654.0	"	350		
"	"	29.0	30	"	291.0	262.0	233.0	" 12	691.0	"	400		
"	"	29.9	31	"	326.0	292.5	259.0	23.5 "	761.0	"	450		
"	"	"	32	"	353.0	319.5	284.0	"	807.0	"	500		
"	"	"	35	"	405.0	371.5	333.0	" 16	897.0	"	600		
390.0	31.5 "	22.0	23	3	145.0	123.5	102.0	19.0 6	651.0	700	150		
"	"	23.0	24	"	171.0	149.5	123.0	" 8	685.0	"	200		
"	"	24.0	26	"	205.0	180.0	154.0	22.0 "	728.0	"	250		
"	"	25.0	27	4	232.0	207.0	181.0	" 10	775.0	"	300		
"	"	27.0	28	"	265.0	236.0	207.0	25.0 "	818.0	"	350		
"	"	29.0	30	"	291.0	262.0	233.0	" 12	875.0	"	400		
"	"	30.0	31	"	326.0	292.5	259.0	23.5 "	931.0	"	450		
"	"	31.0	32	"	353.0	319.5	236.0	"	986.0	"	500		
"	"	32.3	35	"	405.0	371.5	338.0	" 16	1110.0	"	600		
"	"	"	38	"	464.0	427.0	390.0	31.5 "	1220.0	"	700		
443.0	" 20	22.0	23	3	145.0	123.5	102.0	19.0 6	829.0	800	150		
"	"	23.0	24	"	171.0	149.5	123.0	" 8	864.0	"	200		
"	"	24.0	26	"	205.0	180.0	154.0	22.0 "	918.0	"	250		
"	"	25.0	27	4	232.0	207.0	181.0	" 10	958.0	"	300		
"	"	27.0	28	"	265.0	236.0	207.0	25.0 "	1020.0	"	350		
"	"	29.0	30	"	291.0	262.0	233.0	" 12	1080.0	"	400		
"	"	30.0	31	"	326.0	292.5	259.0	23.5 "	1140.0	"	450		
"	"	31.0	32	"	353.0	319.5	236.0	"	1200.0	"	500		
"	"	33.0	35	"	405.0	371.5	338.0	" 16	1320.0	"	600		
"	"	34.7	38	"	464.0	427.0	390.0	31.5 "	1480.0	"	700		
"	"	35.7	41	5	517.0	480.0	443.0	" 20	1650.0	"	800		
495.0	35.0 "	23.0	24	3	171.0	149.5	128.0	19.0 8	1050.0	900	200		
"	"	24.0	26	"	205.0	180.0	154.0	22.0 "	1090.0	"	250		
"	"	26.0	27	4	232.0	207.0	181.0	" 10	1150.0	"	300		
"	"	27.0	28	"	265.0	236.0	207.0	25.0 "	1210.0	"	350		
"	"	29.0	30	"	291.0	262.0	233.0	" 12	1270.0	"	400		

三 突 十

(其ノ四)

公称内径		管 厚		R	枝 管 ノ 長 サ					本 管 突				
D	d	T	t		B	I	J	L ₁	l ₂	T ₁	K	M	R ₃	R ₄
900	450	31.1	24.0	110	644	760	930	140	120	33.1	44	5	578.0	536.5
"	500	"	25.0	"	669	766	990	"	"	"	"	"	"	"
"	600	"	27.0	120	729	789	1040	"	"	"	"	"	"	"
"	700	"	29.0	"	779	802	1090	"	"	"	"	"	"	"
"	800	"	31.1	130	839	846	1140	"	140	"	"	"	"	"
"	900	"	"	"	889	859	1190	"	"	"	"	"	"	"
1000	300	33.6	20.0	100	571	781	890	"	120	40.6	46	"	631.0	589.5
"	350	"	21.0	"	596	787	920	"	"	"	"	"	"	"
"	400	"	23.0	110	631	804	940	"	"	"	"	"	"	"
"	450	"	24.0	"	656	810	970	"	"	"	"	"	"	"
"	500	"	25.0	120	691	826	990	"	"	"	"	"	"	"
"	600	"	27.0	"	731	839	1040	"	"	"	"	"	"	"
"	700	"	29.0	130	801	862	1090	"	"	"	"	"	"	"
"	800	"	31.0	"	851	896	1140	"	140	"	"	"	"	"
"	900	"	33.6	140	911	919	1190	"	"	"	"	"	"	"
"	1000	"	"	"	961	931	1240	"	"	"	"	"	"	"
1100	400	36.0	23.0	110	644	854	950	"	120	43.0	49	"	683.0	641.5
"	450	"	24.0	"	669	860	970	"	"	"	"	"	"	"
"	500	"	25.0	120	704	866	1000	"	"	"	"	"	"	"
"	600	"	27.0	"	754	889	1050	"	"	"	"	"	"	"
"	700	"	29.0	130	814	912	1100	"	"	"	"	"	"	"
"	800	"	31.0	"	864	946	1150	"	140	"	"	"	"	"
"	900	"	34.0	140	924	969	1200	"	"	"	"	"	"	"
"	1000	"	36.0	"	974	981	1250	"	"	"	"	"	"	"
"	1100	"	"	150	1034	1004	1300	"	"	"	"	"	"	"
1200	400	38.4	23.0	110	657	904	950	"	120	45.4	52	"	735.0	693.5
"	450	"	24.0	120	692	920	970	"	"	"	"	"	"	"
"	500	"	25.0	"	717	926	1000	"	"	"	"	"	"	"
"	600	"	27.0	130	777	949	1050	"	"	"	"	"	"	"
"	700	"	29.0	"	827	962	1100	"	"	"	"	"	"	"
"	800	"	31.0	140	887	1006	1150	"	140	"	"	"	"	"
"	900	"	34.0	"	937	1019	1200	"	"	"	"	"	"	"
"	1000	"	36.0	150	994	1041	1250	"	"	"	"	"	"	"
"	1100	"	38.4	"	1047	1054	1300	"	"	"	"	"	"	"
"	1200	"	"	"	1097	1067	1350	"	"	"	"	"	"	"

字 管

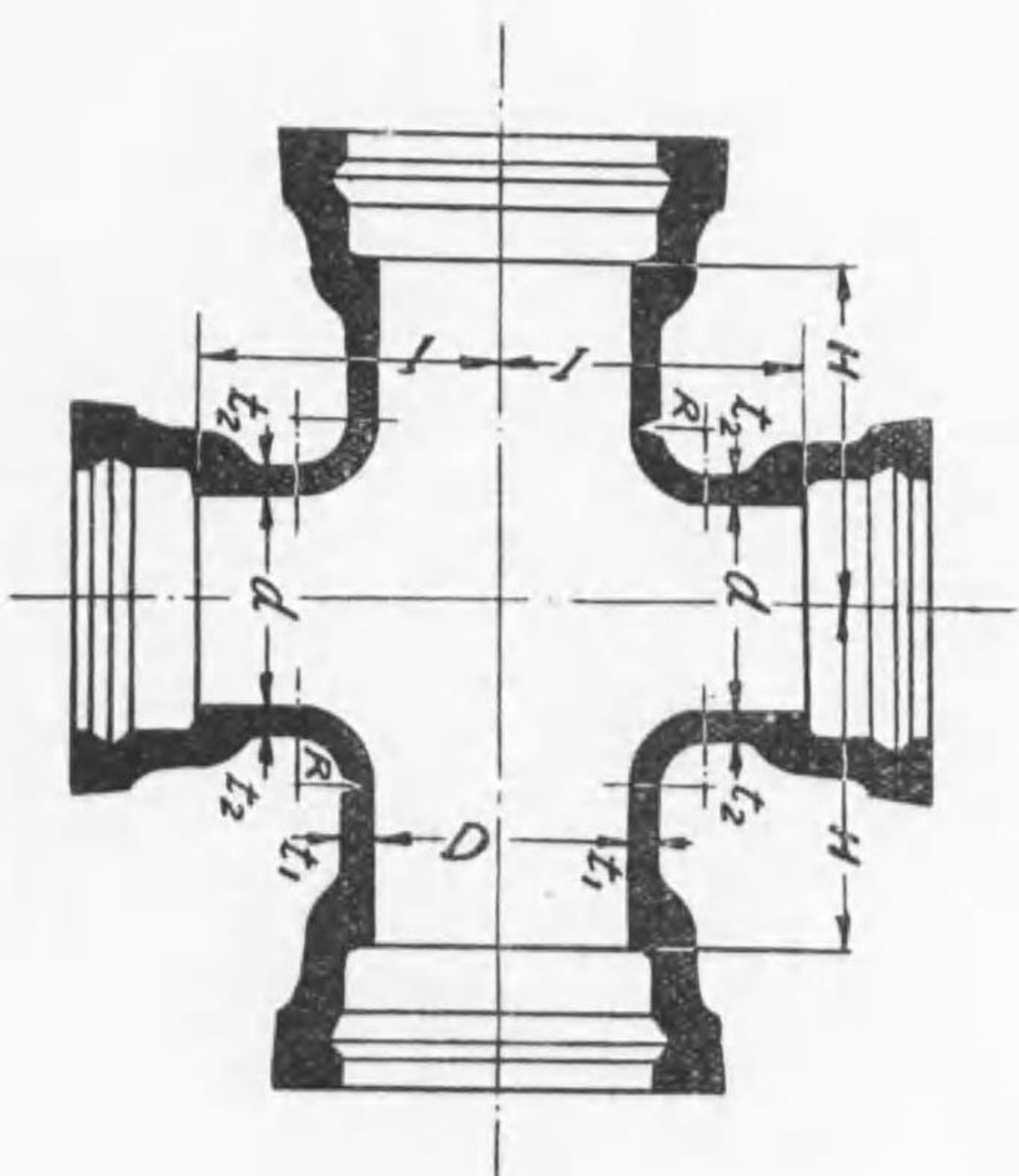
R ₂	ボ-ルト孔		枝 管 突 縁 (d)							重 量 庇	公称内径		
	d'	n'	t ₁	k	m	r ₃	r ₄	r ₅	d''		n''	D	d
495.0	35	20	30.0	31	4	326.0	292.5	259.0	23.5	12	1340.0	900	450
"	"	"	31.0	32	"	353.0	319.5	233.0	"	"	1400.0	"	500
"	"	"	33.0	35	"	405.0	371.5	338.0	"	16	1530.0	"	600
"	"	"	35.0	38	"	464.0	427.0	390.0	31.5	"	1690.0	"	700
"	"	"	38.1	41	5	517.0	480.0	443.0	"	20	1910.0	"	800
"	"	"	"	44	"	578.0	536.5	495.0	35.0	"	2090.0	"	900
548.0	"	24	26.0	27	4	232.0	237.0	181.0	22.0	10	1400.0	1000	300
"	"	"	27.0	23	"	265.0	236.0	207.0	25.0	"	1420.0	"	350
"	"	"	29.0	30	"	291.0	262.0	233.0	"	12	1520.0	"	400
"	"	"	30.0	31	"	326.0	292.5	259.0	23.5	"	1600.0	"	405
"	"	"	31.0	32	"	353.0	319.5	236.0	"	"	1670.0	"	500
"	"	"	33.0	35	"	405.0	371.5	333.0	"	16	1300.0	"	600
"	"	"	35.0	38	"	464.0	427.0	390.0	31.5	"	1990.0	"	700
"	"	"	38.0	41	5	517.0	480.0	443.0	"	20	2200.0	"	800
"	"	"	40.6	44	"	578.0	536.5	495.0	35.0	"	2450.0	"	900
"	"	"	"	46	"	631.0	589.5	548.0	"	24	2640.0	"	1000
600.0	"	"	29.0	30	4	291.0	262.0	233.0	25.0	12	1790.0	1100	400
"	"	"	30.0	31	"	326.0	292.5	259.0	23.5	"	1850.0	"	450
"	"	"	31.0	32	"	353.0	319.5	236.0	"	"	1940.0	"	500
"	"	"	33.0	35	"	405.0	371.5	338.0	"	16	2090.0	"	600
"	"	"	35.0	38	"	464.0	427.0	390.0	31.5	"	2230.0	"	700
"	"	"	38.0	41	5	517.0	480.0	443.0	"	20	2510.0	"	800
"	"	"	41.0	44	"	578.0	536.5	495.0	35.0	"	2760.0	"	900
"	"	"	43.0	46	"	631.0	589.5	548.0	"	24	3040.0	"	1000
"	"	"	"	49	"	683.0	641.5	600.0	"	"	3230.0	"	1100
652.0	"	23	29.0	30	4	291.0	262.0	233.0	25.0	12	2070.0	1200	400
"	"	"	30.0	31	"	326.0	292.5	259.0	23.5	"	2160.0	"	450
"	"	"	31.0	32	"	353.0	319.5	236.0	"	"	2240.0	"	500
"	"	"	33.0	35	"	405.0	371.5	338.0	"	16	2410.0	"	600
"	"	"	35.0	38	"	464.0	427.0	390.0	31.5	"	2690.0	"	700
"	"	"	38.0	41	5	517.0	480.0	443.0	"	20	2340.0	"	800
"	"	"	41.0	44	"	578.0	536.5	495.0	35.0	"	3090.0	"	900
"	"	"	43.0	46	"	631.0	589.5	548.0	"	24	3350.0	"	1000
"	"	"	45.4	49	"	683.0	641.5	600.0	"	"	3630.0	"	1100
"	"	"	"	52	"	735.0	693.5	652.0	"	23	3880.0	"	1200

四 承 十 字 管

第三號 第三表 (其ノ一)

公称内径	D	d	厚		R	枝管ノ長さ		重量
			t ₁	t ₂		H	I	
75	75	75	11.2	11.2	50	200	170	44.1
100	"	100	11.8	11.8	"	"	180	52.1
"	"	"	"	"	"	210	"	58.9
125	75	75	12.4	12.4	"	"	190	60.1
"	100	100	"	"	"	220	200	67.6
"	125	125	"	"	"	230	"	73.7
"	"	"	"	"	"	250	"	"
150	75	75	13.0	13.0	"	210	"	70.6
"	100	100	"	"	"	220	210	78.3
"	125	125	"	"	"	230	"	84.5
"	150	150	"	"	"	250	"	94.2
200	100	100	14.2	14.2	"	230	230	99.3
"	125	125	"	"	"	240	240	107.0
"	150	150	"	"	60	260	250	119.0
"	200	200	"	"	"	290	280	138.0
"	"	"	"	"	"	320	290	151.0
250	100	100	15.4	15.4	50	240	280	137.0
"	125	125	"	"	60	260	270	148.0
"	150	150	"	"	"	270	280	163.0
"	200	200	"	"	"	300	290	188.0
"	250	250	"	"	"	320	290	191.0
300	100	100	16.6	16.6	50	240	280	162.0
"	125	125	"	"	60	260	280	176.0
"	150	150	"	"	"	280	"	"

(普通壓及低壓用)
 $H = F + \frac{D}{10} + R + \frac{d}{2} + 30FE$
 $I = f + \frac{d}{10} + R + \frac{D}{2}$
 $J = P + \frac{d}{2} + 600FE$



(承口ノ寸法ハ直管ニ同シ)

四 承 十 字 管

(其ノ二)

公称内径	D	d	管 厚		R	枝管ノ長さ		重量
			t ₁	t ₂		H	I	
300	200	200	16.6	16.6	60	300	310	196.0
"	250	250	"	"	70	340	330	228.0
"	300	300	"	"	"	360	"	248.0
350	100	100	17.8	16.0	60	260	320	187.0
"	125	125	"	"	"	270	"	195.0
"	150	150	"	"	"	280	330	208.0
"	200	200	"	17.8	"	310	"	232.0
"	250	250	"	"	70	340	350	262.0
"	300	300	"	"	"	370	360	289.0
"	350	350	"	"	"	390	"	315.0
400	100	100	19.0	16.0	60	270	340	220.0
"	125	125	"	"	"	280	350	238.0
"	150	150	"	"	"	300	370	254.0
"	200	200	"	17.0	"	330	370	282.0
"	250	250	"	18.0	70	350	380	311.0
"	300	300	"	19.0	"	390	390	343.0
"	350	350	"	"	80	410	400	374.0
"	400	400	"	"	90	450	420	423.0
450	100	100	20.2	16.0	60	270	370	268.0
"	125	125	"	"	"	290	390	282.0
"	150	150	"	"	70	310	390	301.0
"	200	200	"	18.0	"	330	"	324.0

(其ノ三)

公称内径	D	d	管 厚		R	枝管ノ長さ		重量
			t ₁	t ₂		H	I	
450	250	250	20.2	19.0	80	370	410	364.0
"	300	300	"	20.0	"	390	420	393.0
"	350	350	"	20.2	"	420	"	426.0
"	400	400	"	"	90	450	440	473.0
"	450	450	"	"	"	480	450	517.0
500	100	100	21.5	16.0	60	280	390	313.0
"	125	125	"	"	"	300	400	329.0
"	150	150	"	"	70	320	410	348.0
"	200	200	"	18.0	"	340	420	373.0
"	250	250	"	19.0	80	380	440	417.0
"	300	300	"	20.0	"	400	"	443.0
"	350	350	"	21.0	"	430	450	485.0
"	400	400	"	21.5	90	460	470	536.0
"	450	450	"	"	"	490	"	588.0
"	500	500	"	"	100	520	490	628.0
600	150	150	23.9	17.0	80	340	470	460.0
"	200	200	"	18.0	"	370	480	465.0
"	250	250	"	19.0	"	390	490	528.0
"	300	300	"	20.0	90	430	500	573.0
"	350	350	"	21.0	"	450	510	610.0
"	400	400	"	21.5	"	480	520	656.0
"	450	450	"	22.9	100	510	530	721.0

四 承 十 字 管

(其 ノ 四)

公稱内徑	D	d	管 厚		R	枝管ノ長さ		重 量
			t ₁	t ₂		H	I	
600	500	400	23.9	23.9	100	540	540	775.0
"	600	500	"	"	110	600	570	890.0
700	500	400	26.3	17.0	80	350	520	592.0
"	600	500	"	18.0	"	380	530	632.0
"	500	400	"	19.0	90	410	570	679.0
"	600	500	"	20.0	"	440	"	720.0
"	700	600	"	21.0	"	460	560	758.0
"	800	700	"	23.0	100	500	580	832.0
"	900	800	"	24.0	"	520	"	877.0
"	1000	900	"	25.0	"	550	600	943.0
"	1100	1000	26.3	26.3	110	610	620	1080.0
"	1200	1100	"	"	"	630	630	1190.0
800	150	150	28.7	17.0	80	370	570	774.0
"	200	200	"	18.0	"	390	580	789.0
"	250	250	"	19.0	90	430	600	833.0
"	300	300	"	20.0	"	450	"	887.0
"	350	350	"	21.0	"	480	610	941.0
"	400	400	"	23.0	100	510	630	1010.0
"	450	450	"	21.0	"	540	"	1070.0
"	500	500	"	25.0	110	570	650	1140.0
"	600	600	"	27.0	"	620	670	1290.0
"	700	700	"	28.7	120	680	690	1440.0

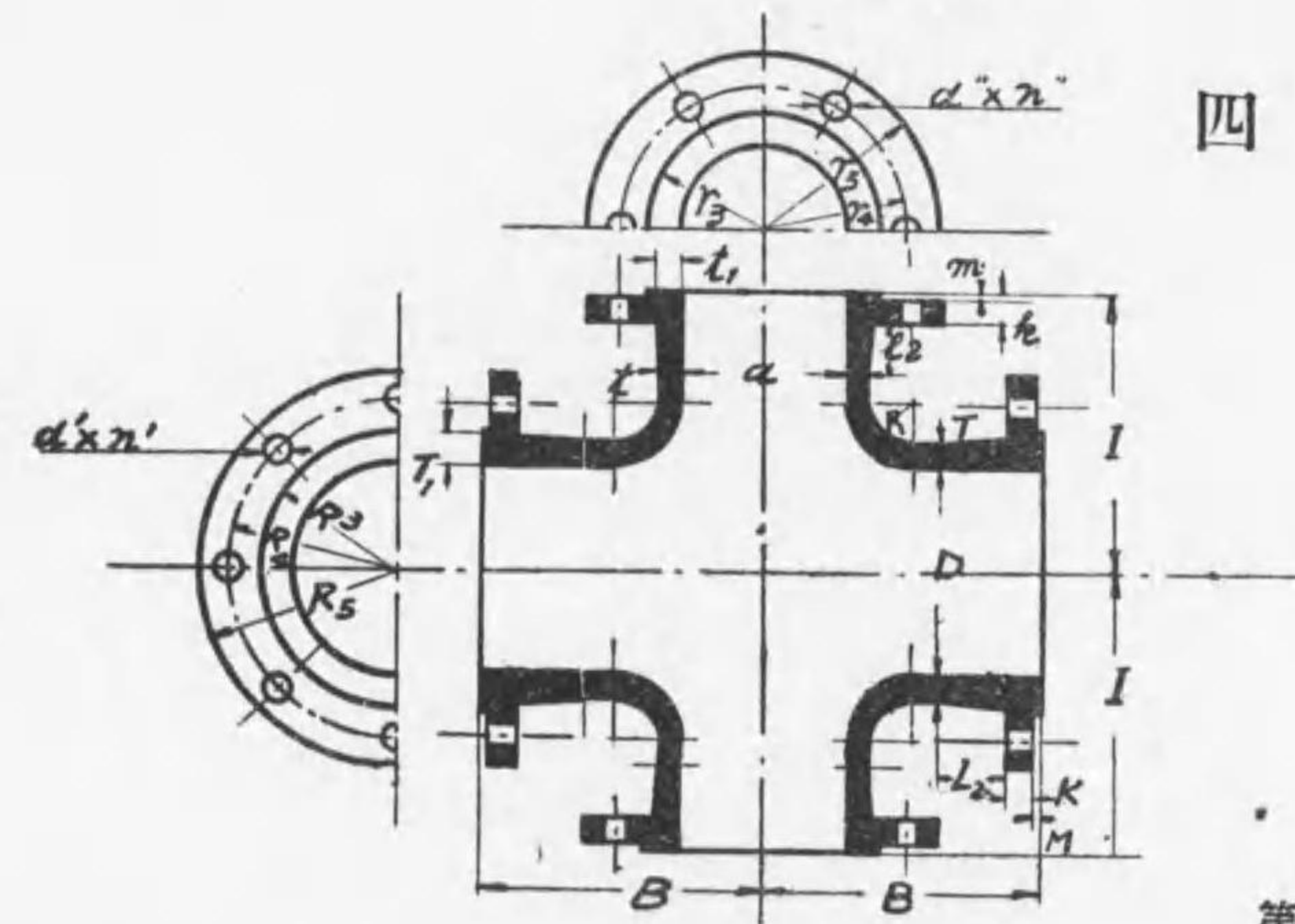
(其 ノ 五)

公稱内徑	D	d	管 厚		R	枝管ノ長さ		重 量
			t ₁	t ₂		H	I	
800	800	800	28.7	28.7	120	730	700	1390.0
900	900	900	31.1	18.0	90	420	640	1000.0
"	900	900	"	19.0	"	440	650	1050.0
"	900	900	"	20.0	"	470	"	1100.0
"	900	900	"	21.0	100	500	670	1160.0
"	900	900	"	23.0	"	530	690	1230.0
"	900	900	"	24.0	110	560	690	1300.0
"	900	900	"	25.0	"	580	700	1370.0
"	900	900	"	27.0	120	620	730	1430.0
"	900	900	"	29.0	"	650	740	1490.0
"	900	900	31.1	31.1	130	700	760	1590.0
"	900	900	"	"	"	750	780	1690.0
1000	300	300	33.6	20.0	100	500	710	1350.0
"	350	350	"	21.0	"	520	720	1400.0
"	400	400	"	23.0	110	550	740	1480.0
"	450	450	"	24.0	"	580	"	1550.0
"	500	500	"	25.0	120	610	760	1630.0
"	600	600	"	27.0	"	660	780	1780.0
"	700	700	"	29.0	130	720	800	1970.0
"	800	800	"	31.0	"	770	810	2160.0
"	900	900	33.6	33.6	140	830	840	2430.0
"	1000	1000	"	"	"	880	870	2630.0

四 承 十 字 管

(其 ノ 六)

公稱内徑	D	d	管 厚		R	枝管長さ		重 量
			t ₁	t ₂		H	I	
1100	400	400	36.0	23.0	110	570	790	1730.0
"	450	450	"	24.0	"	600	"	1830.0
"	500	500	"	25.0	120	630	810	1920.0
"	600	600	"	27.0	"	680	830	2070.0
"	700	700	"	29.0	130	740	850	2270.0
"	800	800	"	31.0	"	790	860	2460.0
"	900	900	"	34.0	140	850	890	2750.0
"	1000	1000	"	36.0	"	900	900	2990.0
"	1100	1100	"	"	150	960	930	3210.0
1200	400	400	38.4	23.0	110	580	810	2050.0
"	450	450	"	24.0	120	610	850	2140.0
"	500	500	"	25.0	"	640	860	2230.0
"	600	600	"	27.0	130	700	890	2420.0
"	700	700	"	29.0	"	750	900	2610.0
"	800	800	"	31.0	140	810	920	2840.0
"	900	900	"	34.0	"	860	940	3100.0
"	1000	1000	"	36.0	150	920	960	3380.0
"	1100	1100	"	38.4	"	970	980	3690.0
"	1200	1200	"	"	"	1020	990	4000.0



四 突

第 三 號

公稱内徑		管 厚		R	枝 管 ノ 長 サ				本 管 突				
D	d	T	t		B	I	L ₂	L ₁	T ₁	K	M	R ₃	R ₄
75	75	11.2	11.2	50	249	219	100	100	16.2	21	3	105.5	84.0
100	"	11.8	11.8	"	252	231	"	"	16.8	22	"	119.0	97.5
"	100	"	"	"	265	235	"	"	"	"	"	"	"
125	75	12.4	12.4	"	255	244	"	"	17.4	"	"	131.5	110.0
"	100	"	"	"	267	247	"	"	"	"	"	"	"
"	125	"	"	"	280	250	"	"	"	"	"	"	"
150	75	13.0	13.0	"	253	256	"	"	18.0	23	"	145.0	123.5
"	100	"	"	"	271	260	"	"	"	"	"	"	"
"	125	"	"	"	284	262	"	"	"	"	"	"	"
"	150	"	"	"	296	266	"	"	"	"	"	"	"
200	100	14.2	14.2	"	277	285	"	"	19.2	24	"	171.0	149.5
"	125	"	"	"	289	287	"	"	"	"	"	"	"
"	150	"	"	60	312	301	"	"	"	"	"	"	"
"	200	"	"	"	337	307	"	"	"	"	"	"	"
250	100	15.4	15.4	50	284	310	"	"	20.4	26	"	205.0	180.0
"	125	"	"	60	306	322	"	"	"	"	"	"	"
"	150	"	"	"	319	326	"	"	"	"	"	"	"
"	200	"	"	"	340	332	"	"	"	"	"	"	"
"	250	"	"	"	369	339	"	"	"	"	"	"	"
300	100	16.6	16.6	50	311	335	120	"	22.6	27	4	232.0	207.0

十 字 管

(普通壓及低壓用)

$$B = L_2 + M + K + \frac{D}{10} + R + \frac{d}{2} + 30 \text{ 耗}$$

$$I = L_2 + m + k + \frac{d}{10} + R + \frac{D}{2}$$

$$J = P + \frac{d}{2} + 600 \text{ 耗}$$

$$T_1 = T + a$$

$$t_1 = t + a$$

(突縁ノ寸法ハ直管=同ジ)

第 四 表 (其ノ一)

縁 (D)		枝 管 突 縁 (d)							重 量		公稱内徑		
R ₃	ボ-ルト孔 d' n'	t ₁	k	m	r ₃	r ₄	r ₃	ボ-ルト孔 d' n'	耗	D	d		
62.5	19	4	16.2	21	3	105.5	84.0	62.5	19	4	41.0	75	75
76.0	"	"	16.8	"	"	"	"	"	"	"	48.1	100	"
"	"	"	"	22	"	119.0	97.5	76.0	"	"	54.1	"	100
88.5	"	6	17.4	21	"	105.5	84.0	62.5	"	"	55.0	125	75
"	"	"	"	22	"	119.0	97.5	76.0	"	"	60.8	"	100
"	"	"	"	"	"	131.5	110.0	88.5	"	6	66.0	"	125
102.0	"	"	18.0	21	"	105.5	84.0	62.5	"	4	63.0	150	75
"	"	"	"	22	"	119.0	97.5	76.0	"	"	69.7	"	100
"	"	"	"	"	"	131.5	110.0	88.5	"	6	74.7	"	125
"	"	"	"	23	"	145.0	123.5	102.0	"	"	80.2	"	150
123.0	"	8	19.2	22	"	119.0	97.5	76.0	"	4	83.2	200	100
"	"	"	"	"	"	131.5	110.0	88.5	"	6	94.3	"	125
"	"	"	"	23	"	145.0	123.5	102.0	"	"	103.0	"	150
"	"	"	"	21	"	171.0	149.5	123.0	"	8	113.0	"	200
154.0	22	"	20.4	22	"	119.0	97.5	76.0	"	4	114.0	250	100
"	"	"	"	"	"	131.5	110.0	88.5	"	6	124.0	"	125
"	"	"	"	23	"	145.0	123.5	102.0	"	"	132.0	"	150
"	"	"	"	24	"	171.0	149.5	123.0	"	8	149.0	"	200
"	"	"	"	26	"	205.0	180.0	154.0	22	"	171.0	"	250
181.0	"	10	21.0	22	"	119.0	97.5	76.0	19	4	146.0	300	100

四 突 十

(其ノ二)

公稱内徑		管 厚		R	枝 管 ノ 長 サ				本 管 突				
D	d	T	t		B	I	L ₁	L ₂	T ₁	K	M	R ₅	R ₄
300	125	16.6	16.0	60	333	347	120	100	22.6	27	4	232.0	207.0
"	150	"	16.6	"	346	351	"	"	"	"	"	"	"
"	200	"	"	"	371	357	"	"	"	"	"	"	"
"	250	"	"	70	406	374	"	"	"	"	"	"	"
"	300	"	"	"	431	401	"	120	"	"	"	"	"
350	100	17.8	16.0	60	327	370	"	100	23.8	38	"	265.0	236.0
"	125	"	"	"	339	372	"	"	"	"	"	"	"
"	150	"	17.0	"	352	376	"	"	"	"	"	"	"
"	200	"	17.8	"	377	382	"	"	"	"	"	"	"
"	250	"	"	70	412	399	"	"	"	"	"	"	"
"	300	"	"	"	437	426	"	120	"	"	"	"	"
"	350	"	"	"	462	432	"	"	"	"	"	"	"
400	100	19.0	16.0	60	334	395	"	100	25.0	30	"	291.0	262.0
"	125	"	"	"	346	397	"	"	"	"	"	"	"
"	150	"	17.0	"	359	401	"	"	"	"	"	"	"
"	200	"	18.0	70	394	417	"	"	"	"	"	"	"
"	250	"	19.0	"	419	424	"	"	"	"	"	"	"
"	300	"	"	80	454	461	"	120	"	"	"	"	"
"	350	"	"	"	479	467	"	"	"	"	"	"	"
"	400	"	"	90	514	487	"	"	"	"	"	"	"
450	100	20.2	16.0	60	340	420	"	100	26.2	31	"	325.0	292.5
"	125	"	"	"	352	422	"	"	"	"	"	"	"
"	150	"	17.0	70	375	436	"	"	"	"	"	"	"
"	200	"	18.0	"	400	442	"	"	"	"	"	"	"
"	250	"	19.0	80	435	459	"	"	"	"	"	"	"
"	300	"	20.0	"	460	486	"	120	"	"	"	"	"
"	350	"	20.2	"	485	492	"	"	"	"	"	"	"
"	400	"	"	90	520	509	"	"	"	"	"	"	"
"	450	"	"	"	545	515	"	"	"	"	"	"	"
500	100	21.5	16.0	60	346	445	"	100	27.5	32	"	353.0	319.5
"	125	"	"	"	358	447	"	"	"	"	"	"	"
"	150	"	17.0	70	381	461	"	"	"	"	"	"	"
"	200	"	18.0	"	406	467	"	"	"	"	"	"	"
"	250	"	19.0	80	441	484	"	"	"	"	"	"	"
"	300	"	20.0	"	466	511	"	120	"	"	"	"	"
"	350	"	21.0	"	491	517	"	"	"	"	"	"	"
"	400	"	21.5	90	525	534	"	"	"	"	"	"	"

字 管

線 (D)			枝 管 突 線 (d)								重 量 庇	公稱内徑	
R ₃	ボ-ルト孔 d' n'		t ₁	k	m	r ₃	r ₁	r ₃	ボ-ルト孔 d'' n''			D	d
181.0	22.0	10	21.0	22	3	131.5	110.0	88.5	19.0	6	156.0	300	125
"	"	"	21.6	23	"	145.0	123.5	102.0	"	"	166.0	"	150
"	"	"	"	24	"	171.0	149.5	128.0	"	8	184.0	"	200
"	"	"	"	26	"	205.0	180.0	154.0	22.0	"	206.0	"	250
"	"	"	22.6	27	4	232.0	207.0	181.0	"	10	241.0	"	300
207.0	25.0	"	21.0	22	3	119.0	97.5	76.0	19.0	4	182.0	370	100
"	"	"	"	"	"	131.5	110.0	88.5	"	6	190.0	"	125
"	"	"	22.0	23	"	145.0	123.5	102.0	"	"	201.0	"	150
"	"	"	22.8	24	"	171.0	149.5	128.0	"	8	222.0	"	200
"	"	"	"	26	"	205.0	180.0	154.0	22.0	"	252.0	"	250
"	"	"	23.8	27	4	232.0	207.0	181.0	"	10	282.0	"	300
"	"	"	"	28	"	265.0	236.0	207.0	25.0	"	312.0	"	350
233.0	"	12	21.0	22	3	119.0	97.5	76.0	19.0	4	216.0	400	100
"	"	"	"	"	"	131.5	110.0	88.5	"	6	226.0	"	125
"	"	"	22.0	23	"	145.0	123.5	102.0	"	"	237.0	"	150
"	"	"	23.0	24	"	171.0	149.5	128.0	"	8	264.0	"	200
"	"	"	24.0	26	"	205.0	180.0	154.0	22.0	"	290.0	"	250
"	"	"	25.0	27	4	232.0	207.0	181.0	"	10	320.0	"	300
"	"	"	"	28	"	265.0	236.0	207.0	25.0	"	350.0	"	350
"	"	"	"	30	"	291.0	262.0	233.0	"	12	400.0	"	400
259.0	28.5	"	21.0	22	3	119.0	97.5	76.0	19.0	4	261.0	450	100
"	"	"	"	"	"	131.5	110.0	88.5	"	6	270.0	"	125
"	"	"	22.0	23	"	145.0	123.5	102.0	"	"	288.0	"	150
"	"	"	23.0	24	"	171.0	149.5	128.0	"	8	310.0	"	200
"	"	"	24.0	26	"	205.0	180.0	154.0	22.0	"	348.0	"	250
"	"	"	25.0	27	4	232.0	207.0	181.0	"	10	375.0	"	300
"	"	"	26.2	28	"	265.0	236.0	207.0	25.0	"	419.0	"	350
"	"	"	"	30	"	291.0	262.0	233.0	"	12	460.0	"	400
"	"	"	"	31	"	326.0	292.5	259.0	28.5	"	501.0	"	450
286.0	"	"	21.0	22	3	119.0	97.5	76.0	19.0	4	303.0	500	100
"	"	"	"	"	"	131.5	110.0	88.5	"	6	313.0	"	125
"	"	"	22.0	23	"	145.0	123.5	102.0	"	"	333.0	"	150
"	"	"	23.0	24	"	171.0	149.5	128.0	"	8	358.0	"	200
"	"	"	24.0	26	"	205.0	180.0	154.0	22.0	"	397.0	"	250
"	"	"	26.0	27	4	232.0	207.0	181.0	"	10	435.0	"	300
"	"	"	27.0	28	"	265.0	236.0	207.0	25.0	"	474.0	"	350
"	"	"	27.5	30	"	291.0	262.0	233.0	"	12	520.0	"	400

四 突 十

(其ノ三)

公稱内徑		管 厚		R	枝 管 ノ 長 サ				本 管 突				
D	d	T	t		B	I	L ₂	l ₂	T ₁	K	M	R ₃	R ₄
500	450	21.5	21.5	90	551	540	120	120	27.5	32	4	353.0	319.5
"	500	"	"	100	561	556	"	"	"	"	"	"	"
600	150	23.9	17.0	80	404	521	"	100	29.9	35	"	405.0	371.5
"	200	"	18.0	"	429	527	"	"	"	"	"	"	"
"	250	"	19.0	"	454	534	"	"	"	"	"	"	"
"	300	"	20.0	90	489	571	"	120	"	"	"	"	"
"	350	"	21.0	"	514	577	"	"	"	"	"	"	"
"	400	"	23.0	"	539	584	"	"	"	"	"	"	"
"	450	"	23.9	100	574	600	"	"	"	"	"	"	"
"	500	"	"	"	599	606	"	"	"	"	"	"	"
"	600	"	"	110	659	629	"	"	"	"	"	"	"
700	150	26.3	17.0	80	420	570	"	100	32.3	38	"	464.0	427.0
"	200	"	18.0	"	442	577	"	"	"	"	"	"	"
"	250	"	19.0	90	477	594	"	"	"	"	"	"	"
"	300	"	20.0	"	502	621	"	120	"	"	"	"	"
"	350	"	21.0	"	527	627	"	"	"	"	"	"	"
"	400	"	23.0	100	562	634	"	"	"	"	"	"	"
"	450	"	24.0	"	587	650	"	"	"	"	"	"	"
"	500	"	25.0	"	612	656	"	"	"	"	"	"	"
"	600	"	26.3	110	672	679	"	"	"	"	"	"	"
"	700	"	"	"	722	692	"	"	"	"	"	"	"
800	150	28.7	17.0	80	451	621	140	100	35.7	41	5	517.0	480.0
"	200	"	18.0	"	476	627	"	"	"	"	"	"	"
"	250	"	19.0	90	511	644	"	"	"	"	"	"	"
"	300	"	20.0	"	536	651	"	120	"	"	"	"	"
"	350	"	21.0	"	566	677	"	"	"	"	"	"	"
"	400	"	23.0	100	596	694	"	"	"	"	"	"	"
"	450	"	24.0	"	621	700	"	"	"	"	"	"	"
"	500	"	25.0	110	646	716	"	"	"	"	"	"	"
"	600	"	27.0	"	706	729	"	"	"	"	"	"	"
"	700	"	28.7	120	756	752	"	"	"	"	"	"	"
"	800	"	"	"	816	786	"	140	"	"	"	"	"
900	200	31.1	18.0	90	469	687	"	100	38.1	44	"	578.0	536.5
"	250	"	19.0	"	524	694	"	"	"	"	"	"	"
"	300	"	20.0	"	549	721	"	120	"	"	"	"	"
"	350	"	21.0	100	584	737	"	"	"	"	"	"	"
"	400	"	23.0	"	609	744	"	"	"	"	"	"	"

字 管

線 (D)		枝 管 突 線 (d)									重 量 斤	公稱内徑	
R ₃	ボ-ルト孔 d' n'	t ₁	k	m	r ₃	r ₁	r ₂	ボ-ルト孔 d'' n''		D		d	
236.0	23.5	12	27.5	31	4	326.0	292.5	259.0	23.5	12	563.0	500	450
"	"	"	"	32	"	353.0	319.5	236.0	"	"	593.0	"	500
338.0	"	16	22.0	23	3	145.0	123.5	102.0	19.0	6	437.0	600	150
"	"	"	23.0	24	"	171.0	149.5	123.0	"	8	463.0	"	200
"	"	"	24.0	26	"	205.0	180.0	151.0	22.0	"	500.0	"	250
"	"	"	26.0	27	4	232.0	207.0	181.0	"	10	550.0	"	300
"	"	"	27.0	28	"	265.0	236.0	207.0	25.0	"	591.0	"	350
"	"	"	29.0	30	"	291.0	262.0	233.0	"	12	639.0	"	400
"	"	"	29.9	31	"	326.0	292.5	259.0	23.5	"	701.0	"	450
"	"	"	"	32	"	353.0	319.5	236.0	"	"	745.0	"	500
"	"	"	"	35	"	405.0	371.5	333.0	"	16	846.0	"	600
390.0	31.5	"	22.0	23	3	145.0	123.5	102.0	19.0	6	575.0	700	150
"	"	"	23.0	24	"	171.0	149.5	123.0	"	8	605.0	"	200
"	"	"	24.0	26	"	205.0	180.0	151.0	22.0	"	655.0	"	250
"	"	"	26.0	27	4	232.0	207.0	181.0	"	10	700.0	"	300
"	"	"	27.0	28	"	265.0	236.0	207.0	25.0	"	744.0	"	350
"	"	"	29.0	30	"	291.0	262.0	233.0	"	12	803.0	"	400
"	"	"	30.0	31	"	326.0	292.5	259.0	23.5	"	862.0	"	450
"	"	"	31.0	32	"	353.0	319.5	236.0	"	"	915.0	"	500
"	"	"	32.3	35	"	405.0	371.5	333.0	"	16	1040.0	"	600
"	"	"	"	38	"	464.0	427.0	390.0	31.5	"	1150.0	"	700
443.0	"	20	22.0	23	3	145.0	123.5	102.0	19.0	6	751.0	800	150
"	"	"	23.0	24	"	171.0	149.5	123.0	"	8	789.0	"	200
"	"	"	24.0	26	"	205.0	180.0	151.0	22.0	"	845.0	"	250
"	"	"	26.0	27	4	232.0	207.0	181.0	"	10	889.0	"	300
"	"	"	27.0	28	"	265.0	236.0	207.0	25.0	"	949.0	"	350
"	"	"	29.0	30	"	291.0	262.0	233.0	"	12	1010.0	"	400
"	"	"	30.0	31	"	326.0	292.5	259.0	23.5	"	1070.0	"	450
"	"	"	31.0	32	"	353.0	319.5	236.0	"	"	1130.8	"	500
"	"	"	33.0	35	"	405.0	371.5	333.0	"	16	1260.0	"	600
"	"	"	34.7	38	"	464.0	427.0	390.0	31.5	"	1400.0	"	700
"	"	"	35.7	41	5	517.0	480.0	443.0	"	20	1600.0	"	800
495.0	35.0	"	23.0	24	3	171.0	149.5	123.0	19.0	8	951.0	900	200
"	"	"	24.0	26	"	205.0	180.0	151.0	22.0	"	998.0	"	250
"	"	"	26.0	27	4	232.0	207.0	181.0	"	10	1050.0	"	300
"	"	"	27.0	28	"	265.0	236.0	207.0	25.0	"	1120.0	"	350
"	"	"	29.0	30	"	291.0	262.0	233.0	"	12	1170.0	"	400

四 突 十

(其ノ四)

公稱内徑		管 厚		R	枝 管 ノ 長 サ				本 管 突				
D	d	T	t		B	I	L ₂	l ₂	T ₁	K	M	R ₃	R ₄
900	450	31.1	21.0	110	644	760	140	120	38.1	44	5	578.0	536.5
"	500	"	25.0	"	669	766	"	"	"	"	"	"	"
"	600	"	27.0	120	729	789	"	"	"	"	"	"	"
"	700	"	29.0	"	779	802	"	"	"	"	"	"	"
"	800	"	31.1	130	839	843	"	140	"	"	"	"	"
"	900	"	"	"	889	859	"	"	"	"	"	"	"
1000	300	33.6	20.0	100	571	781	"	120	40.6	46	"	631.0	589.5
"	350	"	21.0	"	596	787	"	"	"	"	"	"	"
"	400	"	23.0	110	631	804	"	"	"	"	"	"	"
"	450	"	24.0	"	656	810	"	"	"	"	"	"	"
"	500	"	25.0	120	691	826	"	"	"	"	"	"	"
"	600	"	27.0	"	731	839	"	"	"	"	"	"	"
"	700	"	29.0	130	801	862	"	"	"	"	"	"	"
"	800	"	31.0	"	851	896	"	140	"	"	"	"	"
"	900	"	33.6	140	911	919	"	"	"	"	"	"	"
"	1000	"	"	"	961	931	"	"	"	"	"	"	"
1100	400	36.0	23.0	110	644	854	"	120	43.0	49	"	683.0	611.5
"	450	"	24.0	"	669	860	"	"	"	"	"	"	"
"	500	"	25.0	120	704	866	"	"	"	"	"	"	"
"	600	"	27.0	"	754	889	"	"	"	"	"	"	"
"	700	"	29.0	130	814	912	"	"	"	"	"	"	"
"	800	"	31.0	"	864	946	"	140	"	"	"	"	"
"	900	"	34.0	140	924	969	"	"	"	"	"	"	"
"	1000	"	36.0	"	974	981	"	"	"	"	"	"	"
"	1100	"	"	150	1034	1004	"	"	"	"	"	"	"
1200	400	38.4	23.0	110	657	904	"	120	45.4	52	"	735.0	693.5
"	450	"	24.0	120	692	920	"	"	"	"	"	"	"
"	500	"	25.0	"	717	926	"	"	"	"	"	"	"
"	600	"	27.0	130	777	949	"	"	"	"	"	"	"
"	700	"	29.0	"	827	962	"	"	"	"	"	"	"
"	800	"	31.0	140	887	1006	"	140	"	"	"	"	"
"	900	"	34.0	"	937	1019	"	"	"	"	"	"	"
"	1000	"	36.0	150	994	1041	"	"	"	"	"	"	"
"	1100	"	38.4	"	1047	1054	"	"	"	"	"	"	"
"	1200	"	"	"	1097	1067	"	"	"	"	"	"	"

字 管

R ₃	線 (D)		枝 管 突 線 (d)							重 量 庇	公稱内徑		
	ボ-ルト孔 d'	n'	t ₁	k	m	r ₁	r ₂	r ₃	ボ-ルト孔 d''		n''	D	d
495.0	35	20	30.0	31	4	326.0	292.5	259.0	28.5	12	1250.0	900	450
"	"	"	31.0	32	"	353.0	319.5	286.0	"	"	1310.0	"	500
"	"	"	33.0	35	"	405.0	371.5	338.0	"	16	1450.0	"	600
"	"	"	35.0	38	"	464.0	427.0	390.0	31.5	"	1610.0	"	700
"	"	"	38.1	41	5	517.0	480.0	443.0	"	20	1830.0	"	800
"	"	"	"	44	"	578.0	536.5	495.0	35.0	"	2010.0	"	900
548.0	"	24	26.0	27	4	232.0	207.0	181.0	22.0	10	1310.0	1000	300
"	"	"	27.0	28	"	265.0	236.0	207.0	25.0	"	1380.0	"	350
"	"	"	29.0	30	"	291.0	262.0	233.0	"	12	1460.0	"	400
"	"	"	30.0	31	"	326.0	292.5	259.0	28.5	"	1520.0	"	450
"	"	"	31.0	32	"	353.0	319.5	286.0	"	"	1610.0	"	500
"	"	"	33.0	35	"	405.0	371.5	338.0	"	16	1730.0	"	600
"	"	"	35.0	38	"	464.0	427.0	390.0	31.5	"	1930.0	"	700
"	"	"	38.0	41	5	517.0	480.0	443.0	"	20	2140.0	"	800
"	"	"	40.6	44	"	578.0	536.5	495.0	35.0	"	2400.0	"	900
"	"	"	"	46	"	631.0	589.5	548.0	"	24	2580.0	"	1000
600.0	"	"	29.0	30	4	291.0	262.0	233.0	25.0	12	1700.0	1100	400
"	"	"	30.0	31	"	326.0	292.5	259.0	28.5	"	1780.0	"	450
"	"	"	31.0	32	"	353.0	319.5	286.0	"	"	1860.0	"	500
"	"	"	33.0	35	"	405.0	371.5	338.0	"	16	2020.0	"	600
"	"	"	35.0	38	"	464.0	427.0	390.0	31.5	"	2210.0	"	700
"	"	"	38.0	41	5	517.0	480.0	443.0	"	20	2420.0	"	800
"	"	"	41.0	44	"	578.0	536.5	495.0	35.0	"	2700.0	"	900
"	"	"	43.0	46	"	631.0	589.5	548.0	"	24	2930.0	"	1000
"	"	"	"	49	"	683.0	641.5	600.0	"	"	3180.0	"	1100
652.0	"	28	29.0	30	4	291.0	262.0	233.0	25.0	12	1990.0	1200	400
"	"	"	30.0	31	"	326.0	292.5	259.0	28.5	"	2090.0	"	450
"	"	"	31.0	32	"	353.0	319.5	286.0	"	"	2160.0	"	500
"	"	"	33.0	35	"	405.0	371.5	338.0	"	16	2350.0	"	600
"	"	"	35.0	38	"	464.0	427.0	390.0	31.5	"	2530.0	"	700
"	"	"	38.0	41	5	517.0	480.0	443.0	"	20	2780.0	"	800
"	"	"	41.0	44	"	578.0	536.5	495.0	35.0	"	3040.0	"	900
"	"	"	43.0	46	"	631.0	589.5	548.0	"	24	3300.0	"	1000
"	"	"	45.4	49	"	683.0	641.5	600.0	"	"	3590.0	"	1100
"	"	"	"	52	"	735.0	693.5	652.0	"	28	3830.0	"	1200

二 承 丁 字 管

第四號 第一表 (其ノ一)

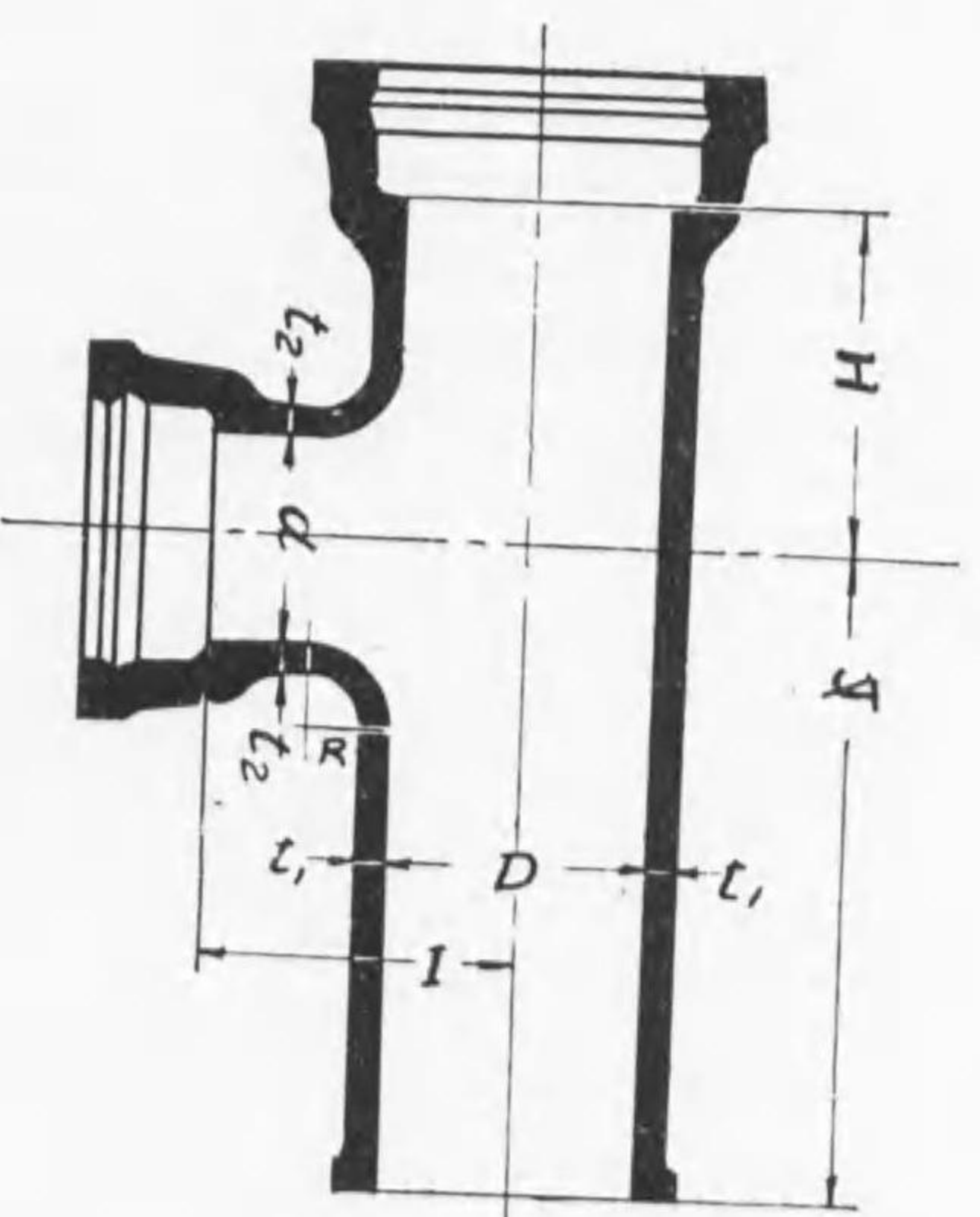
公稱内徑 D	d	管 t ₁	厚 t ₂	R	枝管ノ長さ			重 量 kg
					H	I	J	
75	75	11.2	11.2	50	200	170	730	37.8
100	"	11.8	11.8	"	"	180	"	47.6
"	100	"	"	"	210	"	750	51.6
125	75	12.4	12.4	"	"	190	730	58.0
"	100	"	"	"	220	200	750	62.5
"	125	"	"	"	230	"	760	66.9
150	75	13.0	13.0	"	210	"	740	70.5
"	100	"	"	"	220	210	750	74.9
"	125	"	"	"	230	"	760	78.4
"	150	"	"	"	250	220	780	84.3
200	100	14.2	14.2	"	230	230	750	101.0
"	125	"	"	"	240	240	760	105.0
"	150	"	"	"	260	250	780	113.0
"	200	"	"	"	290	260	800	134.0
250	100	15.4	15.4	50	240	"	760	134.0
"	125	"	"	63	260	270	770	140.0
"	150	"	"	"	270	280	780	146.0
"	200	"	"	"	300	"	810	159.0
"	250	"	"	"	320	290	830	172.0
300	100	16.6	16.6	50	240	280	760	167.0
"	125	"	"	60	260	300	770	173.0
"	150	"	16.6	"	280	"	780	180.0

(普通壓及低壓用)

$$H = F + \frac{D}{10} + R + \frac{1}{2} + 30FE$$

$$I = f + \frac{d}{10} + R + \frac{D}{2}$$

$$J = P + \frac{d}{2} + 600FE$$



(承口及挿口ノ寸法、直管=同シ)

二 承 丁 字 管

(其ノ二)

公稱内徑 D	d	管 t ₁	厚 t ₂	R	枝管ノ長さ			重 量 kg
					H	I	J	
300	200	16.6	16.6	60	300	310	810	194.0
"	250	"	"	70	340	330	830	212.0
"	300	"	"	"	330	"	860	226.0
350	100	17.8	16.0	60	260	320	760	206.0
"	125	"	"	"	270	"	770	212.0
"	150	"	17.0	"	280	330	790	221.0
"	200	"	17.8	70	310	"	810	236.0
"	250	"	"	"	340	330	840	256.0
"	300	"	"	"	370	360	860	272.0
"	350	"	"	"	390	"	890	304.0
400	100	19.0	16.0	60	270	340	760	252.0
"	125	"	"	"	280	350	770	258.0
"	150	"	17.0	"	300	"	790	270.0
"	200	"	18.0	70	330	370	810	287.0
"	250	"	19.0	"	350	380	840	307.0
"	300	"	"	80	390	390	860	331.0
"	350	"	"	"	410	400	890	347.0
"	400	"	"	90	450	420	910	375.0
450	100	20.2	16.0	60	270	370	770	300.0
"	125	"	"	"	290	"	780	309.0
"	150	"	17.0	70	310	390	790	321.0
"	200	"	18.0	"	330	"	820	339.0

(其ノ三)

公稱内徑 D	d	管 t ₁	厚 t ₂	R	枝管ノ長さ			重 量 kg
					H	I	J	
450	250	20.2	19.0	80	370	410	840	363.0
"	300	"	20.0	"	390	420	870	384.0
"	350	"	20.2	"	420	"	890	405.0
"	400	"	"	90	450	440	920	434.0
"	450	"	"	"	480	450	940	461.0
500	100	21.5	16.0	60	280	390	770	352.0
"	125	"	"	"	300	400	780	363.0
"	150	"	17.0	70	320	410	790	375.0
"	200	"	18.0	"	340	420	820	395.0
"	250	"	19.0	80	380	440	840	422.0
"	300	"	20.0	"	400	"	870	443.0
"	350	"	21.0	"	430	450	890	468.0
"	400	"	21.5	90	460	470	920	501.0
"	450	"	"	"	490	"	940	532.0
"	500	"	"	100	520	490	970	560.0
600	150	23.9	17.0	80	340	470	800	496.0
"	200	"	18.0	"	370	480	820	520.0
"	250	"	19.0	"	390	490	850	546.0
"	300	"	20.0	90	430	500	870	575.0
"	350	"	21.0	"	450	510	900	604.0
"	400	"	23.0	"	480	520	920	639.0
"	450	"	23.9	100	510	530	950	676.0

二 承 丁 字 管

(其 ノ 四)

公稱内徑	D	d	管 厚		R	枝 管 ノ 長 寸			重 量 kg
			t ₁	t ₂		H	I	J	
600	500	600	23.9	23.9	100	540	540	970	708.0
"	600	"	"	"	110	600	570	1020	733.0
700	150	200	26.3	17.0	80	350	520	800	642.0
"	200	"	"	18.0	"	380	530	830	675.0
"	250	"	"	19.0	90	410	550	850	707.0
"	300	"	"	20.0	"	440	"	880	740.0
"	350	"	"	21.0	"	460	560	900	768.0
"	400	"	"	23.0	100	500	580	930	818.0
"	450	"	"	24.0	"	520	"	950	849.0
"	500	"	"	25.0	"	550	600	980	895.0
"	600	"	"	26.3	110	610	620	1030	982.0
"	700	"	"	"	"	660	630	1080	1060.0
800	150	200	28.7	17.0	80	370	570	810	813.0
"	200	"	"	18.0	"	390	580	830	851.0
"	250	"	"	19.0	90	430	600	860	889.0
"	300	"	"	20.0	"	450	"	880	917.0
"	350	"	"	21.0	"	480	610	910	942.0
"	400	"	"	23.0	100	510	630	930	1000.0
"	450	"	"	24.0	"	540	"	960	1050.0
"	500	"	"	25.0	110	570	650	980	1100.0
"	600	"	"	27.0	"	620	670	1030	1190.0
"	700	"	"	28.7	120	680	690	1080	1300.0

(其 ノ 五)

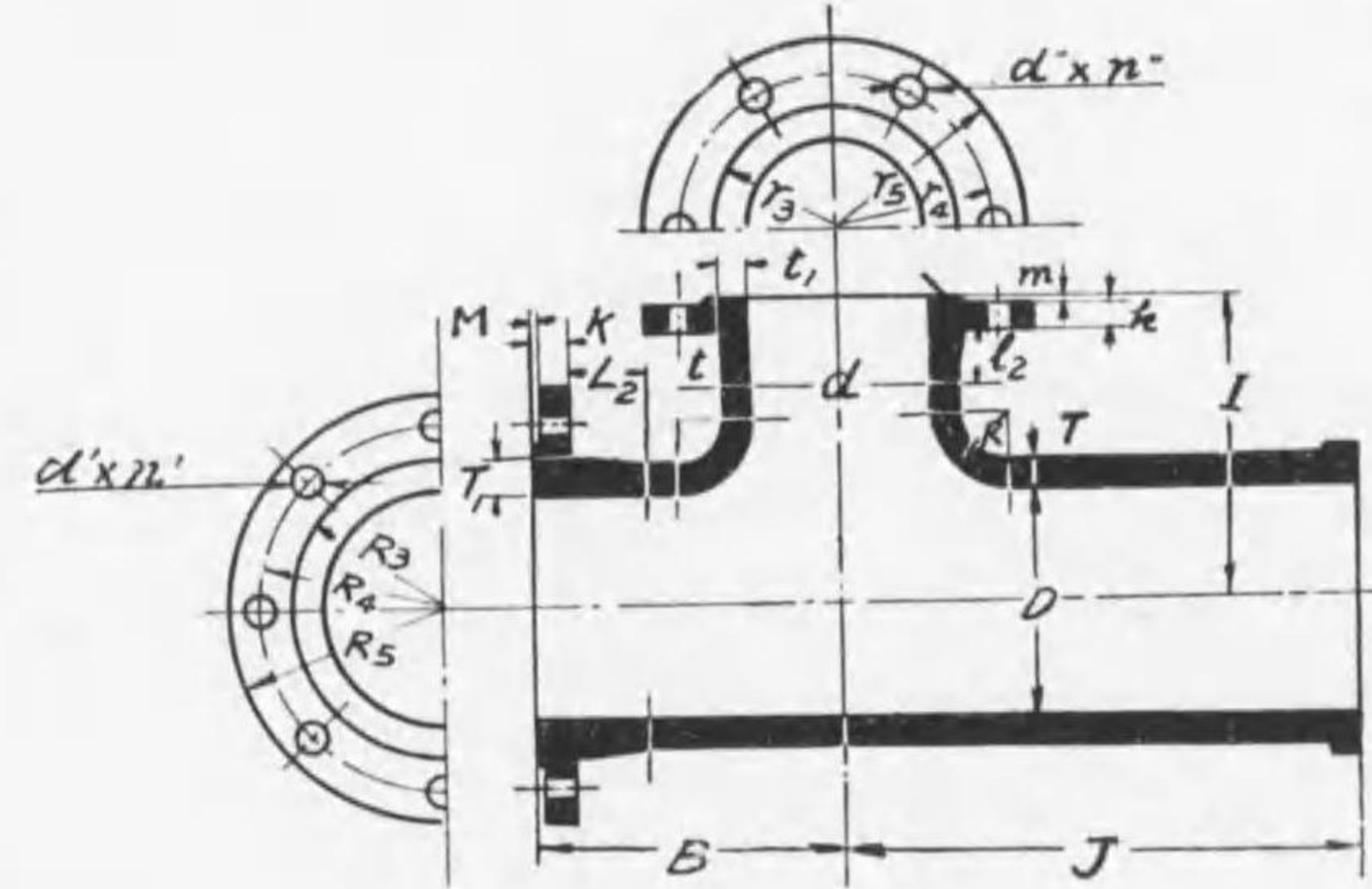
公稱内徑	D	d	管 厚		R	枝 管 ノ 長 寸			重 量 kg
			t ₁	t ₂		H	I	J	
800	800	800	23.7	23.7	120	730	700	1130	1400.0
900	200	250	31.1	18.0	90	420	640	840	1050.0
"	300	"	"	19.0	"	440	650	860	1090.0
"	350	"	"	20.0	"	470	"	890	1130.0
"	400	"	"	21.0	100	500	670	910	1180.0
"	450	"	"	23.0	"	530	680	940	1230.0
"	500	"	"	24.0	110	560	690	960	1280.0
"	600	"	"	25.0	"	590	700	990	1330.0
"	700	"	"	27.0	120	650	730	1040	1440.0
"	800	"	"	29.0	"	700	740	1090	1560.0
"	900	"	"	31.1	130	760	760	1140	1690.0
"	1000	300	33.6	20.0	100	810	780	1190	1850.0
"	350	"	"	21.0	"	500	710	890	1570.0
"	400	"	"	23.0	110	550	720	920	1430.0
"	450	"	"	24.0	"	580	740	940	1480.0
"	500	"	"	25.0	120	610	"	970	1540.0
"	600	"	"	27.0	"	660	700	990	1590.0
"	700	"	"	29.0	130	720	780	1040	1710.0
"	800	"	"	31.0	"	770	800	1090	1840.0
"	900	"	"	33.6	140	830	810	1140	1970.0
"	1000	300	"	"	"	880	830	1190	2150.0
"	1030	"	"	"	"	"	850	1240	2290.0

二 承 丁 字 管

(其 ノ 六)

公稱内徑	D	d	管 厚		R	枝 管 ノ 長 寸			電 量 kg
			t ₁	t ₂		H	I	J	
1100	400	400	36.0	23.0	110	570	730	930	1750.0
"	450	"	"	24.0	"	600	"	970	1810.0
"	500	"	"	25.0	120	630	810	1000	1880.0
"	600	"	"	27.0	"	680	830	1050	2000.0
"	700	"	"	29.0	130	740	850	1100	2150.0
"	800	"	"	31.0	"	790	860	1150	2290.0
"	900	"	"	34.0	140	810	880	1200	2480.0
"	1000	"	"	36.0	"	900	900	1250	2640.0
"	1100	"	"	"	150	960	930	1300	2830.0
1200	400	400	38.4	23.0	110	580	840	950	2090.0
"	450	"	"	24.0	120	610	850	970	2110.0
"	500	"	"	25.0	"	640	860	1000	2190.0
"	600	"	"	27.0	130	700	890	1050	2340.0
"	700	"	"	29.0	"	750	900	1100	2480.0
"	800	"	"	31.0	140	810	920	1150	2650.0
"	900	"	"	34.0	"	860	940	1200	2840.0
"	1000	"	"	36.0	150	920	960	1250	3030.0
"	1100	"	"	38.4	"	970	980	1300	3240.0
"	1200	"	"	"	"	1020	990	1350	3480.0

二 突



第 四 號

公稱内徑		管 厚		R	枝 管 ノ 長 サ					本 管 突				
D	d	T	t		B	I	J	I ₂	I ₂	T ₁	K	M	R ₃	R ₄
75	75	11.2	11.2	50	249	219	730	100	100	16.2	21	3	105.5	84.0
100	"	11.8	11.8	"	252	231	"	"	"	16.8	22	"	119.0	97.5
"	100	"	"	"	265	235	750	"	"	"	"	"	"	"
125	75	12.4	12.4	"	255	244	730	"	"	17.4	"	"	131.5	110.0
"	100	"	"	"	267	247	750	"	"	"	"	"	"	"
"	125	"	"	"	280	250	760	"	"	"	"	"	"	"
150	75	13.0	13.0	"	253	256	740	"	"	18.0	23	"	145.0	123.5
"	100	"	"	"	271	260	750	"	"	"	"	"	"	"
"	125	"	"	"	284	262	760	"	"	"	"	"	"	"
"	150	"	"	"	296	266	780	"	"	"	"	"	"	"
200	100	14.2	14.2	"	277	285	750	"	"	19.2	24	"	171.0	149.5
"	125	"	"	"	289	287	760	"	"	"	"	"	"	"
"	150	"	"	60	312	301	780	"	"	"	"	"	"	"
"	200	"	"	"	337	307	800	"	"	"	"	"	"	"
250	100	15.4	15.4	50	284	310	760	"	"	20.4	26	"	205.0	180.0
"	125	"	"	60	306	322	770	"	"	"	"	"	"	"
"	150	"	"	"	319	326	780	"	"	"	"	"	"	"
"	200	"	"	"	344	332	810	"	"	"	"	"	"	"
"	250	"	"	"	369	339	830	"	"	"	"	"	"	"
300	100	16.6	16.0	50	311	335	760	120	"	22.6	27	4	232.0	207.0

丁 字 管

(普通壓及低壓用)

$$B = I_2 + M + K + \frac{D}{10} + R + \frac{d}{2} + 30 \text{ 耗}$$

$$I = I_2 + m + k + \frac{d}{10} + R + \frac{D}{2}$$

$$J = P + \frac{d}{2} + 600 \text{ 耗}$$

$$T_1 = T + a$$

$$t_1 = t + a$$

(挿口及突縁ノ寸法ハ直管ニ同シ)

第 二 表 (其ノ一)

緑 (D)	枝 管 突 縁 (d)										重 量 耗	公稱内徑	
	R ₃	ボ-ルト孔 d' n'		t ₁	k	m	r ₃	r ₄	r ₅	ボ-ルト孔 d'' n''		D	d
62.5	19.0	4	16.2	21	3	105.5	84.0	62.5	19	4	36.2	75	75
76.0	"	"	16.8	"	"	"	"	"	"	"	45.6	100	"
"	"	"	"	22	"	119.0	97.5	76.0	"	"	49.2	"	100
88.5	"	6	17.4	21	"	105.5	84.0	62.5	"	"	55.4	125	75
"	"	"	"	22	"	119.0	97.5	76.0	"	"	59.2	"	100
"	"	"	"	"	"	131.5	110.0	88.5	"	6	62.3	"	125
102.0	"	"	18.0	21	"	105.5	84.0	62.5	"	4	66.8	150	75
"	"	"	"	22	"	119.0	97.5	76.0	"	"	70.7	"	100
"	"	"	"	"	"	131.5	110.0	88.5	"	6	73.5	"	125
"	"	"	"	23	"	145.0	123.5	102.0	"	"	77.2	"	150
128.0	"	8	19.2	22	"	119.0	97.5	76.0	"	4	96.6	200	100
"	"	"	"	"	"	131.5	100.0	88.5	"	6	99.2	"	125
"	"	"	"	23	"	145.0	123.5	102.0	"	"	105.0	"	150
"	"	"	"	24	"	171.0	149.5	128.0	"	8	114.0	"	200
154.0	22.0	"	20.4	22	"	119.0	97.5	76.0	"	4	127.0	250	100
"	"	"	"	"	"	131.5	110.0	88.5	"	6	133.0	"	125
"	"	"	"	23	"	145.0	123.5	102.0	"	"	138.0	"	150
"	"	"	"	24	"	171.0	149.5	128.0	"	8	149.0	"	200
"	"	"	"	26	"	205.0	180.0	154.0	22	"	162.0	"	250
181.0	"	10	21.0	22	"	119.0	97.5	76.0	19	4	163.0	300	100

二 突 丁

(其ノ二)

公稱内徑		管 厚		R	枝 管 ノ 長 サ					本 管 突				
D	d	T	t		B	I	J	L ₂	l ₂	T ₁	K	M	R ₅	R ₄
300	125	16.6	16.0	60	333	347	770	120	100	22.6	27	4	232.0	207.0
"	150	"	16.6	"	346	351	780	"	"	"	"	"	"	"
"	200	"	"	"	371	357	810	"	"	"	"	"	"	"
"	250	"	"	70	406	374	830	"	"	"	"	"	"	"
"	300	"	"	"	431	401	860	"	120	"	"	"	"	"
350	100	17.8	16.0	60	327	370	760	"	100	23.8	28	"	265.0	236.0
"	125	"	"	"	339	372	770	"	"	"	"	"	"	"
"	150	"	17.0	"	352	376	790	"	"	"	"	"	"	"
"	200	"	17.8	"	577	382	810	"	"	"	"	"	"	"
"	250	"	"	70	412	399	840	"	"	"	"	"	"	"
"	300	"	"	"	437	426	860	"	120	"	"	"	"	"
"	350	"	"	"	462	432	890	"	"	"	"	"	"	"
400	100	19.0	16.0	60	334	395	760	"	100	25.0	30	"	291.0	262.0
"	125	"	"	"	346	397	770	"	"	"	"	"	"	"
"	150	"	17.0	"	359	401	790	"	"	"	"	"	"	"
"	200	"	18.0	70	394	417	810	"	"	"	"	"	"	"
"	250	"	19.0	"	419	424	840	"	"	"	"	"	"	"
"	300	"	"	80	454	461	860	"	120	"	"	"	"	"
"	350	"	"	"	479	467	890	"	"	"	"	"	"	"
"	400	"	"	90	514	487	910	"	"	"	"	"	"	"
450	100	20.2	16.0	60	340	420	770	"	100	26.2	31	"	326.0	292.5
"	125	"	"	"	352	422	780	"	"	"	"	"	"	"
"	150	"	17.0	70	375	436	790	"	"	"	"	"	"	"
"	200	"	18.0	"	400	442	820	"	"	"	"	"	"	"
"	250	"	19.0	80	435	459	840	"	"	"	"	"	"	"
"	300	"	20.0	"	460	486	870	"	120	"	"	"	"	"
"	350	"	20.2	"	485	492	890	"	"	"	"	"	"	"
"	400	"	"	90	520	509	920	"	"	"	"	"	"	"
"	450	"	"	"	545	515	940	"	"	"	"	"	"	"
500	100	21.5	16.0	60	346	445	770	"	100	27.5	32	"	353.0	319.5
"	125	"	"	"	358	447	780	"	"	"	"	"	"	"
"	150	"	17.0	70	381	461	790	"	"	"	"	"	"	"
"	200	"	18.0	"	406	467	820	"	"	"	"	"	"	"
"	250	"	19.0	80	441	484	840	"	"	"	"	"	"	"
"	300	"	20.0	"	466	511	870	"	120	"	"	"	"	"
"	350	"	21.0	"	491	517	890	"	"	"	"	"	"	"
"	400	"	21.5	90	526	534	920	"	"	"	"	"	"	"

字 管

縁 (D)	枝 管 突 縁 (d)										重 量 庇	公稱内徑	
	R ₃	ボ-ルト孔 d' n'		t ₁	k	m	r ₃	r ₄	r ₅	ボ-ルト孔 d' n'		D	d
181.0	22	10	21.0	22	3	131.5	110.0	88.5	19.0	6	169.0	300	125
"	"	"	21.6	23	"	145.0	123.5	102.0	"	"	176.0	"	150
"	"	"	"	24	"	171.0	149.5	128.0	"	8	188.0	"	200
"	"	"	"	26	"	205.0	180.0	154.0	22.0	"	205.0	"	250
"	"	"	22.6	27	4	232.0	207.0	181.0	"	10	222.0	"	300
207.0	25	"	21.0	22	3	119.0	97.5	76.0	19.0	4	204.0	350	100
"	"	"	"	"	"	131.5	110.0	88.5	"	6	209.0	"	125
"	"	"	22.0	23	"	145.0	123.5	102.0	"	"	218.0	"	150
"	"	"	22.8	24	"	171.0	149.5	128.0	"	8	231.0	"	200
"	"	"	"	26	"	205.0	180.0	154.0	22.0	"	250.0	"	250
"	"	"	23.8	27	4	232.0	207.0	181.0	"	10	267.0	"	300
"	"	"	"	28	"	265.0	236.0	207.0	25.0	"	287.0	"	350
233.0	"	12	21.0	22	3	119.0	97.5	76.0	19.0	4	238.0	400	100
"	"	"	"	"	"	131.5	110.0	88.5	"	6	252.0	"	125
"	"	"	22.0	23	"	145.0	123.5	102.0	"	"	261.0	"	150
"	"	"	23.0	24	"	171.0	149.5	128.0	"	8	277.0	"	200
"	"	"	24.0	26	"	205.0	180.0	154.0	22.0	"	298.0	"	250
"	"	"	25.0	27	4	232.0	207.0	181.0	"	10	320.0	"	300
"	"	"	"	28	"	265.0	236.0	207.0	25.0	"	341.0	"	350
"	"	"	"	30	"	291.0	262.0	233.0	"	12	364.0	"	400
259.0	28.5	"	21.0	22	3	119.0	97.5	76.0	19.0	4	296.0	450	100
"	"	"	"	"	"	131.5	110.0	88.5	"	6	303.0	"	125
"	"	"	22.0	23	"	145.0	123.5	102.0	"	"	314.0	"	150
"	"	"	23.0	24	"	171.0	149.5	128.0	"	8	332.0	"	200
"	"	"	24.0	26	"	205.0	180.0	154.0	22.0	"	355.0	"	250
"	"	"	26.0	27	4	232.0	207.0	181.0	"	10	380.0	"	300
"	"	"	26.2	28	"	265.0	236.0	207.0	25.0	"	400.0	"	350
"	"	"	"	30	"	291.0	262.0	233.0	"	12	428.0	"	400
"	"	"	"	31	"	326.0	292.5	259.0	28.5	"	453.0	"	450
286.0	"	"	21.0	22	3	119.0	97.5	76.0	19.0	4	347.0	500	100
"	"	"	"	"	"	131.5	110.0	88.5	"	6	355.0	"	125
"	"	"	22.0	23	"	145.0	123.5	102.0	"	"	367.0	"	150
"	"	"	23.0	24	"	171.0	149.5	128.0	"	8	387.0	"	200
"	"	"	24.0	26	"	205.0	180.0	154.0	22.0	"	412.0	"	250
"	"	"	26.0	27	4	232.0	207.0	181.0	"	10	438.0	"	300
"	"	"	27.0	28	"	265.0	236.0	207.0	25.0	"	463.0	"	350
"	"	"	27.5	30	"	291.0	262.0	233.0	"	12	492.0	"	400

二 突 丁

(其ノ三)

公稱内徑		管 厚		R	枝 管 ノ 長 サ					本 管 突				
D	d	T	t		B	I	J	L ₂	L ₁	T ₁	K	M	R ₂	R ₁
500	450	21.5	21.5	90	551	540	940	120	120	27.5	32	4	353.0	319.5
"	500	"	"	100	561	556	970	"	"	"	"	"	"	"
600	150	23.9	17.0	80	404	521	800	"	100	29.9	35	"	405.0	371.5
"	200	"	18.0	"	429	527	820	"	"	"	"	"	"	"
"	250	"	19.0	"	454	534	850	"	"	"	"	"	"	"
"	300	"	20.0	90	489	571	870	"	120	"	"	"	"	"
"	350	"	21.0	"	514	577	900	"	"	"	"	"	"	"
"	400	"	23.0	"	539	584	920	"	"	"	"	"	"	"
"	450	"	23.9	100	574	600	950	"	"	"	"	"	"	"
"	500	"	"	"	599	606	970	"	"	"	"	"	"	"
"	600	"	"	110	659	629	1020	"	"	"	"	"	"	"
700	150	26.3	17.0	80	420	570	800	"	100	32.3	32	"	464.0	427.0
"	200	"	18.0	"	442	577	830	"	"	"	"	"	"	"
"	250	"	19.0	90	477	594	850	"	"	"	"	"	"	"
"	300	"	20.0	"	502	621	880	"	120	"	"	"	"	"
"	350	"	21.0	"	527	627	900	"	"	"	"	"	"	"
"	400	"	23.0	100	562	634	930	"	"	"	"	"	"	"
"	450	"	24.0	"	587	650	950	"	"	"	"	"	"	"
"	500	"	25.0	"	612	656	980	"	"	"	"	"	"	"
"	600	"	26.3	110	672	679	1030	"	"	"	"	"	"	"
"	700	"	"	"	722	692	1080	"	"	"	"	"	"	"
800	150	28.7	17.0	80	451	621	810	140	100	35.7	41	5	517.0	480.0
"	200	"	18.0	"	476	627	830	"	"	"	"	"	"	"
"	250	"	19.0	90	511	644	860	"	"	"	"	"	"	"
"	300	"	20.0	"	536	651	880	"	120	"	"	"	"	"
"	350	"	21.0	"	566	677	910	"	"	"	"	"	"	"
"	400	"	23.0	100	596	694	930	"	"	"	"	"	"	"
"	450	"	24.0	"	621	700	960	"	"	"	"	"	"	"
"	500	"	25.0	110	646	716	980	"	"	"	"	"	"	"
"	600	"	27.0	"	706	729	1030	"	"	"	"	"	"	"
"	700	"	28.7	120	756	752	1080	"	"	"	"	"	"	"
"	800	"	"	"	816	786	1130	"	140	"	"	"	"	"
900	200	31.1	18.0	90	469	687	840	"	100	38.1	44	"	578.0	536.5
"	250	"	19.0	"	524	694	860	"	"	"	"	"	"	"
"	300	"	20.0	"	549	721	890	"	120	"	"	"	"	"
"	350	"	21.0	100	584	737	910	"	"	"	"	"	"	"
"	400	"	23.0	"	609	744	940	"	"	"	"	"	"	"

字 管

線 (D)			枝 管 突 線 (d)							重 量 底	公稱内徑		
R ₃	ボ-ルト孔 d' n'		t ₁	k	m	r ₃	r ₄	r ₅	ボ-ルト孔 d'' n''		D	d	
286.0	28.5	12	27.5	31	4	326.0	292.5	259.0	28.5	12	521.0	500	450
"	"	"	"	32	"	353.0	319.5	286.0	"	"	545.0	"	500
338.0	"	16	22.0	23	3	145.0	123.5	102.0	19.0	6	484.0	600	150
"	"	"	23.0	24	"	171.0	149.5	128.0	"	8	504.0	"	200
"	"	"	24.0	26	"	205.0	180.0	154.0	22.0	"	532.0	"	250
"	"	"	26.0	27	4	232.0	207.0	181.0	"	10	564.0	"	300
"	"	"	27.0	28	"	265.0	236.0	207.0	25.0	"	594.0	"	350
"	"	"	29.0	30	"	291.0	262.0	233.0	"	12	625.0	"	400
"	"	"	29.9	31	"	326.0	292.5	259.0	28.5	"	666.0	"	450
"	"	"	"	32	"	353.0	319.5	286.0	"	"	694.0	"	500
"	"	"	"	35	"	405.0	371.5	338.0	"	16	761.0	"	600
390.0	31.5	"	22.0	23	3	145.0	123.5	102.0	19.0	6	624.0	700	150
"	"	"	23.0	24	"	171.0	149.5	128.0	"	8	660.0	"	200
"	"	"	24.0	26	"	205.0	180.0	154.0	22.0	"	695.0	"	250
"	"	"	26.0	27	4	232.0	207.0	181.0	"	10	730.0	"	300
"	"	"	27.0	28	"	265.0	236.0	207.0	25.0	"	761.0	"	350
"	"	"	29.0	30	"	291.0	262.0	233.0	"	12	803.0	"	400
"	"	"	30.0	31	"	326.0	292.5	259.0	28.5	"	844.0	"	450
"	"	"	31.0	32	"	353.0	319.5	286.0	"	"	881.0	"	500
"	"	"	32.3	35	"	405.0	371.5	338.0	"	16	964.0	"	600
"	"	"	"	38	"	464.0	427.0	390.0	31.5	"	1040.0	"	700
443.0	"	20	22.0	23	3	145.0	123.5	102.0	19.0	6	811.0	800	150
"	"	"	23.0	24	"	171.0	149.5	128.0	"	8	841.0	"	200
"	"	"	24.0	26	"	205.0	180.0	154.0	22.0	"	885.0	"	250
"	"	"	26.0	27	4	232.0	207.0	181.0	"	10	918.0	"	300
"	"	"	27.0	28	"	265.0	236.0	207.0	25.0	"	964.0	"	350
"	"	"	29.0	30	"	291.0	262.0	233.0	"	12	1010.0	"	400
"	"	"	30.0	31	"	326.0	292.5	259.0	28.5	"	1050.0	"	450
"	"	"	31.0	32	"	353.0	319.5	286.0	"	"	1090.0	"	500
"	"	"	33.0	35	"	405.0	371.5	338.0	"	16	1190.0	"	600
"	"	"	34.7	33	"	464.0	427.0	390.0	31.5	"	1290.0	"	700
"	"	"	35.7	41	5	517.0	480.0	443.0	"	20	1410.0	"	800
495.0	35.0	"	21.0	24	3	171.0	149.5	123.0	19.0	8	1030.0	900	200
"	"	"	24.0	26	"	205.0	180.0	154.0	22.0	"	1060.0	"	250
"	"	"	26.0	27	4	232.0	207.0	181.0	"	10	1110.0	"	300
"	"	"	27.0	28	"	265.0	236.0	207.0	25.0	"	1150.0	"	350
"	"	"	29.0	30	"	291.0	262.0	233.0	"	12	1200.0	"	400

二 突 丁

(其ノ四)

公称内径		管 厚		R	枝 管 ノ 長 サ					本 管 突				
D	d	T	t		B	I	J	L ₂	l ₂	T ₁	K	M	R ₃	R ₄
900	450	31.1	24.0	110	644	760	960	140	120	38.1	44	5	578.0	536.5
"	500	"	25.0	"	669	766	990	"	"	"	"	"	"	"
"	600	"	27.0	120	729	789	1040	"	"	"	"	"	"	"
"	700	"	29.0	"	779	802	1090	"	"	"	"	"	"	"
"	800	"	31.1	130	839	846	1140	"	140	"	"	"	"	"
"	900	"	"	"	889	859	1190	"	"	"	"	"	"	"
1000	300	33.6	20.0	100	571	781	890	"	120	40.6	46	"	631.0	589.5
"	350	"	21.0	"	596	787	920	"	"	"	"	"	"	"
"	400	"	23.0	110	631	804	940	"	"	"	"	"	"	"
"	450	"	24.0	"	656	810	970	"	"	"	"	"	"	"
"	500	"	25.0	120	691	826	990	"	"	"	"	"	"	"
"	600	"	27.0	"	731	839	1040	"	"	"	"	"	"	"
"	700	"	29.0	130	801	862	1090	"	"	"	"	"	"	"
"	800	"	31.0	"	851	896	1140	"	140	"	"	"	"	"
"	900	"	33.6	140	911	919	1190	"	"	"	"	"	"	"
"	1000	"	"	"	961	931	1240	"	"	"	"	"	"	"
1100	400	36.0	23.0	110	644	854	950	"	120	43.0	49	"	683.0	641.5
"	450	"	24.0	"	669	860	970	"	"	"	"	"	"	"
"	500	"	25.0	120	704	866	1000	"	"	"	"	"	"	"
"	600	"	27.0	"	754	889	1050	"	"	"	"	"	"	"
"	700	"	29.0	130	814	912	1100	"	"	"	"	"	"	"
"	800	"	31.0	"	864	946	1150	"	140	"	"	"	"	"
"	900	"	34.0	140	924	969	1200	"	"	"	"	"	"	"
"	1000	"	36.0	"	974	981	1250	"	"	"	"	"	"	"
"	1100	"	"	150	1034	1004	1300	"	"	"	"	"	"	"
1200	400	38.4	23.0	110	657	904	950	"	120	45.4	52	"	735.0	693.5
"	450	"	24.0	120	692	920	970	"	"	"	"	"	"	"
"	500	"	25.0	"	717	926	1000	"	"	"	"	"	"	"
"	600	"	27.0	130	777	949	1050	"	"	"	"	"	"	"
"	700	"	29.0	"	827	962	1100	"	"	"	"	"	"	"
"	800	"	31.0	140	887	1006	1150	"	140	"	"	"	"	"
"	900	"	34.0	"	937	1019	1200	"	"	"	"	"	"	"
"	1000	"	36.0	150	994	1041	1250	"	"	"	"	"	"	"
"	1100	"	38.4	"	1047	1054	1300	"	"	"	"	"	"	"
"	1200	"	"	"	1097	1037	1350	"	"	"	"	"	"	"

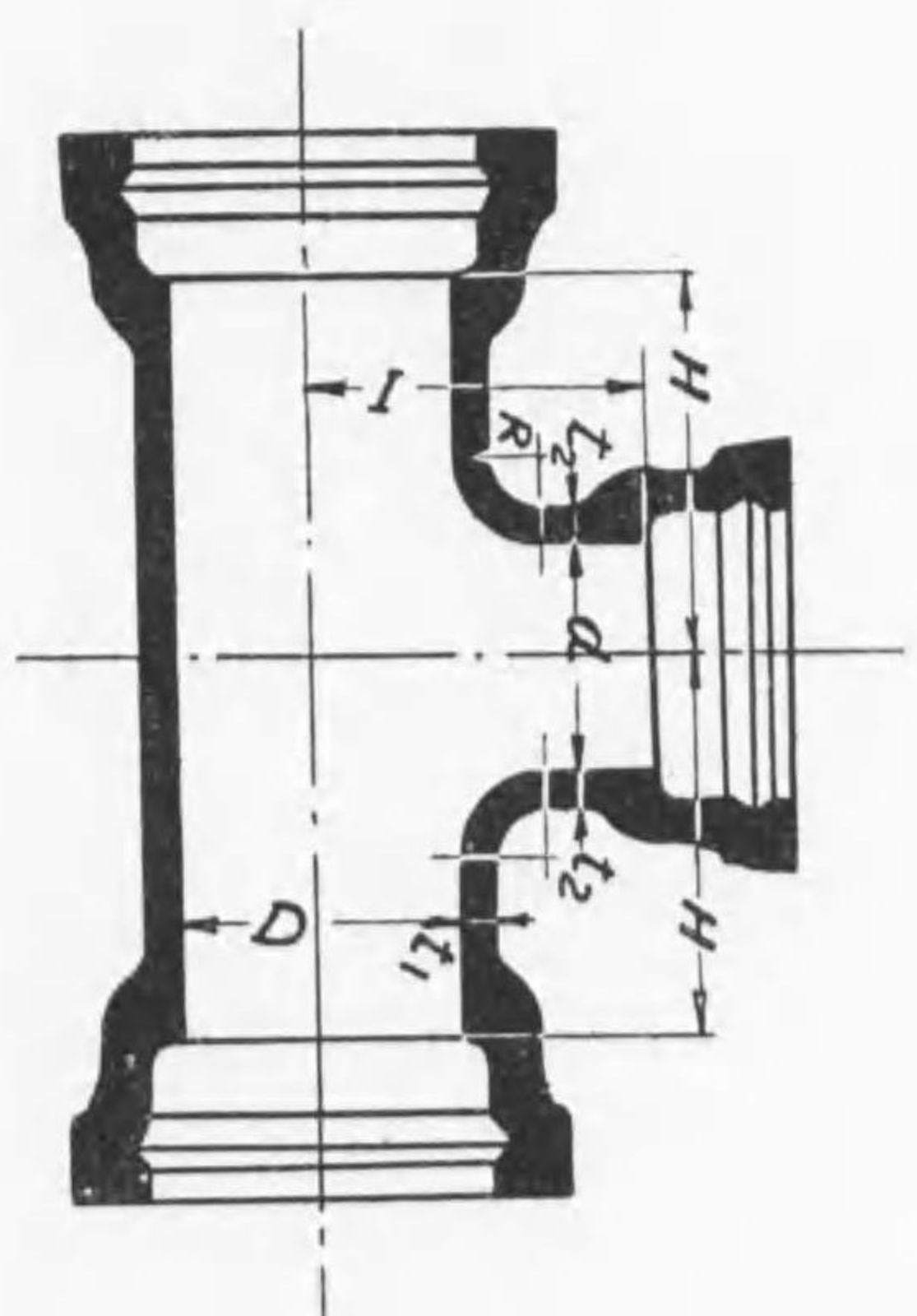
字 管

R ₃	線 (D)		枝 管 突 線 (d)							重 量 kg	公称内径		
	ホルト孔 d'	n'	t ₁	k	m	r ₃	r ₁	r ₃	ホルト孔 d''		n''	D	d
495.0	35	20	30.0	31	4	326.0	292.5	259.0	28.5	12	1250.0	900	450
"	"	"	31.0	32	"	353.0	319.5	286.0	"	"	1300.0	"	500
"	"	"	33.0	35	"	405.0	371.5	338.0	"	16	1400.0	"	600
"	"	"	35.0	38	"	464.0	427.0	390.0	31.5	"	1520.0	"	700
"	"	"	38.1	41	5	517.0	480.0	443.0	"	20	1660.0	"	800
"	"	"	"	44	"	578.0	536.5	495.0	35.0	"	1780.0	"	900
548.0	"	24	26.0	27	4	232.0	207.0	181.0	22.0	10	1360.0	1000	300
"	"	"	27.0	28	"	265.0	236.0	207.0	25.0	"	1410.0	"	350
"	"	"	29.0	30	"	291.0	262.0	233.0	"	12	1470.0	"	400
"	"	"	30.0	31	"	326.0	292.5	259.0	28.5	"	1520.0	"	450
"	"	"	31.0	32	"	353.0	319.5	286.0	"	"	1580.0	"	500
"	"	"	33.0	35	"	405.0	371.5	338.0	"	16	1680.0	"	600
"	"	"	35.0	38	"	464.0	427.0	390.0	31.5	"	1830.0	"	700
"	"	"	38.0	41	5	517.0	480.0	443.0	"	20	1960.0	"	800
"	"	"	40.6	44	"	578.0	536.5	495.0	35.0	"	2130.0	"	900
"	"	"	"	46	"	631.0	589.5	548.0	"	24	2260.0	"	1000
600.0	"	"	29.0	30	4	291.0	262.0	233.0	25.0	12	1730.0	1100	400
"	"	"	30.0	31	"	326.0	292.5	259.0	28.5	"	1780.0	"	450
"	"	"	31.0	32	"	353.0	319.5	286.0	"	"	1850.0	"	500
"	"	"	33.0	35	"	405.0	371.5	338.0	"	16	1970.0	"	600
"	"	"	35.0	38	"	464.0	427.0	390.0	31.5	"	2120.0	"	700
"	"	"	38.0	41	5	517.0	480.0	443.0	"	20	2270.0	"	800
"	"	"	41.0	44	"	578.0	536.5	495.0	35.0	"	2450.0	"	900
"	"	"	43.0	46	"	631.0	589.5	548.0	"	24	2610.0	"	1000
"	"	"	"	49	"	683.0	641.5	600.0	"	"	2780.0	"	1100
652.0	"	28	29.0	30	4	291.0	262.0	233.0	25.0	12	2010.0	1200	400
"	"	"	30.0	31	"	326.0	292.5	259.0	28.5	"	2090.0	"	450
"	"	"	31.0	32	"	353.0	319.5	286.0	"	"	2160.0	"	500
"	"	"	33.0	35	"	405.0	371.5	338.0	"	16	2300.0	"	600
"	"	"	35.0	38	"	464.0	427.0	390.0	31.5	"	2450.0	"	700
"	"	"	38.0	41	5	517.0	480.0	443.0	"	20	2630.0	"	800
"	"	"	41.0	44	"	578.0	536.5	495.0	35.0	"	2810.0	"	900
"	"	"	43.0	46	"	631.0	589.5	548.0	"	24	2990.0	"	1000
"	"	"	45.4	49	"	683.0	641.5	600.0	"	"	3190.0	"	1100
"	"	"	"	52	"	735.0	693.5	652.0	"	28	3370.0	"	1200

三 承 丁 字 管

第四號 第三表 (其ノ一)

公稱内徑	D	d	管 厚		R	投管ノ長さ		重量
			t ₁	t ₂		H	I	
75	75	75	11.2	11.2	50	200	170	34.0
100	"	100	11.8	11.8	"	"	180	42.0
"	"	"	"	"	"	210	"	45.7
125	75	75	12.4	12.4	"	"	190	50.0
"	100	100	"	"	"	220	200	54.2
"	125	125	"	"	"	230	"	57.6
150	75	75	13.0	13.0	"	210	"	60.5
"	100	100	"	"	"	220	210	64.9
"	125	125	"	"	"	230	"	68.4
"	150	150	"	"	"	250	"	74.3
200	100	100	14.2	14.2	"	230	234	85.9
"	125	125	"	"	"	240	240	90.3
"	150	150	"	"	60	250	250	97.6
"	200	200	"	"	"	290	260	109.0
250	100	100	15.4	15.4	50	240	"	113.0
"	125	125	"	"	60	260	270	120.0
"	150	150	"	"	"	270	280	127.0
"	200	200	"	"	"	300	"	139.0
"	250	250	"	"	"	320	290	153.0
300	100	100	16.6	16.6	50	240	280	137.0
"	125	125	"	"	60	260	200	145.0
"	150	150	"	"	"	280	"	154.0



(普通 壓 及 低 壓 用)

$$H = F + \frac{d}{10} + R + \frac{D}{2} + 30Fe$$

$$I = f + \frac{d}{10} + R + \frac{D}{2}$$

(承口ノ寸法ハ直管ニ同シ)

三 承 丁 字 管

(其ノ二)

公稱内徑	D	d	管 厚		R	投管ノ長さ		重量
			t ₁	t ₂		H	I	
300	200	200	16.6	16.6	60	300	310	166.0
"	250	250	"	"	70	340	330	187.0
"	300	300	"	"	"	360	"	200.0
350	100	100	17.8	16.0	60	260	320	173.0
"	125	125	"	"	"	270	"	179.0
"	150	150	"	"	"	280	330	187.0
"	200	200	"	"	"	310	"	203.0
"	250	250	"	"	70	340	350	223.0
"	300	300	"	"	"	370	360	240.0
"	350	350	"	"	"	390	"	257.0
400	100	100	19.0	16.0	60	270	340	215.0
"	125	125	"	"	"	280	350	222.0
"	150	150	"	"	"	300	"	233.0
"	200	200	"	"	70	330	370	252.0
"	250	250	"	"	"	350	380	271.0
"	300	300	"	"	80	390	390	294.0
"	350	350	"	"	90	410	400	313.0
"	400	400	"	"	"	450	420	344.0
450	100	100	20.2	16.0	60	270	370	255.0
"	125	125	"	"	"	290	"	266.0
"	150	150	"	"	70	310	390	280.0
"	200	200	"	"	"	330	"	295.0

(其ノ三)

公稱内徑	D	d	管 厚		R	投管ノ長さ		重量
			t ₁	t ₂		H	I	
450	250	250	20.2	19.0	80	370	410	324.0
"	300	300	"	20.0	"	390	420	343.0
"	350	350	"	20.2	"	420	"	366.0
"	400	400	"	"	90	450	440	396.0
"	450	450	"	"	"	480	450	424.0
500	100	100	21.5	16.0	60	280	390	300.0
"	125	125	"	"	"	300	400	313.0
"	150	150	"	"	70	320	410	328.0
"	200	200	"	"	"	340	420	345.0
"	250	250	"	"	80	380	440	377.0
"	300	300	"	"	"	400	"	395.0
"	350	350	"	"	"	430	450	425.0
"	400	400	"	"	90	460	470	457.0
"	450	450	"	"	100	490	"	490.0
600	150	150	22.9	17.0	80	340	470	436.0
"	200	200	"	18.0	"	370	480	467.0
"	250	250	"	19.0	"	390	490	490.0
"	300	300	"	"	90	430	500	525.0
"	350	350	"	"	"	460	510	551.0
"	400	400	"	"	"	480	520	589.0
"	450	450	"	22.9	100	510	530	626.0

三承丁字管

(其ノ四)

公稱内徑 D	d	管 t ₁	厚 t ₂	R	枝管ノ長さ		重量
					H	I	
600	500	23.9	23.9	100	540	540	661.0
"	600	"	"	110	600	570	740.0
700	150	26.3	17.0	80	350	520	571.0
"	200	"	18.0	"	380	530	604.0
"	250	"	19.0	90	410	550	641.0
"	300	"	20.0	"	440	"	674.0
"	350	"	21.0	"	480	560	702.0
"	400	"	22.0	100	500	580	756.0
"	450	"	24.0	"	520	"	787.0
"	500	"	25.0	"	550	600	833.0
"	600	"	26.3	110	610	630	925.0
"	700	"	"	"	680	630	1000.0
800	150	28.7	17.0	80	370	570	735.0
"	200	"	18.0	"	390	580	763.0
"	250	"	19.0	90	430	600	816.0
"	300	"	20.0	"	450	"	844.0
"	350	"	21.0	"	480	610	887.0
"	400	"	22.0	100	510	630	937.0
"	450	"	24.0	"	540	"	982.0
"	500	"	25.0	110	570	650	1030.0
"	600	"	27.0	"	620	670	1130.0
"	700	"	28.7	130	680	690	1240.0
800	800	31.1	18.0	90	420	640	977.0
"	900	"	19.0	"	440	650	1010.0
"	200	"	20.0	"	470	"	1060.0
"	300	"	21.0	100	500	670	1110.0
"	350	"	22.0	"	530	680	1160.0
"	400	"	23.0	110	560	690	1220.0
"	450	"	24.0	"	580	700	1270.0
"	500	"	25.0	120	600	730	1330.0
"	600	"	27.0	"	650	740	1500.0
"	700	"	29.0	130	700	760	1640.0
"	800	"	31.1	"	760	760	1770.0
900	300	33.6	20.0	100	500	710	1310.0
"	350	"	21.0	"	520	720	1350.0
"	400	"	22.0	110	550	740	1430.0
"	450	"	24.0	"	580	"	1470.0
"	500	"	25.0	120	610	760	1540.0
"	600	"	27.0	"	660	780	1650.0
"	700	"	29.0	130	720	800	1790.0
"	800	"	31.0	"	770	810	1920.0
"	900	"	33.6	140	830	840	2110.0
"	1000	"	"	"	880	850	2250.0

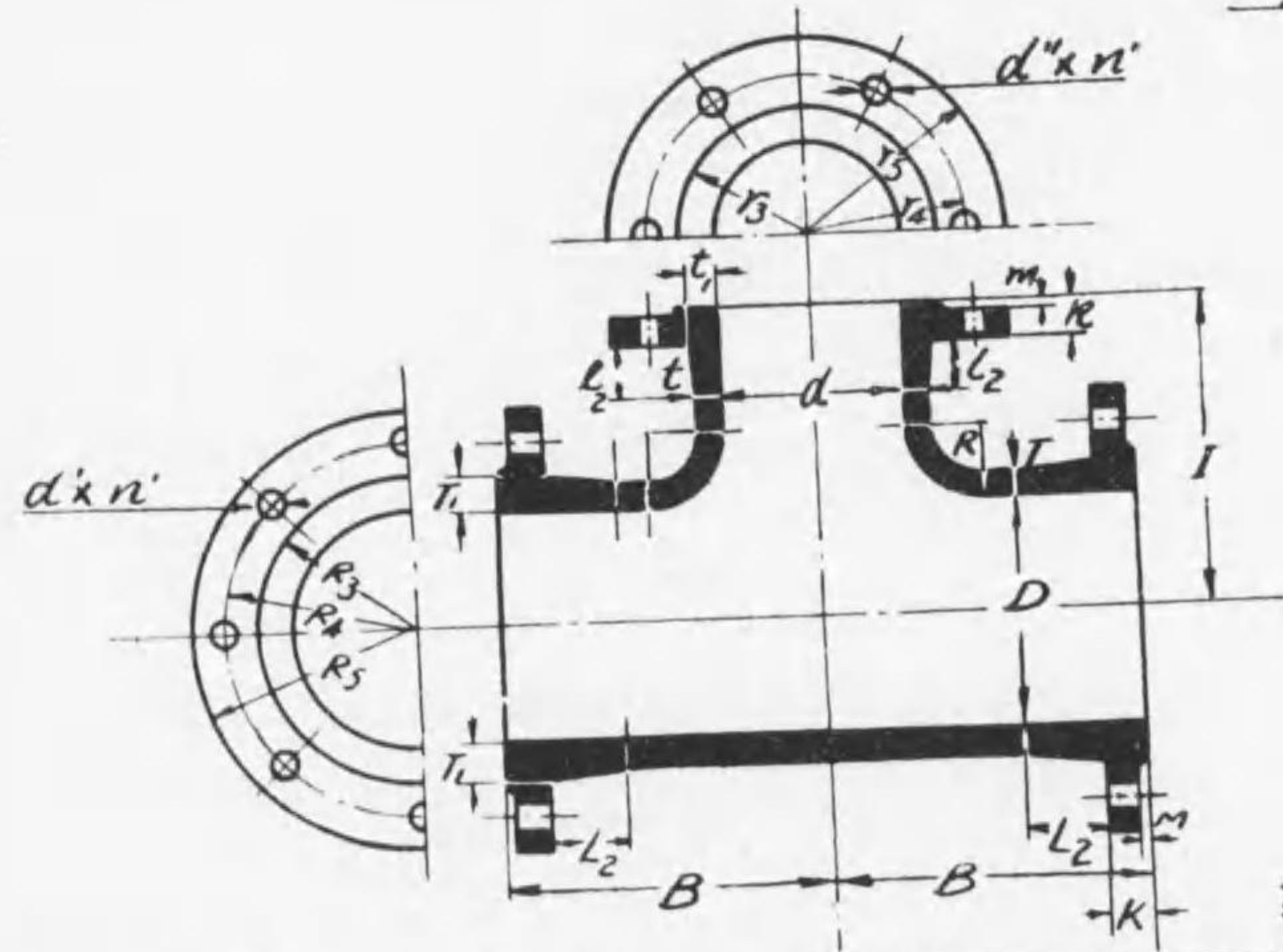
(其ノ五)

三承丁字管

(其ノ六)

公稱内徑 D	d	管 t ₁	厚 t ₂	R	枝管ノ長さ		重量
					H	I	
1100	400	36.0	23.0	110	570	790	1690.0
"	450	"	24.0	"	600	"	1750.0
"	500	"	25.0	120	630	810	1830.0
"	600	"	27.0	"	680	830	1950.0
"	700	"	29.0	130	740	850	2100.0
"	800	"	31.0	"	790	860	2240.0
"	900	"	34.0	140	850	890	2440.0
"	1000	"	26.0	"	900	900	2610.0
"	1100	"	"	150	960	930	2800.0
1200	400	38.4	23.0	110	580	840	1990.0
"	450	"	24.0	120	610	850	2070.0
"	500	"	25.0	"	640	860	2140.0
"	600	"	27.0	130	700	880	2310.0
"	700	"	29.0	"	750	900	2450.0
"	800	"	31.0	140	810	920	2630.0
"	900	"	34.0	"	860	940	2810.0
"	1000	"	36.0	150	920	960	3020.0
"	1100	"	38.4	"	970	980	3220.0
"	1200	"	"	"	1020	990	3520.0

三 突



第 四 號

公稱内徑		管 厚		R	枝 管 ノ 長 サ				本 管 突				
D	d	T	t		B	I	L ₂	l ₂	T ₁	K	M	R ₅	R ₄
75	75	11.2	11.2	50	249	219	133	109	16.2	21	3	105.5	84.0
100	"	11.8	11.8	"	252	251	"	"	16.8	23	"	119.0	97.5
"	100	"	"	"	265	235	"	"	"	"	"	"	"
125	75	12.4	12.4	"	255	241	"	"	17.1	"	"	131.5	110.0
"	100	"	"	"	267	247	"	"	"	"	"	"	"
"	125	"	"	"	283	250	"	"	"	"	"	"	"
150	75	13.0	13.0	"	253	256	"	"	18.0	23	"	145.0	125.0
"	100	"	"	"	271	263	"	"	"	"	"	"	"
"	125	"	"	"	234	262	"	"	"	"	"	"	"
"	150	"	"	"	293	266	"	"	"	"	"	"	"
200	100	14.2	14.2	"	277	235	"	"	19.2	24	"	171.0	149.5
"	125	"	"	"	239	287	"	"	"	"	"	"	"
"	150	"	"	60	312	301	"	"	"	"	"	"	"
"	200	"	"	"	337	307	"	"	"	"	"	"	"
250	100	15.4	15.4	50	234	310	"	"	20.4	26	"	205.0	180.0
"	125	"	"	60	306	322	"	"	"	"	"	"	"
"	150	"	"	"	319	326	"	"	"	"	"	"	"
"	200	"	"	"	340	332	"	"	"	"	"	"	"
"	250	"	"	"	369	339	"	"	"	"	"	"	"
300	100	16.6	16.6	50	311	335	120	"	22.6	27	4	232.0	207.0

丁 字 管

(普通壓及低壓用)

$$B = L_2 + M + K + \frac{D}{10} + R + \frac{d}{2} + 30 \text{ 耗}$$

$$I = l_2 + m + k + \frac{d}{10} + R + \frac{D}{2}$$

$$T_1 = T + a$$

$$t = t + a$$

(突縁ノ寸法ハ直管ニ同シ)

第 四 表 (其ノ一)

R ₁	線 (D)		枝 管 突					線 (d)		重 量 庇	公稱内徑		
	ボ-ルト孔 d'	n'	t	k	m	r _i	r ₄	r ₃	ボ-ルト孔 d''		n''	D	d
62.5	19	4	16.2	21	3	135.5	84.0	62.5	19	4	31.7	75	75
76.0	"	"	16.8	"	"	"	"	"	"	"	38.8	100	"
"	"	"	"	22	"	119.0	97.5	76.0	"	"	42.2	"	100
88.5	"	6	17.4	21	"	105.5	84.0	62.5	"	"	45.5	125	75
"	"	"	"	22	"	119.0	97.5	76.0	"	"	49.0	"	100
"	"	"	"	"	"	131.5	110.0	83.5	"	6	52.2	"	125
102.0	"	"	18.0	21	"	105.5	84.0	62.5	"	4	52.4	150	75
"	"	"	"	22	"	119.0	97.5	76.0	"	"	57.8	"	100
"	"	"	"	"	"	131.5	110.0	83.5	"	6	60.7	"	125
"	"	"	"	23	"	145.0	123.5	102.0	"	"	61.0	"	150
128.0	"	8	19.2	22	"	119.0	97.5	76.0	"	4	75.8	200	100
"	"	"	"	"	"	131.5	110.0	83.5	"	6	79.6	"	125
"	"	"	"	23	"	145.0	123.5	102.0	"	"	81.7	"	150
"	"	"	"	24	"	171.0	149.5	128.0	"	8	94.8	"	200
154.0	22	"	20.4	22	"	119.0	97.5	76.0	"	4	102.0	250	100
"	"	"	"	"	"	131.5	110.0	83.5	"	6	108.0	"	125
"	"	"	"	23	"	145.0	123.5	102.0	"	"	114.0	"	150
"	"	"	"	24	"	171.0	149.5	128.0	"	8	124.0	"	200
"	"	"	"	26	"	205.0	130.0	154.0	22	"	133.0	"	250
181.0	"	10	21.0	22	"	119.0	97.5	76.0	19	4	133.0	300	100

三 突 丁

(其 ノ 二)

公稱内徑		管 厚		R	枝 管 ノ 長 サ				本 管 突				
D	d	T	t		B	I	L ₂	l ₂	T ₁	K	M	R ₅	R ₄
300	125	16.6	16.0	60	333	347	120	100	22.6	27	4	232.0	207.0
"	150	"	16.6	"	346	351	"	"	"	"	"	"	"
"	200	"	"	"	371	357	"	"	"	"	"	"	"
"	250	"	"	70	406	374	"	"	"	"	"	"	"
"	300	"	"	"	431	401	"	120	"	"	"	"	"
350	100	17.8	16.0	60	327	370	"	100	23.8	28	"	265.0	236.0
"	125	"	"	"	339	372	"	"	"	"	"	"	"
"	150	"	17.0	"	352	376	"	"	"	"	"	"	"
"	200	"	17.8	"	377	382	"	"	"	"	"	"	"
"	250	"	"	70	412	399	"	"	"	"	"	"	"
"	300	"	"	"	437	426	"	120	"	"	"	"	"
"	350	"	"	"	462	432	"	"	"	"	"	"	"
400	100	19.0	16.0	60	334	395	"	100	25.0	30	"	291.0	262.0
"	125	"	"	"	346	397	"	"	"	"	"	"	"
"	150	"	17.0	"	359	401	"	"	"	"	"	"	"
"	200	"	18.0	70	394	417	"	"	"	"	"	"	"
"	250	"	19.0	"	419	424	"	"	"	"	"	"	"
"	300	"	"	80	454	461	"	120	"	"	"	"	"
"	350	"	"	"	479	467	"	"	"	"	"	"	"
"	400	"	"	90	514	487	"	"	"	"	"	"	"
450	100	20.2	16.0	60	340	420	"	100	26.2	31	"	326.0	292.5
"	125	"	"	"	352	422	"	"	"	"	"	"	"
"	150	"	17.0	70	375	436	"	"	"	"	"	"	"
"	200	"	18.0	"	400	442	"	"	"	"	"	"	"
"	250	"	19.0	80	435	459	"	"	"	"	"	"	"
"	300	"	20.0	"	460	486	"	120	"	"	"	"	"
"	350	"	20.2	"	485	492	"	"	"	"	"	"	"
"	400	"	"	90	520	509	"	"	"	"	"	"	"
"	450	"	"	"	545	515	"	"	"	"	"	"	"
500	100	21.5	16.0	60	346	445	"	100	27.5	32	"	352.0	319.5
"	125	"	"	"	358	447	"	"	"	"	"	"	"
"	150	"	17.0	70	381	461	"	"	"	"	"	"	"
"	200	"	18.0	"	406	467	"	"	"	"	"	"	"
"	250	"	19.0	80	441	484	"	"	"	"	"	"	"
"	300	"	20.0	"	466	511	"	120	"	"	"	"	"
"	350	"	21.0	"	491	517	"	"	"	"	"	"	"
"	400	"	21.5	90	526	534	"	"	"	"	"	"	"

字 管

R ₃	縁 (D)		枝 管 突 縁 (d)							重 量 kg	公稱内徑		
	d'	n'	t ₁	k	m	r ₅	r ₄	r ₃	d''		n''	D	d
181.0	22.0	10	21.0	22	3	131.5	110.0	88.5	19.0	6	141.0	300	125
"	"	"	21.6	23	"	145.0	123.5	102.0	"	"	147.0	"	150
"	"	"	"	24	"	171.0	149.5	128.0	"	8	159.0	"	200
"	"	"	"	26	"	205.0	180.0	154.0	22.0	"	178.0	"	250
"	"	"	22.6	27	4	232.0	207.0	181.0	"	10	195.0	"	300
207.0	25.0	"	21.0	22	3	119.0	97.5	76.0	19.0	4	170.0	350	100
"	"	"	"	"	"	131.5	110.0	88.5	"	6	175.0	"	125
"	"	"	22.0	23	"	145.0	123.5	102.0	"	"	182.0	"	150
"	"	"	22.8	24	"	171.0	149.5	123.0	"	8	196.0	"	200
"	"	"	"	26	"	205.0	180.0	154.0	22.0	"	217.0	"	250
"	"	"	23.8	27	4	232.0	207.0	181.0	"	10	235.0	"	300
"	"	"	"	28	"	265.0	236.0	207.0	25.0	"	251.0	"	350
233.0	"	12	21.0	22	3	119.0	97.5	76.0	19.0	4	204.0	400	100
"	"	"	"	"	"	131.5	110.0	88.5	"	6	211.0	"	125
"	"	"	22.0	23	"	145.0	123.5	102.0	"	"	219.0	"	150
"	"	"	23.0	24	"	171.0	149.5	128.0	"	8	239.0	"	200
"	"	"	24.0	26	"	205.0	180.0	154.0	22.0	"	254.0	"	250
"	"	"	25.0	27	4	232.0	207.0	181.0	"	10	282.0	"	300
"	"	"	"	28	"	265.0	236.0	207.0	25.0	"	302.0	"	350
"	"	"	"	30	"	291.0	262.0	233.0	"	12	323.0	"	400
259.0	28.5	"	21.0	22	3	119.0	97.5	76.0	19.0	4	248.0	450	100
"	"	"	"	"	"	131.5	110.0	88.5	"	6	258.0	"	125
"	"	"	22.0	23	"	145.0	123.5	102.0	"	"	269.0	"	150
"	"	"	23.0	24	"	171.0	149.5	128.0	"	8	286.0	"	200
"	"	"	24.0	26	"	205.0	180.0	154.0	22.0	"	316.0	"	250
"	"	"	26.0	27	4	232.0	207.0	181.0	"	10	336.0	"	300
"	"	"	26.2	28	"	265.0	236.0	207.0	25.0	"	357.0	"	350
"	"	"	"	30	"	291.0	262.0	233.0	"	12	386.0	"	400
"	"	"	"	31	"	326.0	292.5	259.0	28.5	"	412.0	"	450
286.0	"	"	21.0	22	3	119.0	97.5	76.0	19.0	4	291.0	500	100
"	"	"	"	"	"	131.5	110.0	88.5	"	6	299.0	"	125
"	"	"	22.0	23	"	145.0	123.5	102.0	"	"	314.0	"	150
"	"	"	23.0	24	"	171.0	149.5	123.0	"	8	333.0	"	200
"	"	"	24.0	26	"	205.0	180.0	154.0	22.0	"	361.0	"	250
"	"	"	26.0	27	4	232.0	207.0	181.0	"	10	387.0	"	300
"	"	"	27.0	28	"	265.0	236.0	207.0	25.0	"	412.0	"	350
"	"	"	27.5	30	"	291.0	262.0	233.0	"	12	443.0	"	400

三 突 丁

(共 3 三)

公稱内徑		管 厚		R	枝 管 ノ 長 サ				本 管 突				
D	d	T	t		B	I	L ₁	L ₂	T ₁	K	M	R ₁	R ₂
500	450	21.5	21.5	90	551	540	120	120	27.5	32	4	353.0	319.5
"	500	"	"	100	561	556	"	"	"	"	"	"	"
600	150	23.9	17.0	80	404	521	"	100	29.9	35	"	405.0	371.5
"	200	"	18.0	"	429	527	"	"	"	"	"	"	"
"	250	"	19.0	"	454	534	"	"	"	"	"	"	"
"	300	"	20.0	90	489	571	"	120	"	"	"	"	"
"	350	"	21.0	"	514	577	"	"	"	"	"	"	"
"	400	"	23.0	"	539	584	"	"	"	"	"	"	"
"	450	"	23.9	100	574	600	"	"	"	"	"	"	"
"	500	"	"	"	599	606	"	"	"	"	"	"	"
"	600	"	"	110	659	629	"	"	"	"	"	"	"
700	150	26.3	17.0	80	420	570	"	100	32.3	38	"	464.0	427.0
"	200	"	18.0	"	442	577	"	"	"	"	"	"	"
"	250	"	19.0	90	477	594	"	"	"	"	"	"	"
"	300	"	20.0	"	502	621	"	120	"	"	"	"	"
"	350	"	21.0	"	527	627	"	"	"	"	"	"	"
"	400	"	23.0	100	562	634	"	"	"	"	"	"	"
"	450	"	24.0	"	587	650	"	"	"	"	"	"	"
"	500	"	25.0	"	612	656	"	"	"	"	"	"	"
"	600	"	26.3	110	672	679	"	"	"	"	"	"	"
"	700	"	"	"	722	692	"	"	"	"	"	"	"
800	150	28.7	17.0	80	451	621	140	100	35.7	41	5	517.0	480.0
"	200	"	18.0	"	476	627	"	"	"	"	"	"	"
"	250	"	19.0	90	511	644	"	"	"	"	"	"	"
"	300	"	20.0	"	536	651	"	120	"	"	"	"	"
"	350	"	21.0	"	566	677	"	"	"	"	"	"	"
"	400	"	23.0	100	596	694	"	"	"	"	"	"	"
"	450	"	24.0	"	621	700	"	"	"	"	"	"	"
"	500	"	25.0	110	646	716	"	"	"	"	"	"	"
"	600	"	27.0	"	706	729	"	"	"	"	"	"	"
"	700	"	28.7	120	756	752	"	"	"	"	"	"	"
"	800	"	"	"	816	786	"	140	"	"	"	"	"
900	200	31.1	18.0	90	469	687	"	100	38.1	44	"	578.0	536.5
"	250	"	19.0	"	524	694	"	"	"	"	"	"	"
"	300	"	20.0	"	549	721	"	120	"	"	"	"	"
"	350	"	21.0	100	584	737	"	"	"	"	"	"	"
"	400	"	23.0	"	609	744	"	"	"	"	"	"	"

字 管

縁 (D)			枝 管 突 縁 (d)							重 量 kg	公稱内徑		
R ₂	ボ-ルト孔 d' n'		t ₁	k	m	r ₂	r ₁	r ₃	ボ-ルト孔 d'' n''		D	d	
286.0	28.5	12	27.5	31	4	326.0	292.5	259.0	23.5	12	472.0	500	450
"	"	"	"	32	"	353.0	319.5	286.0	"	"	492.0	"	500
338.0	"	16	22.0	23	3	145.0	123.5	102.0	19.0	6	418.0	600	150
"	"	"	23.0	24	"	171.0	149.5	128.0	"	8	440.0	"	200
"	"	"	24.0	26	"	205.0	180.0	154.0	22.0	"	466.0	"	250
"	"	"	26.0	27	4	232.0	207.0	181.0	"	10	502.0	"	300
"	"	"	27.0	28	"	265.0	236.0	207.0	25.0	"	532.0	"	350
"	"	"	29.0	30	"	291.0	262.0	233.0	"	12	564.0	"	400
"	"	"	29.9	31	"	326.0	292.5	259.0	28.5	"	603.0	"	450
"	"	"	"	32	"	353.0	319.5	286.0	"	"	633.0	"	500
"	"	"	"	35	"	405.0	371.5	338.0	"	16	707.0	"	600
390.0	31.5	"	22.0	23	3	145.0	123.5	102.0	19.0	6	556.0	700	150
"	"	"	23.0	24	"	171.0	149.5	128.0	"	8	601.0	"	200
"	"	"	24.0	26	"	205.0	180.0	154.0	22.0	"	621.0	"	250
"	"	"	26.0	27	4	232.0	207.0	181.0	"	10	654.0	"	300
"	"	"	27.0	28	"	265.0	233.0	207.0	25.0	"	687.0	"	350
"	"	"	29.0	30	"	291.0	262.0	233.0	"	12	732.0	"	400
"	"	"	30.0	31	"	326.0	292.5	259.0	28.5	"	772.0	"	450
"	"	"	31.0	32	"	353.0	319.5	286.0	"	"	809.0	"	500
"	"	"	32.3	35	"	405.0	371.5	338.0	"	16	897.0	"	600
"	"	"	"	38	"	464.0	427.0	390.0	31.5	"	976.0	"	700
443.0	"	20	22.0	23	3	145.0	123.5	102.0	19.0	6	733.0	800	150
"	"	"	23.0	24	"	171.0	149.5	128.0	"	8	763.0	"	200
"	"	"	24.0	26	"	205.0	180.0	154.0	22.0	"	813.0	"	250
"	"	"	26.0	27	4	232.0	207.0	181.0	"	10	849.0	"	300
"	"	"	27.0	28	"	265.0	236.0	207.0	25.0	"	895.0	"	350
"	"	"	29.0	30	"	291.0	262.0	233.0	"	12	943.0	"	400
"	"	"	30.0	31	"	326.0	292.5	259.0	28.5	"	986.0	"	450
"	"	"	31.0	32	"	353.0	319.5	286.0	"	"	1030.0	"	500
"	"	"	33.0	35	"	405.0	371.5	338.0	"	16	1130.0	"	600
"	"	"	34.7	38	"	464.0	427.0	390.0	31.5	"	1240.0	"	700
"	"	"	35.7	41	5	517.0	480.0	443.0	"	20	1360.0	"	800
495.0	35.0	"	23.0	24	3	171.0	149.5	128.0	19.0	8	928.0	900	200
"	"	"	24.0	26	"	205.0	180.0	154.0	22.0	"	967.0	"	250
"	"	"	26.0	27	4	232.0	207.0	181.0	"	10	1010.0	"	300
"	"	"	27.0	28	"	265.0	236.0	207.0	25.0	"	1060.0	"	350
"	"	"	29.0	30	"	291.0	262.0	233.0	"	12	1110.0	"	400

三 突 丁

(其 ノ 四)

公稱内徑		管 厚		R	枝 管 ノ 長 サ				本 管 突				
D	d	T	t		B	I	L ₂	l ₂	T ₁	K	M	R ₁	R ₁
900	450	31.1	24.0	110	644	760	140	120	38.1	44	5	578.0	536.5
"	500	"	25.0	"	669	766	"	"	"	"	"	"	"
"	600	"	27.0	120	729	789	"	"	"	"	"	"	"
"	700	"	29.0	"	779	802	"	"	"	"	"	"	"
"	800	"	31.1	130	839	846	"	140	"	"	"	"	"
"	900	"	"	"	889	859	"	"	"	"	"	"	"
1000	300	33.6	20.0	100	571	781	"	120	40.6	46	"	631.0	589.5
"	350	"	21.0	"	596	787	"	"	"	"	"	"	"
"	400	"	23.0	110	631	804	"	"	"	"	"	"	"
"	450	"	24.0	"	656	810	"	"	"	"	"	"	"
"	500	"	25.0	120	691	826	"	"	"	"	"	"	"
"	600	"	27.0	"	731	839	"	"	"	"	"	"	"
"	700	"	29.0	130	801	862	"	"	"	"	"	"	"
"	800	"	31.0	"	851	896	"	140	"	"	"	"	"
"	900	"	33.6	140	911	919	"	"	"	"	"	"	"
"	1000	"	"	"	961	931	"	"	"	"	"	"	"
1100	400	36.0	23.0	110	644	854	"	120	43.0	49	"	683.0	641.5
"	450	"	24.0	"	669	860	"	"	"	"	"	"	"
"	500	"	25.0	120	704	866	"	"	"	"	"	"	"
"	600	"	27.0	"	754	889	"	"	"	"	"	"	"
"	700	"	29.0	130	814	912	"	"	"	"	"	"	"
"	800	"	31.0	"	864	946	"	140	"	"	"	"	"
"	900	"	34.0	140	924	969	"	"	"	"	"	"	"
"	1000	"	36.0	"	974	981	"	"	"	"	"	"	"
"	1100	"	"	150	1034	1004	"	"	"	"	"	"	"
1200	400	38.4	23.0	110	657	904	"	120	45.4	52	"	735.0	693.5
"	450	"	24.0	120	692	920	"	"	"	"	"	"	"
"	500	"	25.0	"	717	926	"	"	"	"	"	"	"
"	600	"	27.0	130	777	949	"	"	"	"	"	"	"
"	700	"	29.0	"	827	962	"	"	"	"	"	"	"
"	800	"	31.0	140	887	1006	"	140	"	"	"	"	"
"	900	"	34.0	"	937	1019	"	"	"	"	"	"	"
"	1000	"	36.0	150	994	1041	"	"	"	"	"	"	"
"	1100	"	38.4	"	1047	1054	"	"	"	"	"	"	"
"	1200	"	"	"	1097	1067	"	"	"	"	"	"	"

字 管

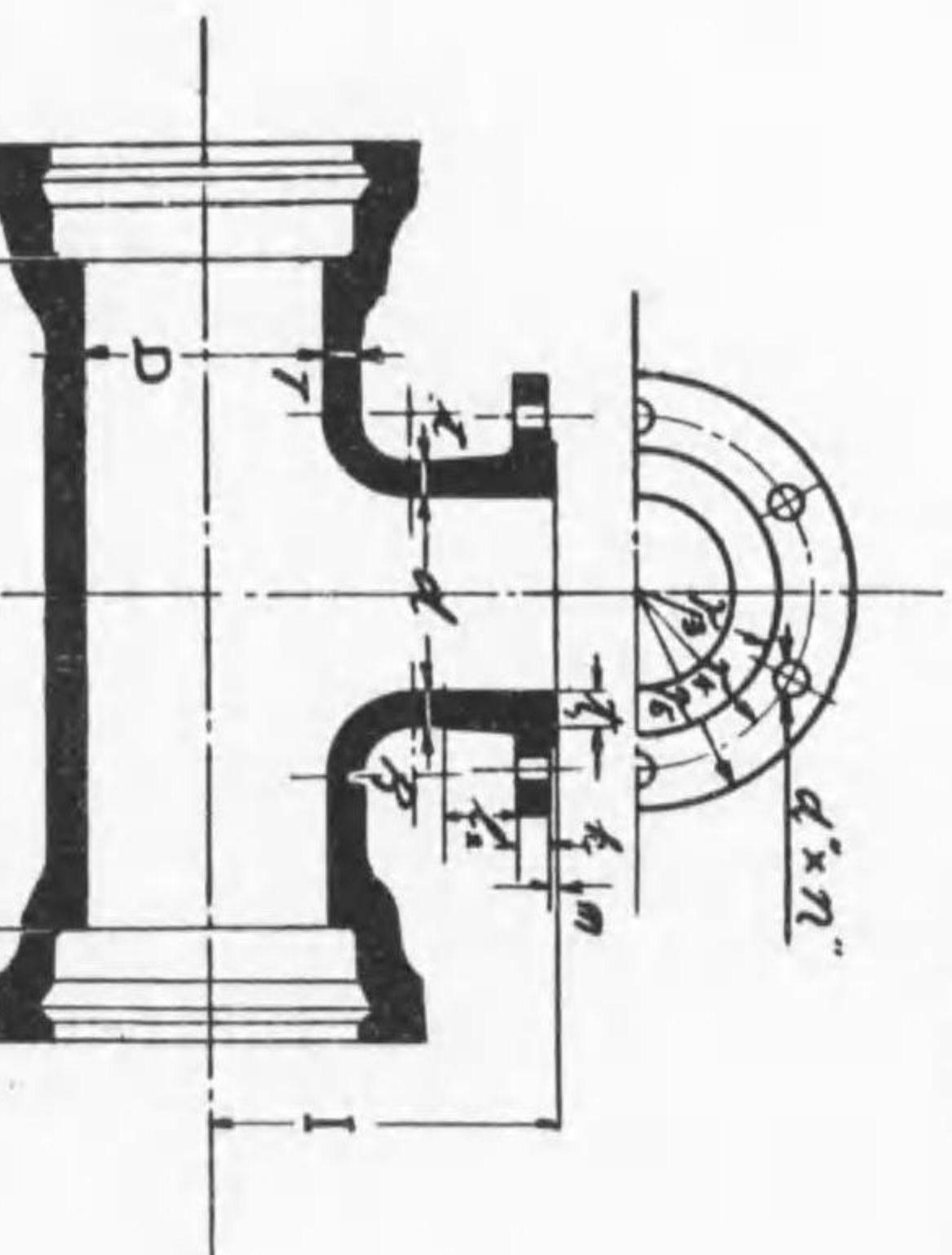
縁 (D)		枝 管 突 縁 (d)							重 量		公稱内徑		
R ₁	ボールト孔 d' r'	t ₁	k	m	r ₂	r ₄	r ₃	ボールト孔 d' r'	重 量 庇	D	d		
495.0	35.0	20	30.0	31	4	326.0	292.5	259.0	28.5	12	1170.0	900	450
"	"	"	31.0	32	"	353.0	319.5	286.0	"	"	1210.0	"	500
"	"	"	33.0	35	"	405.0	371.5	338.0	"	16	1320.0	"	600
"	"	"	35.0	38	"	461.0	427.0	390.0	31.5	"	1430.0	"	700
"	"	"	38.1	41	5	517.0	480.0	443.0	"	20	1580.0	"	800
"	"	"	"	44	"	578.0	536.5	495.0	35.0	"	1700.0	"	900
548.0	"	24	26.0	27	4	232.0	207.0	181.0	22.0	10	1270.0	1000	300
"	"	"	27.0	28	"	265.0	236.0	207.0	25.0	"	1320.0	"	350
"	"	"	29.0	30	"	291.0	262.0	233.0	"	12	1390.0	"	400
"	"	"	30.0	31	"	326.0	292.5	259.0	28.5	"	1440.0	"	450
"	"	"	31.0	32	"	353.0	319.5	286.0	"	"	1510.0	"	500
"	"	"	33.0	35	"	405.0	371.5	338.0	"	16	1600.0	"	600
"	"	"	35.0	38	"	464.0	427.0	390.0	31.5	"	1760.0	"	700
"	"	"	38.0	41	5	517.0	480.0	443.0	"	20	1900.0	"	800
"	"	"	40.6	44	"	578.0	536.5	495.0	35.0	"	2080.0	"	900
"	"	"	"	46	"	631.0	589.5	548.0	"	24	2210.0	"	1000
600.0	"	"	29.0	30	4	291.0	262.0	233.0	25.0	12	1640.0	1100	400
"	"	"	30.0	31	"	326.0	292.5	259.0	28.5	"	1700.0	"	450
"	"	"	31.0	32	"	353.0	319.5	286.0	"	"	1780.0	"	500
"	"	"	33.0	35	"	405.0	371.5	338.0	"	16	1900.0	"	600
"	"	"	35.0	38	"	464.0	427.0	390.0	31.5	"	2050.0	"	700
"	"	"	38.0	41	5	517.0	480.0	443.0	"	20	2200.0	"	800
"	"	"	41.0	44	"	578.0	536.5	495.0	35.0	"	2400.0	"	900
"	"	"	43.0	46	"	631.0	589.5	548.0	"	24	2560.0	"	1000
"	"	"	"	49	"	683.0	641.5	600.0	"	"	2740.0	"	1100
652.0	"	28	29.0	30	4	291.0	262.0	233.0	25.0	12	1930.0	1200	400
"	"	"	30.0	31	"	326.0	292.5	259.0	28.5	"	2020.0	"	450
"	"	"	31.0	32	"	353.0	319.5	286.0	"	"	2070.0	"	500
"	"	"	33.0	35	"	405.0	371.5	338.0	"	16	2240.0	"	600
"	"	"	35.0	38	"	464.0	427.0	390.0	31.5	"	2380.0	"	700
"	"	"	38.0	41	5	517.0	480.0	443.0	"	20	2570.0	"	800
"	"	"	41.0	44	"	578.0	536.5	495.0	35.0	"	2750.0	"	900
"	"	"	43.0	46	"	631.0	589.5	548.0	"	24	2950.0	"	1000
"	"	"	45.4	49	"	683.0	641.5	600.0	"	"	3200.0	"	1100
"	"	"	"	52	"	735.0	693.5	652.0	"	28	3340.0	"	1200

二承一突丁字管

(普通壓及低壓用)

$$I = l_0 + m + k + \frac{d}{10} + R + \frac{D}{2}$$

$$H = F + \frac{D}{10} + R + \frac{d}{2} + 30 \text{ 耗}$$



第四號 第五表 (其ノ一)

公稱内徑 D	d	管 T	厚 t	R	枝管ノ長さ			管 突			縁 (d)		重 量			
					H	I	l ₀	t ₁	k	m	r ₁	r ₂		r ₃	ボルト孔 d/n'	
75	75	11.2	11.2	50	200	219	100	16.2	21	3	105.5	84.0	62.5	19.0	4	32.4
100	"	11.8	11.8	"	"	231	"	16.8	"	"	"	"	"	"	"	40.5
"	100	"	"	"	210	235	"	"	22	"	119.0	97.5	76.0	"	"	43.5
125	75	12.4	12.4	"	"	244	"	17.4	21	"	105.5	84.0	62.5	"	"	48.6
"	100	"	"	"	220	247	"	"	22	"	119.0	97.5	76.0	"	"	52.8
"	125	"	"	"	230	250	"	"	"	"	131.5	110.0	88.5	"	"	57.8

二承一突丁字管

(其ノ二)

公稱内徑 D	d	管 T	厚 t	R	枝管ノ長さ			管 突			縁 (d)		重 量			
					H	I	l ₀	t ₁	k	m	r ₁	r ₂		r ₃	ボルト孔 d/n'	
150	75	13.0	13.0	50	210	256	100	18.0	21	3	105.5	84.0	62.5	19.0	4	59.3
"	100	"	"	"	220	260	"	"	22	"	119.0	97.5	76.0	"	"	63.3
"	125	"	"	"	230	262	"	"	"	"	131.5	110.0	88.5	"	"	66.3
"	150	"	"	"	250	266	"	"	23	"	145.0	123.5	102.0	"	"	70.5
200	100	14.2	14.2	"	230	285	"	19.2	22	"	119.0	97.5	76.0	"	4	85.0
"	125	"	"	"	240	287	"	"	"	"	131.5	110.0	88.5	"	6	88.6
"	150	"	"	60	260	301	"	"	23	"	145.0	123.5	102.0	"	"	94.3
"	200	"	"	"	290	307	"	"	24	"	171.0	149.5	128.0	"	8	104.0
250	100	15.4	15.4	50	240	310	"	20.4	22	"	119.0	97.5	76.0	"	4	113.0
"	125	"	"	60	260	322	"	"	"	"	131.5	110.0	88.5	"	6	118.0
"	150	"	"	"	270	326	"	"	23	"	145.0	123.5	102.0	"	"	124.0
"	200	"	"	"	300	332	"	"	24	"	171.0	149.5	128.0	"	8	135.0
"	250	"	"	"	320	339	"	"	26	"	205.0	180.0	154.0	22.0	"	148.0
300	100	16.6	16.0	50	240	335	"	21.0	22	"	119.0	97.5	76.0	19.0	4	136.0
"	125	"	16.6	60	260	347	"	"	"	"	131.5	110.0	88.5	"	6	144.0
"	150	"	"	"	280	351	"	"	23	"	145.0	123.5	102.0	"	"	152.0
"	200	"	"	"	300	357	"	21.6	24	"	171.0	149.5	128.0	"	8	163.0
"	250	"	"	70	340	374	"	"	26	"	205.0	180.0	154.0	22.0	"	182.0

二 承 一 突 丁 字 管

(片 3)

公称内径 D	内径 d	管 T	厚 t	R	枝管ノ長さ			枝管			突 縁			(d)		重量 kg
					H	I	l ₂	k	m	r ₃	r ₄	r ₅	r ₁	r ₂	アール孔 d'	
300	300	16.6	6.6	70	360	401	120	22.6	27	4	222.0	207.0	131.0	22.0	10	193.0
350	100	17.8	16.0	60	260	370	100	21.0	22	3	119.0	97.5	76.0	19.0	4	172.0
"	125	"	"	"	270	372	"	"	"	"	131.5	110.0	88.5	"	6	178.0
"	150	"	17.0	"	280	376	"	22.0	23	"	145.0	123.5	102.0	"	"	184.0
"	200	"	17.8	"	310	382	"	22.8	24	"	171.0	149.5	128.0	"	8	199.0
"	250	"	"	70	340	389	"	"	26	"	205.0	180.0	154.0	22.0	"	213.0
"	300	"	"	"	370	399	120	23.8	27	4	232.0	207.0	181.0	"	10	239.0
"	350	"	"	"	390	432	"	"	28	"	265.0	236.0	207.0	25.0	"	276.0
400	100	19.0	16.0	60	270	385	100	21.0	22	3	119.0	97.5	76.0	19.0	4	214.0
"	125	"	"	"	280	397	"	"	"	"	131.5	111.0	88.5	"	6	220.0
"	150	"	17.0	"	300	401	"	22.0	23	"	145.0	123.5	102.0	"	"	221.0
"	200	"	18.0	70	330	417	"	23.0	24	"	171.0	149.5	128.0	"	8	249.0
"	250	"	19.0	"	370	424	"	24.0	26	"	205.0	180.0	154.0	22.0	"	266.0
"	300	"	"	80	390	461	130	25.0	27	4	232.0	207.0	181.0	"	10	292.0
"	350	"	"	"	410	467	"	"	28	"	265.0	236.0	207.0	25.0	"	310.0
"	400	"	"	90	450	487	"	"	30	"	291.0	262.0	233.0	"	12	338.0
450	100	20.2	16.0	60	270	420	100	21.0	22	3	119.0	97.5	76.0	19.0	4	234.0
"	125	"	"	"	290	422	"	"	"	"	131.5	110.0	88.5	"	6	265.0

二 承 一 突 丁 字 管

(其 4)

公称内径 D	内径 d	管 T	厚 t	R	枝管ノ長さ			枝管			突 縁			(d)		重量 kg
					H	I	l ₂	k	m	r ₃	r ₄	r ₅	r ₁	r ₂	アール孔 d'	
450	150	20.2	17.0	70	310	436	100	22.0	23	3	145.0	133.5	102.0	19.0	6	278.0
"	200	"	18.0	"	330	442	"	23.0	24	"	171.0	149.5	128.0	"	8	292.0
"	250	"	19.0	80	370	459	"	24.0	26	"	205.0	180.0	154.0	22.0	"	320.0
"	300	"	20.0	"	390	486	120	26.0	27	4	232.0	207.0	181.0	"	10	342.0
"	350	"	20.2	"	420	492	"	26.2	28	"	265.0	236.0	207.0	25.0	"	365.0
"	400	"	"	90	450	509	"	"	30	"	291.0	262.0	233.0	"	12	392.0
"	450	"	"	"	480	515	"	"	31	"	326.0	292.5	259.0	28.5	"	420.0
500	100	21.5	16.0	60	280	445	100	21.0	22	3	119.0	97.5	76.0	19.0	4	299.0
"	125	"	"	"	300	447	"	"	"	"	131.5	110.0	88.5	"	6	311.0
"	150	"	17.0	70	320	461	"	22.0	23	"	145.0	123.5	102.0	"	"	325.0
"	200	"	18.0	"	340	467	"	23.0	24	"	171.0	149.5	128.0	"	8	342.0
"	250	"	19.0	80	380	484	"	24.0	26	"	205.0	180.0	154.0	22.0	"	372.0
"	300	"	20.0	"	400	511	120	26.0	27	4	232.0	207.0	181.0	25.0	10	395.0
"	350	"	21.0	"	430	517	"	27.0	28	"	265.0	236.0	207.0	"	"	422.0
"	400	"	21.5	90	460	534	"	27.5	30	"	291.0	262.0	233.0	"	12	438.0
"	450	"	"	"	490	540	"	"	31	"	326.0	292.5	259.0	28.5	"	483.0
"	500	"	"	"	520	556	"	"	32	"	353.0	319.5	286.0	"	"	513.0
600	150	23.9	17.0	80	340	521	100	22.0	23	3	145.0	133.5	102.0	19.0	6	457.0

二承一突丁字管

(其ノ五)

公称内径 D	d	管 T	厚 t	R	枝管ノ長さ			枝管ノ長さ			突			縁 (d)		重量 kg
					H	I	l ₂	t ₁	k	m	r ₂	r ₁	r ₂	d'	n'	
600	200	23.0	18.0	80	370	227	100	23.0	24	3	171.0	149.5	138.0	19.0	8	462.0
"	250	"	19.0	"	390	534	"	24.0	26	"	205.0	180.0	154.0	22.0	"	485.0
"	300	"	20.0	90	430	571	120	26.0	27	4	232.0	207.0	181.0	"	10	525.0
"	350	"	21.0	"	450	577	"	27.0	28	"	265.0	236.0	207.0	25.0	"	551.0
"	400	"	22.0	"	480	584	"	29.0	30	"	291.0	262.0	233.0	"	12	586.0
"	450	"	22.9	100	510	600	"	29.9	31	"	326.0	292.5	258.0	23.5	"	625.0
"	500	"	"	"	540	606	"	"	32	"	353.0	319.5	286.0	"	"	659.0
"	600	"	"	110	600	629	"	"	35	"	405.0	371.5	338.0	"	16	729.0
700	150	26.3	17.0	80	350	570	100	22.0	23	3	145.0	128.5	102.0	19.0	6	569.0
"	200	"	18.0	"	380	577	"	23.0	24	"	171.0	149.5	128.0	"	8	600.0
"	250	"	19.0	90	410	594	"	24.0	26	"	205.0	180.0	144.0	22.0	"	636.0
"	300	"	20.0	"	440	621	120	26.0	27	4	232.0	207.0	181.0	"	10	673.0
"	350	"	21.0	"	460	627	"	27.0	28	"	265.0	236.0	207.0	25.0	"	702.0
"	400	"	22.0	100	500	634	"	29.0	30	"	291.0	262.0	233.0	"	12	751.0
"	450	"	24.0	"	520	650	"	30.0	31	"	326.0	292.5	259.0	28.5	"	787.0
"	500	"	25.0	"	550	656	"	31.0	32	"	353.0	319.5	286.0	"	"	828.0
"	600	"	26.3	110	610	679	"	32.3	35	"	405.0	371.5	338.0	"	16	916.0
"	700	"	"	"	660	692	"	"	38	"	464.0	427.0	390.0	31.5	"	995.0

二承一突丁字管

(其ノ六)

公称内径 D	d	管 T	厚 t	R	枝管ノ長さ			枝管ノ長さ			突			縁 (d)		重量 kg
					H	I	l ₂	t ₁	k	m	r ₂	r ₁	r ₂	d'	n'	
800	150	28.7	17.0	80	370	621	100	22.0	23	3	145.0	123.5	102.0	19.0	6	732.0
"	200	"	18.0	"	390	627	"	23.0	24	"	171.0	149.5	128.0	"	8	759.0
"	250	"	19.0	90	430	644	"	24.0	26	"	205.0	180.0	154.0	22.0	"	811.0
"	300	"	20.0	"	450	651	120	26.0	27	4	232.0	207.0	181.0	"	10	841.0
"	350	"	21.0	"	480	677	"	27.0	28	"	265.0	236.0	207.0	25.0	"	887.0
"	400	"	22.0	100	510	694	"	29.0	30	"	291.0	262.0	233.0	"	12	934.0
"	450	"	24.0	"	540	700	"	30.0	31	"	326.0	292.5	259.0	28.5	"	982.0
"	500	"	25.0	110	570	716	"	31.0	32	"	353.0	319.5	286.0	"	"	1030.0
"	600	"	27.0	"	620	729	"	32.0	35	"	405.0	371.5	338.0	"	16	1120.0
"	700	"	28.7	120	680	752	"	34.7	38	"	464.0	427.0	390.0	31.5	"	1240.0
"	800	"	"	"	730	786	140	35.7	41	5	517.0	480.0	443.0	"	20	1340.0
900	200	31.1	18.0	90	420	687	100	22.0	24	3	171.0	149.5	128.0	19.0	8	974.0
"	250	"	19.0	"	440	694	"	24.0	26	"	205.0	180.0	154.0	22.0	"	1010.0
"	300	"	20.0	"	470	721	120	26.0	27	4	232.0	207.0	181.0	"	10	1060.0
"	350	"	21.0	100	500	737	"	27.0	28	"	265.0	236.0	207.0	25.0	"	1110.0
"	400	"	23.0	"	530	744	"	29.0	30	"	291.0	262.0	233.0	"	12	1160.0
"	450	"	24.0	110	560	760	"	30.0	31	"	326.0	292.5	259.0	28.5	"	1220.0
"	500	"	25.0	"	590	766	"	31.0	32	"	353.0	319.5	286.0	"	"	1270.0

二承一突丁字管

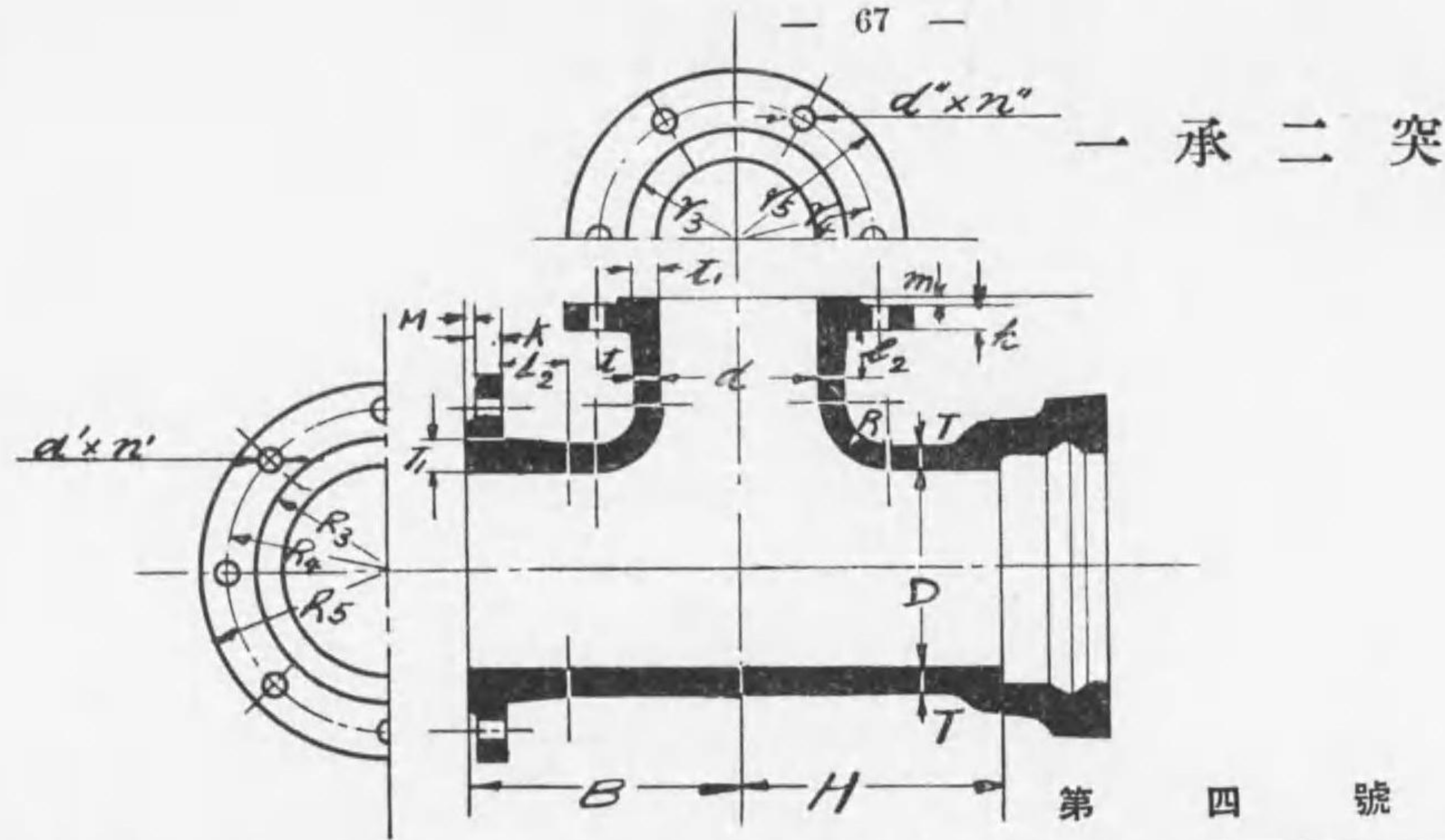
(其ノ七)

公称内径	D	d	管	T	厚	t	R	枝管ノ長さ				枝管				突		縁 (d)		重量
								II	I	l ₂	t ₁	k	m	r ₂	r ₁	r ₂	r ₁	d ₁	r ₁	
900	600	31.1	31.1	27.0	120	650	789	120	33.0	35	4	405.0	371.5	338.0	28.5	16	1380.0			
"	700	"	"	29.0	"	700	802	"	35.0	33	"	404.0	427.0	390.0	31.5	"	1500.0			
"	800	"	"	31.1	130	760	846	140	38.1	41	5	517.0	480.0	443.0	"	20	1650.0			
"	900	"	"	"	"	810	859	"	"	44	"	578.0	536.5	495.0	35.0	"	1770.0			
1000	300	33.6	33.6	20.0	100	500	781	120	26.0	27	4	292.0	207.0	181.0	22.0	10	1310.0			
"	350	"	"	21.0	"	520	787	"	27.0	28	"	265.0	236.0	207.0	25.0	"	1350.0			
"	400	"	"	23.0	110	550	804	"	29.0	30	"	291.0	262.0	233.0	"	12	1410.0			
"	450	"	"	24.0	"	580	810	"	30.0	31	"	326.0	292.5	259.0	28.5	"	1470.0			
"	500	"	"	25.0	130	610	826	"	31.0	32	"	353.0	319.5	286.0	"	"	1540.0			
"	600	"	"	27.0	"	660	839	"	33.0	35	"	405.0	371.5	338.0	"	"	1640.0			
"	700	"	"	29.0	130	720	862	"	35.0	38	"	464.0	427.0	390.0	31.5	"	1790.0			
"	800	"	"	31.0	"	770	896	140	38.0	41	5	517.0	480.0	443.0	"	20	1930.0			
"	900	"	"	33.6	140	830	919	"	40.6	44	"	578.0	536.5	495.0	35.0	"	2100.0			
"	1000	"	"	"	"	880	931	"	"	46	"	631.0	589.5	548.0	"	24	2340.0			
1100	400	36.0	36.0	23.0	110	570	854	120	29.0	30	4	291.0	262.0	233.0	25.0	12	1690.0			
"	450	"	"	24.0	"	600	860	"	30.0	31	"	326.0	292.5	259.0	28.5	"	1750.0			
"	500	"	"	25.0	130	630	865	"	31.0	32	"	353.0	319.5	286.0	"	"	1830.0			
"	600	"	"	27.0	"	680	889	"	33.0	35	"	405.0	371.5	338.0	"	16	1950.0			

二承一突丁字管

(其ノ六)

公称内径	D	d	管	T	厚	t	R	枝管ノ長さ				枝管				突		縁 (D)		重量
								II	I	l ₂	t ₁	k	m	r ₂	r ₁	r ₂	r ₁	d ₁	r ₁	
1100	700	36.0	36.0	29.0	130	740	912	120	35.0	33	4	404.0	427.0	390.0	31.5	16	2080.0			
"	800	"	"	31.0	"	790	946	140	38.0	41	5	517.0	480.0	443.0	"	20	2250.0			
"	900	"	"	34.0	140	850	969	"	41.0	44	"	578.0	536.5	495.0	35.0	"	2440.0			
"	1000	"	"	36.0	"	900	981	"	43.0	46	"	631.0	589.5	548.0	"	24	2600.0			
"	1100	"	"	"	150	960	1004	"	"	49	"	683.0	641.5	600.0	"	"	2780.0			
1300	400	38.4	38.4	23.0	110	580	904	120	29.0	30	4	291.0	262.0	233.0	25.0	12	1990.0			
"	450	"	"	24.0	120	610	920	"	30.0	31	"	326.0	292.5	259.0	28.5	"	2070.0			
"	500	"	"	25.0	"	640	926	"	31.0	32	"	353.0	319.5	286.0	"	"	2140.0			
"	600	"	"	27.0	130	700	949	"	33.0	35	"	405.0	371.5	338.0	"	16	2300.0			
"	700	"	"	29.0	"	750	962	"	35.0	38	"	464.0	427.0	390.0	31.5	"	2440.0			
"	800	"	"	31.0	140	810	1006	140	38.0	41	5	517.0	480.0	443.0	"	20	2630.0			
"	900	"	"	34.0	"	860	1019	"	41.0	44	"	578.0	536.5	495.0	35.0	"	2810.0			
"	1000	"	"	36.0	150	920	1041	"	43.0	46	"	631.0	589.5	548.0	"	24	3010.0			
"	1100	"	"	38.4	"	970	1054	"	45.4	49	"	683.0	641.5	600.0	"	"	3210.0			
"	1200	"	"	"	"	1020	1067	"	"	52	"	735.0	693.5	652.0	"	28	3400.0			



公稱内徑		管 厚		R	枝 管 ノ 長 サ					本 管 突				
D	d	T	t		B	I	II	L ₁	l ₁	T ₁	K	M	R ₁	R ₂
75	75	11.2	11.2	50	249	219	200	100	100	16.2	21	3	105.5	84.0
100	100	11.8	11.8	50	252	231	210	100	100	16.8	22	3	119.0	97.5
125	125	12.4	12.4	50	255	244	220	100	100	17.4	22	3	131.5	110.0
150	150	13.0	13.0	50	253	256	210	100	100	18.0	23	3	145.0	123.5
200	200	14.2	14.2	50	277	285	230	100	100	19.2	24	3	171.0	149.5
250	250	15.4	15.4	50	294	310	240	100	100	20.4	26	3	205.0	180.0
300	300	16.6	16.6	50	311	335	240	130	100	22.6	27	4	232.0	207.0

丁 字 管

(普通壓及低壓用)

$$B = L_2 + M + K + \frac{D}{10} + R + \frac{d}{2} + 30 \text{ 耗}$$

$$I = l_2 + m + k + \frac{d}{10} + R + \frac{D}{2}$$

$$H = F + \frac{D}{10} + R + \frac{d}{2} + 30 \text{ 耗}$$

(突縁及承口ノ寸法ハ直管ニ同シ)

第 六 表 (其ノ一)

縁 (D)	ボールド孔		t ₁	枝 管 突			r ₃	縁 (d)		ボールド孔	重 量	公稱内徑	
	R ₁	d'		n'	k	m		r ₁	r ₂			d''	n''
62.5	19	4	16.2	21	3	105.5	84.0	62.5	19	4	32.5	75	75
76.0	"	"	16.8	"	"	119.0	97.5	76.0	"	"	40.0	100	"
88.5	"	6	17.4	21	"	105.5	84.0	62.5	"	"	47.5	125	75
102.0	"	"	18.0	21	"	105.5	84.0	62.5	"	4	56.7	150	75
128.0	"	8	19.2	22	"	119.0	97.5	76.0	"	4	80.4	200	100
154.0	22	"	20.4	22	"	119.0	97.5	76.0	"	4	107.0	250	100
181.0	"	10	21.0	22	"	119.0	97.5	76.0	19	4	135.0	300	100

一 承 二 突

(其 ノ 二)

公稱内徑		管 厚		R	枝 管 ノ 長 サ					本 管 突				
D	d	T	t		B	I	II	L ₂	l ₂	T ₁	K	M	R ₁	R ₂
300	125	16.6	16.0	60	333	347	260	120	100	22.6	27	4	232.0	207.0
"	150	"	16.6	"	346	351	280	"	"	"	"	"	"	"
"	200	"	"	"	371	357	300	"	"	"	"	"	"	"
"	250	"	"	70	406	374	340	"	"	"	"	"	"	"
"	300	"	"	"	431	401	360	"	120	"	"	"	"	"
350	100	17.8	16.0	60	327	370	260	"	100	23.8	28	"	265.0	236.0
"	125	"	"	"	339	372	270	"	"	"	"	"	"	"
"	150	"	17.0	"	352	376	280	"	"	"	"	"	"	"
"	200	"	17.8	"	377	382	310	"	"	"	"	"	"	"
"	250	"	"	70	412	399	340	"	"	"	"	"	"	"
"	300	"	"	"	437	426	370	"	120	"	"	"	"	"
"	350	"	"	"	462	432	390	"	"	"	"	"	"	"
400	100	19.0	16.0	60	334	395	270	"	100	25.0	30	"	291.0	262.0
"	125	"	"	"	346	397	280	"	"	"	"	"	"	"
"	150	"	17.0	"	359	401	300	"	"	"	"	"	"	"
"	200	"	18.0	70	394	317	330	"	"	"	"	"	"	"
"	250	"	19.0	"	419	424	350	"	"	"	"	"	"	"
"	300	"	"	80	454	461	390	"	120	"	"	"	"	"
"	350	"	"	"	479	467	410	"	"	"	"	"	"	"
"	400	"	"	90	514	487	450	"	"	"	"	"	"	"
450	100	20.2	16.0	60	340	420	270	"	100	26.2	31	"	321.0	292.5
"	125	"	"	"	352	422	290	"	"	"	"	"	"	"
"	150	"	17.0	70	375	436	310	"	"	"	"	"	"	"
"	200	"	18.0	"	400	442	330	"	"	"	"	"	"	"
"	250	"	19.0	80	435	459	370	"	"	"	"	"	"	"
"	300	"	20.0	"	460	486	390	"	120	"	"	"	"	"
"	350	"	20.2	"	485	492	420	"	"	"	"	"	"	"
"	400	"	"	90	520	509	450	"	"	"	"	"	"	"
"	450	"	"	"	545	515	480	"	"	"	"	"	"	"
500	100	21.5	16.0	60	346	445	280	"	109	27.5	32	"	353.0	319.5
"	125	"	"	"	358	447	300	"	"	"	"	"	"	"
"	150	"	17.0	70	381	461	320	"	"	"	"	"	"	"
"	200	"	18.0	"	406	467	340	"	"	"	"	"	"	"
"	250	"	19.0	80	441	484	380	"	"	"	"	"	"	"
"	300	"	20.0	"	466	511	400	"	120	"	"	"	"	"
"	350	"	21.0	"	491	517	430	"	"	"	"	"	"	"
"	400	"	24.5	90	526	534	460	"	"	"	"	"	"	"

丁 字 管

線 (D)		枝 管 突					線 (d)					重 量 kg	公稱内徑	
R ₂	ボールド孔 d' n'	t ₁	k	m	r ₂	r ₁	r ₃	ボールド孔 d'' n''	D	d				
181.0	22.0	10	21.0	22	3	131.5	110.0	83.5	19.0	6	142.0	300	125	
"	"	"	21.6	23	"	145.0	123.5	102.0	"	"	150.0	"	150	
"	"	"	"	24	"	171.0	149.5	123.0	"	8	161.0	"	200	
"	"	"	"	26	"	205.0	180.0	154.0	22.0	"	180.0	"	250	
"	"	"	22.6	27	4	232.0	207.0	131.0	"	10	196.0	"	300	
207.0	25.0	"	21.0	22	3	119.0	97.5	76.0	19.0	4	171.0	350	100	
"	"	"	"	"	"	131.5	110.0	83.5	"	6	176.0	"	125	
"	"	"	22.0	23	"	145.0	123.5	102.0	"	"	183.0	"	150	
"	"	"	22.8	24	"	171.0	149.5	123.0	"	8	193.0	"	200	
"	"	"	"	26	"	205.0	180.0	154.0	22.0	"	217.0	"	250	
"	"	"	23.8	27	4	232.0	207.0	131.0	"	10	237.0	"	300	
"	"	"	"	28	"	255.0	236.0	207.0	25.0	"	255.0	"	350	
233.0	"	12	21.0	22	3	119.0	97.5	76.0	19.0	4	209.0	400	100	
"	"	"	"	"	"	131.5	110.0	83.5	"	6	216.0	"	125	
"	"	"	22.0	23	"	145.0	123.5	102.0	"	"	225.0	"	150	
"	"	"	23.0	24	"	171.0	149.5	123.0	"	8	244.0	"	200	
"	"	"	24.0	26	"	205.0	180.0	154.0	22.0	"	262.0	"	250	
"	"	"	25.0	27	4	232.0	207.0	131.0	"	10	237.0	"	300	
"	"	"	"	28	"	265.0	236.0	207.0	25.0	"	306.0	"	350	
"	"	"	"	30	"	291.0	262.0	233.0	"	12	333.0	"	400	
259.0	23.5	"	21.0	22	3	119.0	97.5	76.0	19.0	4	252.0	450	100	
"	"	"	"	"	"	131.5	110.0	83.5	"	6	260.0	"	125	
"	"	"	22.0	23	"	145.0	123.5	102.0	"	"	274.0	"	150	
"	"	"	23.0	24	"	171.0	149.5	123.0	"	8	290.0	"	200	
"	"	"	24.0	26	"	205.0	180.0	154.0	22.0	"	317.0	"	250	
"	"	"	26.0	27	4	232.0	207.0	131.0	"	10	339.0	"	300	
"	"	"	26.2	28	"	265.0	236.0	207.0	25.0	"	362.0	"	350	
"	"	"	"	30	"	291.0	262.0	233.0	"	12	388.0	"	400	
"	"	"	"	31	"	326.0	292.5	259.0	23.5	"	416.0	"	450	
286.0	"	"	21.0	22	3	119.0	97.5	76.0	19.0	4	295.0	500	100	
"	"	"	"	"	"	131.5	110.0	83.5	"	6	305.0	"	125	
"	"	"	22.0	23	"	145.0	123.5	102.0	"	"	320.0	"	150	
"	"	"	23.0	24	"	171.0	149.5	123.0	"	8	337.0	"	200	
"	"	"	24.0	26	"	205.0	180.0	154.0	22.0	"	367.0	"	250	
"	"	"	26.0	27	4	232.0	207.0	131.0	"	10	391.0	"	300	
"	"	"	27.0	28	"	265.0	236.0	207.0	25.0	"	413.0	"	350	
"	"	"	27.5	30	"	291.0	262.0	233.0	"	12	419.0	"	400	

一 承 二 突

(其ノ三)

公称内径		管 厚		R	枝 管 ノ 長 サ					本 管 突				
D	d	T	t		B	I	H	L ₂	l ₂	T ₁	K	M	R ₂	R ₄
500	450	21.5	21.5	90	551	540	490	120	120	27.5	32	4	353.0	319.5
"	500	"	"	100	561	556	520	"	"	"	"	"	"	"
600	150	23.9	17.0	80	404	521	340	"	100	29.9	35	"	405.0	371.5
"	200	"	18.0	"	429	527	370	"	"	"	"	"	"	"
"	250	"	19.0	"	454	534	390	"	"	"	"	"	"	"
"	300	"	20.0	90	489	571	430	"	120	"	"	"	"	"
"	350	"	21.0	"	514	577	450	"	"	"	"	"	"	"
"	400	"	23.0	"	539	584	480	"	"	"	"	"	"	"
"	450	"	23.9	100	574	600	510	"	"	"	"	"	"	"
"	500	"	"	"	599	606	540	"	"	"	"	"	"	"
"	600	"	"	110	659	629	600	"	"	"	"	"	"	"
700	150	26.3	17.0	80	420	570	350	"	100	32.3	38	"	464.0	427.0
"	200	"	18.0	"	442	577	380	"	"	"	"	"	"	"
"	250	"	19.0	90	477	594	410	"	"	"	"	"	"	"
"	300	"	20.0	"	502	621	440	"	120	"	"	"	"	"
"	350	"	21.0	"	527	627	460	"	"	"	"	"	"	"
"	400	"	23.0	100	562	634	500	"	"	"	"	"	"	"
"	450	"	24.0	"	587	650	520	"	"	"	"	"	"	"
"	500	"	25.0	"	612	656	550	"	"	"	"	"	"	"
"	600	"	26.3	110	672	679	610	"	"	"	"	"	"	"
"	700	"	"	"	722	692	660	"	"	"	"	"	"	"
800	150	28.7	17.0	80	451	621	370	140	100	35.7	41	5	517.0	480.0
"	200	"	18.0	"	476	627	390	"	"	"	"	"	"	"
"	250	"	19.0	90	511	644	430	"	"	"	"	"	"	"
"	300	"	20.0	"	536	651	450	"	120	"	"	"	"	"
"	350	"	21.0	"	566	677	480	"	"	"	"	"	"	"
"	400	"	23.0	100	596	694	510	"	"	"	"	"	"	"
"	450	"	24.0	"	621	700	540	"	"	"	"	"	"	"
"	500	"	25.0	110	646	716	570	"	"	"	"	"	"	"
"	600	"	27.0	"	706	729	620	"	"	"	"	"	"	"
"	700	"	28.7	120	756	752	680	"	"	"	"	"	"	"
"	800	"	"	"	816	786	730	"	140	"	"	"	"	"
900	200	31.1	18.0	90	469	687	420	"	100	38.1	44	"	578.0	536.5
"	250	"	19.0	"	524	694	440	"	"	"	"	"	"	"
"	300	"	20.0	"	549	721	470	"	120	"	"	"	"	"
"	350	"	21.0	100	584	737	500	"	"	"	"	"	"	"
"	400	"	23.0	"	609	744	530	"	"	"	"	"	"	"

丁 字 管

縁 (D)			枝 管 突							縁 (d)			重 量 kg	公称内径	
R ₃	ボ-ルト孔 d' n'		t ₁	k	m	r ₅	r ₄	r ₃	ボ-ルト孔 d'' n''		D	d			
286.0	28.5	12	27.5	31	4	326.0	292.5	259.0	28.5	12	478.0	500	450		
"	"	"	"	32	"	353.0	319.5	286.0	"	"	503.0	"	500		
338.0	"	16	22.0	23	3	145.0	123.5	102.0	19.0	6	428.0	600	150		
"	"	"	23.0	24	"	171.0	149.5	128.0	"	8	451.0	"	200		
"	"	"	24.0	26	"	205.0	180.0	154.0	22.0	"	476.0	"	250		
"	"	"	26.0	27	4	232.0	207.0	181.0	"	10	514.0	"	300		
"	"	"	27.0	28	"	265.0	236.0	207.0	25.0	"	539.0	"	350		
"	"	"	29.0	30	"	291.0	262.0	233.0	"	12	575.0	"	400		
"	"	"	29.9	31	"	326.0	292.5	259.0	28.5	"	616.0	"	450		
"	"	"	"	32	"	353.0	319.5	286.0	"	"	647.0	"	500		
"	"	"	"	35	"	405.0	371.5	338.0	"	16	718.0	"	600		
390.0	31.5	"	22.0	23	3	145.0	123.5	102.0	19.0	6	563.0	700	150		
"	"	"	23.0	24	"	171.0	149.5	128.0	"	8	591.0	"	200		
"	"	"	24.0	26	"	205.0	180.0	154.0	22.0	"	629.0	"	250		
"	"	"	26.0	27	4	232.0	207.0	181.0	"	10	664.0	"	300		
"	"	"	27.0	28	"	265.0	236.0	207.0	25.0	"	695.0	"	350		
"	"	"	29.0	30	"	291.0	262.0	233.0	"	12	742.0	"	400		
"	"	"	30.0	31	"	326.0	292.5	259.0	28.5	"	780.0	"	450		
"	"	"	31.0	32	"	353.0	319.5	286.0	"	"	819.0	"	500		
"	"	"	32.3	35	"	405.0	371.5	338.0	"	16	906.0	"	600		
"	"	"	"	38	"	464.0	427.0	390.0	31.5	"	985.0	"	700		
443.0	"	20	22.0	23	3	145.0	123.5	102.0	19.0	6	733.0	800	150		
"	"	"	23.0	24	"	171.0	149.5	128.0	"	8	762.0	"	200		
"	"	"	24.0	26	"	205.0	180.0	154.0	22.0	"	812.0	"	250		
"	"	"	26.0	27	4	232.0	207.0	181.0	"	10	845.0	"	300		
"	"	"	27.0	28	"	265.0	236.0	207.0	25.0	"	891.0	"	350		
"	"	"	29.0	30	"	291.0	262.0	233.0	"	12	939.0	"	400		
"	"	"	30.0	31	"	326.0	292.5	259.0	28.5	"	984.0	"	450		
"	"	"	31.0	32	"	353.0	319.5	286.0	"	"	1030.0	"	500		
"	"	"	33.0	35	"	405.0	371.5	338.0	"	16	1130.0	"	600		
"	"	"	34.7	38	"	464.0	427.0	390.0	31.5	"	1240.0	"	700		
"	"	"	35.7	41	5	517.0	480.0	443.0	"	20	1350.0	"	800		
495.0	35.0	"	23.0	24	3	171.0	149.5	128.0	19.0	8	951.0	900	200		
"	"	"	24.0	26	"	205.0	180.0	154.0	22.0	"	987.0	"	250		
"	"	"	26.0	27	4	232.0	207.0	181.0	"	10	1030.0	"	300		
"	"	"	27.0	28	"	265.0	236.0	207.0	25.0	"	1090.0	"	350		
"	"	"	29.0	30	"	291.0	262.0	233.0	"	12	1130.0	"	400		

一 承 二 突

(其ノ四)

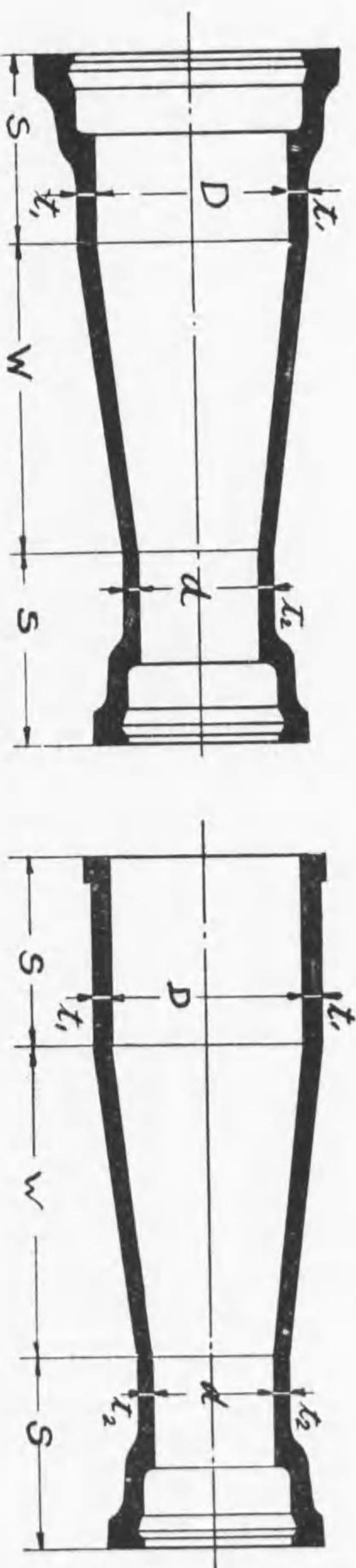
公稱内徑		管 厚		R	枝 管 ノ 長 サ					本 管 突				
D	d	T	t		B	I	II	L ₂	l ₂	T ₁	K	M	R ₂	R ₁
900	450	31.1	24.0	110	644	760	560	140	120	33.1	44	5	578.0	536.5
"	500	"	25.0	"	669	766	590	"	"	"	"	"	"	"
"	600	"	27.0	120	729	789	650	"	"	"	"	"	"	"
"	700	"	29.0	"	779	802	700	"	"	"	"	"	"	"
"	800	"	31.1	130	839	846	760	"	140	"	"	"	"	"
"	900	"	"	"	889	859	810	"	"	"	"	"	"	"
1000	300	33.6	20.0	100	571	781	500	"	120	40.6	46	"	631.0	589.5
"	350	"	21.0	"	596	787	520	"	"	"	"	"	"	"
"	400	"	23.0	110	631	804	550	"	"	"	"	"	"	"
"	450	"	24.0	"	656	810	580	"	"	"	"	"	"	"
"	500	"	25.0	120	691	826	610	"	"	"	"	"	"	"
"	600	"	27.0	"	731	839	660	"	"	"	"	"	"	"
"	700	"	29.0	130	801	862	720	"	"	"	"	"	"	"
"	800	"	31.0	"	851	896	770	"	140	"	"	"	"	"
"	900	"	33.6	140	911	919	830	"	"	"	"	"	"	"
"	1000	"	"	"	961	931	880	"	"	"	"	"	"	"
1100	400	36.0	23.0	110	644	854	570	"	120	43.0	49	"	633.0	641.5
"	450	"	24.0	"	669	860	600	"	"	"	"	"	"	"
"	500	"	25.0	120	704	866	630	"	"	"	"	"	"	"
"	600	"	27.0	"	754	889	680	"	"	"	"	"	"	"
"	700	"	29.0	130	814	912	740	"	"	"	"	"	"	"
"	800	"	31.0	"	864	946	790	"	140	"	"	"	"	"
"	900	"	34.0	140	924	969	850	"	"	"	"	"	"	"
"	1000	"	36.0	"	974	981	900	"	"	"	"	"	"	"
"	1100	"	"	150	1034	1004	960	"	"	"	"	"	"	"
1200	400	38.4	23.0	110	657	901	580	"	120	45.4	52	"	735.0	693.5
"	450	"	24.0	120	692	920	610	"	"	"	"	"	"	"
"	500	"	25.0	"	717	926	640	"	"	"	"	"	"	"
"	600	"	27.0	130	777	949	700	"	"	"	"	"	"	"
"	700	"	29.0	"	827	962	750	"	"	"	"	"	"	"
"	800	"	31.0	140	887	1006	810	"	140	"	"	"	"	"
"	900	"	34.0	"	937	1019	860	"	"	"	"	"	"	"
"	1000	"	36.0	150	994	1041	920	"	"	"	"	"	"	"
"	1100	"	38.4	"	1047	1054	970	"	"	"	"	"	"	"
"	1200	"	"	"	1097	1067	1020	"	"	"	"	"	"	"

丁 字 管

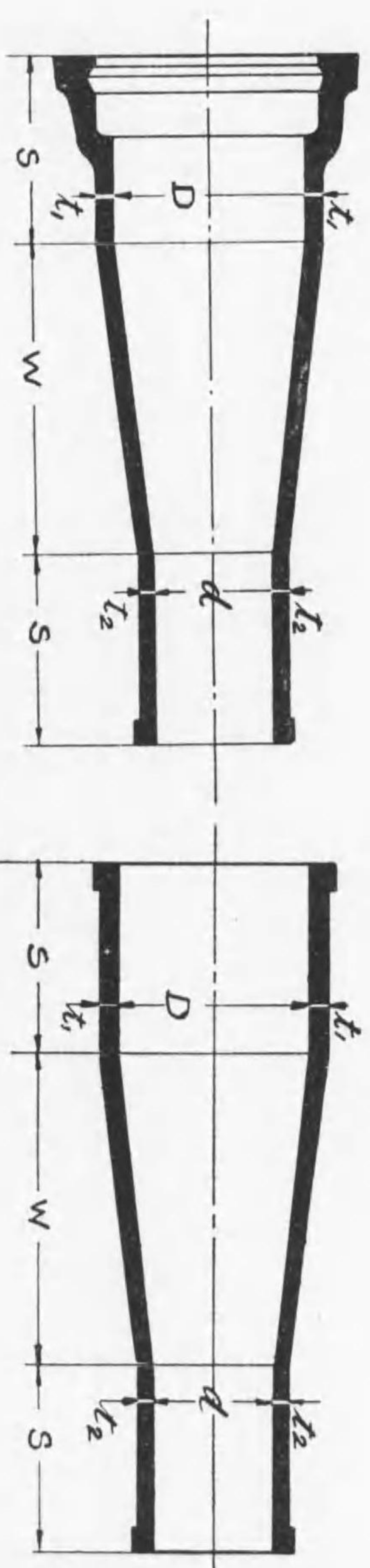
線 (D)		枝 管 突 線 (d)							重 量 kg	公稱内徑	
R ₂	ボ-ルト孔 d' n'	t ₁	k	m	r ₂	r ₁	r ₃	ボ-ルト孔 d'' n''		D	d
495.0	35 20	30.0	31	4	326.0	292.5	259.0	28.5 12	1190.0	900 450	
"	"	31.0	32	"	353.0	319.5	286.0	"	1240.0	" 500	
"	"	33.0	35	"	405.0	371.5	338.0	"	1350.0	" 600	
"	"	35.0	33	"	464.0	427.0	390.0	31.5	1460.0	" 700	
"	"	38.1	41	5	517.0	480.0	443.0	"	1610.0	" 800	
"	"	"	44	"	578.0	536.5	495.0	35.0	1730.0	" 900	
548.0	" 24	26.0	27	4	232.0	207.0	181.0	22.0 10	1290.0	1000 300	
"	"	27.0	28	"	265.0	236.0	207.0	25.0	1340.0	" 350	
"	"	29.0	30	"	291.0	262.0	233.0	"	1400.0	" 400	
"	"	30.0	31	"	325.0	292.5	259.0	23.5	1460.0	" 450	
"	"	31.0	32	"	353.0	319.5	286.0	"	1520.0	" 500	
"	"	33.0	35	"	405.0	371.5	338.0	"	1630.0	" 600	
"	"	35.0	33	"	464.0	427.0	390.0	31.5	1760.0	" 700	
"	"	38.0	41	5	517.0	480.0	443.0	"	1920.0	" 800	
"	"	40.6	44	"	578.0	536.5	495.0	35.0	2090.0	" 900	
"	"	"	46	"	631.0	589.5	548.0	"	2220.0	" 1000	
600.0	"	29.0	30	4	291.0	262.0	233.0	25.0 12	1660.0	1100 400	
"	"	30.0	31	"	326.0	292.5	259.0	28.5	1730.0	" 450	
"	"	31.0	32	"	353.0	319.5	286.0	"	1800.0	" 500	
"	"	33.0	35	"	405.0	371.5	338.0	"	1920.0	" 600	
"	"	35.0	33	"	464.0	427.0	390.0	31.5	2070.0	" 700	
"	"	38.0	41	5	517.0	480.0	443.0	"	2220.0	" 800	
"	"	41.0	44	"	578.0	536.5	495.0	35.0	2420.0	" 900	
"	"	43.0	46	"	631.0	589.5	548.0	"	2580.0	" 1000	
"	"	"	49	"	683.0	641.5	600.0	"	2760.0	" 1100	
652.0	" 23	29.0	30	4	291.0	262.0	233.0	25.0 12	1960.0	1200 400	
"	"	30.0	31	"	326.0	292.5	259.0	28.5	2040.0	" 450	
"	"	31.0	32	"	353.0	319.5	286.0	"	2130.0	" 500	
"	"	33.0	35	"	405.0	371.5	338.0	"	2270.0	" 600	
"	"	35.0	33	"	464.0	427.0	390.0	31.5	2410.0	" 700	
"	"	38.0	41	5	517.0	480.0	443.0	"	2600.0	" 800	
"	"	41.0	44	"	578.0	536.5	495.0	35.0	2760.0	" 900	
"	"	43.0	46	"	631.0	589.5	548.0	"	2900.0	" 1000	
"	"	45.4	49	"	683.0	641.5	600.0	"	3130.0	" 1100	
"	"	"	52	"	735.0	693.5	652.0	"	3340.0	" 1200	

片 落 管

兩承片落管 (普通壓及低應用) 插承片落管



承插片落管 兩插片落管



(承口及挿口ノ寸法ハ直管ニ同シ)

片 落 管

第五號第一表 (其ノ一)

公 稱 内 徑	D	d	管 壁 厚	t ₁	t ₂	管 長	重 量			
							兩 承 片 落 管 重	承 插 片 落 管 重	兩 插 片 落 管 重	兩 插 片 落 管 重
100	75	11.8	11.2	500	200	37.1	21.1	29.0	23.0	
125	"	12.4	"	"	"	38.0	22.0	29.3	23.3	
"	100	"	11.8	"	"	47.5	29.7	37.5	30.7	
150	"	13.0	"	"	"	54.1	40.3	42.6	34.8	
"	125	"	12.4	"	"	59.4	50.4	47.9	38.9	
200	100	14.2	11.8	"	"	66.7	58.9	51.7	43.9	
"	125	"	12.4	"	"	72.1	63.1	57.1	48.1	
"	150	"	13.0	"	"	78.9	67.4	63.9	52.4	
250	100	15.4	11.8	"	"	81.9	74.1	61.9	54.2	
"	125	"	12.4	"	"	87.5	78.5	67.5	58.5	
"	150	"	13.0	"	"	94.4	82.9	74.4	62.9	
300	100	16.6	11.8	"	"	96.3	83.5	72.1	65.3	
"	125	"	12.4	"	"	102.0	83.0	78.8	69.8	
"	150	"	13.0	"	"	108.0	87.5	85.8	74.3	
"	200	"	14.2	"	"	122.0	107.0	99.3	84.3	

片 落 管

(其 二)

公 稱 內 徑	D	d	管 壁 厚	t ₁	t ₂	管 壁 厚	W	S	長	重 量			
										兩 承 片 落 管 重	承 插 片 落 管 重	插 承 片 落 管 重	兩 插 片 落 管 重
300	300	250	16.6	17.8	15.4	500	200	139.0	119.0	115.0	97.8	92.5	
350	350	150	17.8	13.0	12.0	500	200	136.0	115.0	112.0	97.8	86.4	
"	"	200	"	14.2	14.2	"	"	140.0	125.0	112.0	98.8	96.8	
"	"	250	"	15.4	15.4	"	"	157.0	137.0	123.0	103.0	103.0	
"	"	300	"	16.6	16.6	"	"	172.0	149.0	142.0	120.0	120.0	
400	400	150	19.0	13.0	13.0	560	220	158.0	147.0	130.0	112.0	112.0	
"	"	200	"	14.2	14.2	"	"	173.0	158.0	142.0	120.0	120.0	
"	"	250	"	15.4	15.4	"	"	191.0	171.0	156.0	136.0	136.0	
"	"	300	"	16.6	16.6	"	"	209.0	185.0	177.0	150.0	150.0	
"	"	350	"	17.8	17.8	"	"	229.0	200.0	193.0	163.0	163.0	
450	450	200	20.2	14.2	14.2	"	"	197.0	182.0	154.0	139.0	139.0	
"	"	250	"	15.4	15.4	"	"	215.0	197.0	173.0	153.0	153.0	
"	"	300	"	16.6	16.6	"	"	232.0	209.0	190.0	167.0	167.0	
"	"	350	"	17.8	17.8	"	"	253.0	224.0	210.0	182.0	182.0	
"	"	400	"	19.0	19.0	"	"	277.0	241.0	234.0	198.0	198.0	
500	500	250	21.5	15.4	15.4	"	"	239.0	219.0	191.0	171.0	171.0	

片 落 管

(其 三)

公 稱 內 徑	D	d	管 壁 厚	t ₁	t ₂	管 壁 厚	W	S	長	重 量			
										兩 承 片 落 管 重	承 插 片 落 管 重	插 承 片 落 管 重	兩 插 片 落 管 重
500	500	300	21.5	16.6	16.6	560	230	256.0	233.0	203.0	185.0		
"	"	350	"	17.8	17.8	"	"	277.0	248.0	229.0	201.0		
"	"	400	"	19.0	19.0	"	"	301.0	266.0	253.0	213.0		
"	"	450	"	20.2	20.2	"	"	326.0	284.0	278.0	236.0		
600	600	300	23.9	16.6	16.6	620	240	337.0	314.0	273.0	250.0		
"	"	350	"	17.8	17.8	"	"	355.0	326.0	291.0	263.0		
"	"	400	"	19.0	19.0	"	"	382.0	346.0	318.0	283.0		
"	"	450	"	20.2	20.2	"	"	409.0	366.0	345.0	303.0		
"	"	500	"	21.5	21.5	"	"	433.0	435.0	419.0	372.0		
700	700	400	26.3	19.0	19.0	"	"	449.0	413.0	369.0	333.0		
"	"	450	"	20.2	20.2	"	"	477.0	434.0	394.0	354.0		
"	"	500	"	21.5	21.5	"	"	505.0	457.0	425.0	377.0		
"	"	600	"	23.9	23.9	"	"	567.0	503.0	487.0	433.0		
800	800	450	28.7	20.2	20.2	630	260	590.0	518.0	488.0	446.0		
"	"	500	"	21.5	21.5	"	"	621.0	573.0	519.0	471.0		
"	"	600	"	23.9	23.9	"	"	688.0	625.0	586.0	523.0		

片 落 管

(其 〃 四)

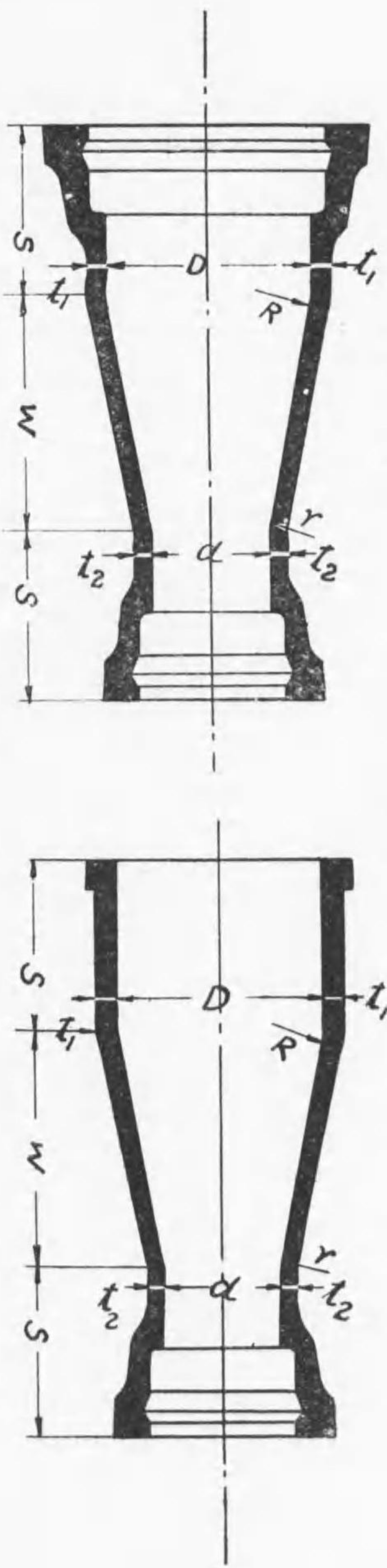
公 稱 內 徑 D	內 徑 d	管 壁 厚 t ₁	厚 t ₂	管 壁 厚 W	長 S	重 量			
						兩 承 片 落 管 重	承 插 片 落 管 重	插 承 片 落 管 重	兩 插 片 落 管 重
800	700	28.7	26.3	680	280	765.0	685.0	663.0	580.0
900	500	31.1	21.5	"	"	713.0	665.0	581.0	537.0
"	600	"	23.9	"	"	782.0	719.0	654.0	590.0
"	700	"	26.3	"	"	860.0	780.0	732.0	652.0
"	800	"	28.7	"	"	947.0	846.0	812.0	717.0
1000	500	33.6	21.5	740	280	818.0	812.0	707.0	667.0
"	600	"	23.9	"	"	929.0	866.0	776.0	713.0
"	700	"	26.3	"	"	1020.0	939.0	863.0	787.0
"	800	"	28.7	"	"	1110.0	1010.0	961.0	839.0
"	900	"	31.1	"	"	1220.0	1090.0	1070.0	957.0
1100	600	36.0	23.9	"	"	1040.0	981.0	865.0	802.0
"	700	"	26.3	"	"	1130.0	1050.0	952.0	871.0
"	800	"	28.7	"	"	1230.0	1120.0	1050.0	945.0
"	900	"	31.1	"	"	1330.0	1200.0	1150.0	1020.0
"	1000	"	33.6	"	"	1440.0	1290.0	1260.0	1110.0
1200	700	38.4	26.3	800	300	1330.0	1250.0	1120.0	1040.0

片 落 管

(其 〃 五)

公 稱 內 徑 D	內 徑 d	管 壁 厚 t ₁	厚 t ₂	管 壁 厚 W	長 S	重 量			
						兩 承 片 落 管 重	承 插 片 落 管 重	插 承 片 落 管 重	兩 插 片 落 管 重
1200	800	38.4	28.7	800	300	1430.0	1330.0	1220.0	1120.0
"	900	"	31.1	"	"	1550.0	1420.0	1330.0	1210.0
"	1000	"	33.6	"	"	1660.0	1510.0	1450.0	1300.0
"	1100	"	36.0	"	"	1790.0	1610.0	1580.0	1400.0
1350	800	42.0	28.7	"	"	1650.0	1540.0	1380.0	1280.0
"	900	"	31.1	"	"	1760.0	1630.0	1500.0	1370.0
"	1000	"	33.6	"	"	1880.0	1730.0	1620.0	1480.0
"	1100	"	36.0	"	"	2010.0	1830.0	1750.0	1570.0
"	1200	"	38.4	"	"	2150.0	1940.0	1890.0	1630.0
1500	900	45.7	31.1	890	320	2180.0	2040.0	1830.0	1690.0
"	1000	"	33.6	"	"	2310.0	2150.0	1970.0	1800.0
"	1100	"	36.0	"	"	2460.0	2260.0	2110.0	1910.0
"	1200	"	38.4	"	"	2610.0	2380.0	2270.0	2040.0
"	1350	"	42.0	"	"	2870.0	2580.0	2520.0	2230.0

片落短管 (普通壓及低壓用) 插承片落短管

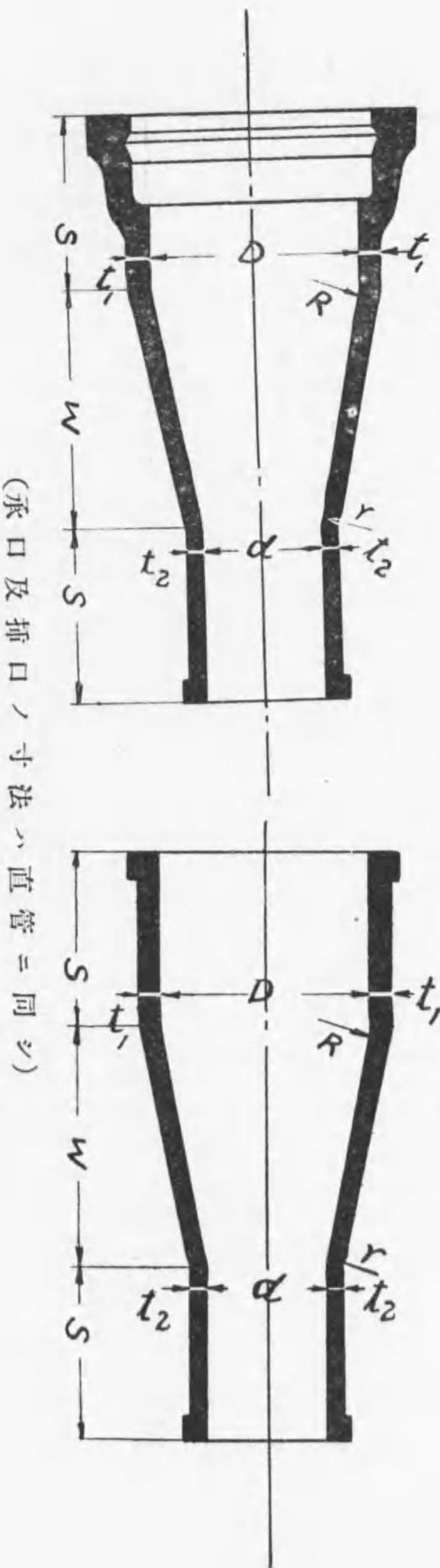


承插片落短管

兩插片落短管

$$R = \frac{D}{4} \frac{d}{d}$$

$$r = \frac{d}{4}$$



(承口及挿口ノ寸法ハ直管ニ同シ)

片落短管

第六號第一表 (其ノ一)

公稱內徑	管厚	管長	重				
			兩承片落管	承插片落管	插承片落管	兩插片落管	
100	11.8	25	19	30.7	23.2	20.8	13.2
125	12.4	32	25	32.7	25.1	20.9	13.4
"	"	"	"	39.4	29.2	27.3	17.4
150	13.0	38	32	44.6	34.7	30.6	19.7
"	"	"	"	48.7	37.0	33.7	22.0
200	14.2	50	32	56.7	44.9	34.5	24.6
"	"	"	"	59.0	47.2	38.7	27.0
250	15.4	63	38	64.6	49.6	44.4	29.3
"	"	"	"	67.3	57.4	40.0	30.1
300	16.6	75	32	71.6	59.9	44.3	32.6
"	"	"	"	77.3	62.3	50.8	34.9
350	17.8	83	38	83.2	67.6	60.6	40.3
"	"	"	"	88.9	73.9	71.4	38.1
400	19.0	100	38	90.4	79.2	73.1	38.6
"	"	"	"	103.0	85.2	79.7	41.1
"	"	"	"	114.0	88.1	83.4	46.4
"	"	"	"	127.0	93.5	86.4	52.4
"	"	"	"	139.0	99.8	89.3	47.4
"	"	"	"	158.0	106.0	93.5	52.9
"	"	"	"	178.0	113.0	99.8	59.1
"	"	"	"	198.0	123.0	106.0	65.5
"	"	"	"	218.0	133.0	113.0	71.9
"	"	"	"	238.0	143.0	120.0	78.3
"	"	"	"	258.0	153.0	127.0	84.7
"	"	"	"	278.0	163.0	134.0	91.1
"	"	"	"	298.0	173.0	141.0	97.5
"	"	"	"	318.0	183.0	148.0	103.9
"	"	"	"	338.0	193.0	155.0	110.3
"	"	"	"	358.0	203.0	162.0	116.7
"	"	"	"	378.0	213.0	169.0	123.1
"	"	"	"	398.0	223.0	176.0	129.5
"	"	"	"	418.0	233.0	183.0	135.9
"	"	"	"	438.0	243.0	190.0	142.3
"	"	"	"	458.0	253.0	197.0	148.7
"	"	"	"	478.0	263.0	204.0	155.1
"	"	"	"	498.0	273.0	211.0	161.5
"	"	"	"	518.0	283.0	218.0	167.9
"	"	"	"	538.0	293.0	225.0	174.3
"	"	"	"	558.0	303.0	232.0	180.7
"	"	"	"	578.0	313.0	239.0	187.1
"	"	"	"	598.0	323.0	246.0	193.5
"	"	"	"	618.0	333.0	253.0	199.9
"	"	"	"	638.0	343.0	260.0	206.3
"	"	"	"	658.0	353.0	267.0	212.7
"	"	"	"	678.0	363.0	274.0	219.1
"	"	"	"	698.0	373.0	281.0	225.5
"	"	"	"	718.0	383.0	288.0	231.9
"	"	"	"	738.0	393.0	295.0	238.3
"	"	"	"	758.0	403.0	302.0	244.7
"	"	"	"	778.0	413.0	309.0	251.1
"	"	"	"	798.0	423.0	316.0	257.5
"	"	"	"	818.0	433.0	323.0	263.9
"	"	"	"	838.0	443.0	330.0	270.3
"	"	"	"	858.0	453.0	337.0	276.7
"	"	"	"	878.0	463.0	344.0	283.1
"	"	"	"	898.0	473.0	351.0	289.5
"	"	"	"	918.0	483.0	358.0	295.9
"	"	"	"	938.0	493.0	365.0	302.3
"	"	"	"	958.0	503.0	372.0	308.7
"	"	"	"	978.0	513.0	379.0	315.1
"	"	"	"	998.0	523.0	386.0	321.5
"	"	"	"	1018.0	533.0	393.0	327.9
"	"	"	"	1038.0	543.0	400.0	334.3
"	"	"	"	1058.0	553.0	407.0	340.7
"	"	"	"	1078.0	563.0	414.0	347.1
"	"	"	"	1098.0	573.0	421.0	353.5
"	"	"	"	1118.0	583.0	428.0	359.9
"	"	"	"	1138.0	593.0	435.0	366.3
"	"	"	"	1158.0	603.0	442.0	372.7
"	"	"	"	1178.0	613.0	449.0	379.1
"	"	"	"	1198.0	623.0	456.0	385.5
"	"	"	"	1218.0	633.0	463.0	391.9
"	"	"	"	1238.0	643.0	470.0	398.3
"	"	"	"	1258.0	653.0	477.0	404.7
"	"	"	"	1278.0	663.0	484.0	411.1
"	"	"	"	1298.0	673.0	491.0	417.5
"	"	"	"	1318.0	683.0	498.0	423.9
"	"	"	"	1338.0	693.0	505.0	430.3
"	"	"	"	1358.0	703.0	512.0	436.7
"	"	"	"	1378.0	713.0	519.0	443.1
"	"	"	"	1398.0	723.0	526.0	449.5
"	"	"	"	1418.0	733.0	533.0	455.9
"	"	"	"	1438.0	743.0	540.0	462.3
"	"	"	"	1458.0	753.0	547.0	468.7
"	"	"	"	1478.0	763.0	554.0	475.1
"	"	"	"	1498.0	773.0	561.0	481.5
"	"	"	"	1518.0	783.0	568.0	487.9
"	"	"	"	1538.0	793.0	575.0	494.3
"	"	"	"	1558.0	803.0	582.0	500.7
"	"	"	"	1578.0	813.0	589.0	507.1
"	"	"	"	1598.0	823.0	596.0	513.5
"	"	"	"	1618.0	833.0	603.0	519.9
"	"	"	"	1638.0	843.0	610.0	526.3
"	"	"	"	1658.0	853.0	617.0	532.7
"	"	"	"	1678.0	863.0	624.0	539.1
"	"	"	"	1698.0	873.0	631.0	545.5
"	"	"	"	1718.0	883.0	638.0	551.9
"	"	"	"	1738.0	893.0	645.0	558.3
"	"	"	"	1758.0	903.0	652.0	564.7
"	"	"	"	1778.0	913.0	659.0	571.1
"	"	"	"	1798.0	923.0	666.0	577.5
"	"	"	"	1818.0	933.0	673.0	583.9
"	"	"	"	1838.0	943.0	680.0	590.3
"	"	"	"	1858.0	953.0	687.0	596.7
"	"	"	"	1878.0	963.0	694.0	603.1
"	"	"	"	1898.0	973.0	701.0	609.5
"	"	"	"	1918.0	983.0	708.0	615.9
"	"	"	"	1938.0	993.0	715.0	622.3
"	"	"	"	1958.0	1003.0	722.0	628.7
"	"	"	"	1978.0	1013.0	729.0	635.1
"	"	"	"	1998.0	1023.0	736.0	641.5
"	"	"	"	2018.0	1033.0	743.0	647.9
"	"	"	"	2038.0	1043.0	750.0	654.3
"	"	"	"	2058.0	1053.0	757.0	660.7
"	"	"	"	2078.0	1063.0	764.0	667.1
"	"	"	"	2098.0	1073.0	771.0	673.5
"	"	"	"	2118.0	1083.0	778.0	679.9
"	"	"	"	2138.0	1093.0	785.0	686.3
"	"	"	"	2158.0	1103.0	792.0	692.7
"	"	"	"	2178.0	1113.0	799.0	699.1
"	"	"	"	2198.0	1123.0	806.0	705.5
"	"	"	"	2218.0	1133.0	813.0	711.9
"	"	"	"	2238.0	1143.0	820.0	718.3
"	"	"	"	2258.0	1153.0	827.0	724.7
"	"	"	"	2278.0	1163.0	834.0	731.1
"	"	"	"	2298.0	1173.0	841.0	737.5
"	"	"	"	2318.0	1183.0	848.0	743.9
"	"	"	"	2338.0	1193.0	855.0	750.3
"	"	"	"	2358.0	1203.0	862.0	756.7
"	"	"	"	2378.0	1213.0	869.0	763.1
"	"	"	"	2398.0	1223.0	876.0	769.5
"	"	"	"	2418.0	1233.0	883.0	775.9
"	"	"	"	2438.0	1243.0	890.0	782.3
"	"	"	"	2458.0	1253.0	897.0	788.7
"	"	"	"	2478.0	1263.0	904.0	795.1
"	"	"	"	2498.0	1273.0	911.0	801.5
"	"	"	"	2518.0	1283.0	918.0	807.9
"	"	"	"	2538.0	1293.0	925.0	814.3
"	"	"	"	2558.0	1303.0	932.0	820.7
"	"	"	"	2578.0	1313.0	939.0	827.1
"	"	"	"	2598.0	1323.0	946.0	833.5
"	"	"	"	2618.0	1333.0	953.0	839.9
"	"	"	"	2638.0	1343.0	960.0	846.3
"	"	"	"	2658.0	1353.0	967.0	852.7
"	"	"	"	2678.0	1363.0	974.0	859.1
"	"	"	"	2698.0	1373.0	981.0	865.5
"	"	"	"	2718.0	1383.0	988.0	871.9
"	"	"	"	2738.0	1393.0	995.0	878.3
"	"	"	"	2758.0	1403.0	1002.0	884.7
"	"	"	"	2778.0	1413.0	1009.0	891.1
"	"	"	"	2798.0	1423.0	1016.0	897.5
"	"	"	"	2818.0	1433.0	1023.0	903.9
"	"	"	"	2838.0</			

管 短 落 片

(JE 2 三)

公 程 内 徑	管 厚	管 基				管 承					
		D	d	t	t ₀	W	S	R	r	承压片落管 距	承插片落管 距
400	200	19.0	14.2	230	220	100	50	140.0	120.0	89.1	63.9
"	250	"	15.4	"	"	"	63	154.0	127.0	103.0	76.0
"	300	"	16.6	"	"	"	75	167.0	135.0	116.0	83.6
"	350	"	17.8	"	"	"	88	183.0	143.0	132.0	91.6
450	200	20.2	14.2	"	"	113	50	159.0	139.0	97.8	77.6
"	250	"	15.4	"	"	"	63	173.0	146.0	112.0	84.8
"	300	"	16.6	"	"	"	75	187.0	154.0	125.0	92.5
"	350	"	17.8	"	"	"	88	203.0	162.0	141.0	101.0
"	400	"	19.0	"	"	"	100	222.0	171.0	161.0	120.0
500	250	21.5	15.4	"	"	125	63	193.0	165.0	122.0	94.4
"	300	"	16.6	"	"	"	75	209.0	173.0	135.0	102.0
"	350	"	17.8	"	"	"	88	222.0	181.0	151.0	110.0
"	400	"	19.0	"	"	"	100	241.0	190.0	170.0	119.0
"	450	"	20.2	"	"	"	113	261.0	200.0	190.0	129.0
600	300	23.9	16.6	210	240	150	75	267.0	234.0	172.0	139.0
"	350	"	17.8	"	"	"	88	282.0	241.0	187.0	146.0
"	400	"	19.0	"	"	"	100	303.0	252.0	208.0	157.0
"	450	"	20.2	"	"	"	113	324.0	263.0	230.0	168.0
"	500	"	21.5	"	"	"	125	349.0	274.0	244.0	183.0
700	400	26.3	19.0	"	"	175	100	357.0	306.0	235.0	184.0
"	450	"	20.2	"	"	"	113	379.0	317.0	256.0	195.0
"	500	"	21.5	"	"	"	125	400.0	329.0	278.0	207.0
"	600	"	23.9	"	"	"	150	449.0	354.0	326.0	231.0
800	450	28.7	20.2	210	280	200	113	467.0	405.0	310.0	249.0

— 38 —

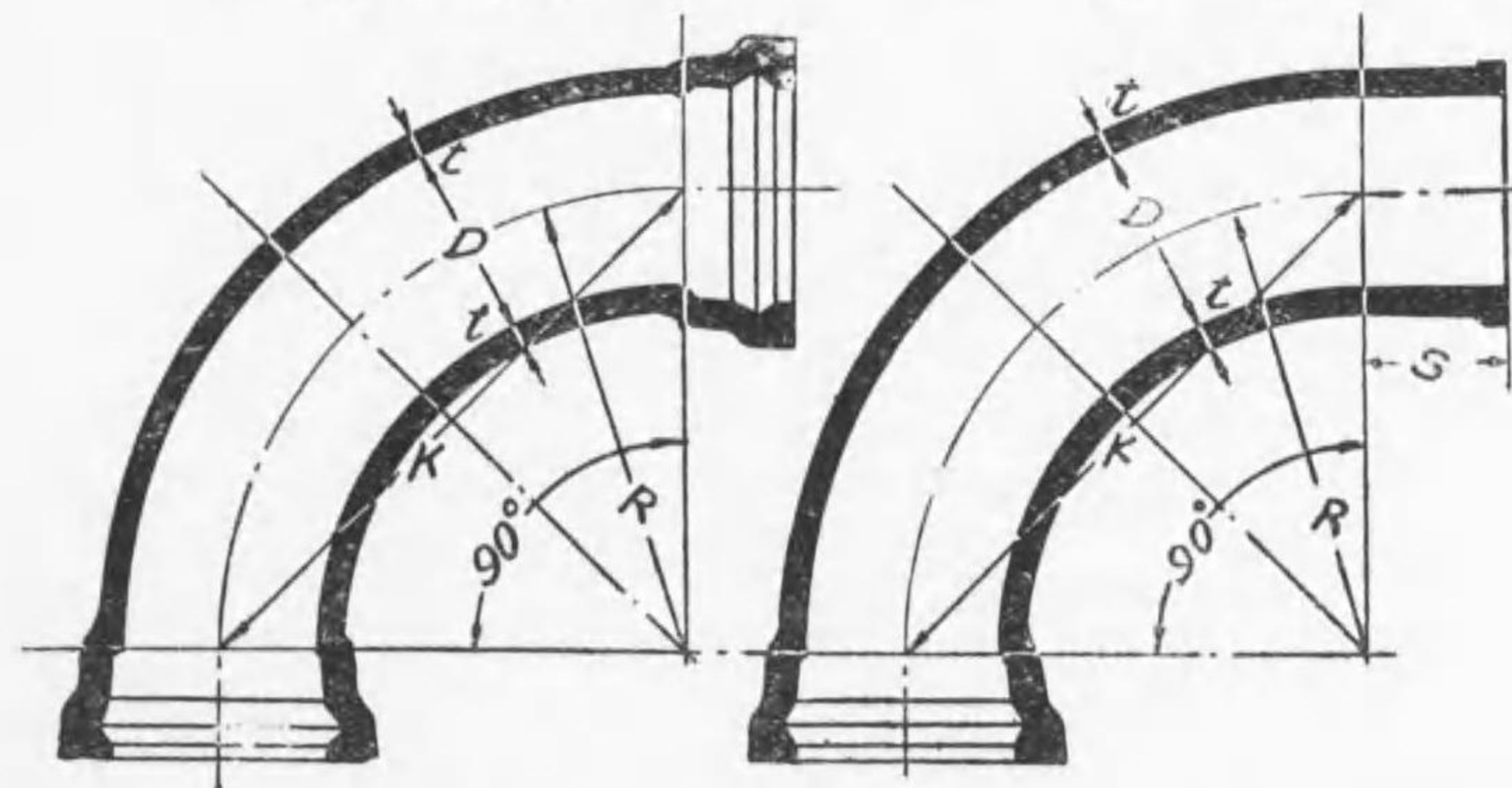
800	500	28.7	21.5	210	240	250	125	490.0	419.0	333.0	262.0
"	600	"	23.9	"	"	"	150	542.0	447.0	385.0	290.0
"	700	"	26.3	"	"	"	175	602.0	479.0	445.0	322.0
900	500	31.1	21.5	"	"	225	125	565.0	494.0	366.0	295.0
"	600	"	23.9	"	"	"	150	617.0	522.0	419.0	324.0
"	700	"	26.3	"	"	"	175	678.0	555.0	479.0	356.0
"	800	"	28.7	"	"	"	200	745.0	589.0	548.0	391.0
1000	500	33.6	21.5	210	230	250	125	677.0	606.0	437.0	366.0
"	600	"	23.9	"	"	"	150	731.0	636.0	490.0	395.0
"	700	"	26.3	"	"	"	175	798.0	676.0	538.0	435.0
"	800	"	28.7	"	"	"	200	871.0	715.0	631.0	474.0
"	900	"	31.1	"	"	"	225	953.0	755.0	713.0	514.0
1100	600	36.0	23.9	"	"	275	150	821.0	793.0	535.0	440.0
"	700	"	26.3	"	"	"	175	889.0	766.0	603.0	480.0
"	800	"	28.7	"	"	"	200	960.0	804.0	674.0	517.0
"	900	"	31.1	"	"	"	225	1040.0	845.0	757.0	558.0
"	1000	"	33.6	"	"	"	250	1130.0	888.0	843.0	602.0
1200	700	38.4	23.9	400	300	300	175	1040.0	916.0	699.0	576.0
"	800	"	26.3	"	"	"	200	1120.0	960.0	777.0	630.0
"	900	"	28.7	"	"	"	225	1200.0	1010.0	865.0	666.0
"	1000	"	31.1	"	"	"	250	1300.0	1050.0	956.0	715.0
"	1100	"	33.6	"	"	"	275	1390.0	1110.0	1050.0	766.0
1300	800	42.0	23.9	"	"	348	200	1290.0	1130.0	859.0	702.0
"	900	"	26.3	"	"	"	225	1380.0	1180.0	943.0	749.0
"	1000	"	28.7	"	"	"	250	1430.0	1230.0	1040.0	799.0
"	1100	"	31.1	"	"	"	275	1570.0	1280.0	1140.0	851.0
"	1200	"	33.6	"	"	"	300	1650.0	1340.0	1250.0	908.0
1500	900	45.7	31.1	445	320	380	225	1700.0	1500.0	1170.0	974.0
"	1000	"	26.3	"	"	"	250	1800.0	1560.0	1270.0	1030.0
"	1100	"	28.7	"	"	"	275	1910.0	1630.0	1380.0	1100.0
"	1200	"	31.1	"	"	"	300	2030.0	1690.0	1500.0	1160.0
"	1350	"	42.0	"	"	"	348	2220.0	1790.0	1700.0	1270.0

— 38 —

90° 曲 管

(普通壓及低壓用)

90° 兩承曲管 90° 曲 管



(承口及挿口ノ寸法ハ直管ニ同シ) $R = D + 200$ 耗 $K = 2R \sin 45^\circ$

第七號第一表

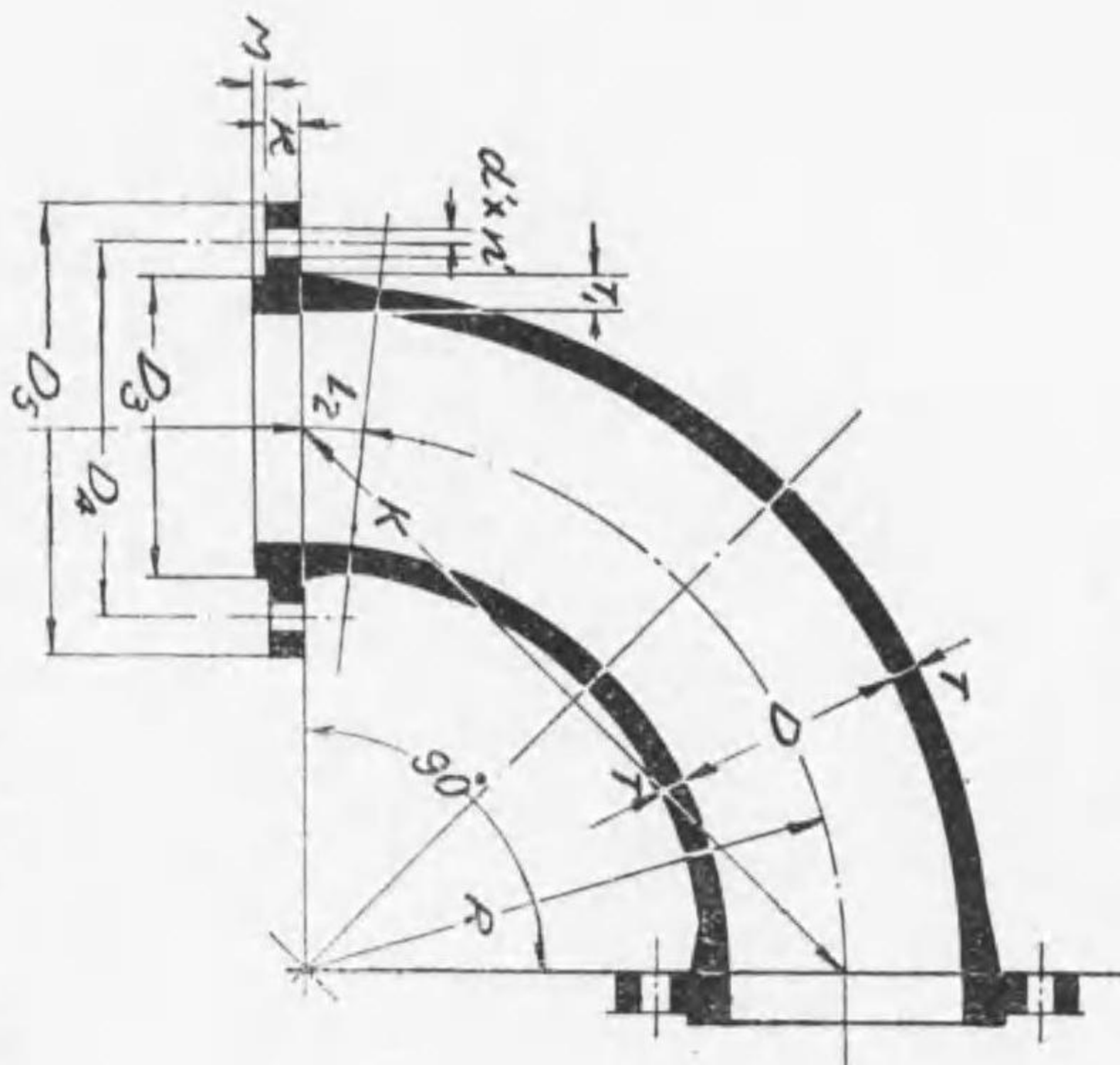
公稱内徑	管 厚	各 部 ノ 寸 法			重 量	
		R	K	S	90°兩承曲管 耗	90° 曲 管 耗
75	11.2	400	565.7	200	33.1	25.5
100	11.8	"	"	"	44.5	34.6
125	12.4	"	"	"	55.4	43.7
150	13.0	"	"	"	69.8	54.7
200	14.2	"	"	"	97.6	77.3
250	15.4	"	"	250	132.0	104.0
300	16.6	500	707.1	"	189.0	156.0
350	17.8	"	"	"	235.0	194.0
400	19.0	600	848.5	"	318.0	267.0
450	20.2	"	"	"	380.0	319.0
500	21.5	700	990.0	"	484.0	413.0
600	23.9	800	1131.4	300	714.0	639.0
700	26.3	900	1272.8	"	986.0	863.0
800	28.7	1000	1414.2	"	1320.0	1160.0
900	31.1	1100	1555.6	"	1720.0	1530.0

90°突縁曲管及90°片突曲管

(普通壓及低壓用)

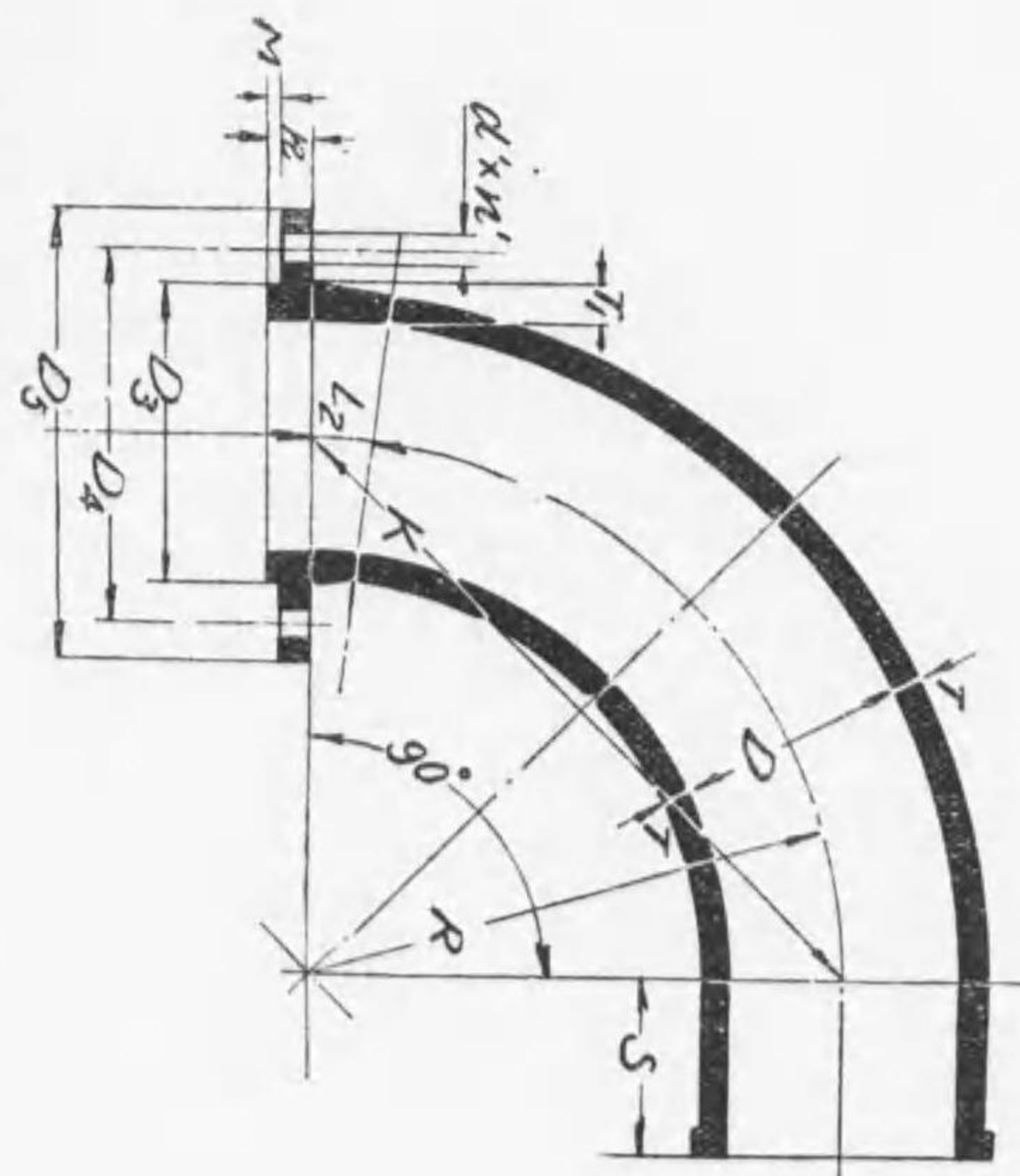
90° 突 縁 曲 管

90° 片 突 曲 管



(突縁及挿口ノ寸法ハ直管ニ同シ)

$R = D + 200$ 耗

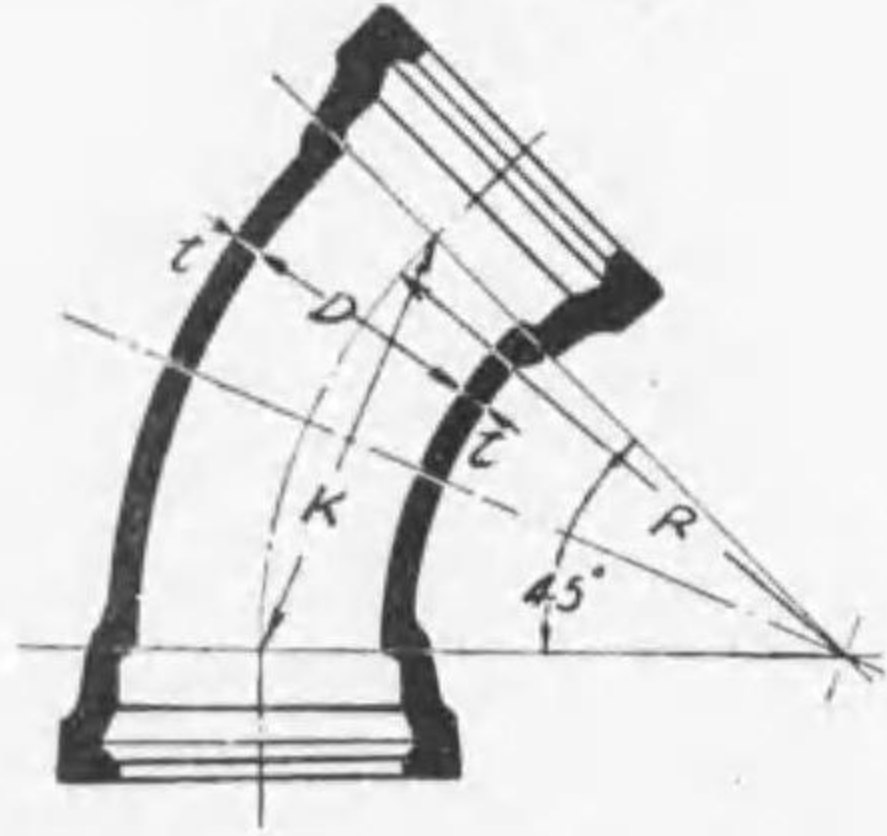


$R = 2R \sin 45^\circ$

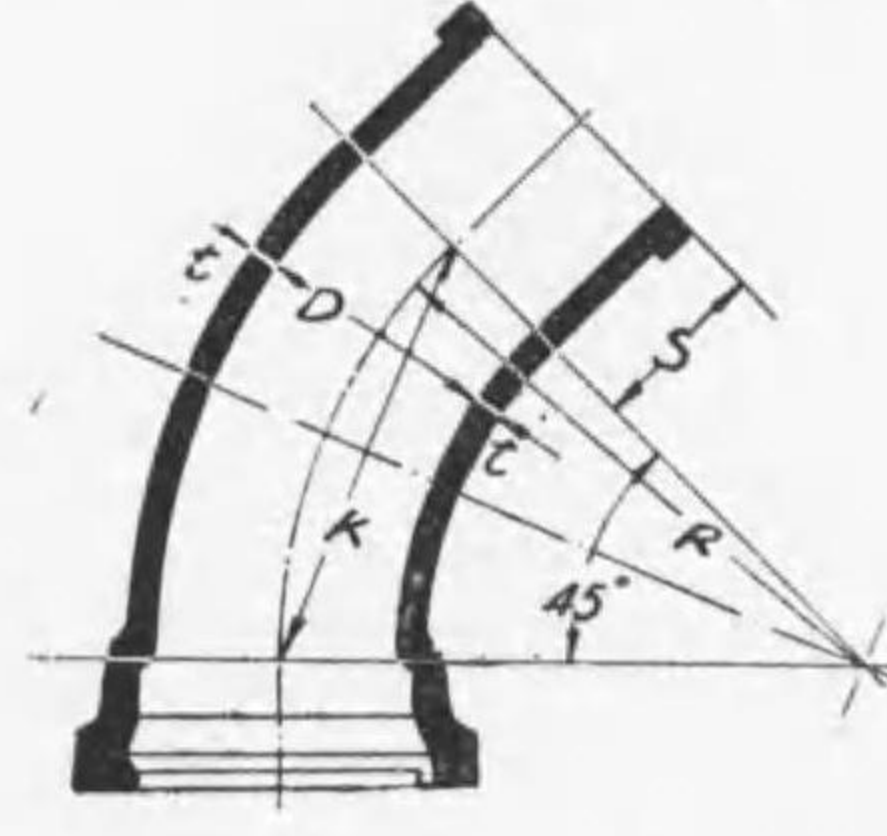
45° 曲 管

(普通壓及低壓用)

45° 兩. 承 曲 管



45° 曲 管



(承口及挿口ノ寸法ハ直管ニ同シ) $R=2D+100$ 耗 $K=2R\sin 22\frac{1}{2}^\circ$

第 八 號 第 一 表

公稱内徑	管 厚	各 部 ノ 寸 法			重 量	
		R	K	S	45° 兩承曲管 耗	45° 曲 管 耗
75	11.2	600	459.2	200	29.7	22.2
100	11.8	"	"	"	39.8	30.0
125	12.4	"	"	"	49.5	37.7
150	13.0	"	"	"	62.9	47.3
200	14.2	"	"	"	86.9	66.7
250	15.4	"	"	"	117.0	90.0
300	16.6	700	535.8	"	164.0	123.0
350	17.8	800	612.3	"	205.0	164.0
400	19.0	900	688.8	"	267.0	216.0
450	20.2	1000	765.4	"	336.0	275.0
500	21.5	1100	841.9	"	413.0	342.0
600	23.9	1300	995.0	"	602.0	507.0
700	26.3	1500	1148.1	"	842.0	719.0
800	28.7	1700	1301.1	1030.0	962.0
900	31.1	1900	1454.2	1380.0	1260.0
1000	33.6	2100	1607.3	1780.0	1620.0
1100	36.0	2300	1760.3	2240.0	2040.0
1200	38.4	"	"	2620.0	2370.0
1350	42.0	"	"	3240.0	2900.0
1500	45.7	"	"	3930.0	3490.0

90° 突緣曲管及 90° 片突曲管

第 七 號 第 二 表

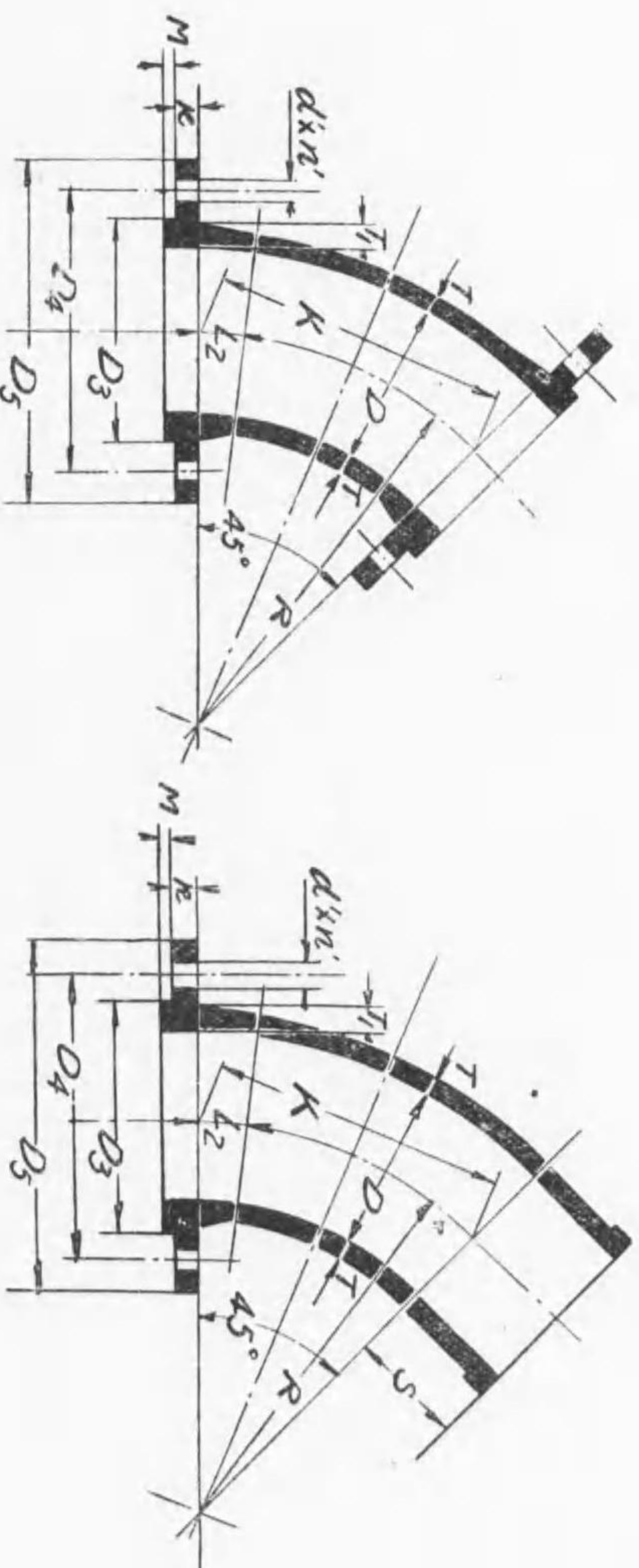
公稱内徑	管 厚	L ₂	D ₂	D ₁	D ₃	k	M	法		各 部 ノ 寸 法			重 量	
								ボールド孔	ニ	R	K	S		90° 突緣曲管 耗
75	11.2	16.2	107	103	125	21	3	19.0	4	400	565.7	200	29.4	23.7
100	11.8	16.8	"	135	152	22	"	"	"	"	"	"	38.9	31.8
125	12.4	17.4	"	230	250	"	"	"	6	"	"	"	48.1	40.0
150	13.0	18.0	"	290	304	23	"	"	"	"	"	"	59.1	49.4
200	14.2	19.2	"	342	366	24	"	"	8	"	"	"	82.0	69.5
250	15.4	20.4	"	410	408	26	"	22.0	"	"	"	250	113.0	94.9
300	16.6	22.6	120	464	462	27	10	"	10	500	707.1	"	169.0	146.0
350	17.8	23.8	"	530	472	28	12	25.0	"	"	"	"	212.0	183.0
400	19.0	25.0	"	582	524	30	"	"	"	600	848.5	"	285.0	251.0
450	20.2	26.2	"	652	585	31	"	28.5	"	"	"	"	345.0	301.0
500	21.5	27.5	"	706	639	32	"	"	"	700	990.0	"	443.0	393.0
600	23.9	29.9	"	810	752	35	"	"	16	800	1131.4	300	653.0	539.0
700	26.3	32.3	"	928	854	38	"	31.5	"	900	1272.8	"	914.0	827.0
800	28.7	35.7	140	1034	960	41	"	"	20	1000	1414.2	"	1230.0	1120.0
900	31.1	38.1	"	1156	1073	44	"	35.0	"	1100	1555.6	"	1610.0	1470.0

45°突縁曲管及45°片突曲管

(普通壓及低壓用)

45°突縁曲管

45°片突曲管



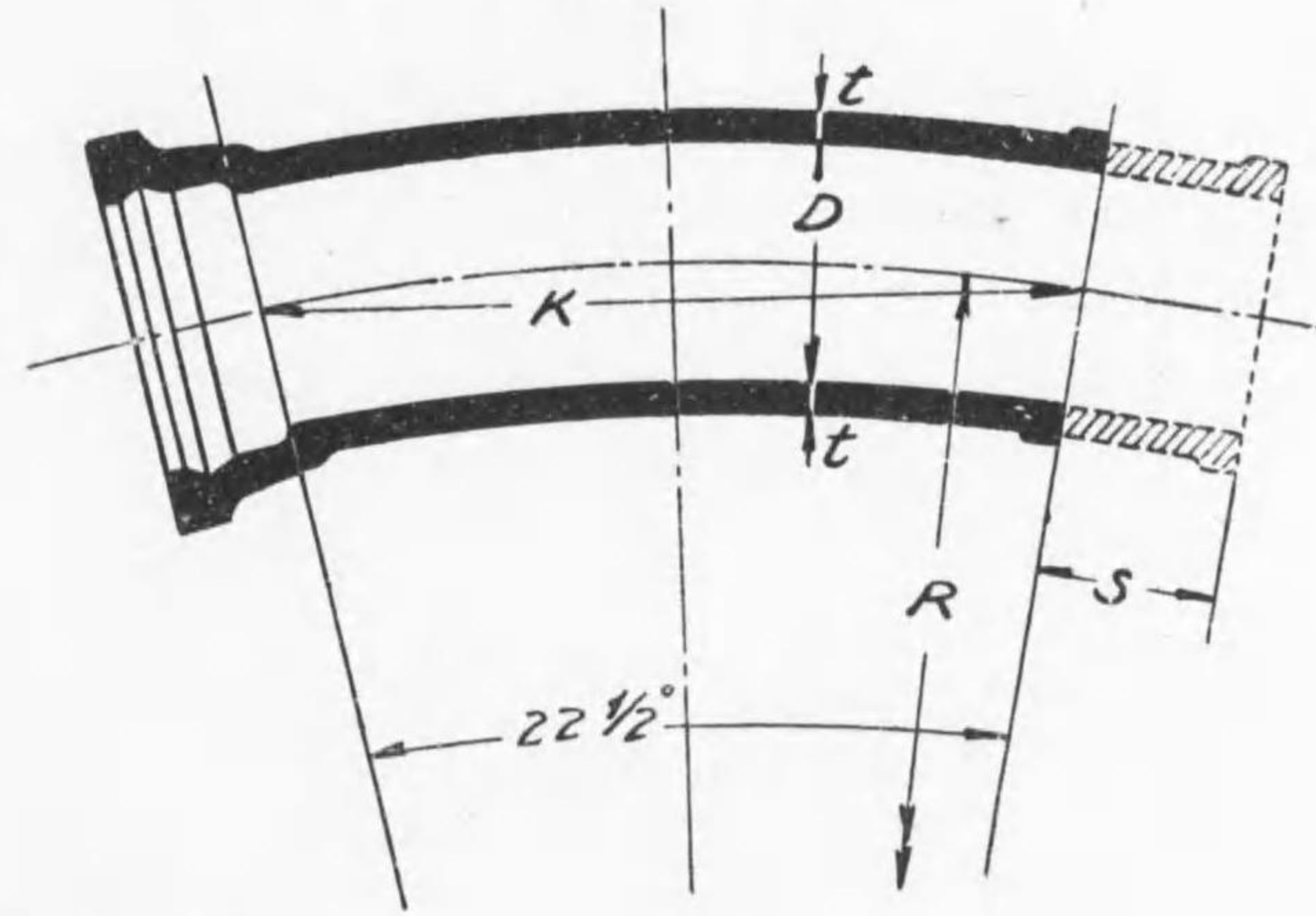
(突縁及挿口ノ寸法ハ直管ニ同シ) $R = 2D + 100$ 耗 $K = 2R \sin 22\frac{1}{2}^\circ$

45°突縁曲管及45°片突曲管

第八號 第二表

公稱内徑 D	管 厚		L ₂	突 縁		寸 法			各 部 ノ 寸 法		重 量	重 量			
	T	T ₁		D ₂	D ₁	D ₃	k	M	法 規	R			K	S	
75	11.2	16.2	100	211	168	135	21	3	19.0	4	600	459.2	200	26.1	20.4
100	11.8	16.8	"	238	195	132	22	"	"	"	"	"	"	34.3	27.2
125	12.4	17.4	"	263	220	177	"	"	"	6	"	"	"	42.1	34.1
150	13.0	18.0	"	290	247	204	23	"	"	"	"	"	"	51.6	42.0
200	14.2	19.2	"	342	299	236	24	"	"	8	"	"	"	71.3	58.8
250	15.4	20.4	"	410	360	308	26	"	22.0	"	"	"	"	98.4	80.6
300	16.6	22.6	120	464	414	382	27	4	"	10	700	535.8	"	135.0	113.0
350	17.8	23.8	"	530	472	414	28	"	25.0	"	800	612.3	"	182.0	153.0
400	19.0	25.0	"	582	524	466	30	"	"	12	900	688.8	"	234.0	200.0
450	20.2	26.2	"	652	585	518	31	"	28.5	"	1000	765.4	"	300.0	257.0
500	21.5	27.5	"	706	639	572	32	"	"	"	1100	841.9	"	372.0	322.0
600	23.9	29.9	"	810	743	676	35	"	"	16	1300	995.0	"	541.0	477.0
700	26.3	32.3	"	928	854	730	33	"	31.5	"	1500	1148.1	"	770.0	633.0
800	28.7	35.7	140	1034	960	836	41	5	"	20	1700	1301.1	"	932.0	830.0
900	31.1	38.1	"	1156	1073	990	44	"	35.0	"	1900	1454.2	"	1260.0	1120.0
1000	33.6	40.6	"	1262	1179	1086	46	"	"	24	2100	1667.3	"	1630.0	1450.0
1100	36.0	43.0	"	1365	1233	1200	49	"	"	"	2300	1760.3	"	2060.0	1870.0
1200	38.4	45.4	"	1470	1337	1304	52	"	"	23	"	"	"	2400.0	2170.0
1350	42.0	50.0	160	1642	1552	1462	56	6	33.0	"	"	"	"	2980.0	2680.0
1500	45.7	53.7	"	1800	1710	1630	60	"	"	32	"	"	"	3600.0	3240.0

22 1/2° 曲 管
(普通壓及低壓用)



(300耗迄ハ點線ノ部分アリ
(承口及挿口ノ寸法ハ直管ニ同シ)

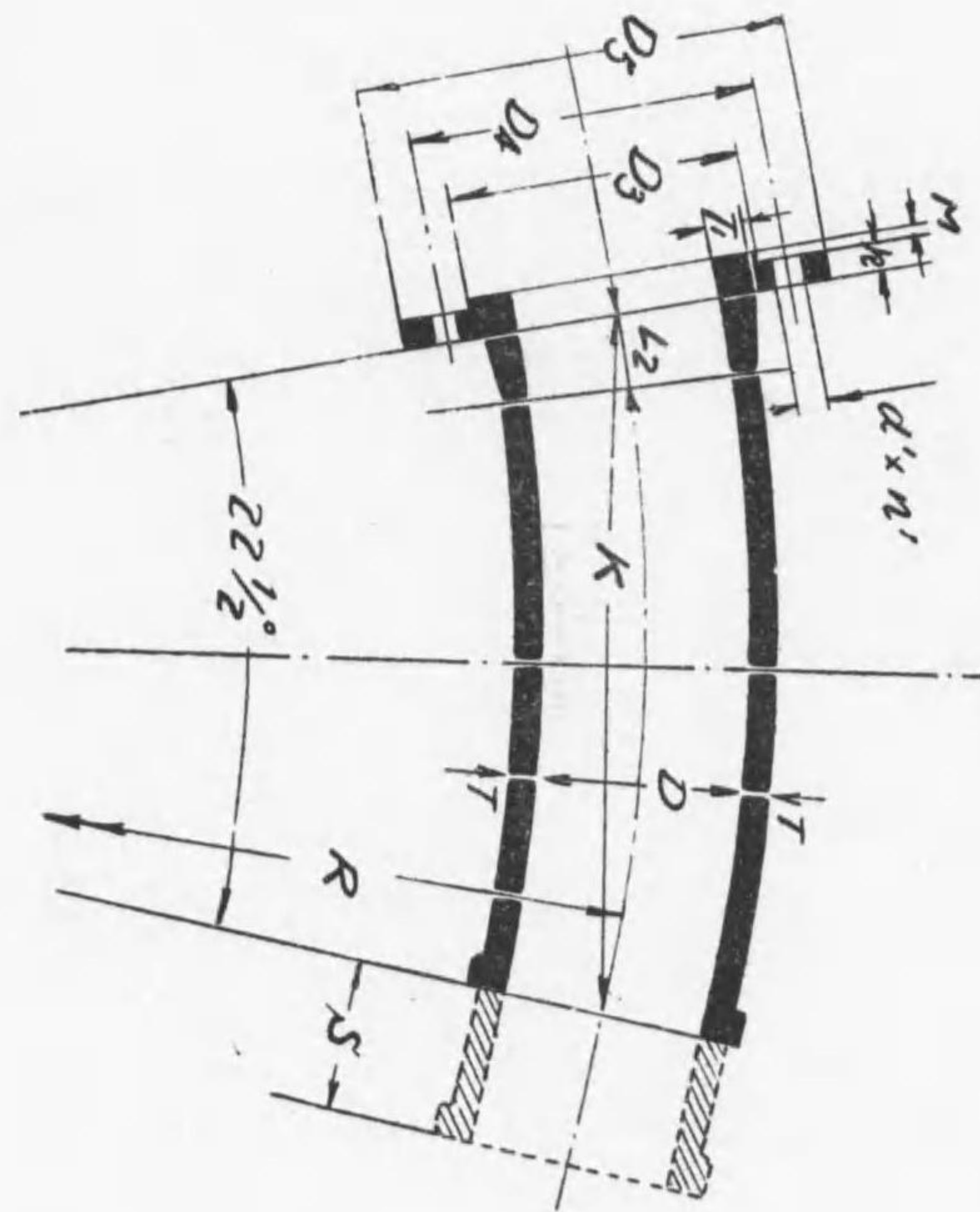
$R = 4D + 200$ 耗 $K = 2R \sin 11 1/4^\circ$

第九號第一表

公稱内徑	管 厚	各 部 ノ 寸 法			重 量
D	t	R	K	S	耗
75	11.2	1200	468.2	150	21.1
100	11.8	"	"	"	28.5
125	12.4	"	"	"	35.8
150	13.0	"	"	"	45.0
200	14.2	"	"	"	63.3
250	15.4	"	"	"	85.4
300	16.6	1400	546.3	"	117.0
350	17.8	1600	624.3	135.0
400	19.0	1800	702.3	180.0
450	20.2	2000	780.4	233.0
500	21.5	2200	858.4	292.0
600	23.9	2600	1014.5	441.0
700	26.3	3000	1170.5	634.0
800	28.7	3400	1326.6	876.0
900	31.1	3800	1482.7	1180.0
1000	33.6	4200	1638.8	1540.0
1100	36.0	4500	1755.8	1920.0
1200	38.4	"	"	2240.0
1350	42.0	"	"	2760.0
1500	45.7	"	"	3340.0

22 1/2° 片 突 曲 管

(普通壓及低壓用)



(300耗迄ハ點線ノ部分アリ)
(突 縁 及 挿 口 ノ 寸 法
ハ 直 管 ニ 同 シ)

$R = 4D + 200$ 耗

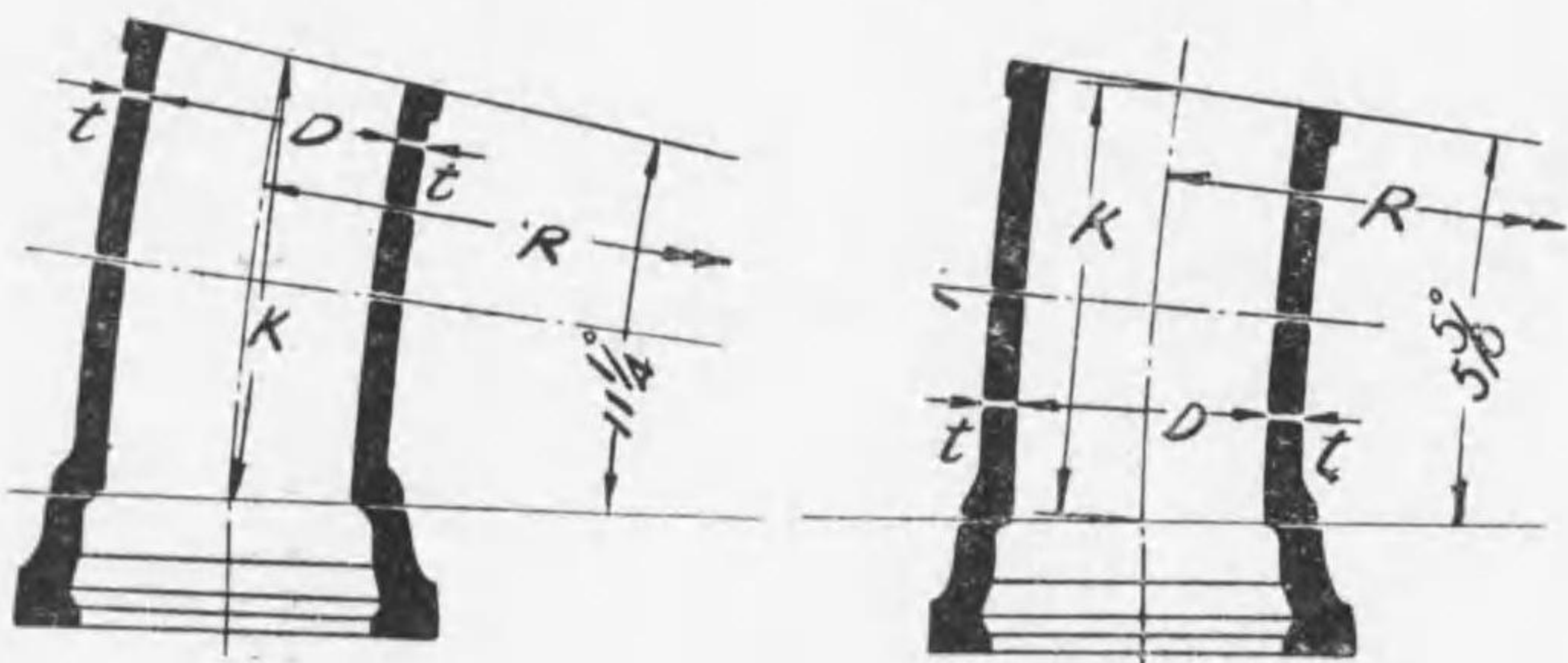
$K = 2R \sin 11 1/4^\circ$

1 1/4° 曲管及 5 5/8° 曲管

(普通壓及低壓用)

1 1/4° 曲管

5 5/8° 曲管



(承口及挿口ノ寸法ハ直管ニ同シ)

第十號 第一表

第十一號 第一表

公稱内徑	管 厚	1 1/4° 曲 管			5 5/8° 曲 管		
		R	K	重 量	R	K	重 量
75	11.2	3000	588.1	20.4
100	11.8	"	"	27.6
125	12.4	"	"	34.6
150	13.0	"	"	43.4
200	14.2	4000	784.1	74.4
250	15.4	"	"	100.0
300	16.6	"	"	127.0	10000	981.4	150.0
350	17.8	5000	980.2	187.0	"	"	187.0
400	19.0	"	"	229.0	"	"	229.0
450	20.2	"	"	274.0	"	"	274.0
500	21.5	6000	1176.2	371.0	12000	1177.6	371.0
600	23.9	"	"	494.0	"	"	494.0
700	26.3	"	"	634.0	"	"	634.0
800	28.7	"	"	792.0	"	"	792.0
900	31.1	"	"	972.0	"	"	972.0
1000	33.6	"	"	1170.0	"	"	1170.0
1100	36.0	"	"	1380.0	"	"	1380.0
1200	38.4	"	"	1610.0	"	"	1610.0
1350	42.0	"	"	1990.0	"	"	1990.0
1500	45.7	"	"	2410.0	"	"	2410.0

2 1/2° 片突曲管

第九號 第二表

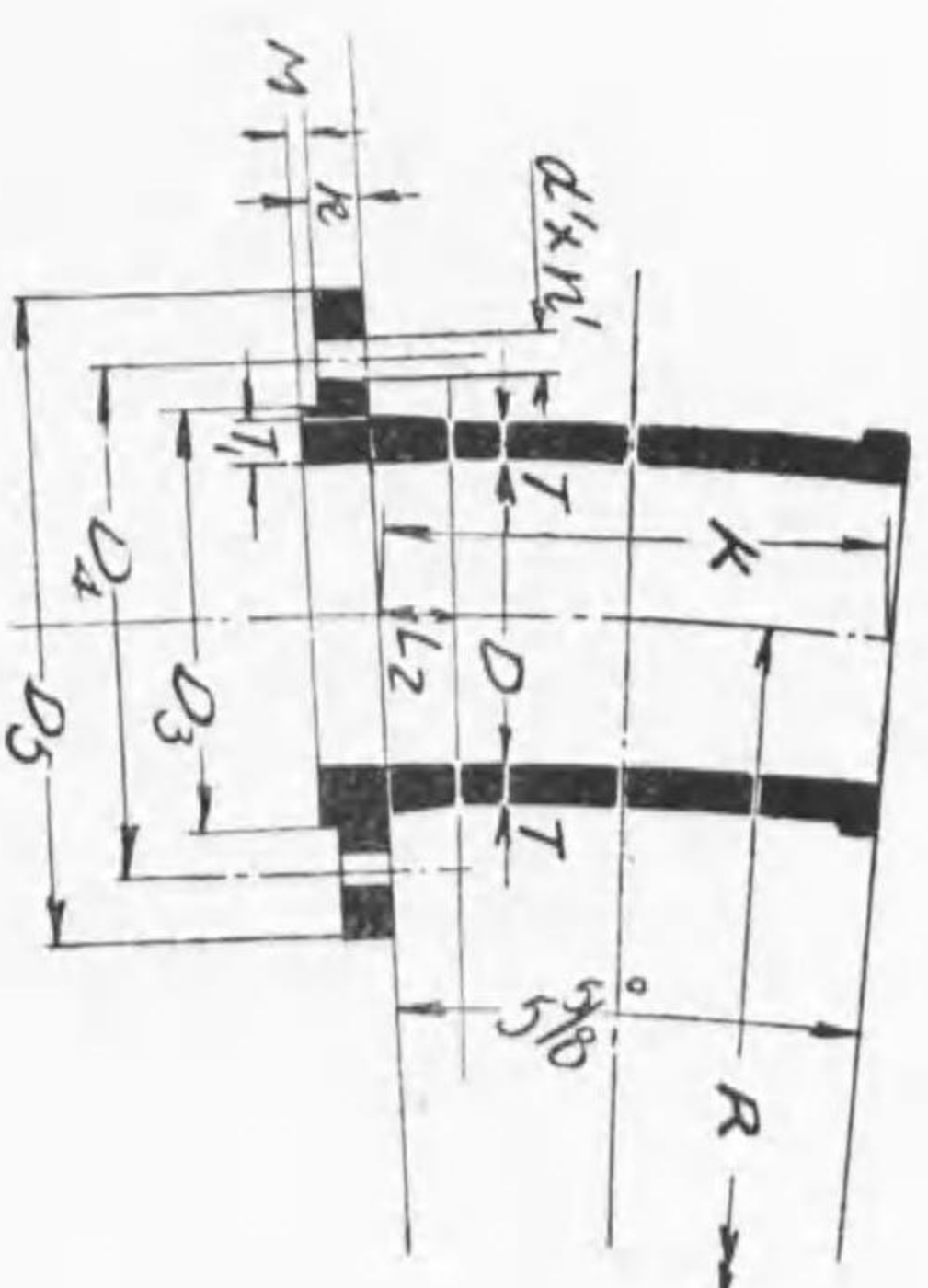
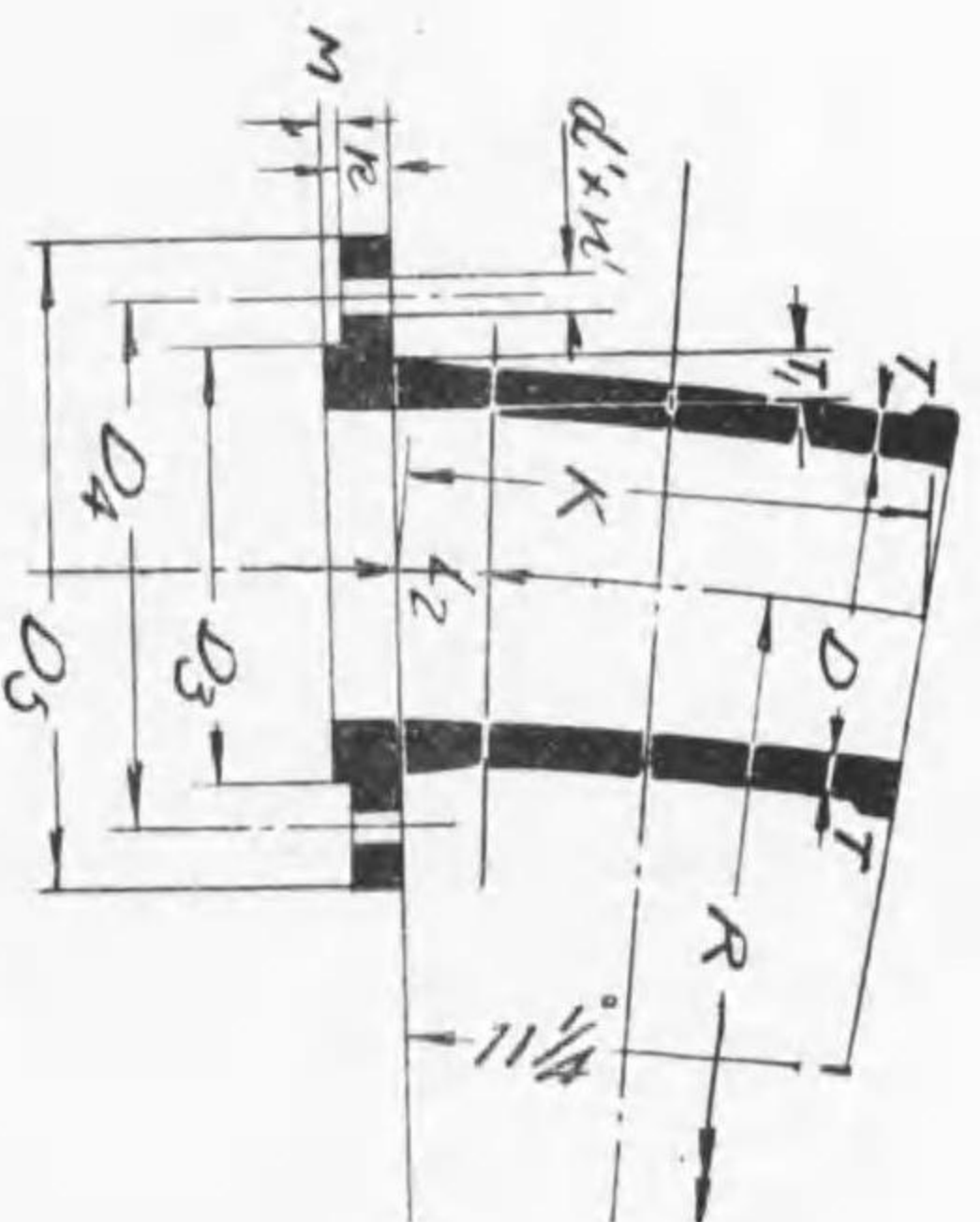
公稱内徑	管 厚	D ₁	D ₂	D ₃	k	M	法		各部ノ寸法	重 量		
							d	r				
75	11.2	16.2	100	511	168	135	19.0	4	1500	468.2	150	19.3
100	11.8	16.8	"	238	195	152	"	"	"	"	"	25.7
125	12.4	17.4	"	263	220	177	"	6	"	"	"	32.2
150	13.0	18.0	"	290	247	204	"	"	"	"	"	39.6
200	14.2	19.2	"	342	299	256	"	8	"	"	"	55.7
250	15.4	20.4	"	410	360	308	22.0	"	"	"	"	76.0
300	16.6	22.6	120	464	414	362	25.0	10	1400	546.3	"	107.0
350	17.8	23.8	"	530	472	414	"	"	1600	624.3	133.0
400	19.0	25.0	"	582	524	466	"	12	1800	702.3	164.0
450	20.2	26.2	"	652	585	518	23.5	"	2000	780.4	214.0
500	21.5	27.5	"	706	639	572	"	"	2200	838.4	271.0
600	23.9	29.9	"	810	743	676	"	16	2600	1014.5	411.0
700	26.3	32.3	"	938	854	780	31.5	"	3000	1170.5	597.0
800	28.7	35.7	140	1034	960	886	"	20	3400	1398.6	830.0
900	31.1	38.1	"	1136	1073	990	35.0	"	3800	1482.7	1130.0
1000	33.6	40.6	"	1262	1179	1096	"	24	4200	1638.8	1460.0
1100	36.0	43.0	"	1363	1283	1200	"	"	4500	1755.8	1830.0
1200	38.4	45.4	"	1470	1387	1304	38.0	"	"	"	2130.0
1350	42.0	50.0	160	1642	1552	1462	"	"	"	"	2630.0
1500	45.7	53.7	"	1800	1710	1620	"	32	"	"	3180.0

1 1/4° 片突曲管及 5/8° 片突曲管

(普通壓及低壓用)

1 1/4° 片突曲管

5/8° 片突曲管



(突縁及挿口ノ寸法ハ直管ニ同シ)

1 1/4° 片突曲管

第十號 第二表

公稱内徑 D	管 T	厚 T ₁	突		縁		寸		法		各 部 寸 法		重 量
			D ₁	D ₂	D ₃	D ₄	L ₂	k	M	ボルト孔 d' r'	R	K	
75	11.2	16.2	168	211	152	100	21	3	19.0	4	3000	388.1	18.6
100	11.8	16.8	195	238	152	"	22	"	"	"	"	"	24.8
125	12.4	17.4	220	263	177	"	"	"	"	6	"	"	30.9
150	13.0	18.0	247	280	204	"	23	"	"	"	"	"	38.1
200	14.2	19.2	299	342	236	"	24	"	"	8	4000	784.1	66.6
250	15.4	20.4	360	410	308	"	26	"	22.0	"	"	"	91.0
300	16.6	22.6	404	464	362	120	27	4	"	10	"	"	117.0
350	17.8	23.8	472	530	414	"	28	"	25.0	"	5000	980.2	175.0
400	19.0	25.0	524	582	466	"	30	"	"	12	"	"	213.0
450	20.2	26.2	585	652	518	"	31	"	28.5	"	"	"	256.0
500	21.5	27.5	639	706	572	120	32	4	"	12	6000	1176.2	330.0
600	23.9	29.9	743	810	676	"	35	"	"	16	"	"	463.0
700	26.3	32.3	854	928	780	"	38	"	31.5	"	"	"	587.0
800	28.7	35.7	960	1034	886	140	41	5	"	20	"	"	746.0
900	31.1	38.1	1072	1136	990	"	44	"	35.0	"	"	"	916.0
1000	33.6	40.6	1179	1232	1096	"	46	"	"	24	"	"	1090.0
1100	36.0	43.0	1238	1336	1200	"	49	"	"	"	"	"	1290.0
1200	38.4	45.4	1387	1470	1304	"	52	"	"	28	"	"	1503.0
1350	42.0	50.0	1552	1642	1462	160	56	6	38.0	"	"	"	1860.0
1500	45.7	53.7	1710	1800	1620	"	60	"	"	32	"	"	2250.0

5/8° 片突曲管

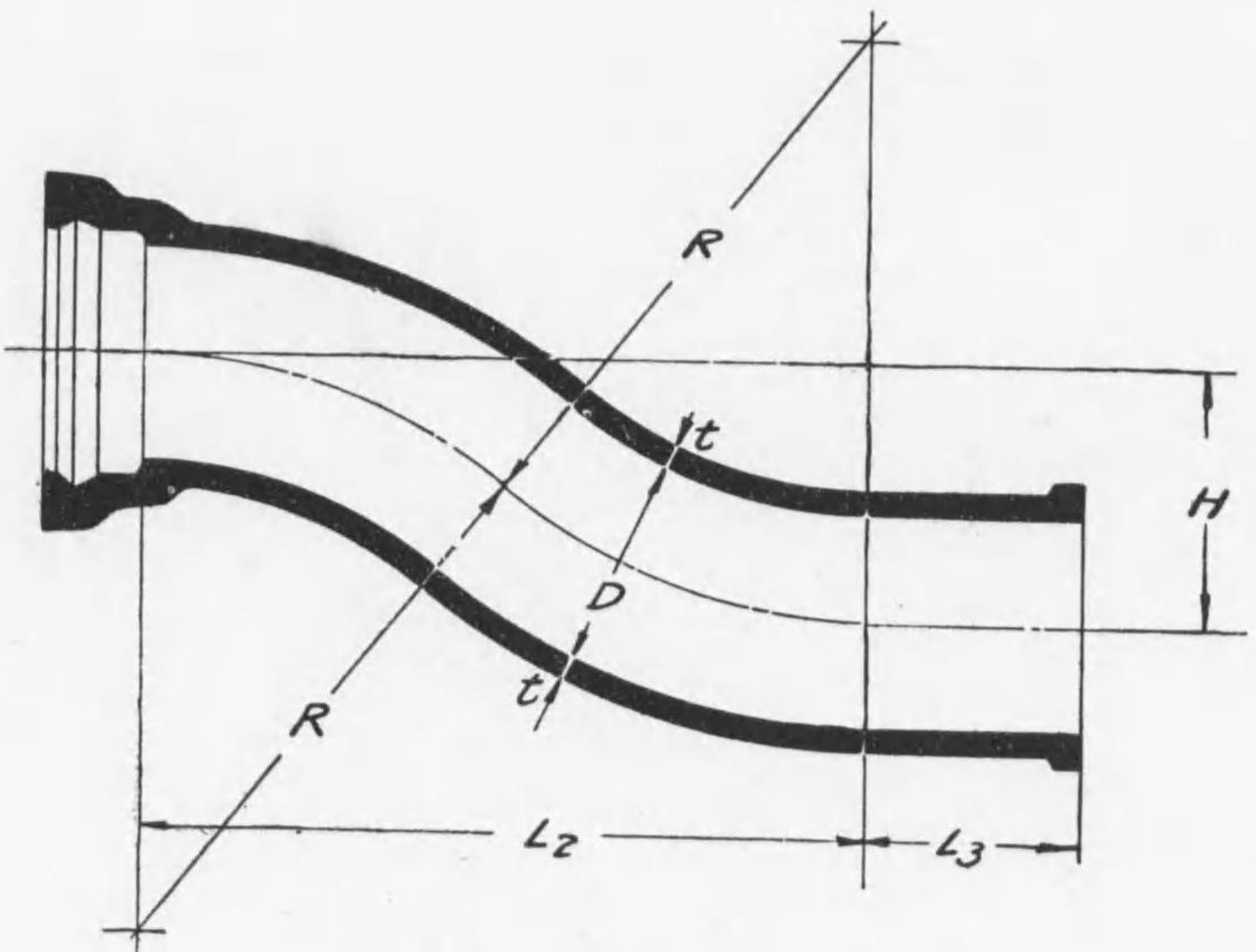
第十一號 第二表

公稱內徑 D	管 T	厚 T ₁	L ₂	突		線		D ₃	k	M	法		各部		重 量
				D ₂	D ₁	D ₂	D ₁				R	K			
300	16.6	22.6	120	404	414	362	27	4	22.0	10	10000	981.4	140.0		
350	17.8	23.8	"	530	472	414	28	"	25.0	"	"	"	175.0		
400	19.0	25.0	"	582	524	466	30	"	"	12	"	"	213.0		
450	20.2	26.2	"	632	585	518	31	"	28.5	"	"	"	276.0		
500	21.5	27.5	120	706	639	572	32	4	"	12	12000	1177.6	350.0		
600	23.9	29.9	"	810	743	676	35	"	"	16	"	"	463.0		
700	26.3	32.3	"	928	854	780	38	"	31.5	"	"	"	597.0		
800	28.7	35.7	140	1034	960	886	41	5	"	20	"	"	746.0		
900	31.1	38.1	"	1156	1073	990	44	"	35.0	"	"	"	916.0		
1000	33.6	40.6	"	1262	1179	1066	46	"	"	24	"	"	1090.0		
1100	36.0	43.0	"	1366	1238	1200	49	"	"	"	"	"	1290.0		
1200	38.4	45.4	"	1470	1387	1304	52	"	"	28	"	"	1500.0		
1350	42.0	50.0	160	1642	1532	1462	56	6	38.0	"	"	"	1860.0		
1500	45.7	53.7	"	1800	1710	1620	60	"	"	32	"	"	2250.0		

乙字管

(普通壓及低壓用)

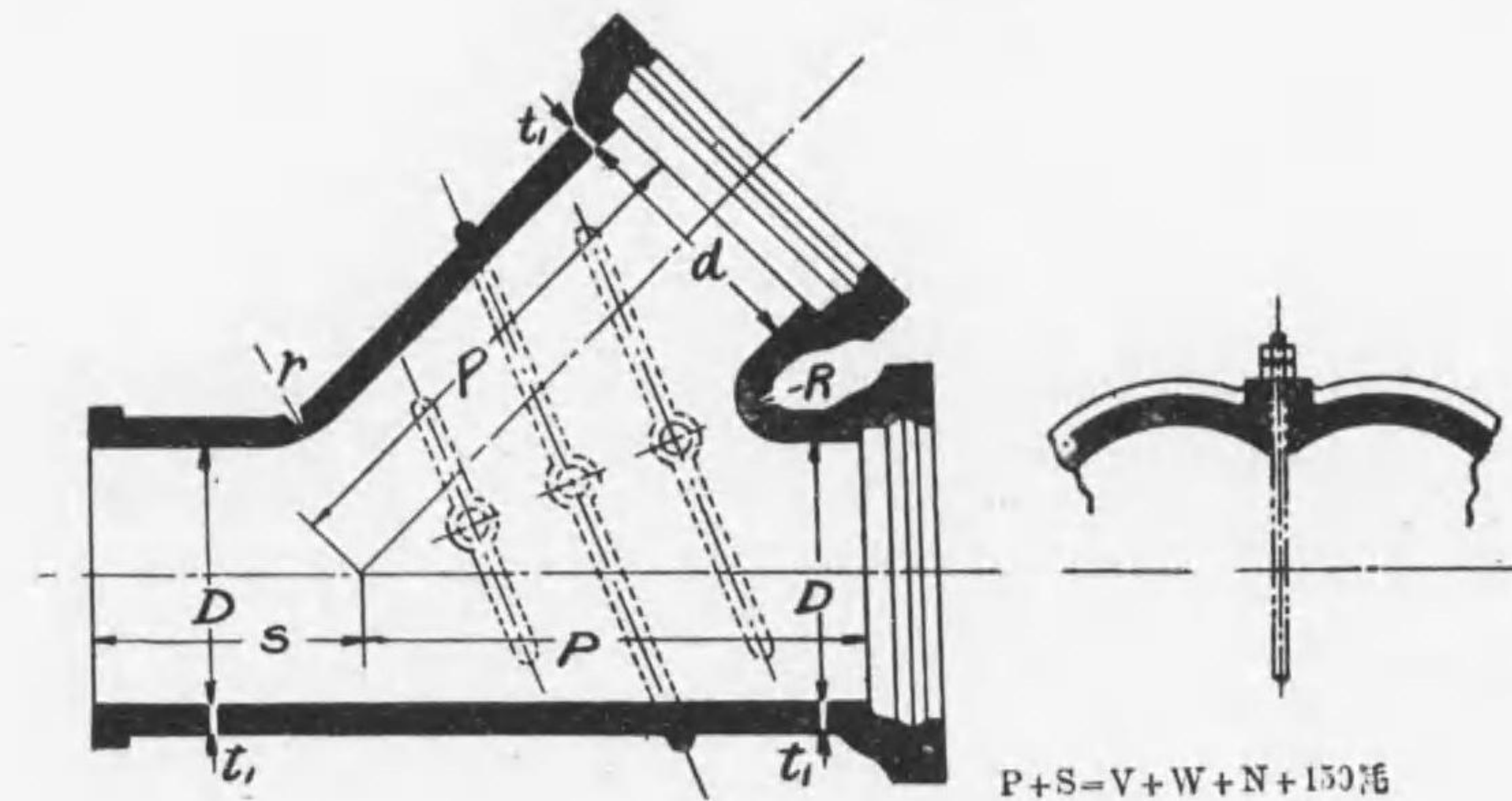
$$R = \frac{H^2 + L_2^2}{4H}$$



(承口及挿口ノ寸法ハ直管ニ同シ)

叉 管

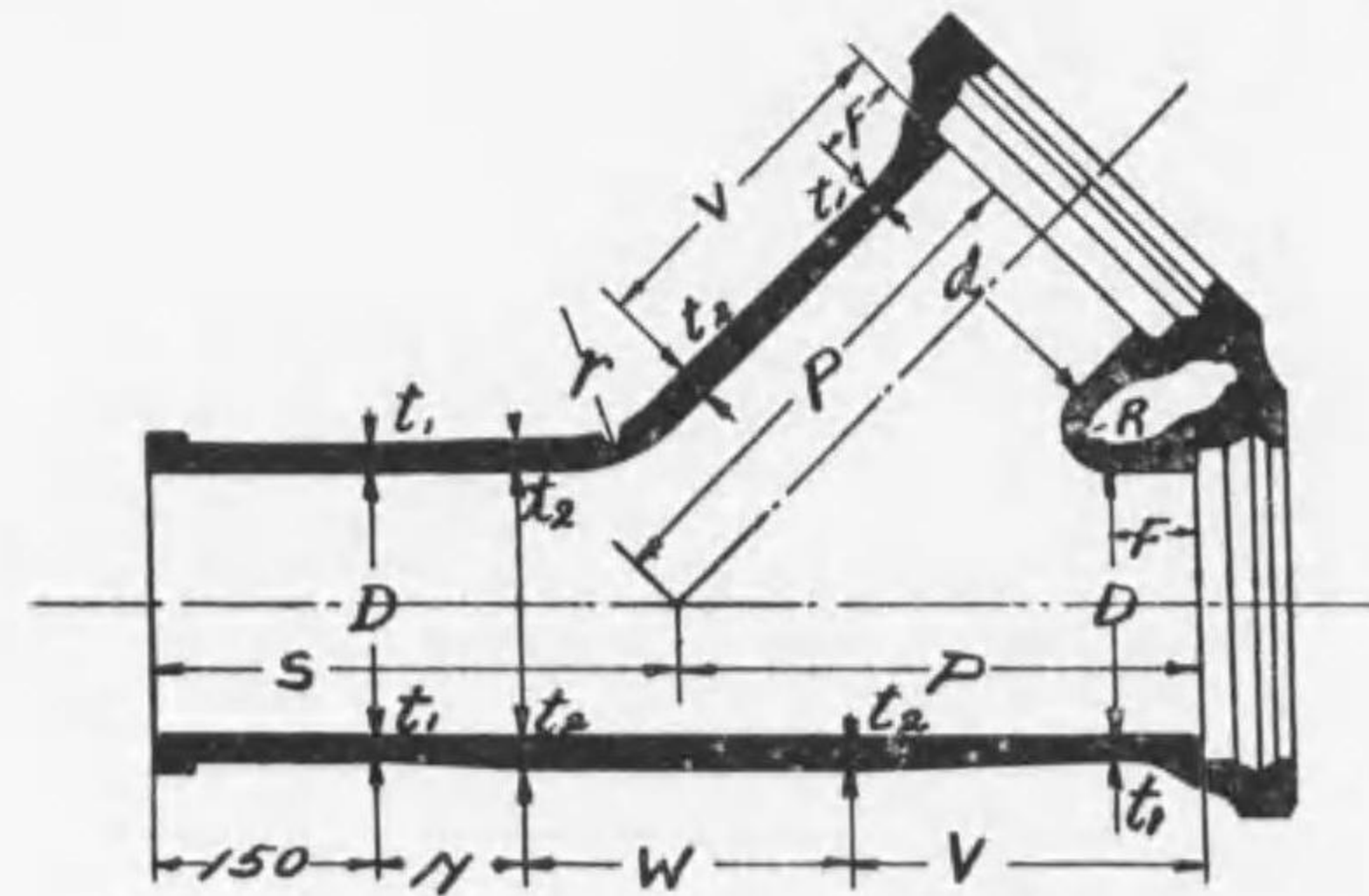
(普通壓及低壓用)



$$P+S=V+W+N+150\text{mm}$$

$$R=1.5t_1$$

$$r=10t_1$$



(承口及挿口ノ寸法ハ直管ニ同シ)

直徑 500 耗以下ノ管ニハ「ボルト」及助線ヲ用ヒス

乙 字 管

第十二號第一表

公稱内徑 D	管 厚 t	各 部 ノ 寸 法				重 量 kg
		L ₂	L ₃	R	H	
75	11.2	300	200	162.5	200	16.2
	"	350	"	177.0	300	17.5
	"	400	"	201.4	450	19.4
100	11.8	350	"	203.1	200	22.4
	"	400	"	208.3	300	24.0
	"	450	"	225.0	450	26.5
125	"	500	"	254.1	600	29.2
	12.4	400	"	250.0	200	28.7
	"	480	"	267.0	300	31.2
150	"	550	"	280.5	450	34.6
	"	600	"	300.0	600	37.7
	13.0	480	"	267.0	300	39.2
200	"	550	"	280.5	450	43.3
	"	600	"	300.0	600	47.3
	14.2	550	"	327.0	300	56.8
250	"	650	"	347.2	450	65.0
	"	700	"	354.1	600	68.7
	15.4	600	"	375.0	300	78.7
300	"	700	"	384.7	450	87.1
	"	800	"	416.6	600	95.9
	16.6	680	"	460.3	300	103.0
350	"	800	"	468.0	450	114.0
	"	900	"	487.5	600	125.0
	17.8	680	220	460.3	300	131.0
400	"	800	"	468.0	450	145.0
	"	900	"	487.5	600	159.0
	19.0	750	"	543.7	300	167.0
400	"	900	"	562.5	450	187.0
	"	1000	"	566.6	600	203.0

又 管

第十三號 第一表

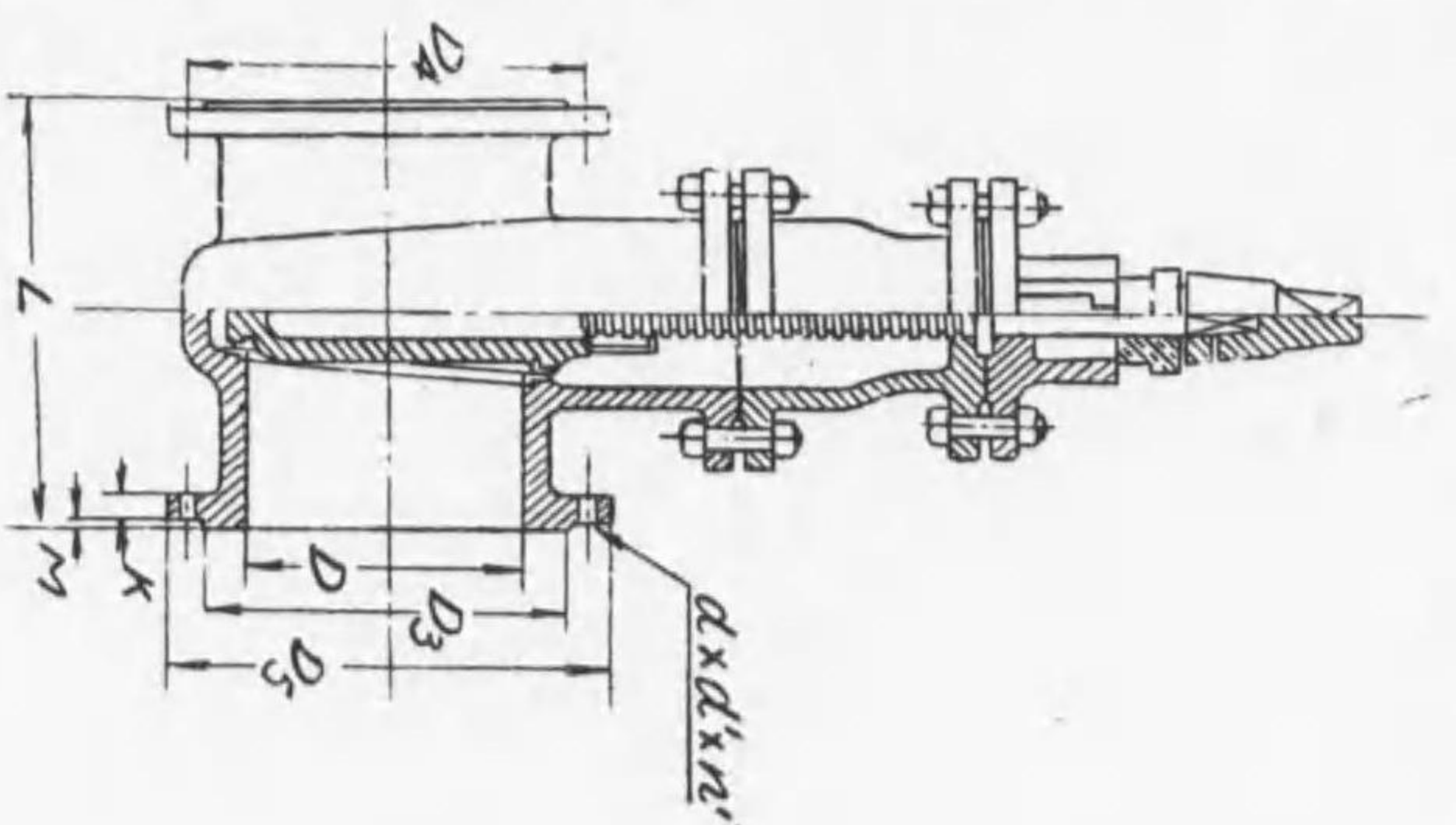
公稱 内徑 D	内徑 d	管 厚		管 徑		長						重 量 kg
		t ₁	t ₂	P	S	V	W	N	R	r		
75	75	12.5	15.0	240	270	157	159	44	19	125	33.0	
100	100	13.2	16.3	270	290	182	169	59	20	135	46.9	
125	125	14.0	16.6	300	310	207	180	73	21	140	60.9	
150	150	14.7	17.0	330	330	236	190	84	22	145	79.2	
200	200	15.4	18.3	410	380	303	211	109	23	155	121.0	
250	250	16.2	19.5	470	390	356	232	114	24	165	172.0	
300	300	16.9	20.2	550	410	419	252	119	25	170	227.0	
350	350	17.8	21.3	610	410	472	273	125	27	180	295.0	
400	400	19.0	22.2	730	440	640	295	145	29	190	456.0	
450	450	20.2	23.5	863	470	711	305	164	30	200	583.0	
500	500	21.5	20.5	940	480	780	318	172	32	215	724.0	
600	600	23.9	23.9	1100	500	36	240	914.0	
700	700	26.3	26.3	1200	530	40	265	1230.0	
800	800	28.7	28.7	1350	570	43	290	1670.0	
900	900	31.1	31.1	1500	610	47	310	2220.0	
1000	1000	33.6	33.6	1700	650	50	335	2840.0	
1100	1100	36.0	36.0	1800	650	54	360	3560.0	
1200	1200	38.4	38.4	1900	670	58	385	4400.0	

制 水 瓣

第十四號 第一表

(普通壓及低壓用)

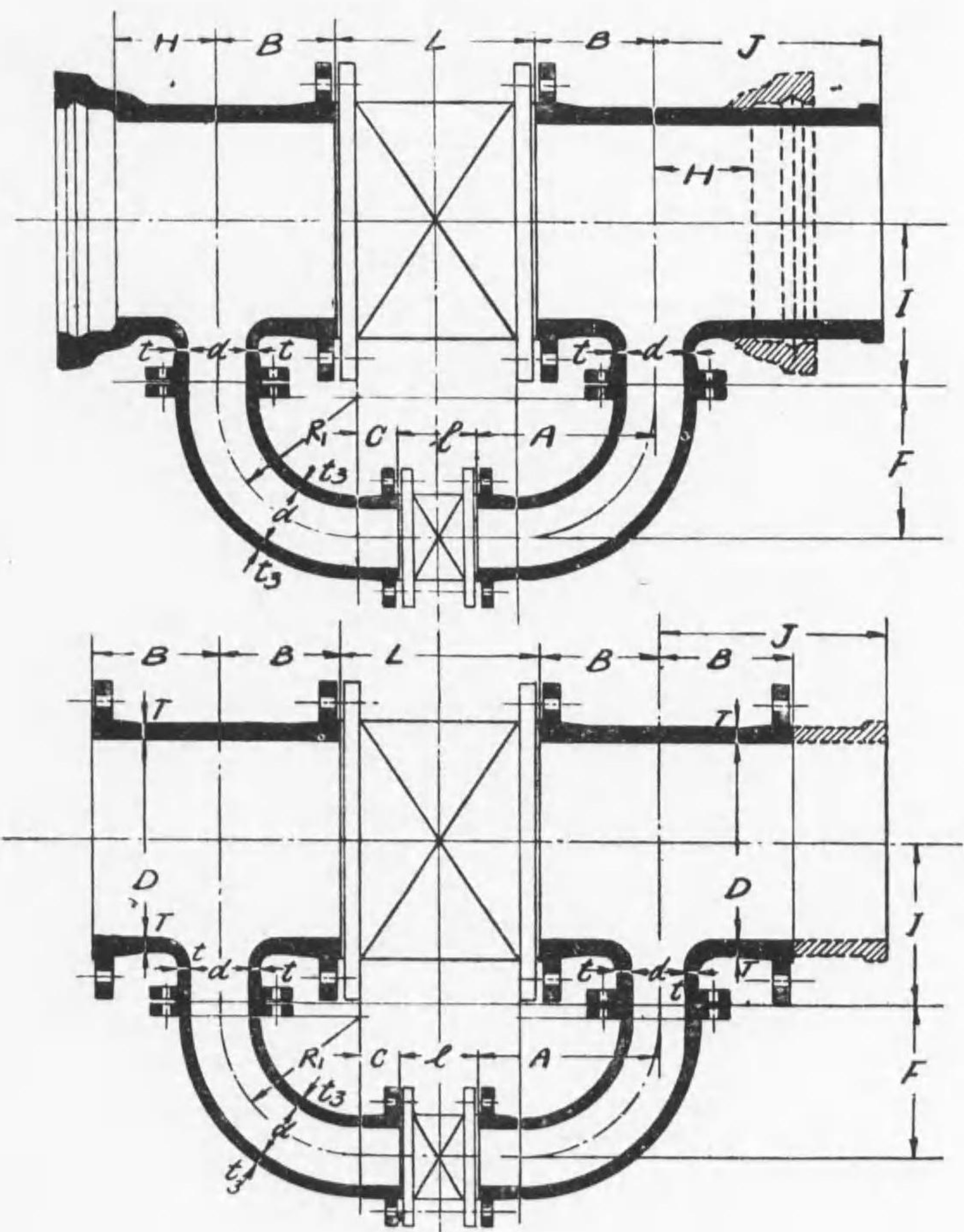
公稱 内徑 D	D ₅	D ₄	D ₃	M	寸 法			K	L	重 量 kg	公稱 内徑 D
					突 緣	ニ d	ニ d'				
75	211	168	125	3	16.0	19.0	4	21	240	45	75
100	238	195	152	"	"	"	"	22	250	55	100
125	263	220	177	"	"	"	6	"	260	75	125
150	290	247	204	"	"	"	"	23	280	100	150
200	342	299	256	"	"	"	8	24	300	160	200
250	410	360	308	"	19.0	22.0	"	26	380	250	250
300	464	414	362	4	"	"	10	27	400	340	300
350	530	472	414	"	22.0	25.0	"	28	430	450	350
400	582	524	466	"	"	"	12	30	470	550	400
450	652	585	518	"	25.5	28.5	"	31	500	760	450
500	706	639	572	"	"	"	"	32	530	980	500
600	810	743	676	"	"	"	16	35	560	1500	600
700	928	854	780	"	29.0	31.5	"	38	610	2000	700
800	1034	960	886	5	"	"	20	41	690	2800	800
900	1156	1073	990	"	32.0	35.0	"	44	740	3600	900
1000	1262	1179	1096	"	"	"	24	46	770	4500	1000
1100	1366	1283	1200	"	"	"	"	49	800	5400	1100
1200	1470	1387	1304	"	"	"	28	52	890	7000	1200
1350	1642	1552	1462	6	35.0	38.0	"	56	850	1350
1500	1800	1710	1620	"	"	"	32	60	900	1500



※制水瓣ノ重量ハ標準重量ニ非テ單ニ本表使用者ノ便チ圖リ參考トシテ附記ス

制水瓣副管

(普通壓及低壓用)



制水瓣副管 (甲、乙、丙、丁管)

$$H = F + \frac{D}{10} + R + \frac{d}{2} + 30 \text{ 耗}$$

$$A = R_1 + C$$

$$B = L_2 + M + K + \frac{D}{10} + R_1 + \frac{d}{2}$$

$$C = (B + \frac{d}{2}) - (R_1 + \frac{d}{2})$$

$$F = m + k + R_1$$

$$I = l_2 + m + k + \frac{d}{10} + R + \frac{D}{2}$$

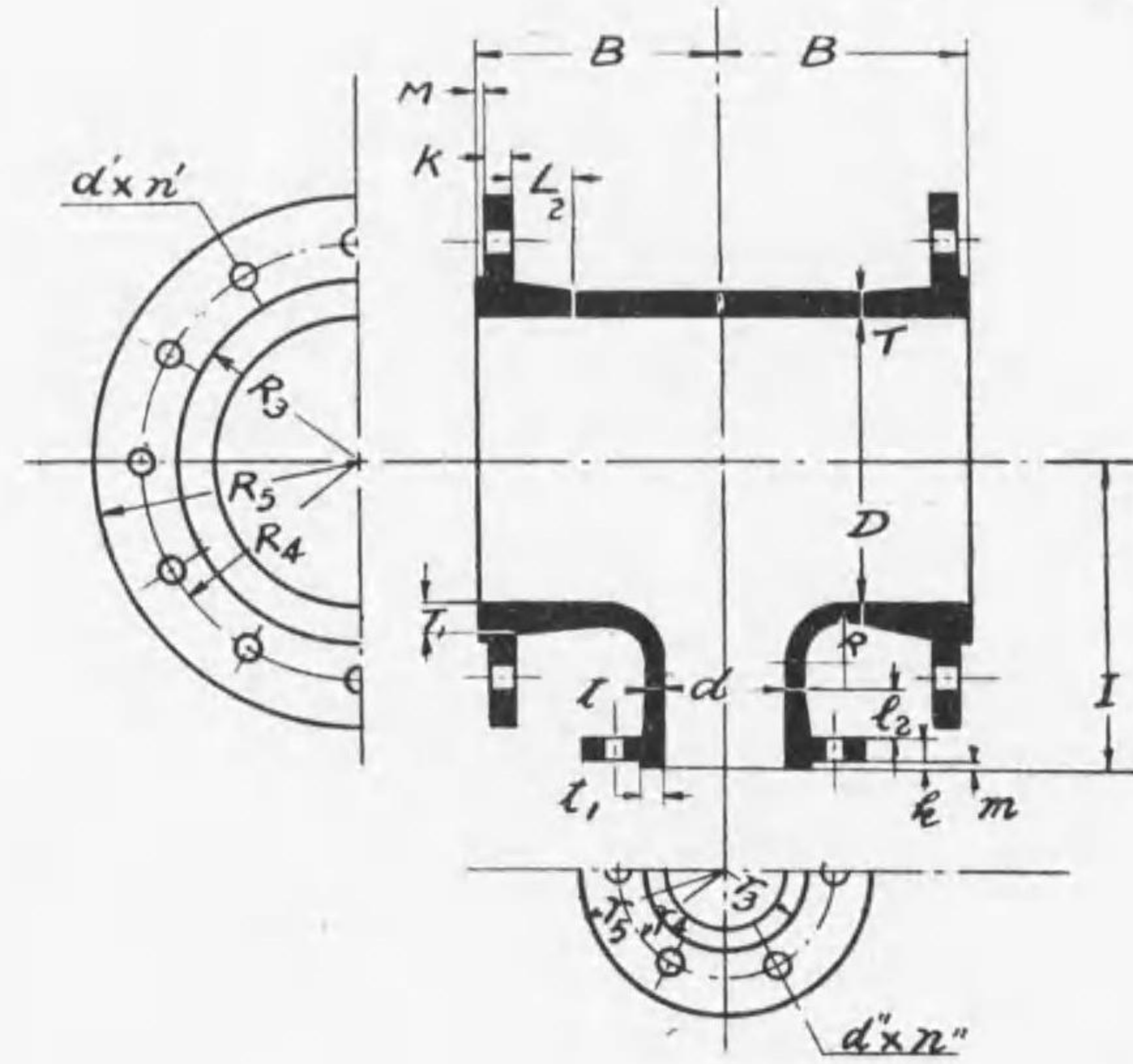
$$J = P + \frac{d}{2} + 800 \text{ 耗}$$

(普通壓及低壓用)

第十五號第一表

公稱內徑	管				各部尺寸									
	D	d	T	t	t ₃	A	B	C	F	H	I	J	L	l
400	100	19.0	16.0	11.8	445	335	45	425	270	395	760	470	250	400
450	"	20.2	"	"	465	340	65	"	"	420	770	500	"	"
500	"	21.5	"	"	485	345	85	"	280	445	530	530	"	"
600	125	23.9	"	12.4	510	360	110	"	330	550	735	560	260	"
700	150	26.3	17.0	13.0	585	420	185	426	350	571	800	610	280	"
800	"	28.7	"	"	615	450	215	"	370	621	810	690	"	"
900	200	31.1	18.0	14.2	690	470	290	427	420	657	840	740	300	"
1000	"	33.6	"	"	715	480	315	"	435	737	"	770	"	"
1200	"	36.0	"	"	755	505	355	"	450	797	845	800	"	"
1200	250	38.4	19.0	15.4	760	540	360	429	495	854	875	820	380	"
1350	"	42.0	"	"	815	580	415	"	515	929	885	850	"	"
1500	300	45.7	20.0	16.6	885	635	485	431	570	1041	915	900	400	"

制水瓣



第十五號

公稱内徑		管 厚		R	管 長				本 管 突 緣				
D	d	T	t		B	I	L ₂	l ₂	T ₁	K	M	R ₁	R ₂
400	100	19.0	16.0	60	335	395	120	100	25.0	30	4	291	262.0
450	"	20.2	"	"	340	420	"	"	26.2	31	"	326	292.5
500	"	21.5	"	"	345	445	"	"	27.5	32	"	353	319.5
600	125	23.9	"	80	360	550	"	"	29.9	35	"	405	371.5
700	150	26.3	17.0	"	420	571	"	"	32.3	38	"	464	427.0
800	"	28.7	"	"	450	621	140	"	35.7	41	5	517	480.0
900	200	31.1	18.0	90	470	687	"	"	38.1	44	"	578	536.5
1000	"	33.6	"	"	480	737	"	"	40.6	46	"	631	589.5
1100	"	36.0	"	100	505	797	"	"	43.0	49	"	683	641.5
1200	250	38.4	19.0	"	540	854	"	"	45.4	52	"	735	693.5
1350	"	42.0	"	"	580	929	160	"	50.0	56	6	821	776.0
1500	300	45.7	20.0	110	635	1041	"	120	53.7	60	"	900	855.0

副管 甲

(普通壓及低壓用)

$$B = L_2 + M + K + \frac{D}{10} + R + \frac{t}{2}$$

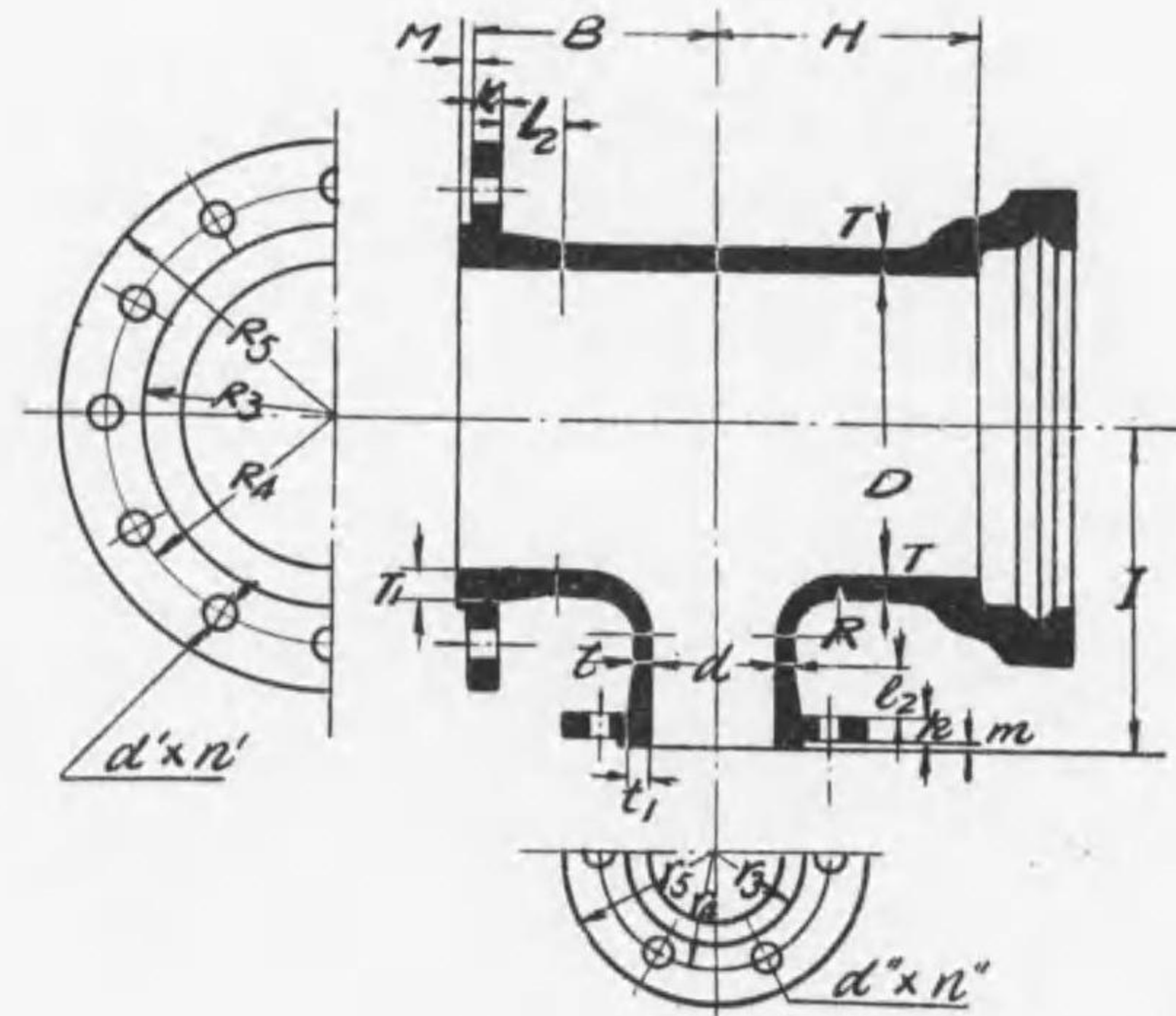
$$I = l_2 + m + k + \frac{d}{10} + R + \frac{D}{2}$$

(突緣ノ寸法ハ直管ニ同シ)

第二表

R ₂	(D)		枝 管 突 緣 (d)							重 量 kg	公稱内徑		
	ホ-ルト孔 d'	n'	t ₁	k	m	r ₁	r ₂	r ₃	ホ-ルト孔 d''		n''	D	d
233	25.0	12	21.0	22	3	119.0	97.0	76.0	19	4	205.0	400	100
259	28.5	"	"	"	"	"	"	"	"	"	248.0	450	"
286	"	"	"	"	"	"	"	"	"	"	290.0	500	"
338	"	16	"	"	3	131.5	110.0	88.5	19	6	388.0	600	125
390	31.5	"	22.0	23	3	145.0	123.5	102.0	"	"	557.0	700	150
443	"	20	"	"	"	"	"	"	"	"	725.0	800	"
495	35.0	"	23.0	24	3	171.0	149.5	128.0	19	8	926.0	900	200
548	"	24	"	"	"	"	"	"	"	"	1160.0	1000	"
600	"	"	"	"	"	"	"	"	"	"	1350.0	1100	"
652	"	28	25.0	26	3	205.0	180.0	154.0	22	8	1640.0	1200	250
731	38.0	"	"	"	"	"	"	"	"	"	2160.0	1350	"
810	"	32	26.0	27	4	232.0	207.0	181.0	"	10	2780.0	1500	300

制 水 瓣



第 十 五 號

公稱內徑 D	管 厚 d	T	t	R	管 長					本 管 突				
					B	I	H	L ₂	t ₂	T ₁	K	M	R ₅	R ₄
400	100	19.0	16.0	60	335	395	270	120	100	25.0	30	4	291.0	262.0
450	"	20.2	"	"	340	420	"	"	"	26.2	31	"	326.0	292.5
500	"	21.5	"	"	345	445	280	"	"	27.5	32	"	353.0	319.5
600	125	23.9	"	"	360	550	"	"	"	29.9	35	"	405.0	371.5
700	150	26.3	17.0	80	420	571	350	"	"	32.3	38	"	464.0	427.0
800	"	28.7	"	"	450	621	370	140	"	35.7	41	5	517.0	480.0
900	200	31.1	18.0	90	470	687	420	"	"	38.1	44	"	578.0	536.5
1000	"	33.6	"	"	480	737	435	"	"	40.6	46	"	631.0	589.5
1100	"	36.0	"	100	505	797	450	"	"	43.0	49	"	683.0	641.5
1200	250	38.4	19.0	"	540	854	495	"	"	45.4	52	"	735.0	693.5
1530	"	42.0	"	"	580	929	515	160	"	50.0	56	6	821.0	776.0
1500	300	45.7	20.0	110	635	1041	570	"	120	53.7	60	"	900.0	855.0

副 管 乙

(普通壓及低壓用)

$$B = L_2 + M + K + \frac{D}{10} + R + \frac{d}{2}$$

$$I = L_2 + m + k + \frac{d}{10} + R + \frac{D}{2}$$

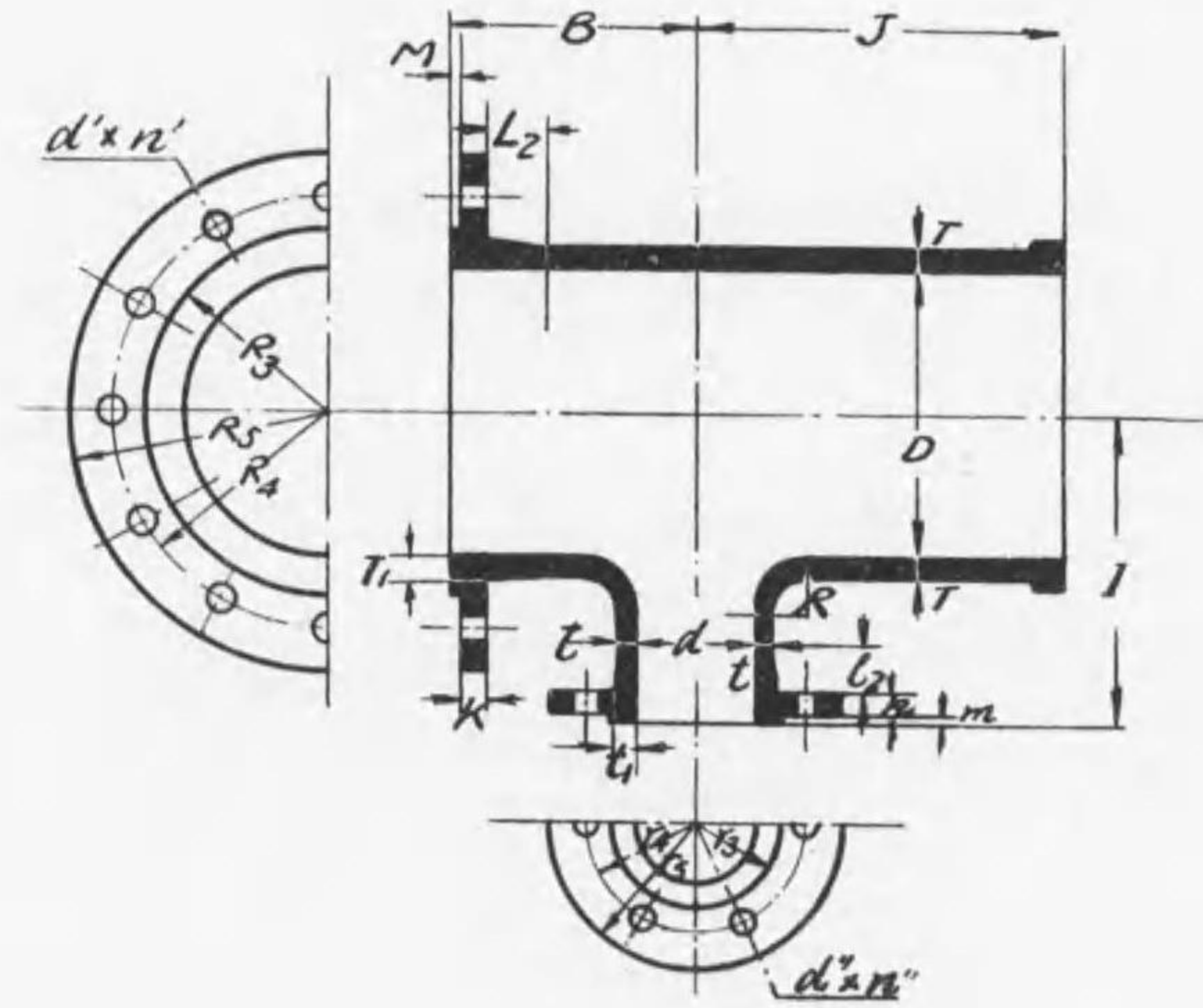
$$H = F + \frac{D}{10} + R + \frac{d}{2} + 30 \text{ 耗}$$

(突緣及承口ノ寸法ハ直管ニ同シ)

第 三 表

綠 (D)	枝 管 突 緣 (d)					重 量 斤	公稱內徑						
	R ₅	ボ-ルト孔 d'	n'	t ₁	k		m	r ₅	r ₁	r ₅	ボ-ルト孔 d''	n''	D
233.0	25.0	12	21.0	22	3	119.0	97.5	76.0	19.0	4	210.0	400	100
259.0	28.5	"	"	"	"	"	"	"	"	"	251.0	450	"
286.0	"	"	"	"	"	"	"	"	"	"	295.0	500	"
338.0	"	16	"	"	"	131.5	110.0	88.5	"	6	391.0	600	125
390.0	31.5	"	22.0	23	"	145.0	123.5	102.0	"	"	563.0	700	150
443.0	"	20	"	"	"	"	"	"	"	"	727.0	800	"
495.0	35.0	"	23.0	24	"	171.0	149.5	128.0	"	8	950.0	900	200
548.0	"	24	"	"	"	"	"	"	"	"	1150.0	1000	"
600.0	"	"	"	"	"	"	"	"	"	"	1390.0	1100	"
652.0	"	28	24.0	26	"	205.0	180.0	154.0	22.0	"	1710.0	1200	250
731.0	38.0	"	"	"	"	"	"	"	"	"	2200.0	1350	"
810.0	"	32	26.0	27	4	232.0	207.0	181.0	"	10	2840.0	1500	300

制水瓣



第十五號

公稱内徑		管 厚		R	管 長					本 管 突				
D	d	T	t		B	I	J	L ₂	l ₂	T ₁	K	M	R ₃	R ₄
400	100	19.0	16.0	60	335	395	760	120	100	25.0	30	4	291.0	262.0
450	"	20.2	"	"	340	420	770	"	"	26.2	31	"	326.0	292.5
500	"	21.5	"	"	345	445	"	"	"	27.5	32	"	353.0	319.5
600	125	23.9	"	"	360	550	785	"	"	29.9	35	"	405.0	371.5
700	150	26.3	17.0	80	420	571	800	"	"	32.3	38	"	464.0	427.0
800	"	28.7	"	"	450	621	810	140	"	35.7	41	5	517.0	480.0
900	200	31.1	18.0	90	470	687	840	"	"	38.1	44	"	578.0	536.5
1000	"	33.6	"	"	480	737	"	"	"	40.6	46	"	631.0	589.5
1100	"	36.0	"	100	505	797	845	"	"	43.0	49	"	683.0	641.5
1200	250	38.4	19.0	"	540	854	875	"	"	45.4	52	"	735.0	693.5
1350	"	42.0	"	"	580	929	885	160	"	50.0	56	6	821.0	776.0
1500	300	45.7	20.0	110	635	1041	915	"	120	53.7	60	"	900.0	855.0

副 管 丙

(普通壓及低壓用)

$$B = L_2 + M + K + \frac{D}{10} + R + \frac{d}{2}$$

$$I = l_2 + m + k + \frac{d}{10} + R + \frac{D}{2}$$

$$J = P + \frac{d}{2} + 600 \text{ 珞}$$

(突縁及挿口ノ寸法ハ直管ニ同シ)

第 四 表

縁 (D)			枝 管 突 縁 (d)							重 量 珞	公稱内徑		
R ₃	ボルト孔 d'	n'	t ₁	k	m	r ₂	r ₁	r ₃	ボルト孔 d' n'		D	d	
233.0	25.0	12	21.0	22	3	119.0	97.5	76.0	19.0	4	246.0	400	100
259.0	23.5	"	"	"	"	"	"	"	"	"	296.0	450	"
286.0	"	"	"	"	"	"	"	"	"	"	347.0	500	"
338.0	"	16	"	"	"	131.5	110.0	88.5	"	6	463.0	600	125
390.0	31.5	"	22.0	23	"	145.0	123.5	102.0	"	"	634.0	700	150
443.0	"	20	"	"	"	"	"	"	"	"	807.0	800	"
495.0	35.0	"	23.0	24	"	171.0	149.5	128.0	"	8	1020.0	900	200
548.0	"	24	"	"	"	"	"	"	"	"	1230.0	1000	"
600.0	"	"	"	"	"	"	"	"	"	"	1460.0	1100	"
652.0	"	28	24.0	26	"	205.0	180.0	154.0	22.0	"	1780.0	1200	250
731.0	38.0	"	"	"	"	"	"	"	"	"	2260.0	1350	"
810.0	"	32	26.0	27	4	232.0	207.0	181.0	"	10	2850.0	1500	300

制水瓣副管丁

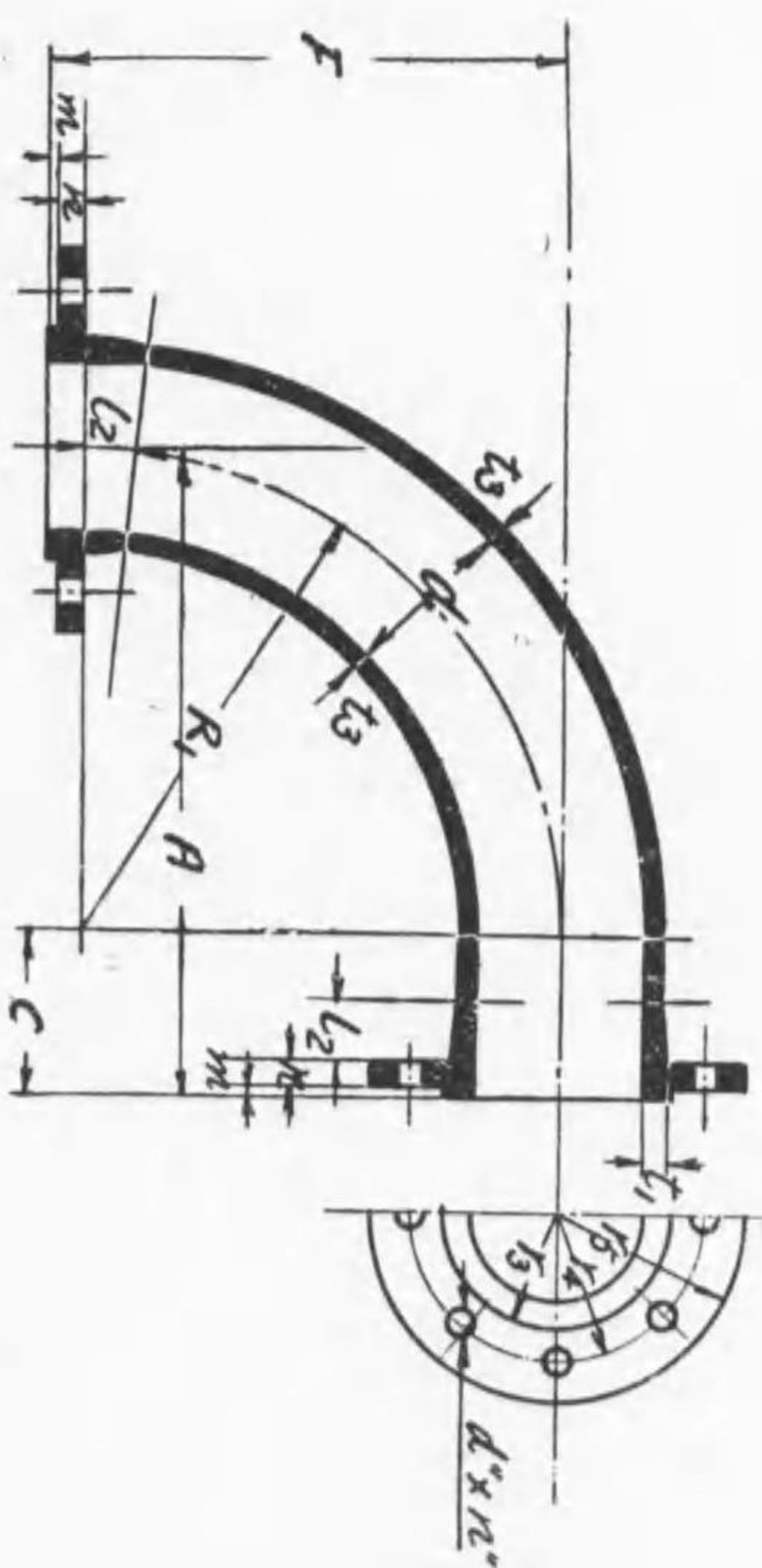
(普通壓及低壓用)

$$F = R_1 + k + m.$$

$$C = CB + \frac{L}{2} - (R_1 + \frac{L}{2})$$

$$A = R_1 + C.$$

(突縁ノ寸法ハ直管ニ同シ)

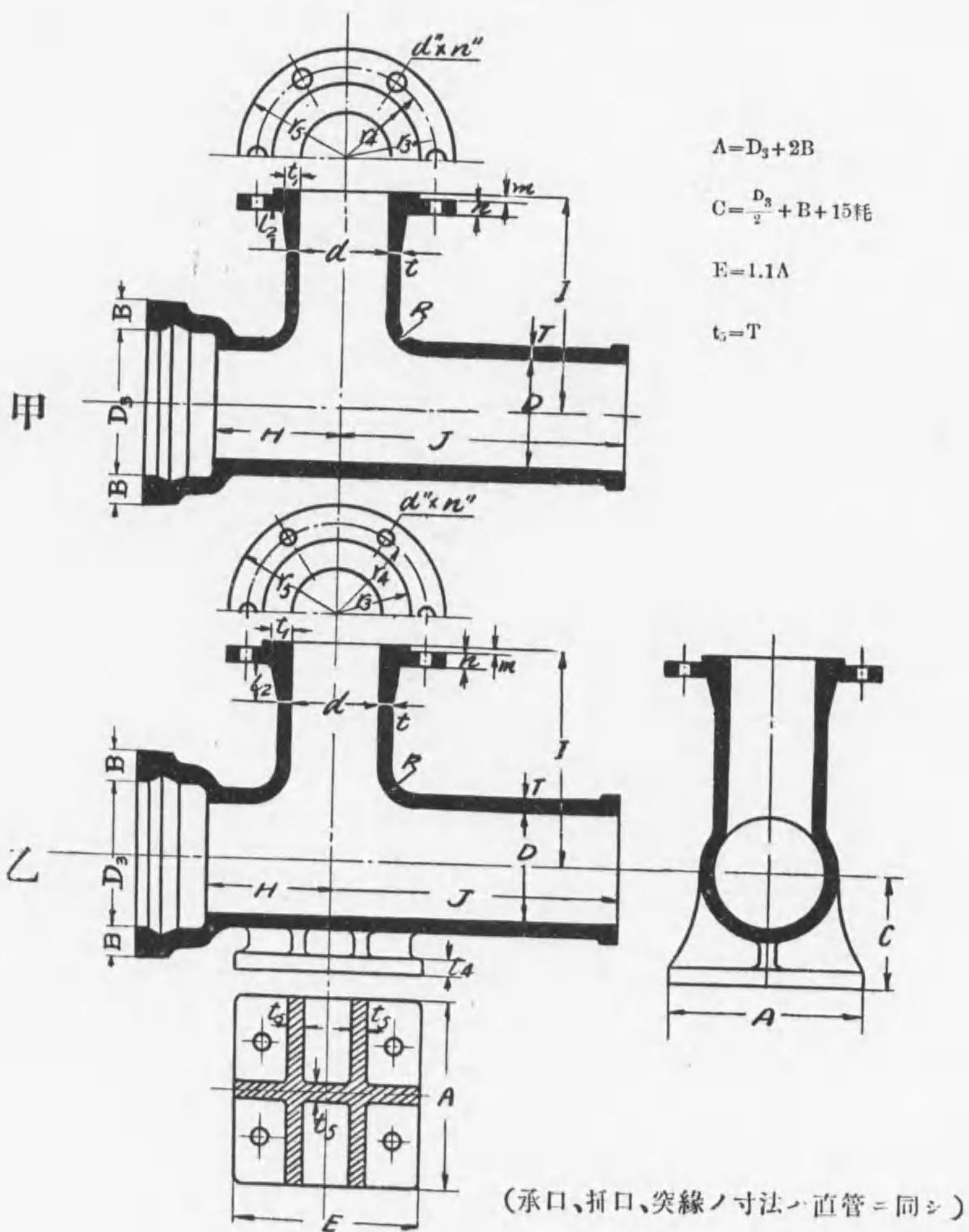


(第十五號 第五表)

公稱内徑	管厚	R ₁	管長										突縁	突縁			法	重量
			F	C	A	l ₁	t ₁	k	m	t ₂	t ₁	t ₃		並-ワ-ト孔	並-ワ-ト孔	重量		
400	100	400	425	45	445	100	16.8	22	∞	119.0	97.5	76.0	19	4	40.3			
450	"	"	"	65	465	"	"	"	"	"	"	"	"	"	41.1			
500	"	"	"	85	485	"	"	"	"	131.5	110.0	88.5	"	6	41.9			
600	125	"	425	110	510	"	17.4	"	"	145.0	123.5	102.0	"	8	51.9			
700	150	"	426	185	585	"	18.0	23	"	171.0	149.5	128.0	"	8	68.9			
800	"	"	"	215	615	"	"	"	"	"	"	"	"	"	70.7			
900	200	"	427	290	690	"	19.2	24	"	"	"	"	"	8	99.0			
1000	"	"	"	315	715	"	"	"	"	"	"	"	"	"	101.0			
1100	"	"	"	355	755	"	"	"	"	"	"	"	"	"	104.0			
1200	250	"	429	380	780	"	20.4	25	"	205.0	180.0	154.0	22	"	135.0			
1350	"	"	"	415	815	"	"	26	"	"	"	"	"	"	141.0			
1500	300	"	431	485	885	150	22.6	27	4	232.0	207.0	181.0	"	10	180.0			

消火栓用管甲及乙

(普通壓及低壓用)



(承口、扣口、突縁ノ寸法ハ直管ニ同シ)

消 火 栓 用 第 十 六 號

公稱內徑		管 厚			R	管 長				枝 管		
D	d	T	t	t ₁		H	I	J	l ₂	k	m	r ₃
75	75	11.2	11.2	10.2	50	200	250	730	100	21	3	105.5
		"	"	"	"	"	300	"	"	"	"	"
		"	"	"	"	"	500	"	"	"	"	"
100	75	11.8	11.8	10.8	50	200	250	730	100	21	3	105.5
		"	"	"	"	"	300	"	"	"	"	"
		"	"	"	"	"	500	"	"	"	"	"
125	75	12.4	12.4	17.4	50	210	230	730	100	21	3	105.5
		"	"	"	"	"	330	"	"	"	"	"
		"	"	"	"	"	530	"	"	"	"	"
150	75	13.0	13.0	18.0	50	210	230	740	100	21	3	105.5
		"	"	"	"	"	330	"	"	"	"	"
		"	"	"	"	"	530	"	"	"	"	"
200	75	14.2	14.2	19.2	50	220	300	750	100	21	3	105.5
		"	"	"	"	"	350	"	"	"	"	"
		"	"	"	"	"	550	"	"	"	"	"
250	75	15.4	15.0	20.0	50	220	330	750	100	21	3	105.5
		"	"	"	"	"	380	"	"	"	"	"
		"	"	"	"	"	580	"	"	"	"	"
300	75	16.6	15.0	21.0	50	240	350	750	100	21	3	105.5
		"	"	"	"	"	400	"	"	"	"	"
		"	"	"	"	"	600	"	"	"	"	"
350	75	17.8	15.0	21.0	60	240	380	750	100	21	3	105.5
		"	"	"	"	"	430	"	"	"	"	"
		"	"	"	"	"	630	"	"	"	"	"
400	75	19.0	15.0	21.0	60	250	400	750	100	21	3	105.5
		"	"	"	"	"	450	"	"	"	"	"
		"	"	"	"	"	650	"	"	"	"	"

管 甲 及 乙

第 一 表 (其ノ一)

突 緣 寸 法				重 量 斤	壑 寸 法 及 重 量					
r ₁	r ₂	ホ-ルト孔 d'' n''			t ₁	t ₂	A	E	C	斤
84.0	62.5	19	4	37.6	16.0	11.2	176	195	105	5.35
"	"	"	"	38.7	"	"	"	"	"	"
"	"	"	"	43.0	"	"	"	"	"	"
84.0	62.5	19	4	47.3	16.0	11.8	200	220	115	6.68
"	"	"	"	48.4	"	"	"	"	"	"
"	"	"	"	52.9	"	"	"	"	"	"
84.0	62.5	19	4	57.5	18.0	12.4	230	255	130	9.94
"	"	"	"	58.3	"	"	"	"	"	"
"	"	"	"	63.4	"	"	"	"	"	"
84.0	62.5	19	4	71.4	18.0	13.0	262	288	146	13.30
"	"	"	"	72.8	"	"	"	"	"	"
"	"	"	"	78.4	"	"	"	"	"	"
84.0	62.5	19	4	97.3	20.0	14.2	318	350	174	21.90
"	"	"	"	98.8	"	"	"	"	"	"
"	"	"	"	105.0	"	"	"	"	"	"
84.0	62.5	19	4	129.0	20.0	15.4	376	414	205	32.90
"	"	"	"	130.0	"	"	"	"	"	"
"	"	"	"	137.0	"	"	"	"	"	"
84.0	62.5	19	4	162.0	22.0	16.6	432	475	230	41.90
"	"	"	"	164.0	"	"	"	"	"	"
"	"	"	"	170.0	"	"	"	"	"	"
84.0	62.5	19	4	199.0	24.0	17.8	488	537	260	67.90
"	"	"	"	201.0	"	"	"	"	"	"
"	"	"	"	207.0	"	"	"	"	"	"
84.0	62.5	19	4	244.0	26.0	19.0	547	610	290	82.70
"	"	"	"	245.0	"	"	"	"	"	"
"	"	"	"	252.0	"	"	"	"	"	"

消 火 栓 用

(其ノ)

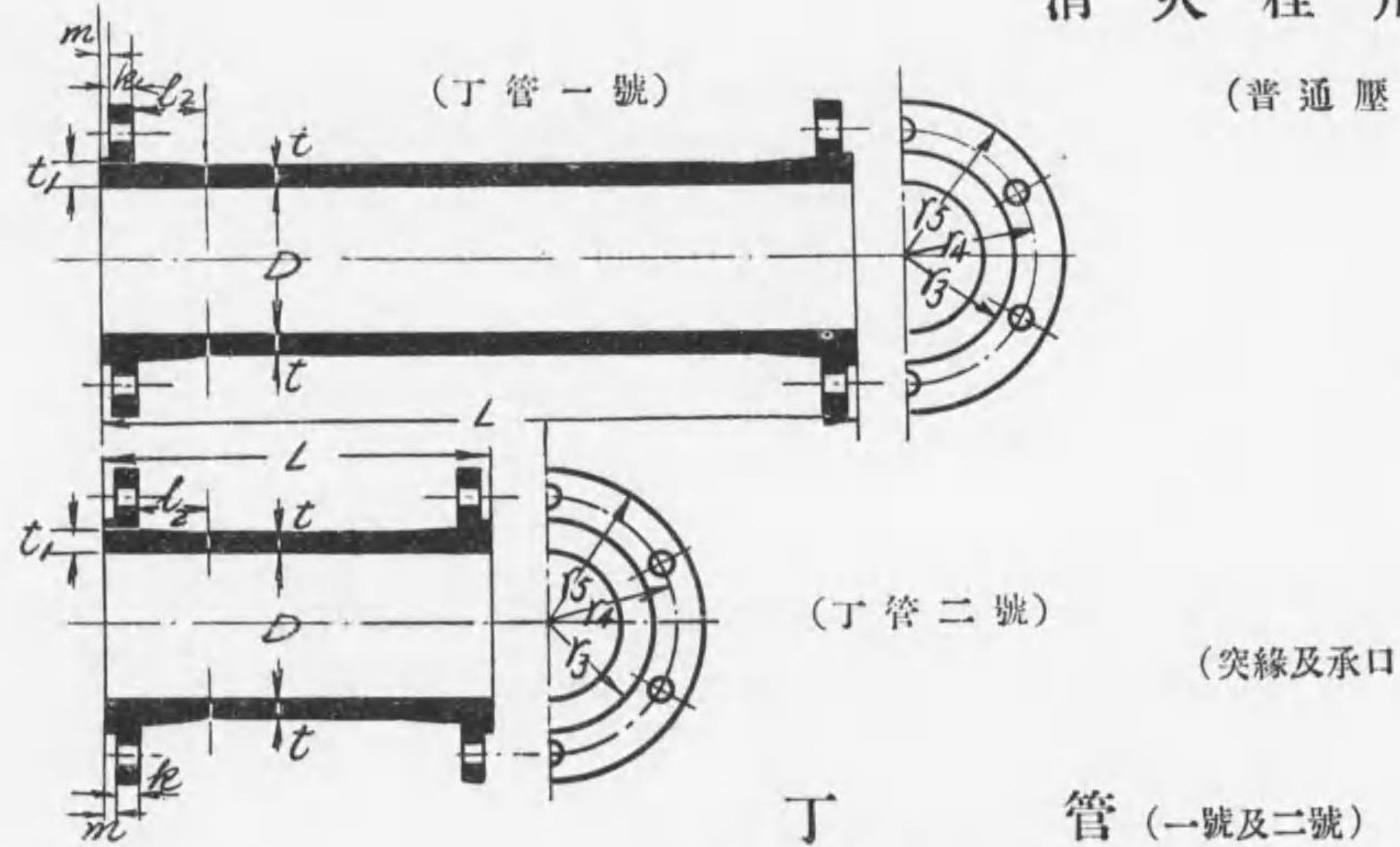
公稱内徑		管 厚			R	管 長					枝 管	
D	d	T	t	t ₁		H	I	J	l ₂	k	m	r ₂
100	100	11.8	11.8	16.8	50	210	250	750	100	22	3	119.0
		"	"	"	"	"	306	"	"	"	"	"
		"	"	"	"	"	500	"	"	"	"	"
125	100	12.4	12.4	17.4	50	220	250	750	100	23	3	119.0
		"	"	"	"	"	300	"	"	"	"	"
		"	"	"	"	"	500	"	"	"	"	"
150	100	13.0	13.0	18.0	50	220	280	750	100	22	3	119.0
		"	"	"	"	"	330	"	"	"	"	"
		"	"	"	"	"	530	"	"	"	"	"
200	100	14.2	14.2	19.2	50	230	300	750	100	22	3	119.0
		"	"	"	"	"	350	"	"	"	"	"
		"	"	"	"	"	550	"	"	"	"	"
250	100	15.4	15.4	20.4	50	240	330	760	100	23	3	119.0
		"	"	"	"	"	380	"	"	"	"	"
		"	"	"	"	"	580	"	"	"	"	"
300	100	16.6	16.0	22.0	50	240	350	760	100	22	3	119.0
		"	"	"	"	"	400	"	"	"	"	"
		"	"	"	"	"	600	"	"	"	"	"
350	100	17.8	16.0	22.0	60	260	380	760	100	22	3	119.0
		"	"	"	"	"	430	"	"	"	"	"
		"	"	"	"	"	630	"	"	"	"	"
400	100	19.0	16.0	22.0	60	270	400	760	100	22	3	119.0
		"	"	"	"	"	450	"	"	"	"	"
		"	"	"	"	"	650	"	"	"	"	"

管 甲 及 乙

二)

突 緣 寸 法				重 量 庇	管 寸 法 及 重 量					
r ₁	r ₂	ボ ー ル ト 孔 d'' n''			t ₁	t ₂	A	E	C	庇
97.5	76.0	19	4	40.9	16.0	11.8	200	220	115	6.68
"	"	"	"	42.3	"	"	"	"	"	"
"	"	"	"	43.2	"	"	"	"	"	"
97.5	76.0	19	4	61.2	18.0	12.4	230	255	130	9.94
"	"	"	"	62.8	"	"	"	"	"	"
"	"	"	"	63.9	"	"	"	"	"	"
97.5	76.0	19	4	74.2	13.0	13.0	262	288	146	13.30
"	"	"	"	75.8	"	"	"	"	"	"
"	"	"	"	82.2	"	"	"	"	"	"
97.5	76.0	19	4	101.0	20.0	14.2	313	350	174	21.80
"	"	"	"	102.0	"	"	"	"	"	"
"	"	"	"	109.0	"	"	"	"	"	"
97.5	76.0	19	4	134.0	20.0	15.4	373	414	205	32.90
"	"	"	"	135.0	"	"	"	"	"	"
"	"	"	"	143.0	"	"	"	"	"	"
97.5	76.0	19	4	165.0	22.0	16.6	432	475	230	41.90
"	"	"	"	167.0	"	"	"	"	"	"
"	"	"	"	175.0	"	"	"	"	"	"
97.5	76.0	19	4	206.0	24.0	17.8	488	537	260	67.90
"	"	"	"	207.0	"	"	"	"	"	"
"	"	"	"	215.0	"	"	"	"	"	"
97.5	76.0	19	4	251.0	26.0	19.0	547	610	290	82.70
"	"	"	"	253.0	"	"	"	"	"	"
"	"	"	"	261.0	"	"	"	"	"	"

消火栓用



丁管 (一號及二號)
第十六號第三表

公稱內徑 D	管 厚		管 長		突 緣 寸 法					ボ ー ル ト 孔	
	t	t ₁	L	l ₂	k	m	r ₃	r ₄	r ₅	d''	n''
75	11.2	16.2	150	100	21	3	105.5	84.0	62.5	19	4
	"	"	300	"	"	"	"	"	"	"	"
100	11.8	16.8	150	"	22	"	119.0	97.5	76.0	"	"
	"	"	300	"	"	"	"	"	"	"	"

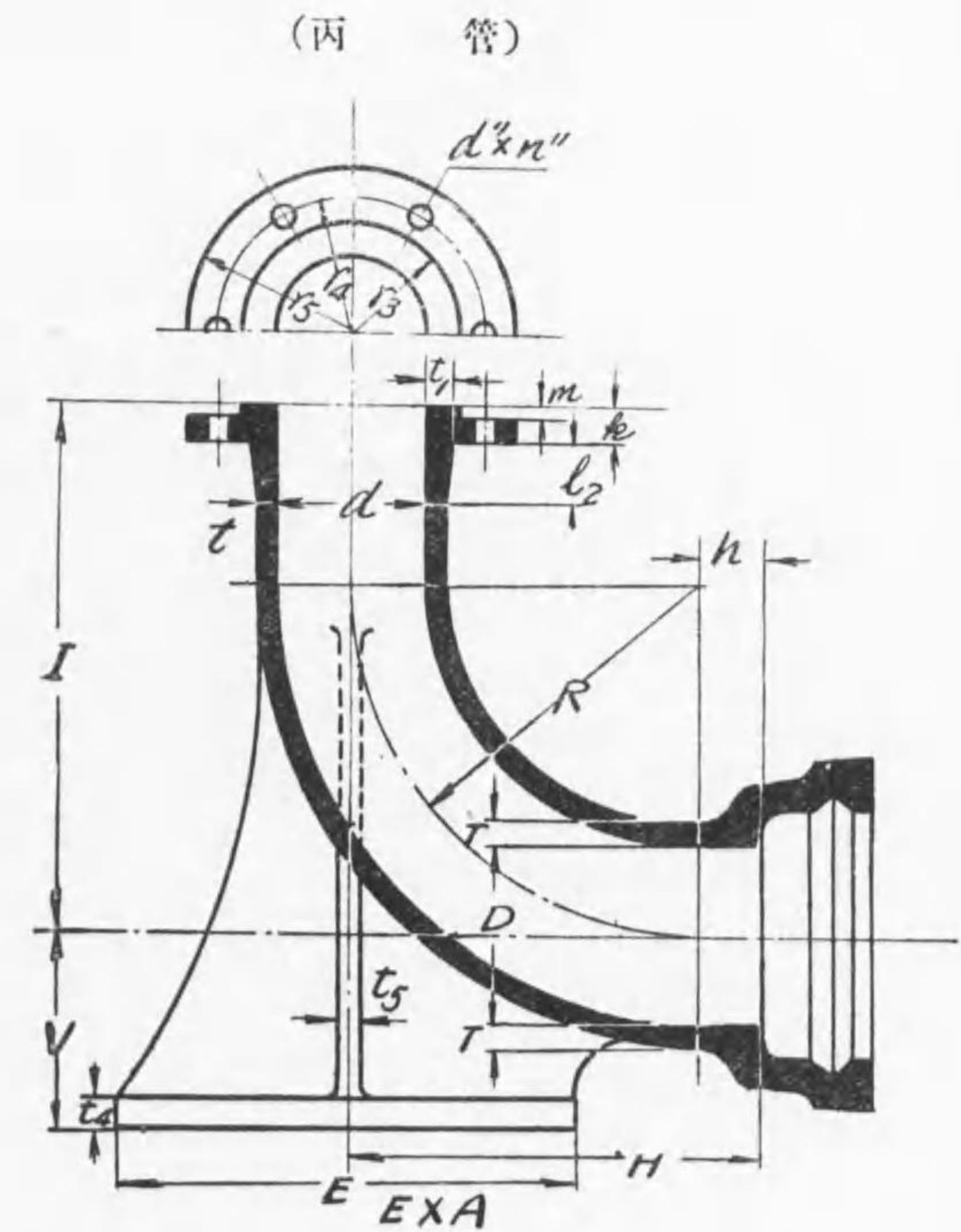
丙
第十六號

公稱內徑 D	d	管 厚			突 緣 寸 法					ボ ー ル ト 孔	
		T	t	t ₁	k	m	r ₃	r ₄	r ₅	d''	n''
75	75	11.2	11.2	16.2	21	3	105.5	84.0	62.5	19	4
100	"	11.8	"	"	"	"	"	"	"	"	"
"	100	"	11.8	16.8	22	"	119.0	97.5	76.0	"	"

管 丙 丁

及低壓用)

ノ寸法ハ直管=同シ)



重 量 庇	種 別
15.0	二 號
18.2	一 號
19.1	二 號
23.4	一 號

管

第二表

R	各 部 ノ 寸 法					重 量 庇	寸 法 及 重 量			
	l ₂	II	I	V	h		t ₁	E	A	重 量 庇
150	100	200	300	110	110	18.6	20	240	300	15.4
200	"	310	350	"	"	21.0	"	"	"	16.4
"	"	"	"	"	"	26.7	"	"	"	16.2

$$h = \frac{D}{10} + F$$

$$I = l_2 + m + k + R + \frac{D}{10}$$

$$t_5 = T$$

排氣瓣用丁字管

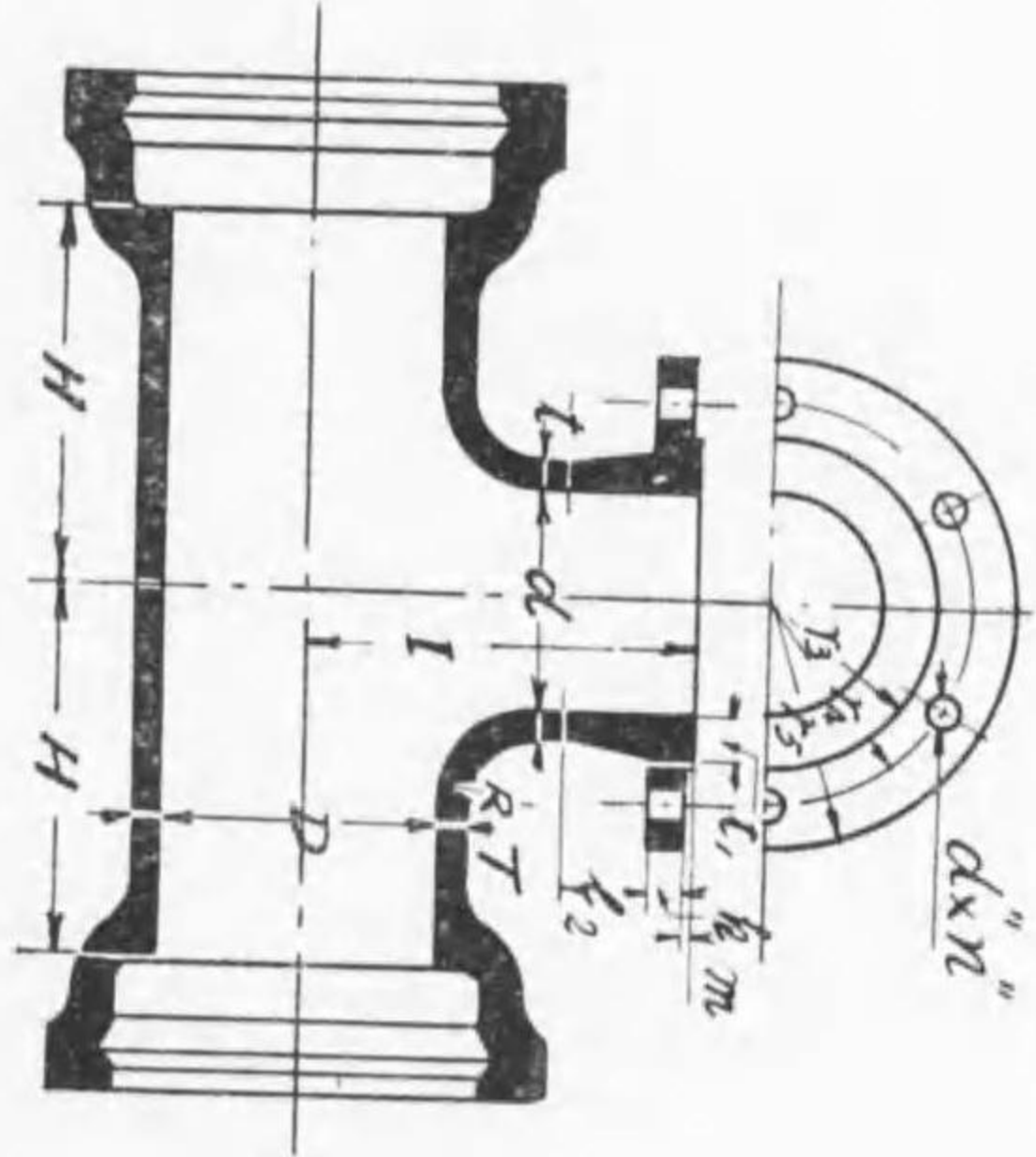
第十七號第一表

(普通壓及低壓用)

$$H = F + \frac{D}{10} + R + \frac{d}{2} + 30 \text{ 托}$$

$$I = l_2 + m + k + \frac{d}{10} + R + \frac{D}{2}$$

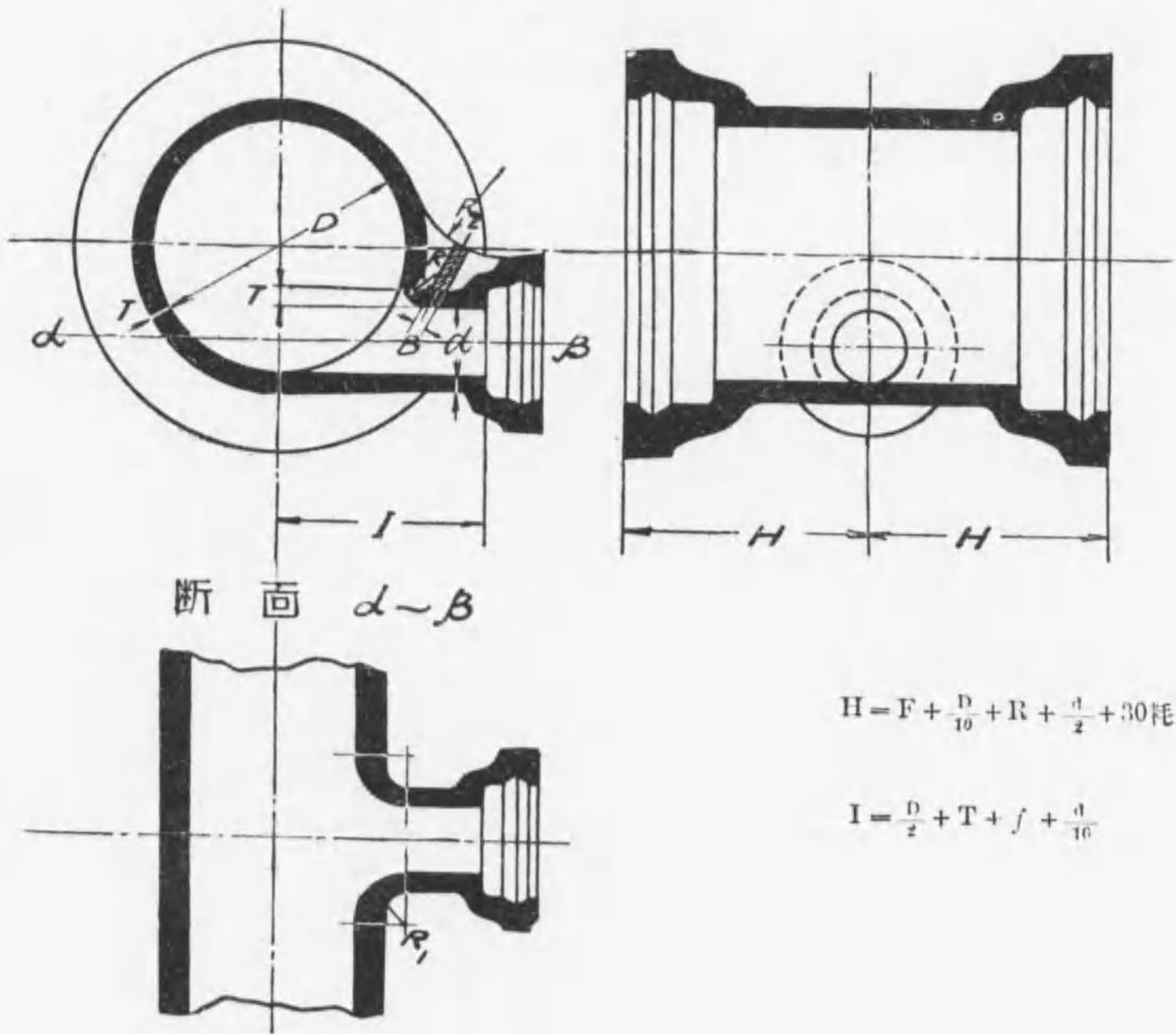
(突線及承口ノ寸法ハ直管ニ同シ)



公稱內徑	D	d	管厚		R	管長		突線			寸法			重量
			T	t		I	l ₂	k	m	r ₁	r ₂	r ₃	管口孔	
400	75	19.0	17.0	20.0	60	392	100	21	105.5	24.0	62.5	19	4	206.0
450	"	20.2	"	"	"	360	"	"	"	"	"	"	"	247.0
500	"	21.5	"	"	"	370	"	"	"	"	"	"	"	291.0
600	"	23.9	"	"	"	385	"	"	"	"	"	"	"	382.0
700	"	26.3	"	"	70	532	"	"	"	"	"	"	"	522.0
800	"	28.7	"	"	"	602	"	"	"	"	"	"	"	671.0
900	100	31.1	16.0	21.0	80	685	"	23	119.0	27.5	76.0	"	"	803.0
1000	"	33.6	"	"	"	715	"	"	"	"	"	"	"	1090.0
1100	"	36.0	"	"	90	805	"	"	"	"	"	"	"	1320.0
1200	"	38.4	"	"	"	825	"	"	"	"	"	"	"	1580.0
1350	"	42.0	"	"	100	860	"	"	"	"	"	"	"	2030.0
1500	150	45.7	17.0	22.0	"	990	"	23	145.0	22.5	102.0	"	6	2630.0

泥吐管

(普通壓及低壓用)



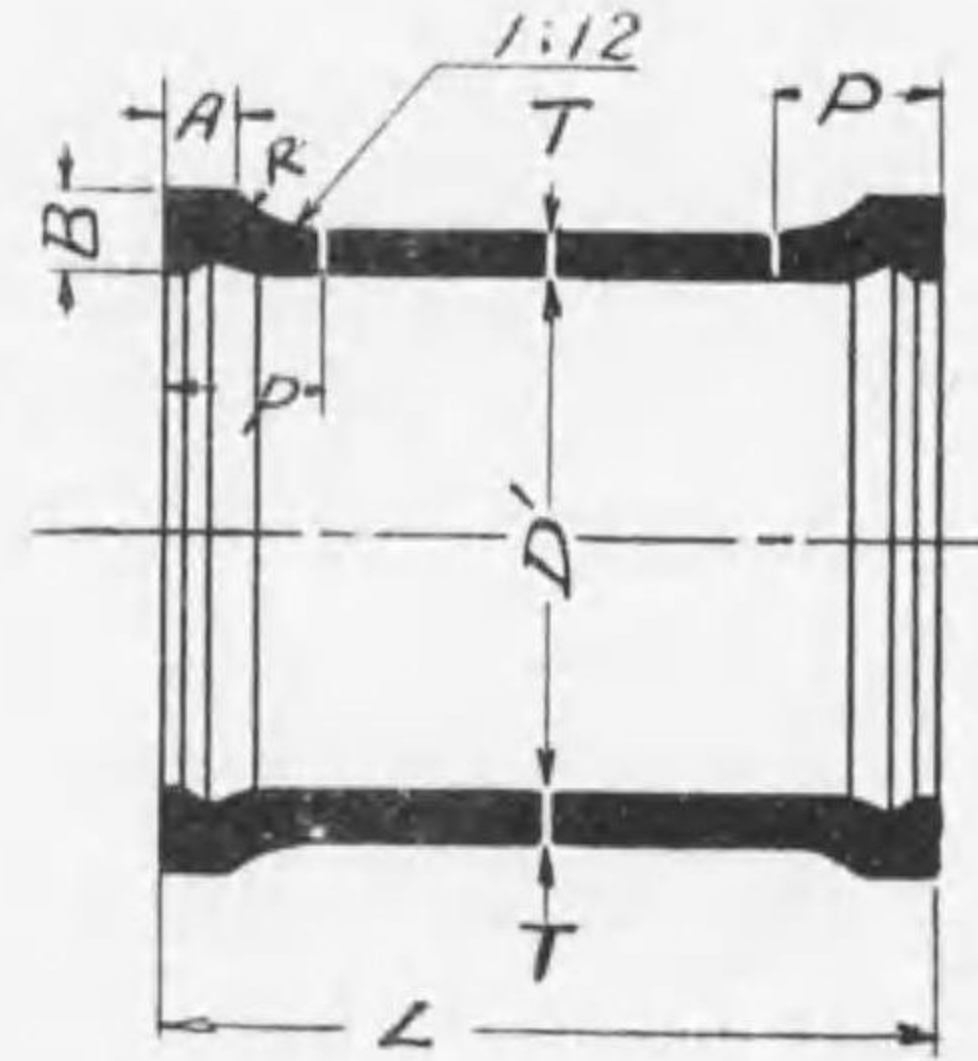
$$H = F + \frac{D}{10} + R + \frac{d}{2} + 30 \text{ 托}$$

$$I = \frac{D}{2} + T + f + \frac{d}{10}$$

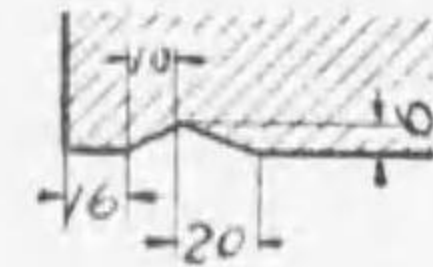
(承口ノ寸法ハ直管ニ同シ)

接ギ輪

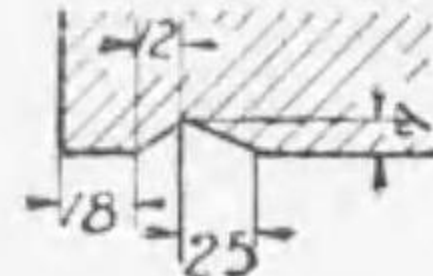
(普通壓及低壓用)



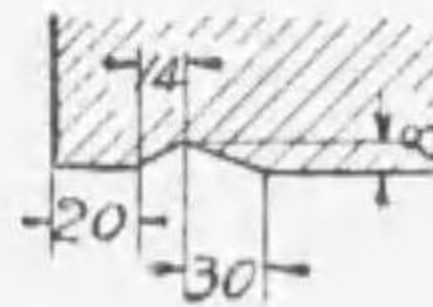
直徑 75 ~ 450



直徑 500 ~ 900



直徑 1,000 ~ 1,500



第十九號第一表

公稱内徑	接輪内徑	管厚	各部寸法					重量
D	D'	T	A	B	R	P	L	kg
75	115.4	15.0	35	30	15	90	300	17.5
100	141.4	16.0	..	31	16	95	..	22.3
125	167.6	32	26.3
150	193.6	17.0	..	34	17	100	..	33.7
200	245.8	18.0	40	36	18	43.2
250	299.0	19.0	..	38	19	105	..	55.2
300	351.2	20.0	..	40	20	..	350	76.0
350	403.4	21.0	..	42	21	110	..	91.7
400	456.6	23.0	45	45	23	114.0
450	508.8	24.0	..	47	24	115	..	133.0
500	563.0	25.0	..	49	25	152.0
600	667.0	27.0	50	53	27	120	400	213.0
700	771.8	29.0	..	58	29	125	..	273.0
800	876.2	31.0	55	62	31	130	..	339.0
900	980.6	34.0	..	67	34	135	..	415.0
1000	1087.0	36.0	60	71	36	140	450	533.0
1100	1191.4	38.0	..	74	38	145	..	620.0
1200	1295.8	40.0	65	77	40	150	..	717.0
1350	1452.4	43.0	70	80	43	160	500	938.0
1500	1609.0	47.0	75	83	47	165	..	1120.0

泥吐管

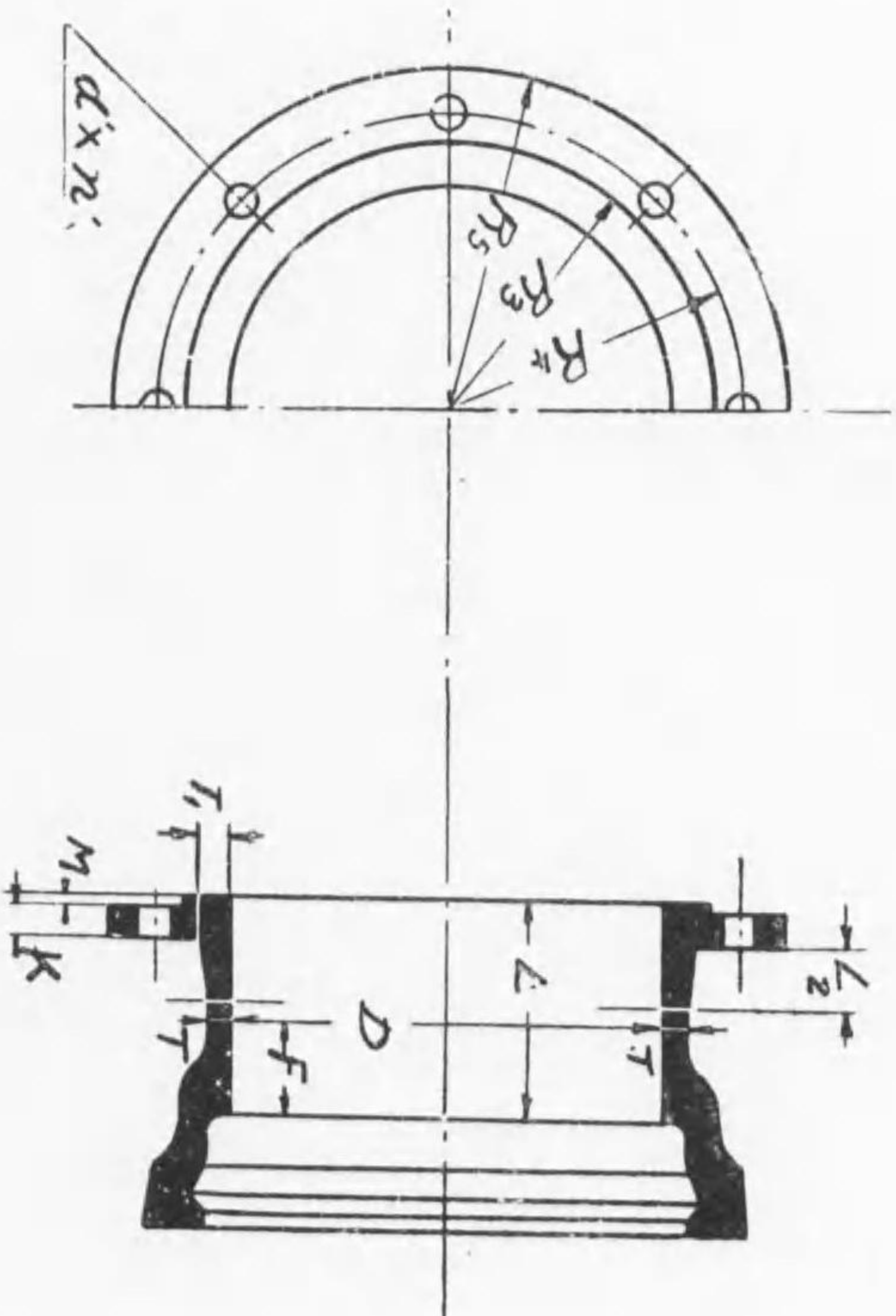
第十八號第一表

公稱内徑	管厚	曲部		管長		肋縁部		重量※	肋縁重量		
		D	d	T	t	R ₁	R			I	H
400	100	19.0	16.0	60	10	300	270	16.0	100	226.0	0.507
	150	17.0	17.0	310	300	17.0	..	249.0	0.457
500	150	21.5	17.0	70	..	365	280	17.0	100	325.0	0.536
	200	18.0	18.0	370	340	18.0	..	366.0	0.447
600	150	23.9	17.0	80	..	415	340	17.0	100	457.0	0.721
	200	18.0	18.0	425	370	18.0	..	489.0	0.505
700	200	26.3	18.0	475	380	18.0	106	579.0	0.682
	250	19.0	19.0	90	..	435	410	19.0	..	670.0	0.571
800	200	28.7	17.0	80	15	525	390	18.0	150	789.0	1.480
	250	19.0	19.0	90	..	535	430	19.0	..	828.0	1.360
900	250	31.1	19.0	590	440	19.0	150	1050.0	1.620
	300	20.0	20.0	595	470	20.0	..	1100.0	1.390
1000	300	33.6	20.0	100	..	645	500	20.0	150	1350.0	1.490
	400	23.0	23.0	110	..	660	520	23.0	..	1420.0	1.300
1100	300	36.0	20.0	100	20	700	506	20.0	200	1580.0	2.320
	400	23.0	23.0	110	..	715	570	23.0	..	1750.0	2.420
1200	300	38.4	20.0	100	..	750	520	20.0	200	1890.0	2.760
	400	23.0	23.0	110	..	765	580	23.0	..	2050.0	2.760
1350	300	42.0	20.0	100	..	830	540	20.0	200	2370.0	3.630
	400	23.0	23.0	110	..	845	590	23.0	..	2550.0	3.250
1500	300	45.7	20.0	100	..	910	560	20.0	200	2930.0	4.380
	400	23.0	23.0	110	..	925	610	23.0	..	3130.0	4.230

※ 肋縁ノ重量ヲ含マス

短管甲

(普通壓及低壓用)



(突縁及承口ノ寸法ハ直管ニ同シ)

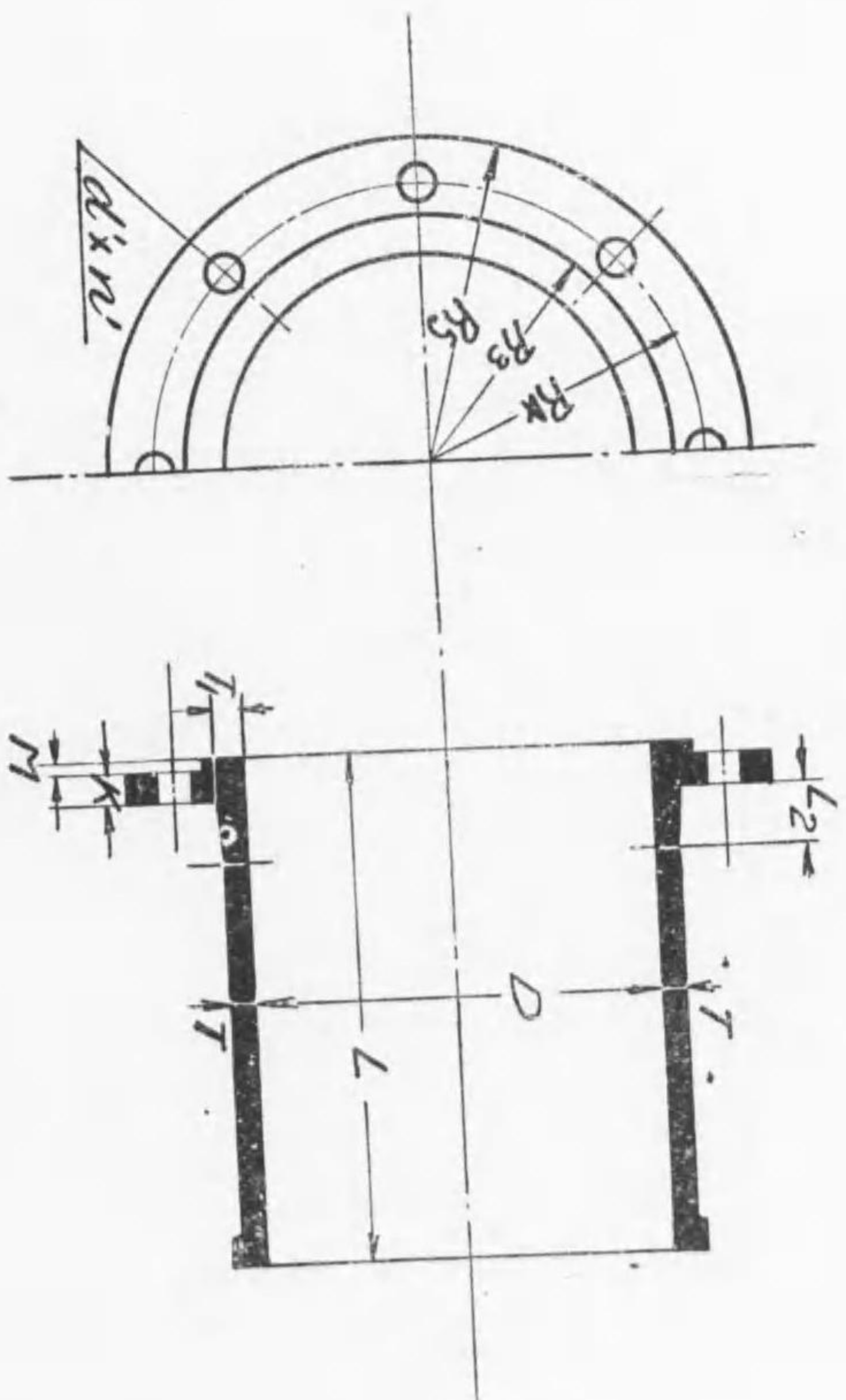
短管甲

第二十號 第一表

公稱内徑 D	管 T	厚 T ₁	管 L	管 L ₂	長 F	K	M	突縁			寸		法		重 量
								R ₁	R ₂	R ₃	R ₁	R ₂	ボ ー ル の 孔 d'	ナ ツ の 孔 d''	
75	10.2	15.2	280	106	71.4	21	3	105.5	84.0	62.5	19.0	4	19.1		
100	10.7	15.7	"	"	73.1	22	"	119.0	97.5	76.0	"	"	25.0		
125	11.3	16.3	"	"	"	"	"	131.5	110.0	88.5	"	6	30.1		
150	11.8	16.8	"	"	74.9	23	"	145.0	123.5	102.0	"	"	37.4		
200	12.9	17.9	"	"	76.7	24	"	171.0	149.5	128.0	"	8	50.8		
250	14.0	19.0	"	"	80.1	26	"	205.0	180.0	154.0	22.0	"	69.9		
300	15.1	21.1	"	120	81.8	27	4	232.0	207.0	181.0	"	10	87.2		
350	16.2	22.2	"	"	83.6	28	"	265.0	236.0	207.0	25.0	"	109.0		
400	17.3	23.3	370	"	87.0	30	"	291.0	262.0	233.0	"	12	149.0		
450	18.4	24.4	"	"	88.8	31	"	328.0	292.5	259.0	28.5	"	180.0		
500	19.5	25.5	"	"	92.2	32	"	353.0	319.5	286.0	"	"	210.0		
600	21.7	27.7	"	"	95.7	35	"	405.0	371.5	338.0	"	16	277.0		
700	23.9	29.9	"	"	99.2	38	"	464.0	427.0	390.0	31.5	"	359.0		
800	26.1	33.1	"	140	102.6	41	5	517.0	480.0	443.0	"	20	453.0		
900	28.3	35.3	510	"	107.8	44	"	578.0	536.5	495.0	35.0	"	655.0		
1000	30.5	37.5	"	"	113.0	46	"	631.0	589.5	548.0	"	24	782.0		
1100	32.7	39.7	"	"	116.6	49	"	683.0	641.5	600.0	"	"	923.0		
1200	34.9	41.9	"	"	120.0	52	"	735.0	693.5	652.0	"	28	1080.0		
1350	38.2	46.2	"	160	125.2	56	6	821.0	776.0	731.0	38.0	"	1300.0		
1500	41.5	49.5	"	"	132.0	60	"	900.0	855.0	810.0	"	32	1640.0		

短管乙

(普通壓及低應用)



(突縁及挿口ノ寸法ハ直管ニ同シ)

短管乙

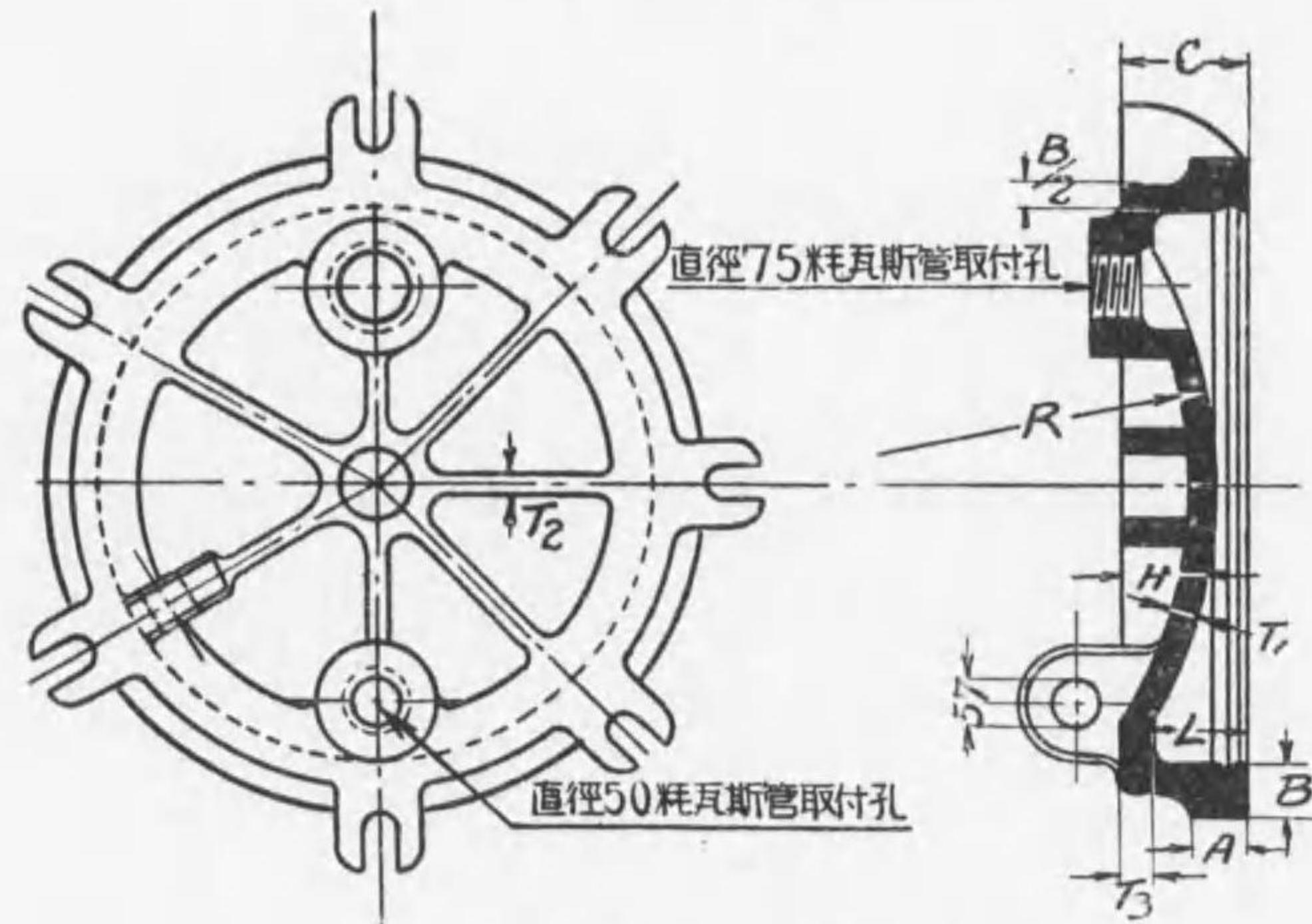
第二十號 第二表

公稱内徑 D	管 T	厚 T ₁	管 L	長 L ₂	突			緣			寸		法	孔	重 量
					K	M	R ₃	R ₄	R ₅	d'	n'				
75	10.2	15.2	800	100	21	3	105.5	84.0	62.5	19.0	4	21.8			
100	10.7	15.7	"	"	22	"	119.0	97.5	76.0	"	"	29.0			
125	11.3	16.3	"	"	"	"	131.5	110.0	88.5	"	6	34.5			
150	11.8	16.8	"	"	23	"	145.0	123.5	102.0	"	"	44.8			
200	13.9	17.9	"	"	24	"	171.0	149.5	138.0	"	8	62.9			
250	14.0	19.0	"	"	26	"	205.0	180.0	154.0	22.0	"	86.0			
300	15.1	21.1	"	130	27	4	232.0	207.0	181.0	"	10	110.0			
350	16.2	22.2	"	"	28	"	265.0	236.0	207.0	25.0	"	138.0			
400	17.3	23.3	900	"	30	"	291.0	263.0	233.0	"	12	155.0			
450	18.4	24.4	"	"	31	"	326.0	292.5	259.0	28.5	"	223.0			
500	19.5	25.5	"	"	32	"	353.0	319.5	286.0	"	"	260.0			
600	21.7	27.7	"	"	35	"	405.0	371.5	333.0	"	16	313.0			
700	23.9	29.9	"	"	38	"	464.0	427.0	390.0	31.5	"	444.0			
800	26.1	33.1	"	140	41	5	517.0	486.0	443.0	"	20	555.0			
900	28.3	35.3	1000	"	44	"	578.0	536.5	485.0	35.0	"	743.0			
1000	30.5	37.5	"	"	46	"	631.0	589.5	548.0	"	24	885.0			
1100	32.7	39.7	"	"	49	"	683.0	641.5	600.0	"	"	1040.0			
1200	34.9	41.9	"	"	52	"	735.0	694.5	652.0	"	28	1210.0			
1350	38.2	46.2	"	160	56	6	821.0	776.0	731.0	38.0	"	1510.0			
1500	41.5	49.5	"	"	60	"	900.0	855.0	810.0	"	32	1820.0			

帽

(普通壓及低壓用)

500 ~ 1,500



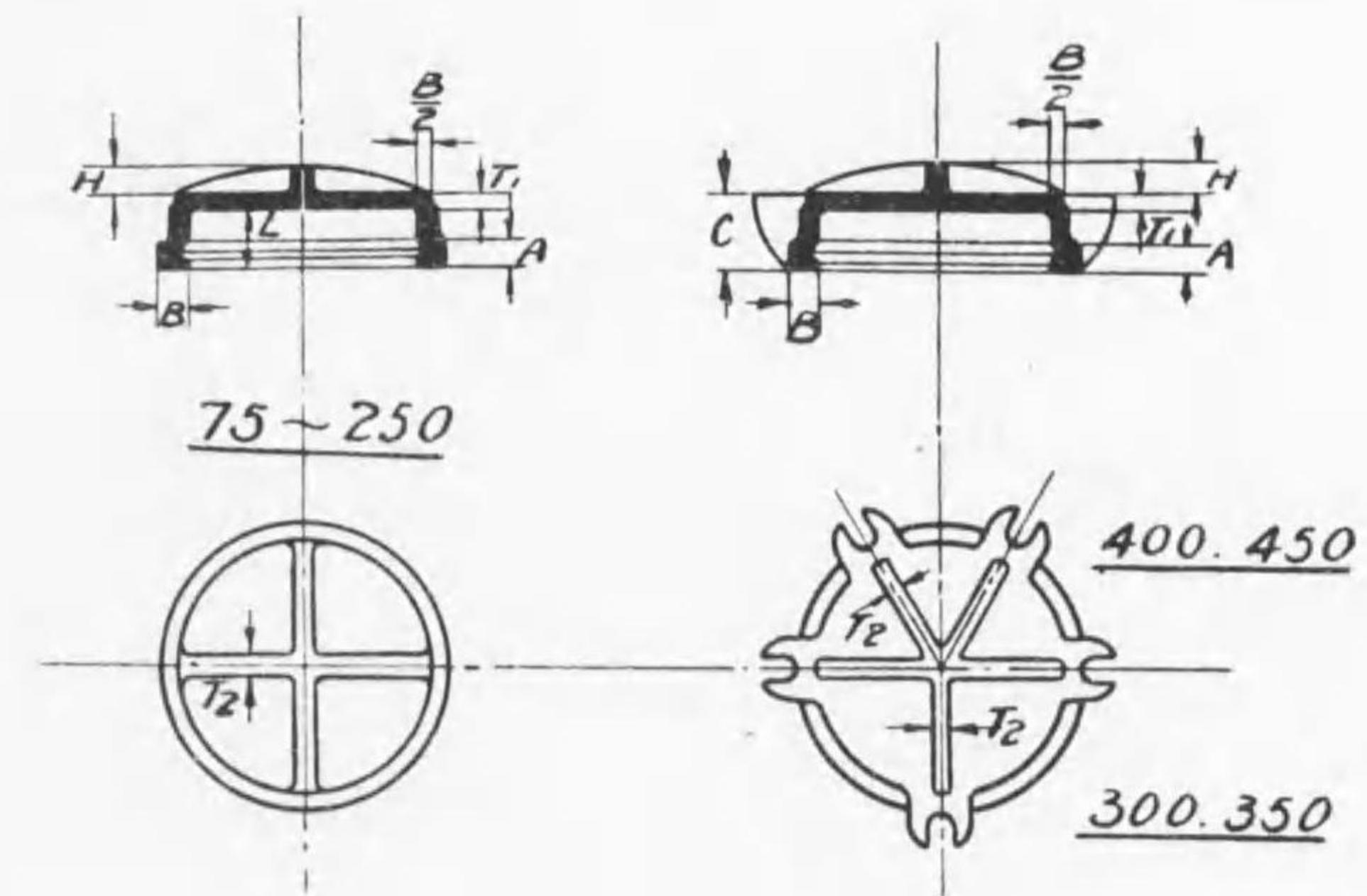
(承口ノ寸法ハ直管ニ同シ)

(其ノ二)

公稱内徑	各部ノ寸法									重量
D	A	B	L	H	T ₁	T ₂	T ₃	C	R	重量
500	45	49	115	65	25	25	25	141	457	133.0
600	50	53	120	70	27	27	27	150	657	192.0
700	55	58	125	75	29	29	29	158	785	241.0
800	60	62	130	80	31	31	31	164	1025	311.0
900	65	67	135	85	33	33	33	171	1155	422.0
1000	70	71	140	90	35	35	35	178	1352	524.0
1100	75	74	145	95	37	37	37	185	1553	608.0
1200	80	77	150	100	39	39	39	192	1856	787.0
1350	85	80	160	105	41	41	41	200	2126	994.0
1500	90	83	165	110	43	43	43	208	2339	1260.0

帽

(普通壓及低壓用)



(承口ノ寸法ハ直管ニ同シ)

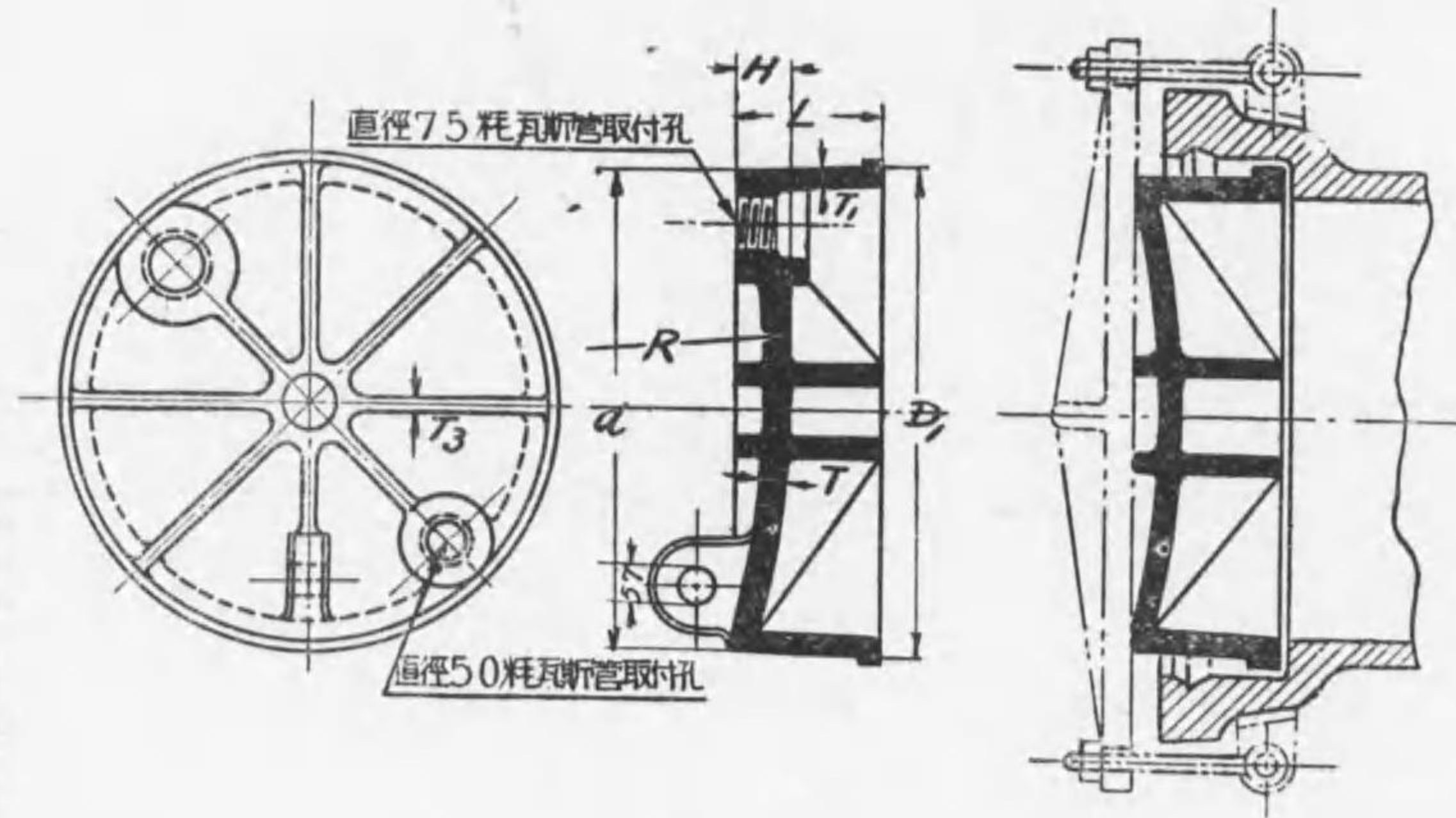
第二十一號 第一表 (其ノ一)

公稱内徑	各部ノ寸法							重量
D	A	B	L	H	T ₁	T ₂	C	重量
75	35	30	90	15	8.47
100	40	31	95	17	11.40
125	45	32	100	19	14.00
150	50	33	105	21	18.10
200	60	34	110	23	26.10
250	70	35	115	33.1	25	19	38.60
300	80	36	120	39.4	27	21	127	50.20
350	90	37	125	48.3	29	23	136	69.80
400	100	38	130	50.8	31	25	139	94.00
450	110	39	135	50.8	33	27	144	118.00

栓

(普通壓及低壓用)

600 ~ 1,500



$T_3 = 0.9T$

(挿口ノ寸法ハ直管ニ同シ)

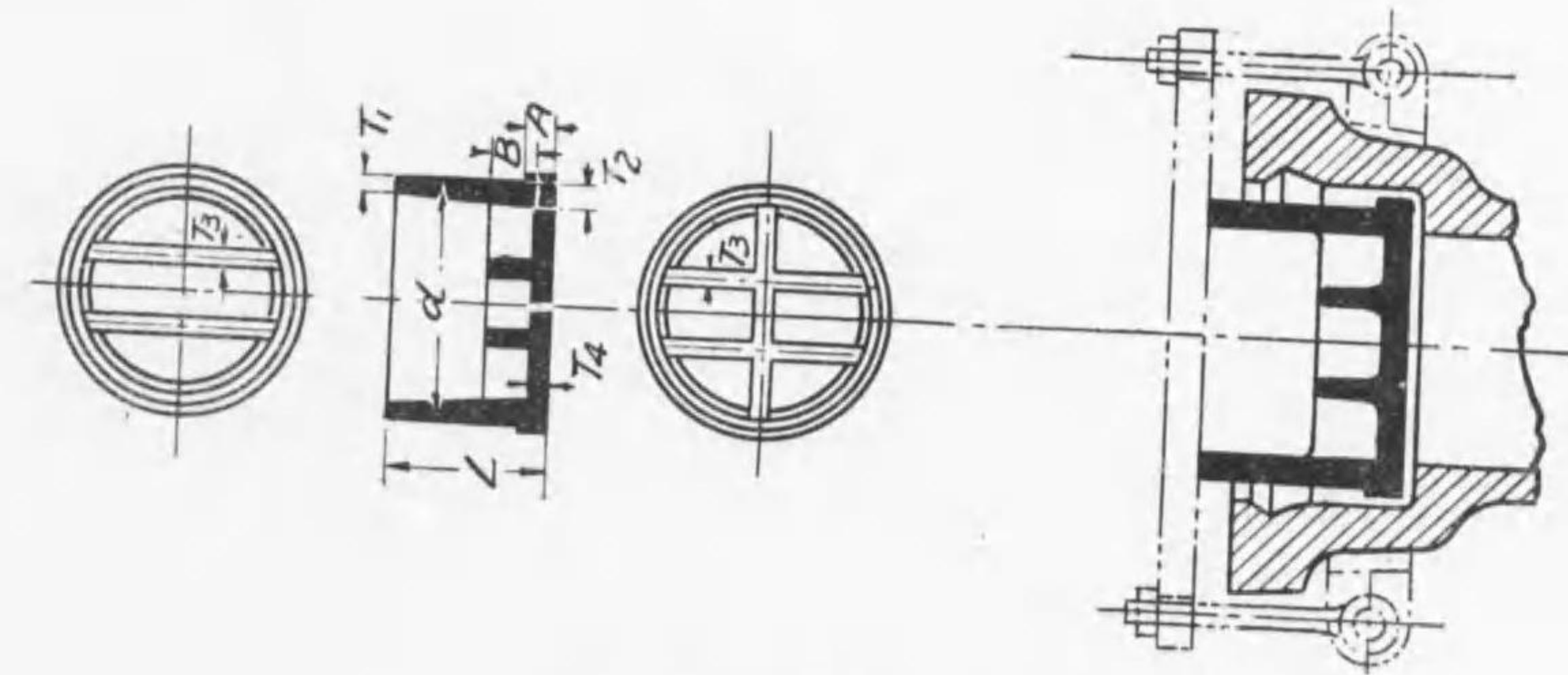
(其ノ二)

公稱内徑		各部ノ寸法						重量 kg
D	D ₁	d	L	T=T ₁	T ₃	H	R	
600	643.4	637.3	200	23	21	80	584	107.0
700	747.8	741.7	..	26	23	..	785	166.0
800	852.2	846.1	..	28	25	..	1015	205.0
900	956.6	950.5	..	29	26	..	1277	253.0
1000	1061.0	1051.9	230	31	28	..	1571	326.0
1100	1165.4	1159.3	..	33	30	..	1896	381.0
1200	1269.8	1263.7	..	36	32	..	2252	481.0
1350	1426.4	1420.3	..	39	35	..	2845	581.0
1500	1583.0	1576.9	..	42	38	..	3551	819.0

栓

(普通壓及低壓用)

75 ~ 500

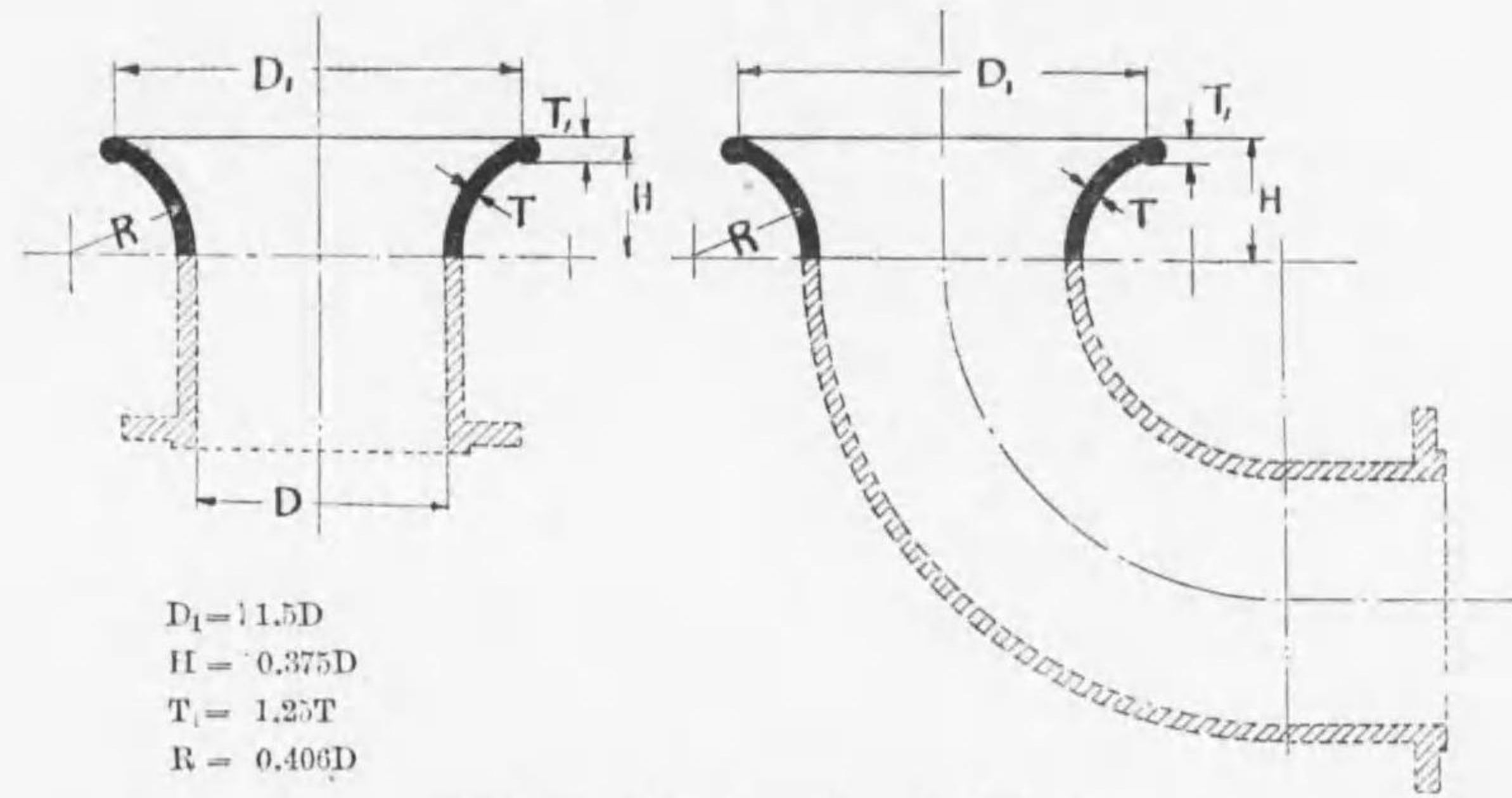


(挿口ノ寸法ハ直管ニ同シ)

第二十二號 第一表 (其ノ一)

公稱内徑	各部ノ寸法								重量 kg
	D	d	A	L	T ₁	T ₂	T ₃	T ₄	
75	95.4	15	140	6	9	9	12	50	2.86
100	121.4	10	10	13	..	4.52
125	147.6	6.11
150	173.6	14	..	7.75
200	225.8	10.60
250	278.0	20	152	..	13	13	17	55	19.30
300	330.2	19	..	27.70
350	382.4	8	34.30
400	434.6	25	165	22	60	45.70
450	486.8	16	16	24	..	61.00
500	539.0	25	..	75.20

鐘口乙



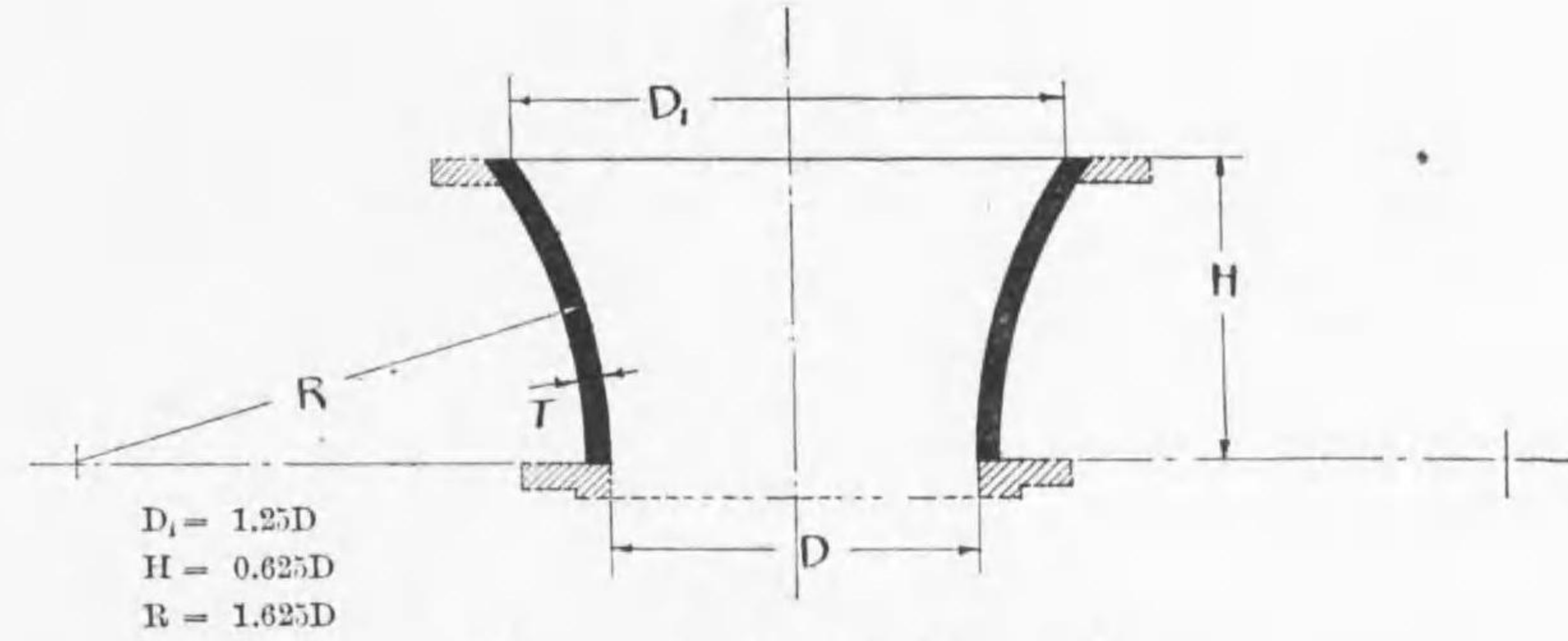
$D_1 = 1.15D$
 $H = 0.375D$
 $T_1 = 1.25T$
 $R = 0.406D$

第二十三號第二表

公稱内徑		各部ノ寸法				重量※ 吨
D	D ₁	T	T ₁	H	R	
100	150	11.8	15	38	41	1.76
125	188	12.4	16	47	51	2.69
150	225	13.0	17	56	61	4.02
200	300	14.2	18	75	81	7.01
250	375	15.4	20	94	102	12.90
300	450	16.6	21	113	122	19.80
350	525	17.8	23	131	142	28.90
400	600	19.0	24	150	162	39.90
450	675	20.2	25	169	183	53.60
500	750	21.5	27	188	203	70.30
600	900	23.9	30	225	244	112.00
700	1050	26.3	33	263	284	168.00
800	1200	28.7	36	300	325	239.00
900	1350	31.1	40	338	365	328.00

※ 鐘口部重量ニシテ斜影線ノ部分ヲ含マス

鐘口甲



$D_1 = 1.25D$
 $H = 0.625D$
 $R = 1.625D$

第二十三號第一表

公稱内徑		各部ノ寸法			重量※ 吨
D	T	D ₁	H	R	
75	11.2	94	47	122	1.11
100	11.8	125	63	163	2.07
125	12.4	156	78	203	3.40
150	13.0	188	94	244	4.86
200	14.2	250	125	325	9.38
250	15.4	313	156	406	15.80
300	16.6	375	188	488	24.60
350	17.8	438	219	569	35.30
400	19.0	500	250	650	49.60
450	20.2	563	281	731	66.80
500	21.5	625	312	813	87.80
600	23.9	750	375	975	140.00
700	26.3	875	438	1138	223.00
800	28.7	1000	500	1300	297.00
900	31.1	1125	563	1463	408.00
1000	33.6	1250	625	1625	543.00
1100	36.0	1375	688	1788	640.00
1200	38.4	1500	750	1950	888.00
1350	42.0	1688	844	2194	1240.00
1500	45.7	1875	938	2438	1600.00

※ 鐘口部重量ニシテ斜影線ノ部分ヲ含マス

乙 號

水道用鑄鐵管仕様書標準の寸法をメートル式に変更及
異形管の種類増加に關する調査書

水道用鑄鐵管仕様書標準の寸法をメートル式に変更及 異形管の種類増加

第一章 總 說

- 一、調査事項 大正三年ニ決定セル水道用鑄鐵管仕様書標準ヲ「メートル式」ニ變更スルト共ニ異形管ノ種類ヲ増加セリ
- 二、調査ノ順序 第一ニ「メートル式」ニ依ル直管ノ厚サヲ定ムル公式ヲ定メ承口、挿口等ノ細部ヲ決定シ次ニ在來ノ仕様書ニ規定セル曲管、枝管、片落管、接ギ輪及突縁管ノ外今回増加セル異形管ノ種類、形狀、寸法ヲ調査決定セリ
- 三、調査ノ原則 在來ノ直管及異形管ヲ「メートル式」ニ變更セルモ大體其寸法ニ準據シ可成的之レカ變化ヲ來サシメサル範圍内ニ於テ厚サ其他ヲ定ムル公式ヲ選定セリ
- 四、單位 寸法ノ單位ハ耗トシ小數點以下一位ニ止メ以下ヲ四捨五入トセリ、重量ノ單位ハ疋トシ鑄鐵一立方疋ノ重量ヲ七二五トシテ算出セリ、但シ重量表ニハ有效數字三桁ヲ取り以下ヲ四捨五入トス

第二章 直管ノ種類及寸法

- 一、直管ノ長サハ印籠直管ニ在リテハ内徑百五十耗以下ハ三米、二百耗以上ハ四米トス
- 二、突縁管ニ在リテハ内徑三百五十耗以下ハ三米、四百耗以上ハ四米トス
- 三、鑄鐵管ハ二種トシ靜水頭四十五米乃至七十五米ニ對スルモノヲ普通壓管ト稱シ靜水頭四十五米未

滿ニ對スルモノヲ低壓管ト稱ス

七普通壓管ノ内徑ヲ標準トシ其外徑ヲ定メ低壓管ノ場合ニハ其外徑ヲ標準トシ其内徑ヲ定ム

八前項ノ内徑ヲ公稱内徑ト稱ヘ左ノ二十種トス

75耗	100耗	125耗	150耗	200耗	250耗	300耗	350耗	400耗	450耗
500耗	600耗	700耗	800耗	900耗	1,000耗	1,100耗	1,200耗	1,350耗	1,500耗

第三章 管ノ厚サノ算定

六鐵管ノ標準厚ハ既ニ前調査委員會ニ於テ各地水道鐵管及諸種ノ既定公式ヲ精細ニ調査ノ上内徑十吋以上ノ鐵管ノ厚サハFanning氏ノ公式ニ從ヒ其レ以下ノ鐵管ノ厚サハ同公式ヨリ稍薄キ寸法ヲ得ヘキ公式ヲ作成スルコトトシテ次式ヲ採用セリ

$$T = \frac{(P+P^{\prime})d}{7,200} + 0.274 + \frac{d^2}{21,000}$$

$$P^{\prime} = \frac{500}{\sqrt{d+8.8}}$$

式中

T = 管ノ厚サ吋 P = 使用壓力一平方吋ニ於ケル吋

d = 管ノ内徑吋 P' = 水ノ衝擊壓力一平方吋ニ於ケル吋

其後モ土壓及彎曲力率ヲ考慮セル公式ヲ新ニ作成セルモノアルモ遙ニ厚サヲ増シ現狀ト異ナルコト大ナルヲ以テ前回ニ採用セル前記ノ公式ヲ其儘メートル式ニ換算シ其係數ヲ簡約スルコトニ決定シ次ノ五式ヲ作成シ之レヲ原式ニ比シ猶從來内徑小ナル管ハ普通敷設延長モ大ニ埋設深モ淺ク且ツ手荒キ取扱ヲ受ケ易キヲ以テ故障比較的多キ事實ニ徴シ審議ノ結果前回委員會ニ於

テ十吋以下ノ管ノ厚サヲ特ニ稍薄クセント努メタルコトヲ廢シ從來ニ比スレハ幾分小管ノ厚サヲ増スカ如キ直線式ナル第四式ヲ採用スルコトトセリ

$$T = \frac{(P+P^{\prime})d}{506.23} + 6.9596 + \frac{d^2}{533,400} \quad P^{\prime} = \frac{177.17}{\sqrt{d+223.52}}$$

(原式ヲ其儘メートル式ニ換算セルモノ)

$$T = \frac{(P+P^{\prime})d}{500} + 7.0 + \frac{d^2}{500,000} \quad P^{\prime} = \frac{177}{\sqrt{d+224}} \dots\dots\dots(1)$$

$$T = \frac{(P+P^{\prime})d}{500} + 7.0 + \frac{d^2}{550,000} \quad P^{\prime} = \frac{175}{\sqrt{d+225}} \dots\dots\dots(2)$$

$$T = \frac{(P+P^{\prime})d}{500} + 7.0 + \frac{d^2}{500,000} \quad P^{\prime} = \frac{175}{\sqrt{d+225}} \dots\dots\dots(3)$$

$$T = \frac{(P+P^{\prime})d}{500} + 8.5 \left(1 - \frac{d}{2,125}\right) \dots\dots\dots(4)$$

$$T = \frac{(P+P^{\prime})d}{500} + 8.5 \left(1 - \frac{d}{2,360}\right) \dots\dots\dots(5)$$

式中

T = 管ノ厚サ吋

d = 管ノ内徑吋

P = 靜水壓力每平方吋ニ於ケル吋

P' = 衝擊壓力

第五式ハFanning氏ノ公式ト極メテ能ク一致ス

而シテ前委員會ニ於テハPハ使用壓力ナリシモ實際適用上改メテ靜水壓力トスルヲ便ナリト認メ猶東京市水道局ニ於ケル衝擊實驗ノ結果其ノ量ノ普通極メテ小ナルニ鑑ミ之ニ對スル餘裕ヲ

水頭ニテ平均七十米 (7kg/cm²) ナリシヲ五十米 (5kg/cm²) ニ減スルコトトセリ、今普通壓管ヲ水頭七十五米ニ對スルモノトシ低壓管ヲ水頭四十五米ニ對スルモノトスレハ管ノ厚サヲ定ムル式ハ第四式ニ依リ

普通壓管ノ厚サ $T = 0.022d + 8.5$

低壓管ノ厚サ $T = 0.016d + 8.5$

斯クノ如ク從前ニ比シ衝擊ニ對スル餘裕ヲ約二割減セルハ一ツハ實驗ノ結果之レカ安全ヲ信シタルト一ツハ本邦ニ於テ三十メートル乃至四十五メートルノ水頭ヲ有スル水道比較的多ク之レ等ヲシテ凡テ普通壓管ヲ使用セシムルハ小水道ニ於テハ負擔ヲ重クシ水道ノ普及ヲ阻害スル虞アルトニ因レリ

從テ唧筒ニ直結スル配水管又ハ電力ヲ以テ開閉スル瓣等衝擊作用ノ大ナルカ如キ箇所ニ於テハ空氣室ヲ設クルカ瓣ノ開閉ニ注意ヲ拂フ等特別ノ考慮ヲ要ス

10、異形管ノ厚サハ普通壓直管ノ厚サノ一割増シヲ通則トス而シテ之レカ増大ハ恒ニ管ノ内方ニ於テシ外徑ハ之レヲ不變ナラシム

第四章 鐵管接手ノ形狀

1、管ノ接手ノ形狀ハ主トシテ從來ノ標準ニ準スルモノトシ關東大震災ノ結果ニ鑑ミ多小承口ノ深サヲ増大シ附表第壹號及貳號ノ如ク定メタリ

備考 耐震接手ハ猶慎重ナル研究ヲ要スルヲ以テ別ニ柔港其他ニ於ケル前例ヲ參照シテ實地ニ之レヲ作成シ本委員會第二部ニ於テ更ニ實驗ノ上決定スルモノトス

2、突縁ハ從來全ク英國ノ標準ニ據リシモノヲ改メテ汎ク實例ヲ參照シテ附表第壹號及貳號ノ如ク

決定セリ

第五章 異管ノ種類及形狀

1、異形管ハ十字管、丁字管、片落管、曲管、乙字管、又管制水瓣附屬用管、消火栓用管、排氣瓣用丁字管、泥吐管、接キ輪、短管、帽、栓、鐘口ノ十五種トス之レニ制水瓣管ニ關係アル寸法ヲ加ヘタリ其形狀ヲ定メンカ爲メニハ前委員會ニ於テ定メタル標準アルモノハ之レニ準シ、今回増加セル新種類ハ各地水道用異形管ノ實例ヲ比較研究シテ細部ヲ附表第壹號乃至第貳拾參號ノ如ク定メタリ

以上

丙
號

水道用鑄鐵管の重量計算法

水道用鑄鐵管の重量計算法

第一章 計算ニ關スル注意

1. 規格中ノ諸表ニ記載セル重量ハ下ニ示スカ如キ公式ニ依リテ計算セリ
管ノ太サハ凡テ各公稱内徑ニ對シテ定マレル外徑ヲ標準トシ尙承口、突縁及挿口ハ普通壓管、低壓管、異形管ニ對シテ何レモ同一ノ形狀及寸法ヲ有スルモノトセリ
2. 重量ハ管體、突縁、承口、挿口ノ如ク區分シテ下ニ述フルカ如キ公式ニ依リテ計算シ管體ハ更ニ直線部、彎曲部、特異形部及漸縮部ノ如ク區分シテ計算シ之ヲ合計セリ
3. 重量計算ニハ凡テ鑄鐵一立方糎ニ就キ 7.2 瓦ヲ用ヒタリ
4. 下ニ述フルカ如キ式ハ特殊ノ假定ヲ用ヒラ作りタルモノナレハコノ假定ニ依ル誤差ハ免レサルモノナリ
但シコノ爲ノ誤差モ±1.0%ヲ超過セサルモノト信ス
5. 式中共通シテ用ヒシ文字ハ次ノ如キ意味ヲ有セシム

T. t = 管 厚

D. d = 管 徑

L. l = 長 サ (中心線ニ沿フモノナリ)

V = 體 積

W = 重 量

A = 面 積

w = 鑄鐵ノ單位重

θ, φ, ψ = 角ノ大サ (弧度法ニ依ルモノナリ)

其他ハ附圖ニ就キテ見ル可シ

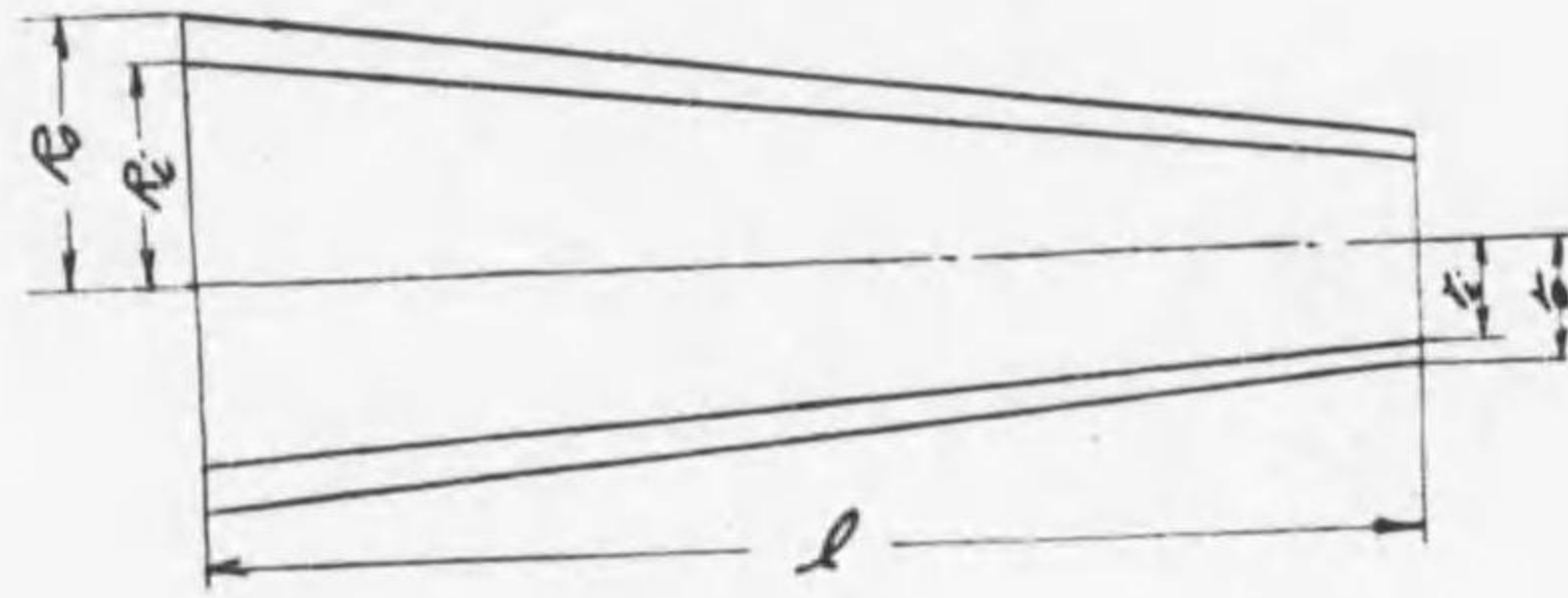
第二章 計 算 公 式

第一節 直 線 部

$$\begin{aligned} \text{斷面積} &= \frac{\pi}{4}(D_o^2 - D_i^2) \\ &= \pi Dt \end{aligned}$$

$$W = \frac{w}{3} \pi l \left\{ (R_0^2 + R_0 r_0 + r_0^2) - (R_1^2 + R_1 r_1 + r_1^2) \right\} \dots \dots \dots (2)$$

片落短管ニ於テハ漸縮部始點及終點ニ於ケル曲面ヲ考ヘス



第二項 圓弧ヲナスモノ

任意ノ斷面 ABニ於ケル面積

$$A_\theta = \frac{\pi}{2} t_\theta (d_{\theta 0} + d_{\theta 1})$$

管厚ハ Y 軸ヨリノ弧ノ長サニ比例シテ増加スルモノトス

$$(t_\theta - t) : R \left(\frac{\pi}{2} - \theta \right) = (T - t) : R \frac{\pi}{2}$$

$$t_\theta = \frac{2}{\pi} \left\{ \left(\frac{\pi}{2} - \theta \right) T + \theta t \right\}$$

$$D_0 - D_1 = 2T \quad d_0 - d_1 = 2t$$

$$\therefore t_\theta = \frac{1}{\pi} \left\{ \left(\frac{\pi}{2} - \theta \right) (D_0 - D_1) + \theta (d_0 - d_1) \right\}$$

直径ニ於テモ同様ニ Y 軸ヨリノ距離ニ比例シテ増加スルモノトス

$$d_{\theta 0} = \frac{2}{\pi} \left\{ \left(\frac{\pi}{2} - \theta \right) D_0 + \theta d_0 \right\}$$

$$d_{\theta 1} = \frac{2}{\pi} \left\{ \left(\frac{\pi}{2} - \theta \right) D_1 + \theta d_1 \right\}$$

$$\therefore d_{\theta 0} + d_{\theta 1} = \frac{2}{\pi} \left\{ \left(\frac{\pi}{2} - \theta \right) (D_0 + D_1) + \theta (d_0 + d_1) \right\}$$

$$A_\theta = \frac{1}{\pi} \left\{ \left(\frac{\pi}{2} - \theta \right) (D_0 - D_1) + \theta (d_0 - d_1) \right\} \left\{ \left(\frac{\pi}{2} - \theta \right) (D_0 + D_1) + \theta (d_0 + d_1) \right\}$$

$$\therefore dV = \frac{R}{\pi} \left\{ \left(\frac{\pi}{2} - \theta \right) (D_0 - D_1) + \theta (d_0 - d_1) \right\} \left\{ \left(\frac{\pi}{2} - \theta \right) (D_0 + D_1) + \theta (d_0 + d_1) \right\} d\theta$$

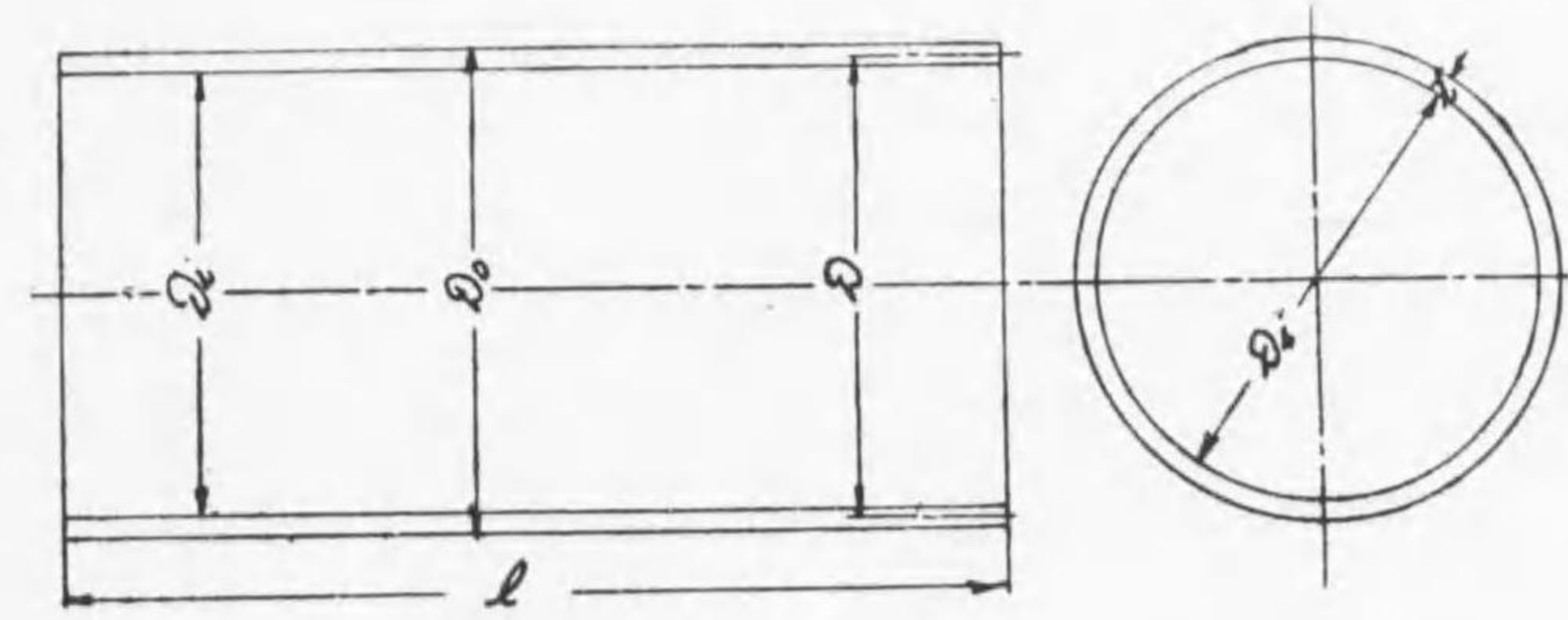
$$V = \frac{R}{\pi} \int_0^{\frac{\pi}{2}} \left\{ \left(\frac{\pi}{2} - \theta \right) (D_0 - D_1) + \theta (d_0 - d_1) \right\} \left\{ \left(\frac{\pi}{2} - \theta \right) (D_0 + D_1) + \theta (d_0 + d_1) \right\} d\theta$$

$$= \frac{R}{\pi} \left[-\frac{1}{3} \left(\frac{\pi}{2} - \theta \right)^3 (D_0^2 - D_1^2) + 2(D_0 d_0 - d_1 D_1) \left(\frac{\pi}{4} - \frac{\theta}{3} \right) \theta^2 + \frac{\theta^3}{3} (d_0^2 - d_1^2) \right]_0^{\frac{\pi}{2}}$$

$$D = D_0 - t = \frac{1}{2} (D_0 + D_1)$$

$$V = \pi D t l$$

$$W = w \pi D t l \dots \dots \dots (1)$$



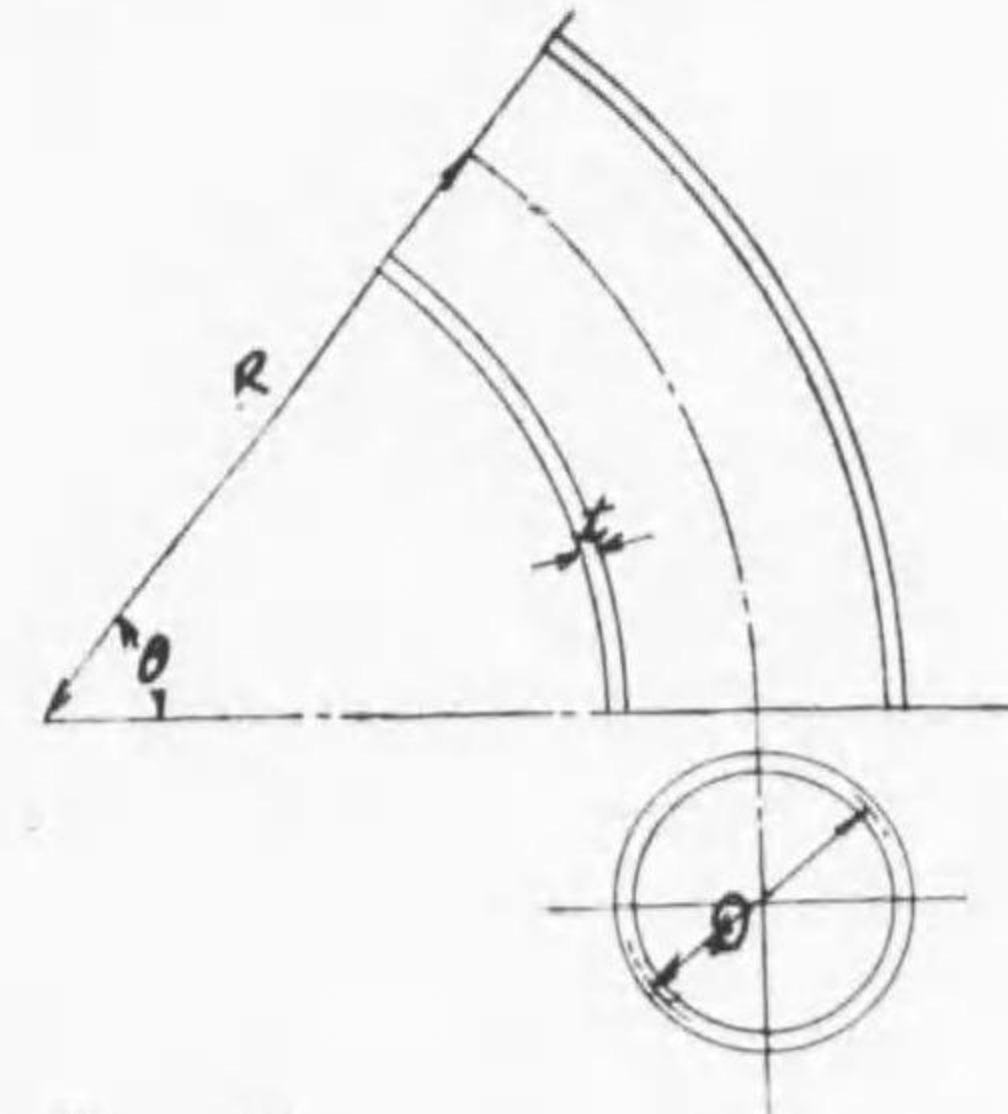
第二節 彎曲部

$$A = \pi D t$$

$$l = R \theta$$

$$V = \pi D t R \theta$$

$$W = w \pi D t R \theta$$



第三節 漸縮部

第一項 直線ナルモノ

二截頭圓錐ノ體積ノ差ナリ

$$V = \frac{1}{3} \pi l \left\{ (R_0^2 + R_0 r_0 + r_0^2) - (R_1^2 + R_1 r_1 + r_1^2) \right\}$$

$$\therefore dV = 2r^2 t_1 \frac{\cos^2 \varphi}{\sqrt{1 - (\frac{r}{R} \sin \varphi)^2}} d\varphi$$

$$V = 2r^2 t_1 \int_0^{\frac{\pi}{2}} \frac{\cos^2 \varphi}{\sqrt{1 - (\frac{r}{R} \sin \varphi)^2}} d\varphi \times 2$$

$$= 4r^2 t_1 \int_0^{\frac{\pi}{2}} \cos^2 \varphi (1 + \frac{1}{2} m^2 \sin^2 \varphi + \frac{3}{8} m^4 \sin^4 \varphi + \dots) d\varphi$$

$$\therefore r^2 \pi t_1 (1 + 0.125m^2 + 0.047m^4 + 0.024m^6 + 0.015m^8 + 0.010m^{10})$$

$$m = \frac{r}{R}$$

$$W_1 = w r^2 \pi t_1 (1 + 0.125m^2 + 0.047m^4 + \dots + 0.010m^{10}) \dots (4)$$

R=r m=1ナルトキニ於テハ

$$W'_1 = 4wr^2 t_1 \dots (5)$$

枝管ノ特殊ノ形ヲナス部分

$$dA = 2Rr(1 - \cos \theta) d\varphi$$

$$= 2Rr \left\{ 1 - \sqrt{1 - (\frac{r}{R} \sin \varphi)^2} \right\} d\varphi$$

$$dV = 2Rrt_2 \left\{ 1 - \sqrt{1 - (\frac{r}{R} \sin \varphi)^2} \right\} d\varphi$$

$$\therefore V_2 = 2Rrt_2 \int_0^{\frac{\pi}{2}} \left\{ 1 - \sqrt{1 - (\frac{r}{R} \sin \varphi)^2} \right\} d\varphi \times 2$$

$$= 2Rrt_2 \pi - 4Rrt_2 \int_0^{\frac{\pi}{2}} \sqrt{1 - (\frac{r}{R} \sin \varphi)^2} d\varphi$$

$$\therefore 2Rrt_2 \pi - 4Rrt_2 \int_0^{\frac{\pi}{2}} (1 - \frac{1}{2} m^2 \sin^2 \varphi - \frac{1}{8} m^4 \sin^4 \varphi \dots) d\varphi$$

$$V_2 \therefore 2Rrt_2 \pi - 2Rrt_2 \pi \left\{ 1 - \frac{1}{4} m^2 - \frac{3}{64} m^4 \dots \right\}$$

$$= 2Rrt_2 \pi \left\{ 0.250m^2 + 0.047m^4 + 0.020m^6 + 0.011m^8 + 0.007m^{10} \right\}$$

$$W_2 = 2Rrt_2 \pi w (0.250m^2 + 0.047m^4 + \dots + 0.007m^{10}) \dots (6)$$

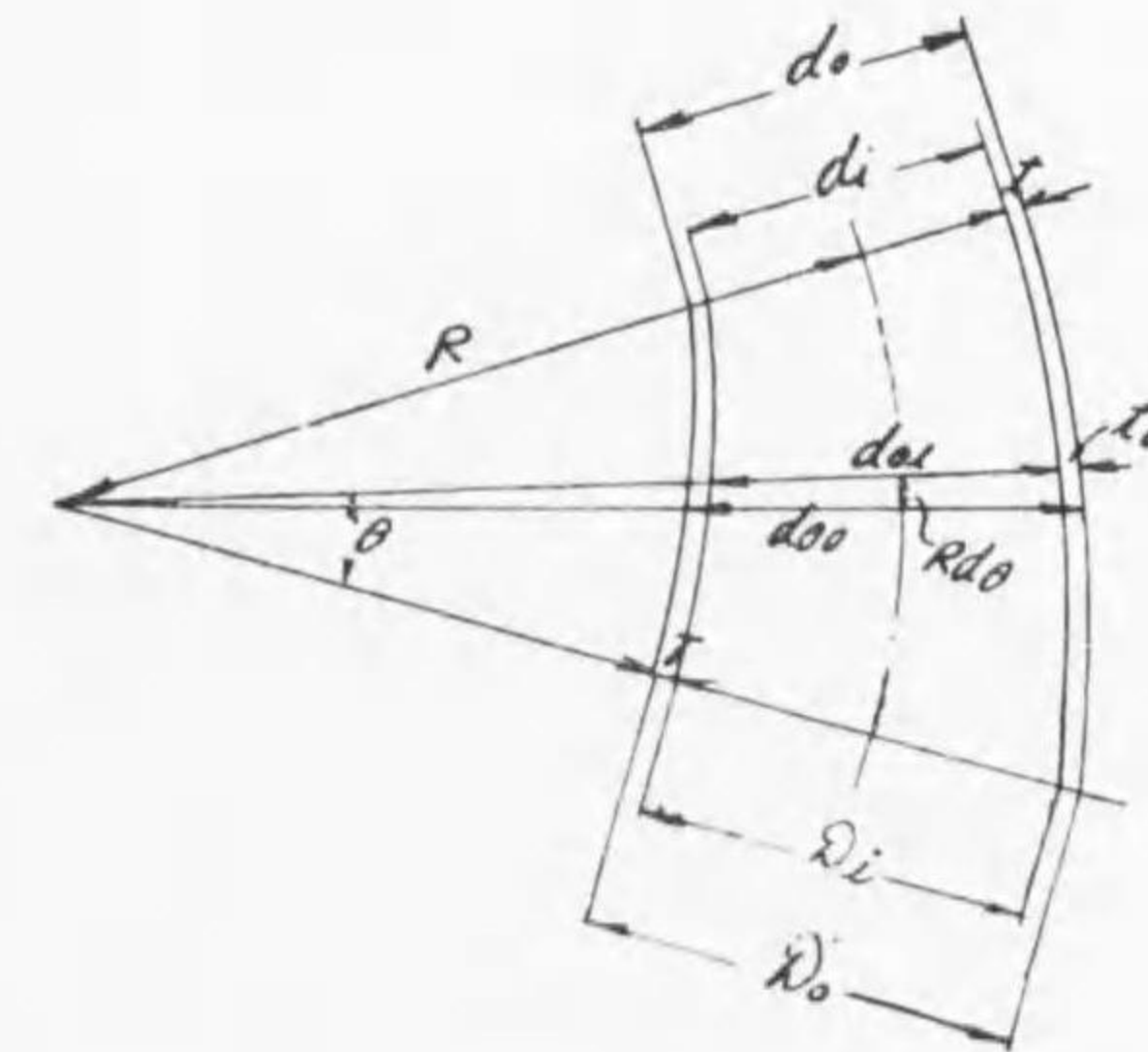
R=r m=1ナルトキハ

$$W'_2 = 4r^2 \left(\frac{\pi}{2} - 1 \right) t_2 w \dots (7)$$

從ツテ全匡正量ハ下ノ如シ

$$= \frac{R}{\pi} \left\{ \frac{\pi^3}{24} (D_0^2 - D_1^2) + \frac{\pi^3}{24} (D_0 d_0 - D_1 d_1) + \frac{\pi^3}{24} (d_0^2 - d_1^2) \right\}$$

$$= \frac{\pi^2 R}{24} \left\{ (D_0^2 + D_0 d_0 + d_0^2) - (D_1^2 + D_1 d_1 + d_1^2) \right\} \dots (3)$$



第四節 特異形部

凡テノ交叉ニ用フル管ノ交叉ノ部分ヲ特異形部ト云フ

特異形部ニ於テハ枝管ニ依リテ主管ヨリ切取ラルル部分及ヒ枝管カ本管ノ爲ニ切ラレテ生スル特殊ノ形ヲナセル部分トノ二部分ニ分テテ計算シ然モソノ部分ノ體積ハ管壁ノ中心面積ト管壁ノ厚サトノ積ナリト假定ス

更ニ交叉部ニ生スル曲面ヲナセル部分ノ體積ヲ考ヘサルモノトス

第一項 中心線互ニ直交スルモノ

本管ヨリ除カルヘキ重量

細キ帯ノ長サ $2r \cos \varphi$

同幅 $R d\theta$

$$dA = 2Rr \cos \varphi d\theta$$

$$R \sin \theta = r \sin \varphi$$

$$\therefore dA = 2r^2 \frac{\cos^2 \varphi}{\sqrt{1 - (\frac{r}{R} \sin \varphi)^2}} d\varphi$$

第二項 中心線カ斜メニ交ルモノ

主管ヨリ差引カルヘキモノ

$$dA = 2r \operatorname{cosec} \alpha \cos \varphi R d\theta$$

$$R \sin \theta = r \sin \varphi$$

$$dA = 2r \operatorname{cosec} \alpha \cos \varphi R \frac{r \cos \varphi}{R \sqrt{1 - (\frac{r}{R} \sin \varphi)^2}} d\varphi$$

$$= 2r^2 \operatorname{cosec} \alpha \frac{\cos^2 \varphi}{\sqrt{1 - (\frac{r}{R} \sin \varphi)^2}} d\varphi$$

$$V = 2r^2 \operatorname{cosec} \alpha t_1 \int_0^{\frac{\pi}{2}} \frac{\cos^2 \varphi}{\sqrt{1 - (\frac{r}{R} \sin \varphi)^2}} d\varphi \times 2$$

$$W_1 = \pi^2 t_1 \operatorname{cosec} \alpha w (1 + 0.125m^2 + 0.047m^4 + \dots + 0.010m^{10}) \dots \dots \dots (8)$$

R=r m=1 ナルトキ

$$W_1' = 4r^2 \operatorname{cosec} \alpha w \dots \dots \dots (9)$$

枝管ノ重量

$$k = (l - R \operatorname{sec} \alpha \cos \theta) \cot \alpha$$

$$r \sin \varphi = R \sin \theta$$

$$k = \left\{ l - R \operatorname{sec} \alpha \sqrt{1 - (\frac{r}{R} \sin \varphi)^2} \right\} \cot \alpha$$

$$dA = 2kr d\varphi$$

$$dA = 2r \cot \alpha \left\{ l - R \operatorname{sec} \alpha \sqrt{1 - (\frac{r}{R} \sin \varphi)^2} \right\} d\varphi$$

$$V_2 = 2rt_2 \cot \alpha \int_0^{\frac{\pi}{2}} \left\{ l - R \operatorname{sec} \alpha \sqrt{1 - (\frac{r}{R} \sin \varphi)^2} \right\} d\varphi \times 2$$

$$= 2r t_2 \pi \cot \alpha - 2r R t_2 \operatorname{cosec} \alpha \int_0^{\frac{\pi}{2}} \sqrt{1 - (\frac{r}{R} \sin \varphi)^2} d\varphi$$

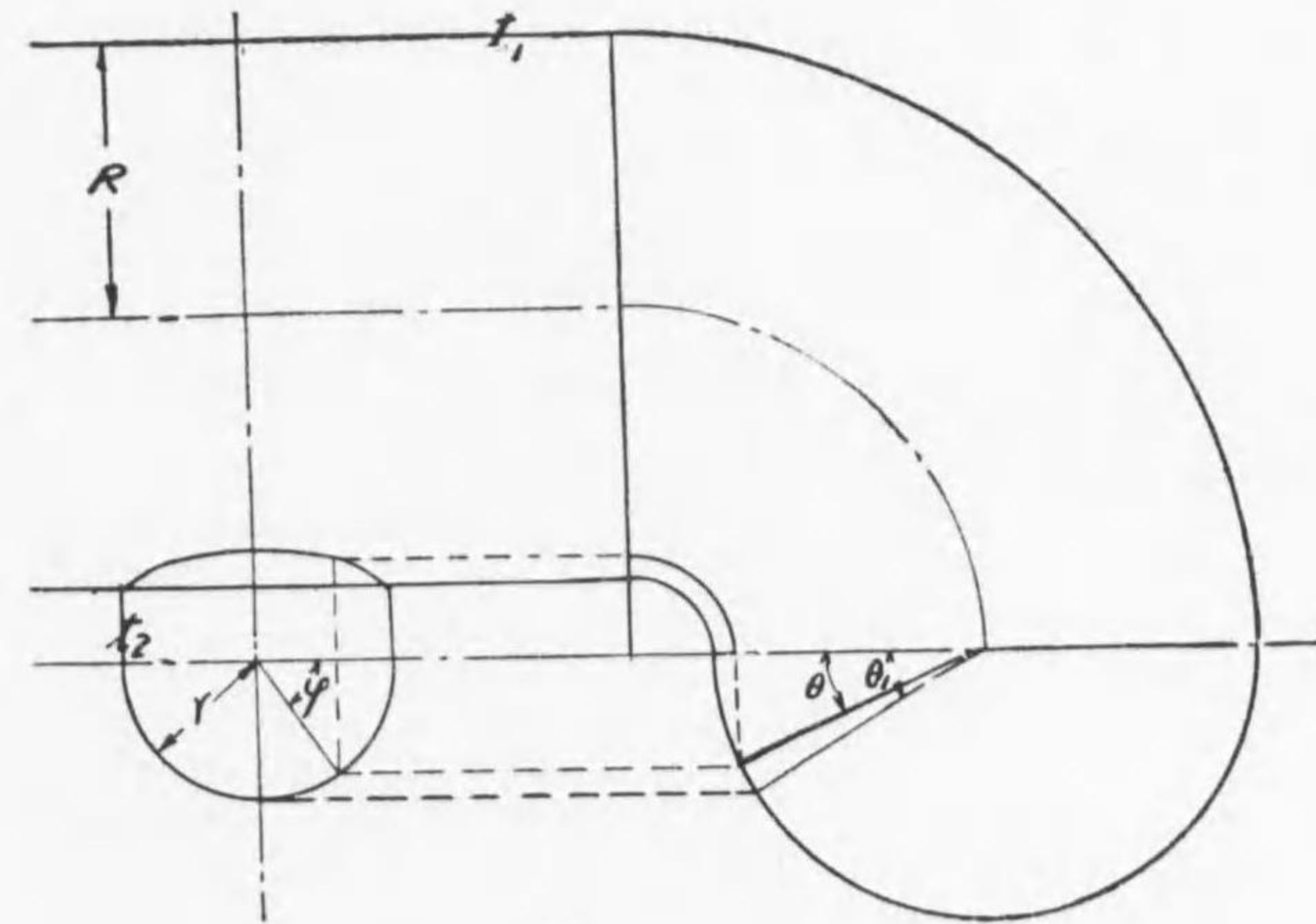
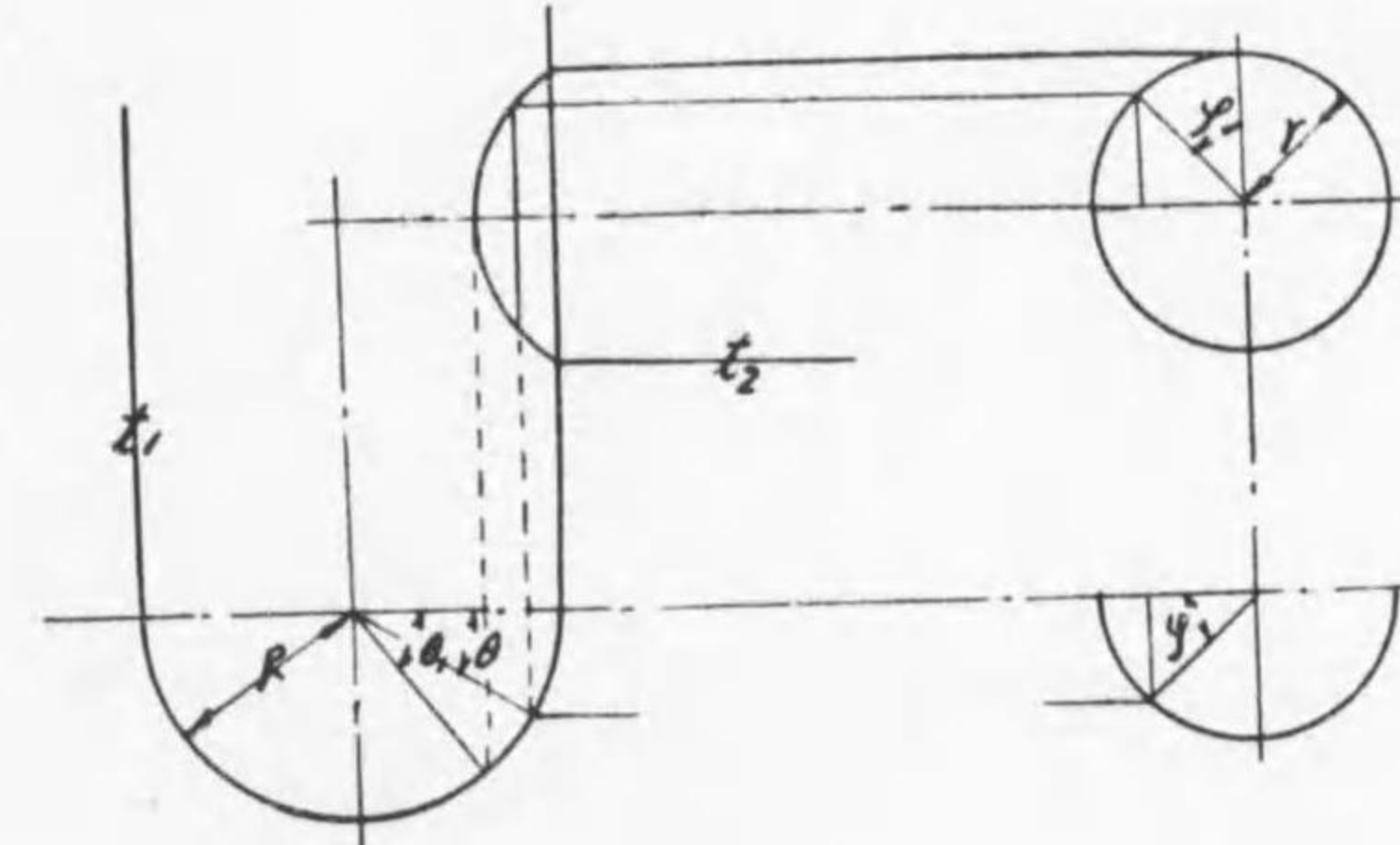
$$W_2 = \left\{ 2\pi r t_2 \cot \alpha - 2r R \pi t_2 \operatorname{cosec} \alpha (1 - 0.250m^2 - 0.047m^4 - 0.020m^6 - 0.011m^8 - 0.007m^{10}) \right\} w \dots \dots \dots (10)$$

R=r m=1 ナルトキ

$$W_2' = \left\{ 2\pi r t_2 \cot \alpha - 4r^2 t_2 \operatorname{cosec} \alpha \right\} w \dots \dots \dots (11)$$

本管ノミヲ考フルトキノ匡正量ハ

$$C = W_2 - W_1 \quad \text{或ハ} \quad C = W_2' - W_1'$$



現在ノ場合ニ於テハ $R=l+r$ 即 $l=R-r$

$$\therefore dA = 2r^2 \frac{\sin^2 \varphi}{\sqrt{1 - \left(1 - \frac{r}{R} - \frac{r}{R} \cos \varphi\right)^2}} d\varphi$$

$\frac{r}{R} = K^2$ ト オク

$$A = 2r^2 \int_0^\pi \frac{\sin^2 \varphi}{\sqrt{2 \frac{r}{R} (1 + \cos \varphi) - \frac{r^2}{R^2} (1 + \cos \varphi)^2}} d\varphi$$

$$= 2r^2 \int_0^\pi \frac{4 \sin^2 \frac{\varphi}{2} \cos^2 \frac{\varphi}{2}}{\sqrt{4K^2 \cos^2 \frac{\varphi}{2} - 4K^4 \cos^4 \frac{\varphi}{2}}} d\varphi$$

$$= \frac{4r^2}{K} \int_0^\pi \frac{\sin^2 \frac{\varphi}{2} \cos^2 \frac{\varphi}{2}}{\sqrt{1 - K^2 \cos^2 \frac{\varphi}{2}}} d\varphi$$

$\varphi = 2\psi$ ト セハ

$$A = \frac{8r}{K} \int_0^{\frac{\pi}{2}} \frac{\sin^2 \psi \cos^2 \psi}{\sqrt{1 - K^2 \cos^2 \psi}} d\psi$$

$\sin \psi = x$ ト オク ト キハ

$$A = \frac{8r}{K} \int_0^1 \frac{x^2}{\sqrt{1 - (1-x^2)K^2}} dx$$

$$= \frac{8r}{K} \int_0^1 \frac{x^2}{\sqrt{\left(\frac{1}{K^2} - 1\right) + x^2}} dx$$

$$= \frac{4r^2}{K^2} \left[\frac{1}{K} - \frac{1}{2} \left(\frac{1}{K^2} - 1 \right) \left\{ \log \left(\frac{1}{K} + 1 \right) - \log \left(\frac{1}{K} - 1 \right) \right\} \right]$$

$$V_1 = \frac{4r^2 t_1}{K^2} \left[\frac{1}{K} - \frac{1}{2} \left(\frac{1}{K^2} - 1 \right) \left\{ \log \left(\frac{1}{K} + 1 \right) - \log \left(\frac{1}{K} - 1 \right) \right\} \right]$$

$$W_1 = \frac{4r^2 t_1 w}{K^2} \left[\frac{1}{K} - \frac{1}{2} \left(\frac{1}{K^2} - 1 \right) \left\{ \log \left(\frac{1}{K} + 1 \right) - \log \left(\frac{1}{K} - 1 \right) \right\} \right] \dots \dots \dots (12)$$

枝管ノ重量

前同様ニシテ

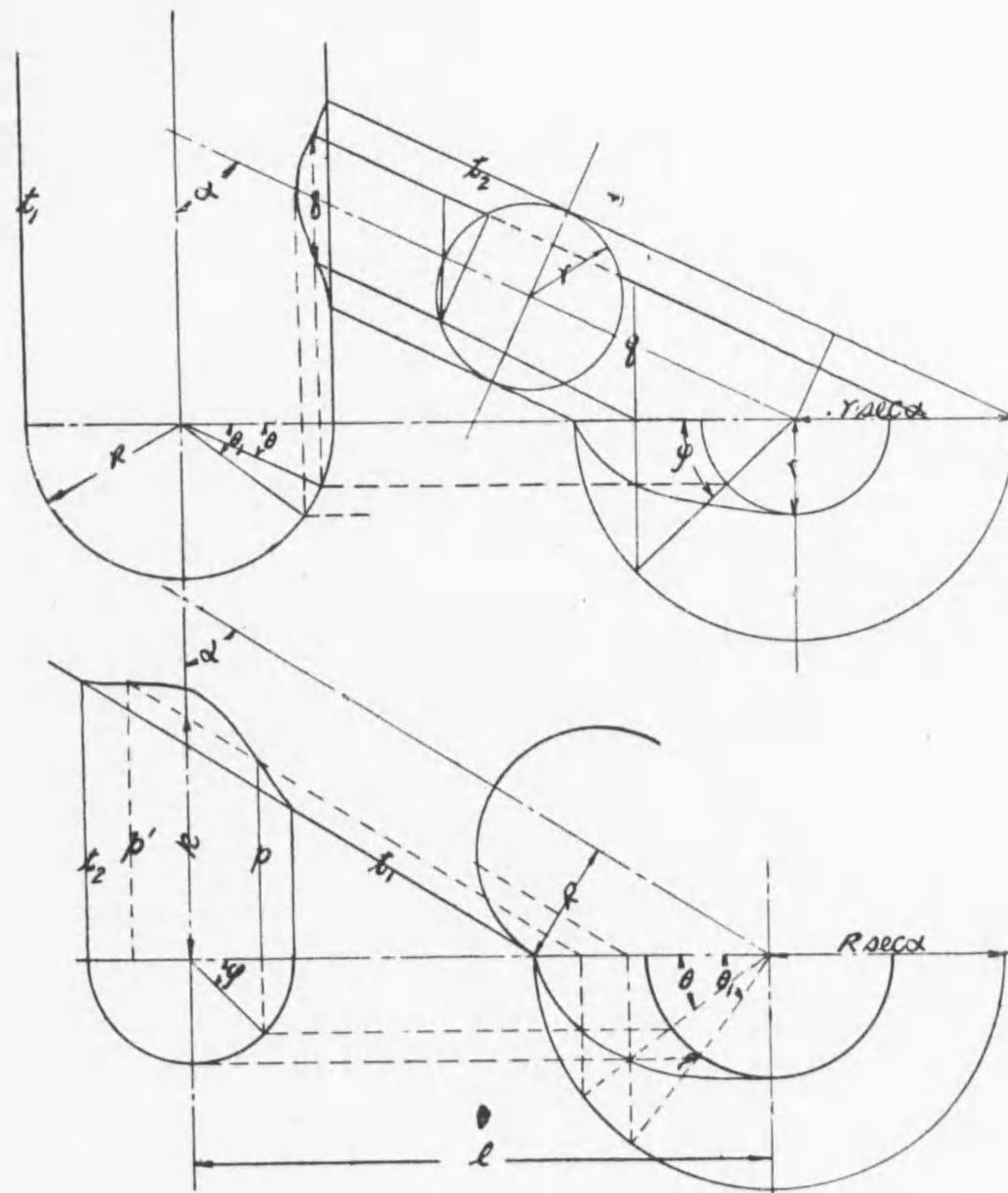
$$dA = (l - R \cos \theta) r d\theta$$

$$= r \left\{ l - R \sqrt{1 - \left(\frac{l - R \cos \varphi}{R} \right)^2} \right\} d\varphi$$

$$A = 2r \int_0^\pi \left\{ l - R \sqrt{1 - \left(\frac{l - R \cos \varphi}{R} \right)^2} \right\} d\varphi$$

$$C = W_2 - W_1$$

若シクハ $= W_2' - W_1'$



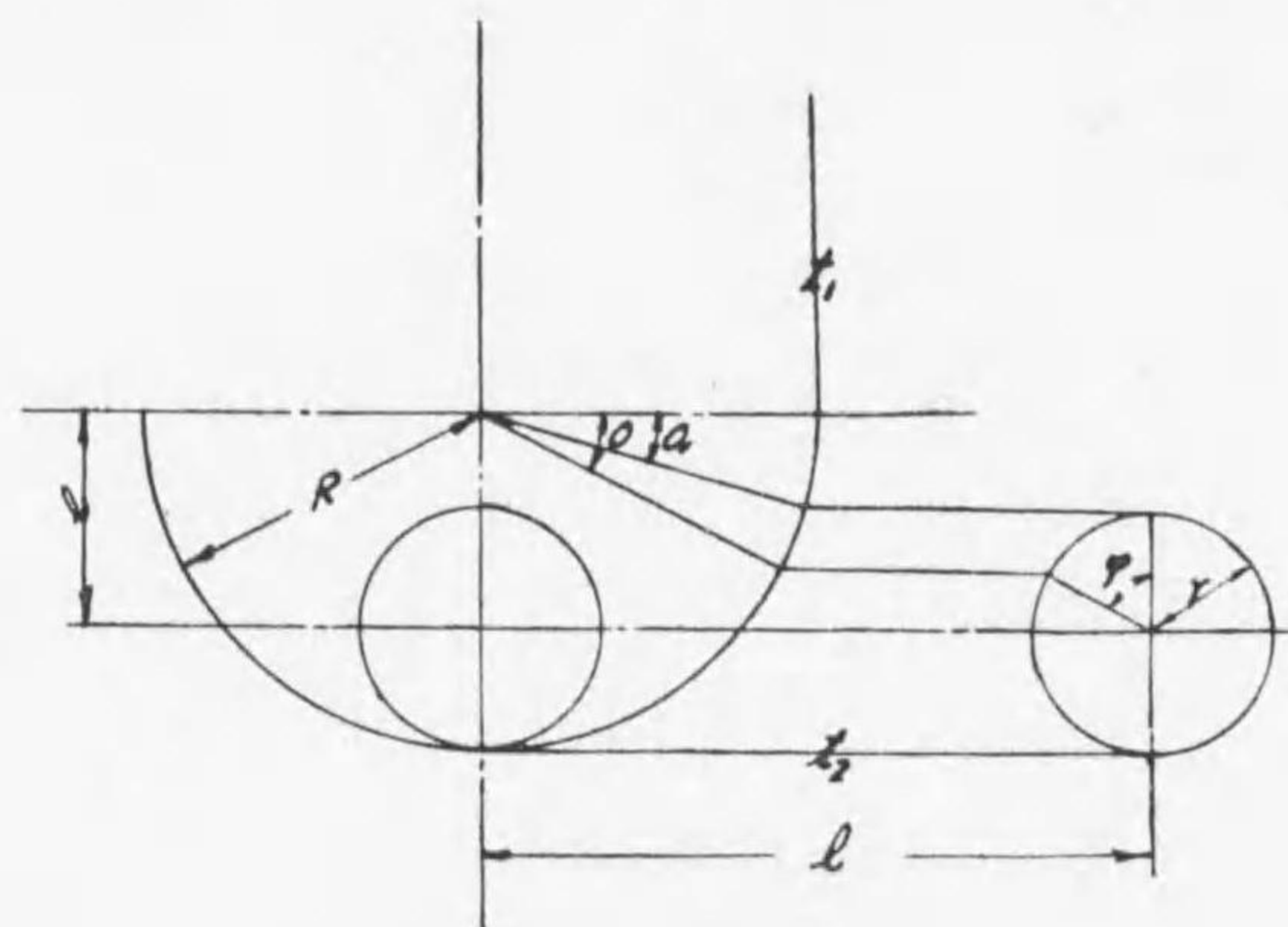
第三項 中心線ノ方向ハ互ニ直角ヲナストモ交ハラサルモノ

本管ヨリ差引カルヘキモノ

$$dA = 2rR \sin \varphi d\theta$$

$$R \sin \theta = l - R \cos \varphi$$

$$\therefore dA = 2r^2 \frac{\sin^2 \varphi}{\sqrt{1 - \left(\frac{l - R \cos \varphi}{R} \right)^2}} d\varphi$$



第五節 船手ノ部分

以上述へタルカ如キモノ以外ニ突縁及承口、挿口アリソレ等ニ關シテハ次ノ如キ方法ヲ取レリ

第一項 突縁重量

總體トシテハ比較的複雑ナル形ヲ有スルモノナレトモ之レヲ圖ノ如ク分テテ考フルトキハ各部分カ簡單ナル形ヲ取ルタメニ部分部分ニ就キテ計算シソノ結果ヲ合算セリ然シテ全部分カ中心線ヲ軸トシテ廻轉セルモノト考ヘラル所謂廻轉體ノ體積ナルカ故ニ斷面積ト中心線ト斷面ノ重心トノ距離ヲ半徑トセル圓周トノ積ナルコトヲ根本條件トセリ

B = 對シテ

$$V_B = \frac{\pi}{12} (D+2d)(D-d)L$$

$$W_1 = \frac{\pi}{12} (D+2d)(D-d)Lw \dots\dots\dots(14)$$

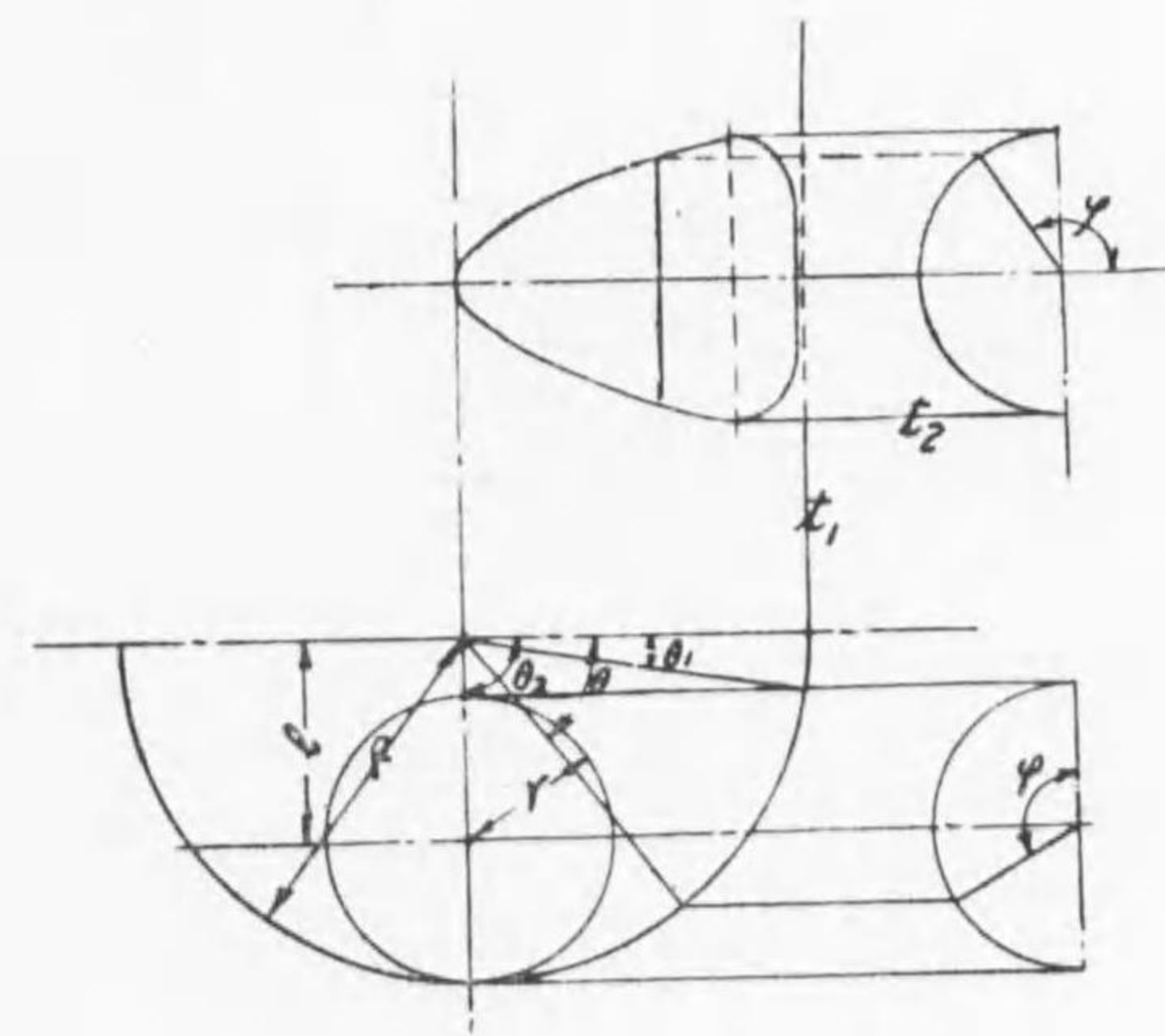
F, G = 對シテハ

$$W_2 = 2\pi \left(1 - \frac{\pi}{4}\right) (0.2233r + 0.5D)r^2 w \dots\dots\dots(15)$$

C, D, E = 對シテハ

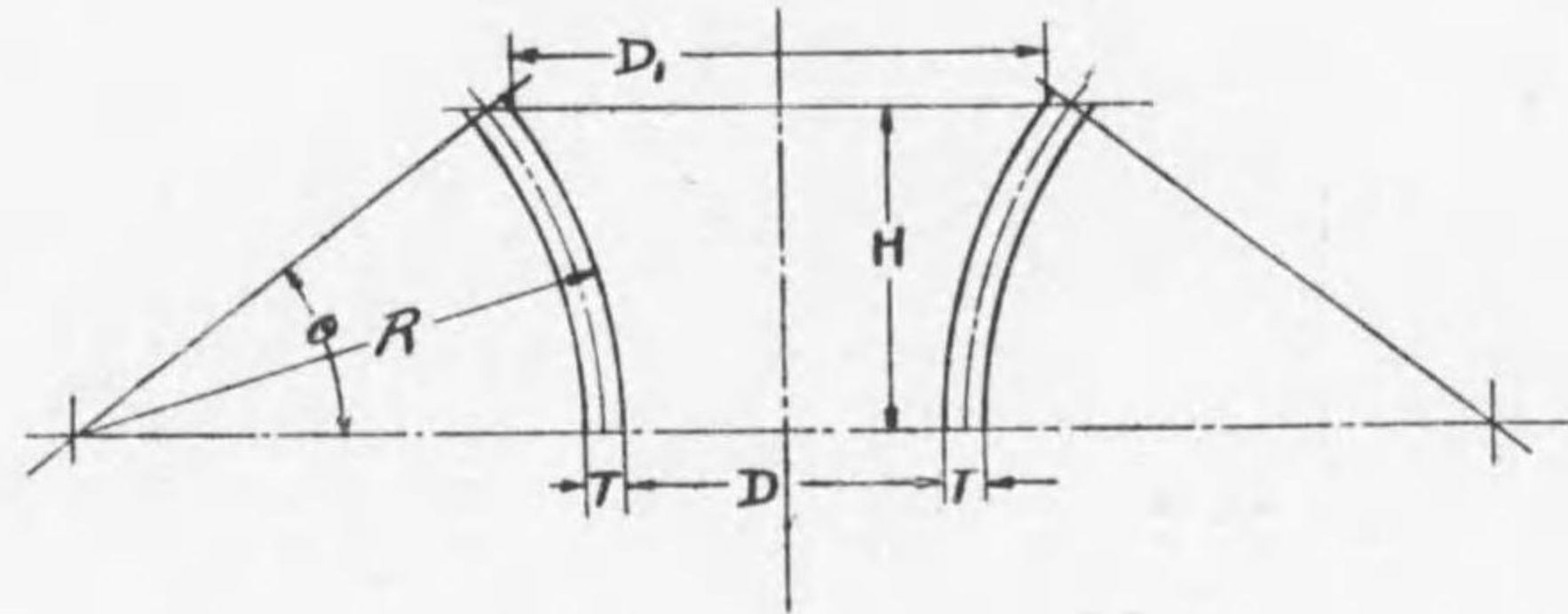
$$W_3 = \frac{\pi w}{4} L(D_0^2 - D_1^2) \dots\dots\dots(16)$$

$$\begin{aligned} &= 2\pi r l - 2Rr \int_0^{\pi} \sqrt{1 - \left(\frac{l - r \cos \varphi}{R}\right)^2} d\varphi \\ &= 2\pi r l - 4RrK \int_0^{\pi} \cos \frac{\varphi}{2} \sqrt{1 - K^2 \cos^2 \frac{\varphi}{2}} d\varphi \\ &= 2\pi r l - 8KRr \int_0^{\frac{\pi}{2}} \cos \psi \sqrt{1 - K^2 \cos^2 \psi} d\psi \\ &= 2\pi r l - 8KRr \int_0^1 \sqrt{1 - K^2(1-x^2)} dx \\ &= 2\pi r l - 8K^2 Rr \int_0^1 \sqrt{\left(\frac{1}{K^2} - 1\right) + x^2} dx \\ &= 2\pi r l - 4K^2 Rr \left[\frac{1}{K} + \frac{1}{2} \left(\frac{1}{K^2} - 1\right) \left\{ \log\left(\frac{1}{K} + 1\right) - \log\left(\frac{1}{K} - 1\right) \right\} \right] \\ V_2 &= 2\pi r l t_2 - 4K^2 Rr t_2 \left[\frac{1}{K} + \frac{1}{2} \left(\frac{1}{K^2} - 1\right) \left\{ \log\left(\frac{1}{K} + 1\right) - \log\left(\frac{1}{K} - 1\right) \right\} \right] \\ W_2 &= 2\pi r w l t_2 - 4r w^2 t_2 \left[\frac{1}{K} + \frac{1}{2} \left(\frac{1}{K^2} - 1\right) \left\{ \log\left(\frac{1}{K} + 1\right) - \log\left(\frac{1}{K} - 1\right) \right\} \right] \dots\dots\dots(13) \end{aligned}$$



第六節 鐘口

第一項 鐘口甲



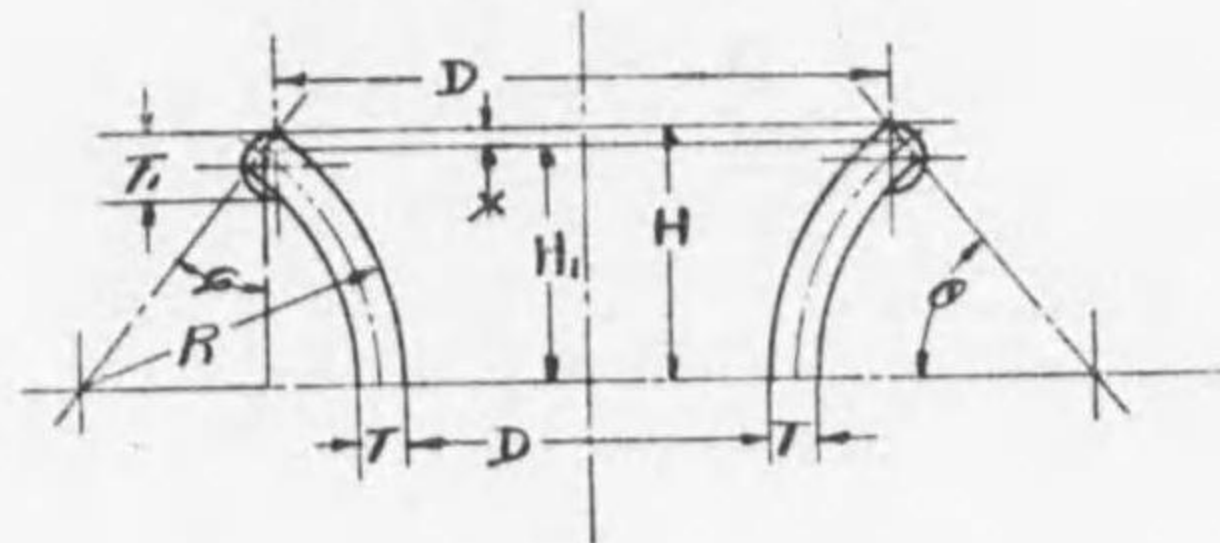
$$\sin\theta = \frac{H}{R - \frac{T}{2}}$$

$$A = \left(R - \frac{T}{2}\right)\theta T$$

$$V = A\pi \left\{ D + 2R - 2\left(R - \frac{T}{2}\right) \frac{\sin\theta}{\theta} \right\}$$

$$W = Vw$$

第二項 鐘口乙



$$\cos\phi = \frac{H}{R}$$

$$H_1 = \cos\phi \left(R - \frac{T}{2}\right)$$

$$\theta = 90^\circ - \phi$$

$$A = \left(R - \frac{T}{2}\right)\theta T$$

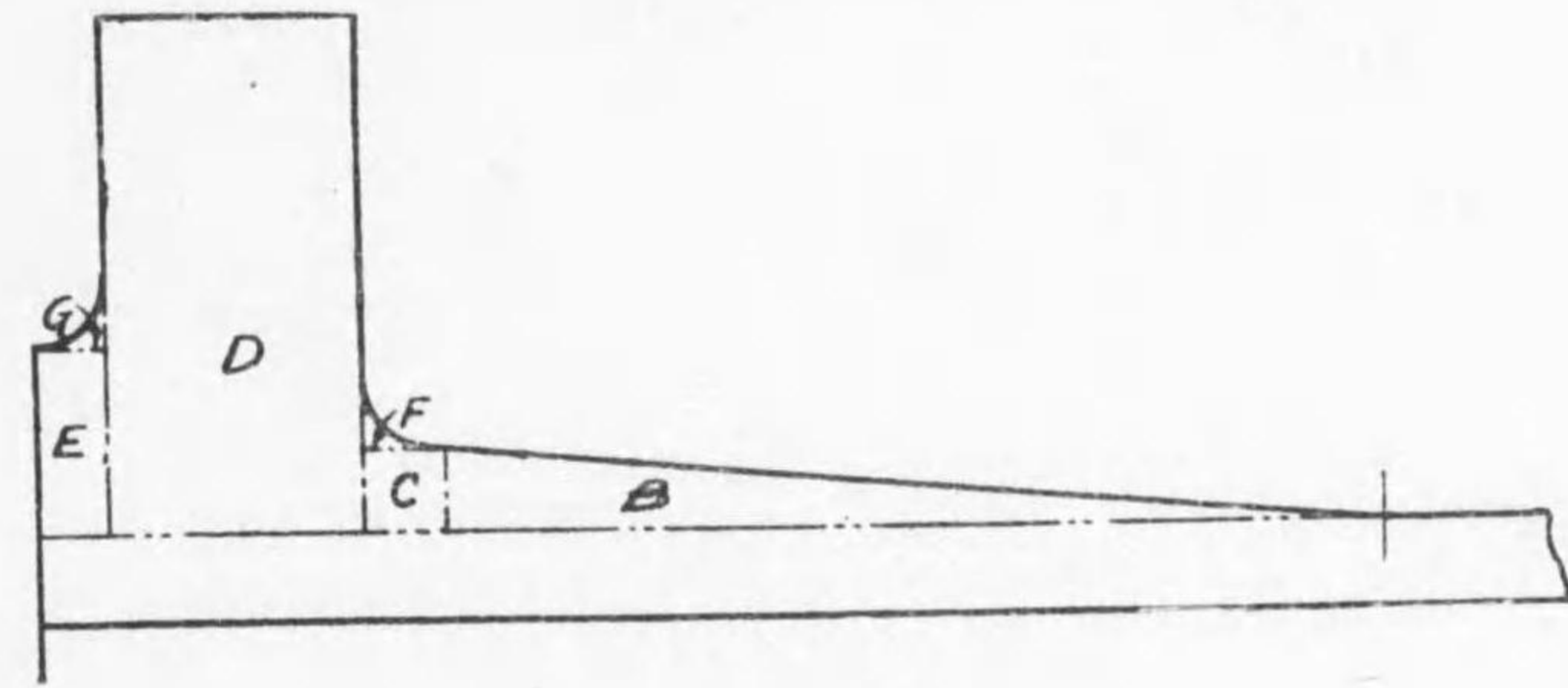
$$V = A\pi \left\{ D + 2R - 2\left(R - \frac{T}{2}\right) \frac{\sin\theta}{\theta} \right\}$$

$$W_1 = Vw$$

$$W_2 = \left\{ \frac{\pi T_1^2}{4} \times \frac{1}{2} \times \pi \left(\frac{4T_1}{3\pi} + D_1 \right) \right\} w$$

$$W = W_1 + W_2$$

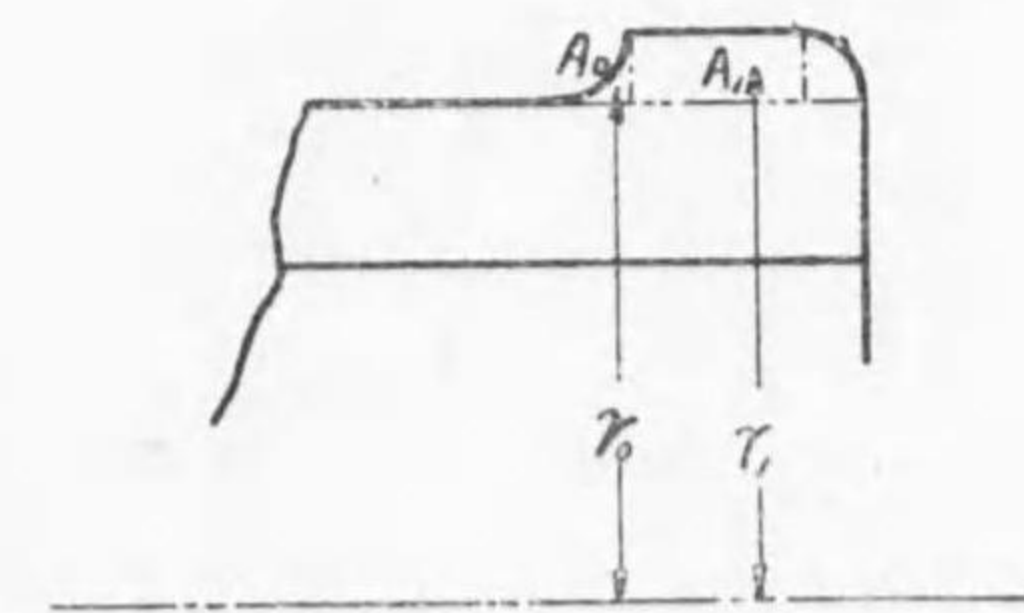
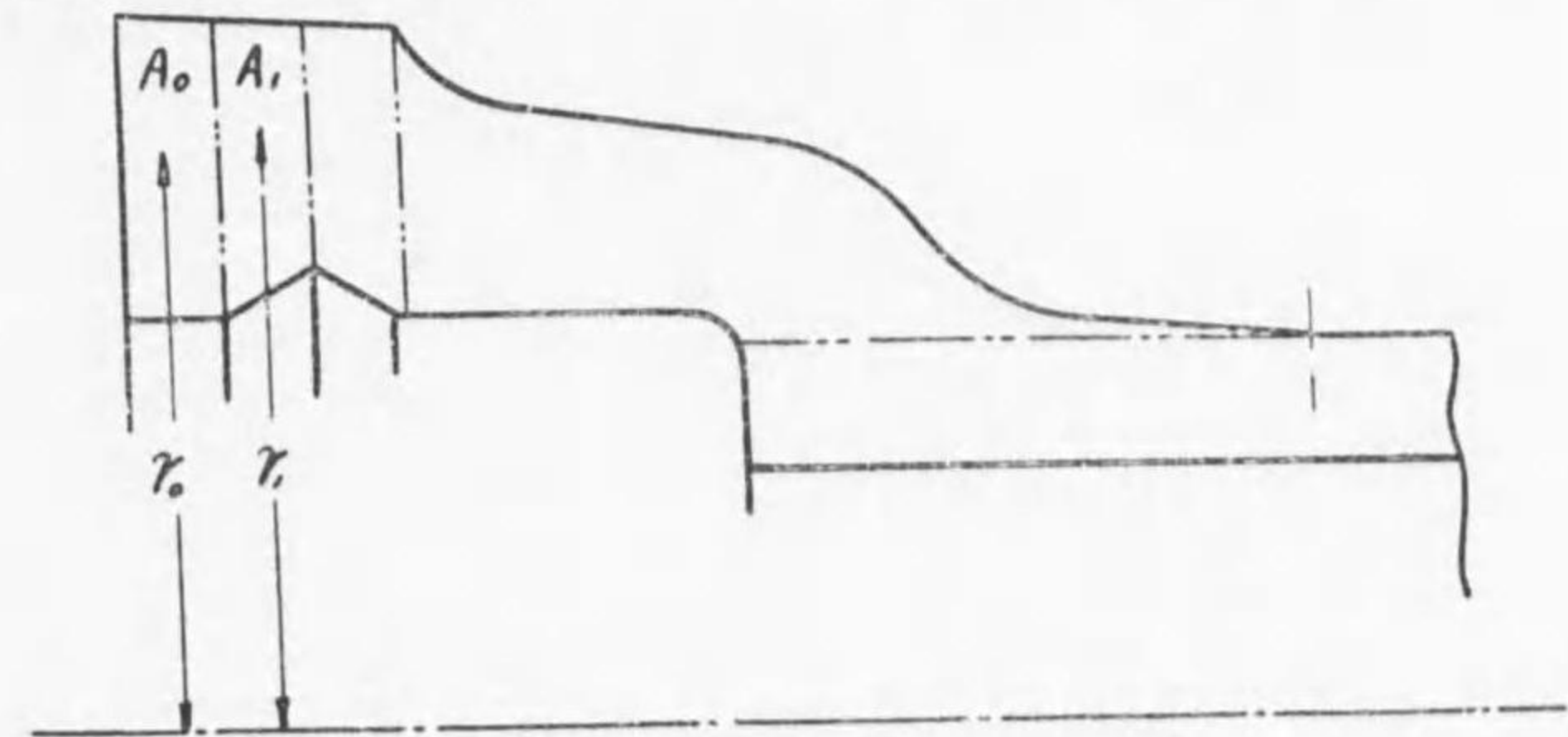
Dヨリハホールト孔ノ體積ヲ減スルモノトス



第二項 承口及挿口

圖式的ニ面積及ソノ重心ヲ求メ之レヲ次ノ如キ式ニ依リテ計算ス

$$W = 2\pi w (\Lambda_0 r_0 + \Lambda_1 r_1 + \dots) \dots \dots \dots (17)$$



大正十四年十二月六日印刷
大正十四年十二月十八日發行

(非賣品)

發行者 上水協議會

東京市京橋區鈴木町二番地

印刷者 石丸鶴吉

東京市京橋區鈴木町二番地

印刷所 東亞印刷株式會社

電話銀座 四八五二七

終