

DATE: 11-14-2017

JFK Assassination System
Identification Form

Date: 5/11/201

Agency Information

AGENCY : FBI
RECORD NUMBER : 124-90104-10221

RECORD SERIES : HQ

AGENCY FILE NUMBER : 92-2940-68

Document Information

ORIGINATOR : FBI
FROM : HQ
TO : PG

TITLE :

DATE : 05/15/1959
PAGES : 4

SUBJECTS :
SEBASTIAN JOHN LARocca

DOCUMENT TYPE : PAPER, TEXTUAL DOCUMENT
CLASSIFICATION : Unclassified
RESTRICTIONS : 1B
CURRENT STATUS : Redact
DATE OF LAST REVIEW : 07/31/1998

OPENING CRITERIA : INDEFINITE

COMMENTS : DATA; INC ENV

DATE: 11-14-2017

FEDERAL BUREAU OF INVESTIGATION
POSTPONEMENT INFORMATION SHEET (JFK MATERIALS)

3 Page(s) withheld entirely at this location in the file.
One or more of the following statements, where indicated,
explain this deletion (these deletions).

Deletions were made pursuant to the postponement rationale indicated below with no segregable material available for disclosure. All references relate to Section 6 of the "President John F. Kennedy Assassination" Records Collection Act of 1992."

Subsection 1A (intelligence agent's identity)

Subsection 1B (intelligence source or method)

Subsection 1C (other matter relating to military defense, intelligence operations or the conduct of foreign relations)

Subsection 2 (living person who provided confidential information)

Subsection 3 (unwarranted invasion of privacy)

Subsection 4 (cooperating individual or foreign government, currently requiring protection)

Subsection 5 (security or protective procedure, currently or expected to be utilized)

Information pertained to a matter unrelated to the JFK Assassination investigation.

For your information: _____

The following number is to be used for reference regarding this page (these pages):

92 - 2940 - 68 (enclosure)

XXXXXXXXXX
XXXXXXXXXX
XXXXXXXXXX

XXXXXXXXXX
XXXXXXXXXX
XXXXXXXXXX

DATE: 11-14-2017

RECORDED

87



MUTT

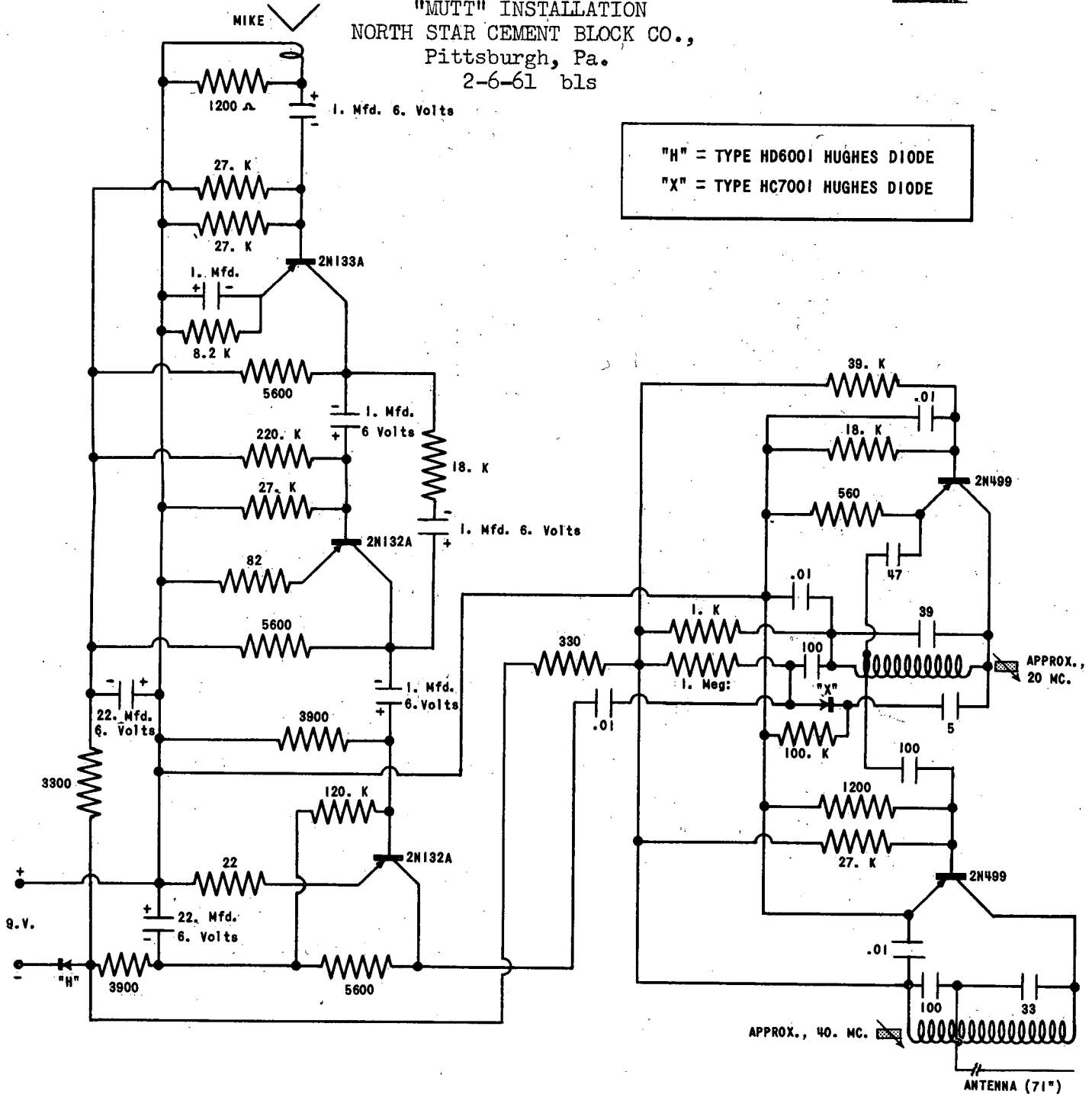
FM TRANSTORIZED TRANSMITTER

DESIGNED MAY 15, 1959

BY BLS

SEBASTIAN JOHN LA ROCCA, aka, A-R
"MUTT" INSTALLATION
NORTH STAR CEMENT BLOCK CO.,
Pittsburgh, Pa.
2-6-61 bls

JUNE

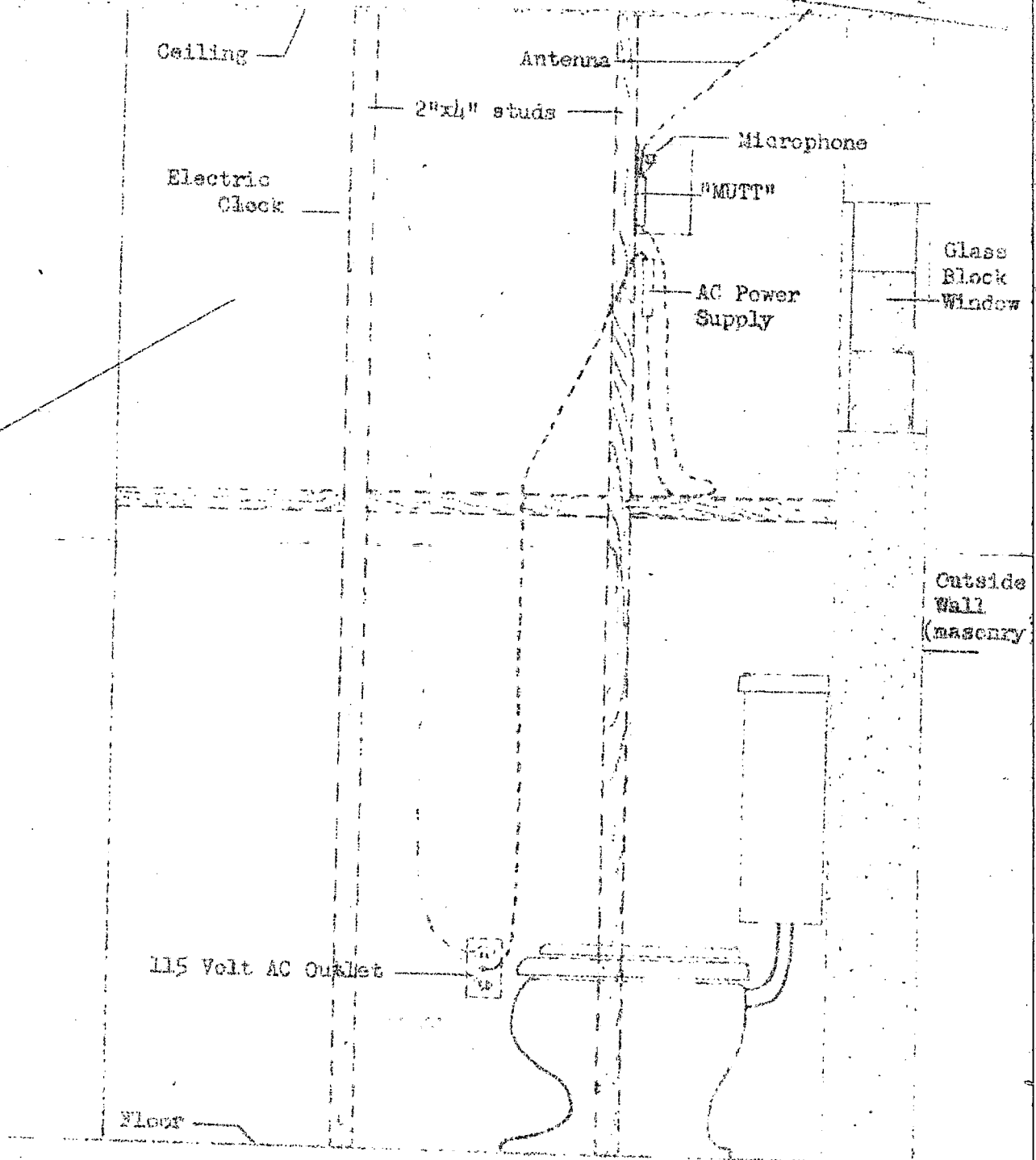


SEBASTIAN JOHN LA ROCCA, aka, ANTI-RACKETEERING
"MUTT" INSTALLATION
NORTH STAR CEMENT BLOCK CO., 12 McCandless Ave.,
Pittsburgh, Pa.

JUNE

2-6-61 bls

NOTE: This partition is between back office space
and toilet.



92-2920-68

SEBASTIAN JOHN LA ROCCA, aka, ANTI-RACKETEERING
"MUTT" INSTALLATION
NORTH STAR CEMENT BLOCK CO., 12 McCandless Ave.,
Pittsburgh, Pa.
2-6-61 bls

JUNE

Wastinghouse Plant Bldg.
Vega Receiver Installation
For Reception of
"MUTT" Signals
2-6-61 bls

