

FIG. 1B:

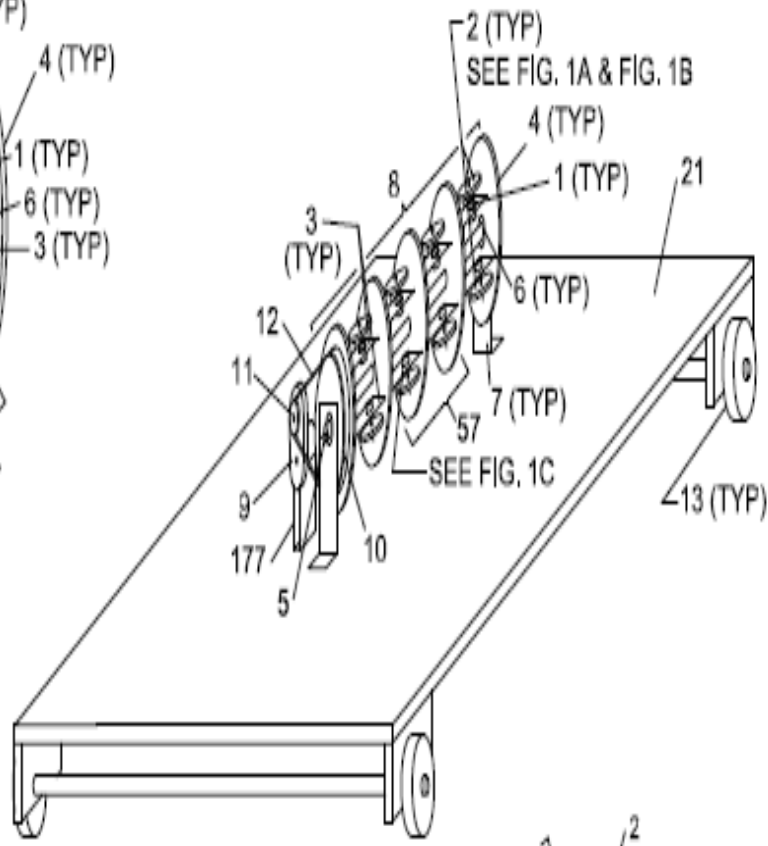


FIGURE 1
ISOMETRIC
(GYRO CART)

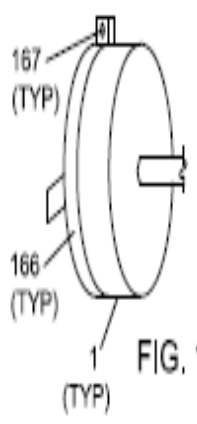


FIG. 1C:

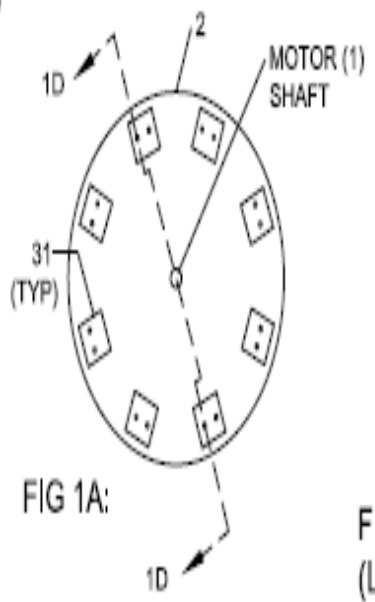


FIG 1A:

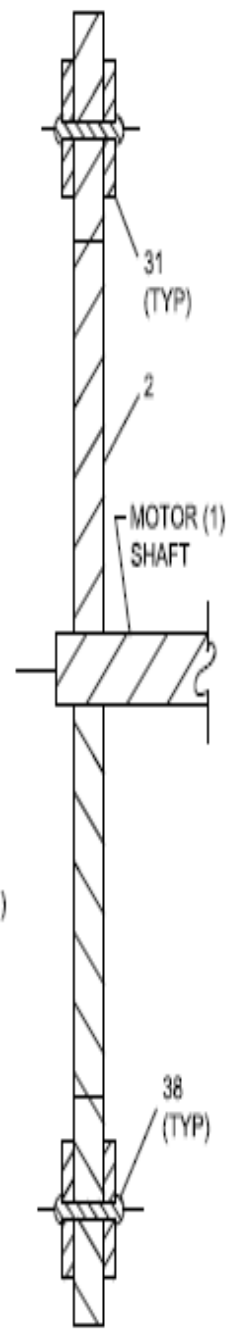


FIG. 1D: (PARTIAL)
(LARGER SCALE)