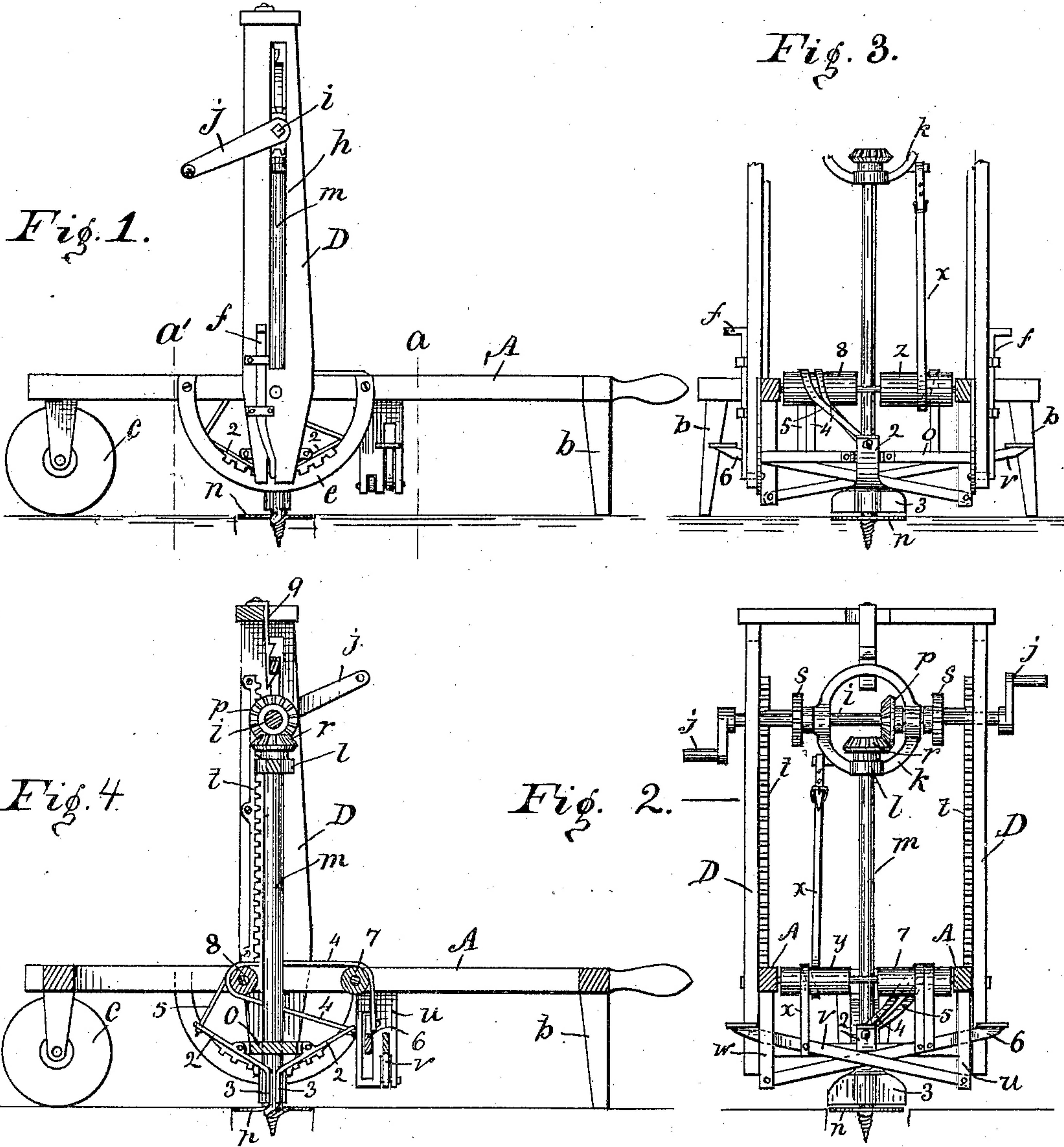


(No Model.)

J. R. LAMB.
POST HOLE BORING MACHINE.

No. 427,580.

Patented May 13, 1890.



Witnesses
V. M. Hood
Frank A. Jacob.

John R. Lamb, Inventor
By His Attorney
H. P. Hood,