

# 修理用參考線路圖

RADIO SERVICE MANUAL

第六集

亞美股份有限公司出版

*Published by*

AMATEURS HOME, LIMITED.

# 修理用参考线路图

(原名舶來品收音機线路圖)

贵州省  
中文圖書  
第000036

## RADIO SERVICE MANUAL

ETN/851-14  
1-2  
6

15.10.103a  
2  
6

### 目 錄

Model	第集	第頁
Acratone 見 Federated Radio Co.		
Acratest 見 Federated Radio Co.		
Admiral "Aeroscope"		
Model	第集	第頁
161-5L, 162-5L & 163-5L, Midget Sets 5		401
Airline 見 Montgomery Ward		
Air King		
51 & 52 ... ..	2	101
76 ... ..	6	501
101-102 ... ..	1	83
250 ... ..	4	301
261 ... ..	4	302
Atlas ... ..	4	303
6E ... ..	5	402
Allied Radio Corp.		
52 & F9685 ... ..	5	403
G9505 ... ..	3	201
633, G-9533 ... ..	4	304
9863 ... ..	4	305
G9875-6 (Auto Set) (汽車式) ... ..	3	202
H9805 ... ..	3	208
W-G9575, G-9595, G-9601, G-9605	5	404
E10716 Knight ... ..	5	405
Atwater Kent		
55 & 55 C (舊式) ... ..	1	1
55 & 55 C (新式) ... ..	1	2
86 & 86 F ... ..	1	3
90, 90.F ... ..	1	64
155 3rd Type ... ..	1	4
145, 325 ... ..	4	306
206, 376 (2 Type) ... ..	4	307
246 ... ..	2	102
286 & 356 ... ..	3	204
328, 328X ... ..	5	406
649 ... ..	3	205
856 & 976 ... ..	6	502
Audiola Radio Co.		
23-S-8 No. 8933 ... ..	1	65
23-S-8 No. 62332 ... ..	1	66
53 ... ..	1	67
Automatic Radio Mfg. Co.,		
B-30 Series 1 ... ..	6	503
S6 ... ..	5	407
P-57, P-58 ... ..	5	408
Balkett Radio Co.		
D5 ... ..	3	206
55 ... ..	2	103
100 ... ..	2	104

Model	第集	第頁
Belmont Radio Co.		
Model	第集	第頁
5 Tube AC Series A 62-147, 62-156, 62-164 ... ..	2	105
5 Tube AC Series C 62-147X, 62-156X, 62-164X ... ..	2	106
444 ... ..	6	504
578 (173250A Before) ... ..	3	207
578 (173250A & Up) ... ..	3	208
750 ... ..	3	209
544 & 545 ... ..	5	409
588 (No. 7D569, 700 Up) ... ..	5	410
602 ... ..	5	411
690 ... ..	5	412
Canadian Westinghouse 見 Westinghouse		
Chas. Hoodwin		
Aero Pentode Transmitter ... ..	1	5
5 Tube Midget Model ... ..	2	107
6 Tube A.C. ... ..	1	69
Champion Radio Corp.		
600 (Auto Set) ... ..	5	413
Clarion		
TC-6 ... ..	3	215
A.C. 240 ... ..	1	70
A.C. 260 ... ..	2	110
A.C. 300 ... ..	1	71
A.C. 340 ... ..	2	111
423 ... ..	1	6
470-471-472 ... ..	1	7
480 ... ..	1	72
Climax & Tel Co.		
ABX ... ..	5	414
Mebt ... ..	6	505
Colln B Kennedy		
52 ... ..	4	310
66, 66-A ... ..	4	311
66B ... ..	1	18
266-B, 366-B ... ..	2	108
Colonial Radio Corp.		
250, 279, 300, 301 AC ... ..	4	308
C-595 ... ..	3	216
600 ... ..	1	73
700, 701, 702 AC ... ..	4	309
Columbia Phone Radio Co.		
80 A ... ..	2	109

**Continental Radio & Television**

Model	第集	第頁
A1 ... ..	6	506
B1 Series B125 ... ..	5	415
B2 Series B225 ... ..	5	416
M1 ... ..	3	219
L5 ... ..	3	217
L6 ... ..	3	218
5M ... ..	6	507
Z38 & Z344 ... ..	4	312

**Crane Radio Co.**

P. 16520 UP. ... ..	5	417
---------------------	---	-----

**Crosley Radio Corp.**

48 ... ..	2	112
59 ... ..	1	8
5V2 ... ..	3	220
129, 129-1 ... ..	2	113
132-1 ... ..	3	221
135 ... ..	4	313
137 ... ..	3	222
141 ... ..	2	115
148 ... ..	2	114
506 & C-516 ... ..	5	418
525 & 505 ... ..	3	223
526, 5526 ... ..	5	419
534 ... ..	4	314
555 ... ..	2	116
634, 649, 656 & 5656 ... ..	6	508
635 ... ..	5	420

**Detrola Radio, Corp.**

6ZM-7ZM ... ..	5	421
109 ... ..	5	422
110 ... ..	5	423
5X ... ..	4	315
6W ... ..	4	316
117 ... ..	6	509
147 ... ..	6	510

**De Wald Radio Co.**

620 & 620LW ... ..	6	511
--------------------	---	-----

**Earl**

21 ... ..	1	9
-----------	---	---

**Echophone Radio Corp.**

12 & 38... ..	3	224
14 ... ..	2	117
40 ... ..	1	10
50 ... ..	3	225
1731 ... ..	2	118
1800 ... ..	2	119
7124 ... ..	1	74

**Emerson Radio Co.**

J ... ..	1	11
U4C (交直流兩用式) ... ..	3	226
D-S5-39-59 ... ..	2	120
M-AC-7 ... ..	2	121
5A ... ..	5	424
23 ... ..	2	122
26 ... ..	2	123
28 ... ..	1	75
34C & 101 ... ..	3	227
35 ... ..	4	317
36 ... ..	3	228

**Emerson Radio Co.**

Model	第集	第頁
AW55 ... ..	2	124
AD-108, AD-110 & AD-125 ... ..	6	512
71-770 ... ..	2	125
107, 114 ... ..	3	229
108-110 (交直流兩用式) ... ..	3	230
109 (交直流兩用式) ... ..	3	231
K116, K121, K123 ... ..	4	318
117 ... ..	3	232
117LW, L117LW, L122LW, L133LW, L185LW, L141LW	3	233
118 (交直流兩用式) ... ..	3	284
AX-211, AX-212, AX-217, AX-235, AX-237, AX-238, AX-239, AX-240	5	425
A130-A132 (交直流兩用式) ... ..	3	235
H130 & H137 ... ..	6	513
B131 Chassis B. ... ..	4	310
R-152, R-153, R-156, R-158 ... ..	6	514
375-LW (交直流兩用式) ... ..	3	236
415, 416 (交直流兩用式) ... ..	3	237
755-50 L ... ..	2	126
M-755, 50M ... ..	3	239
S-755, S-50 ... ..	3	240

**Empire Electrical Co.**

500AC ... ..	3	238
--------------	---	-----

**Fada Radio Co.**

131, 132 (RU) (交直流兩用式) ... ..	2	127
150-A ... ..	6	515
155 ... ..	1	76
156 & 159 ... ..	6	516
160 X-Y-Z ... ..	4	320
170 X-Y-Z ... ..	4	321
190 ... ..	2	128
250 ... ..	5	426
270 ... ..	4	322
1452 ... ..	3	241

**Fairbanks Morse Co.**

5A ... ..	5	427
5B ... ..	5	428
5C & 6A ... ..	6	517
51 ... ..	5	429
52 ... ..	5	430
53, 5312, 5312A & 5341 "Chassis 53"	5	431
57TO ... ..	5	432
58T1-58T2-58C1-Chassis 58 ... ..	6	518
68 ... ..	5	433
72-72T3-72C2 & 72C3 ... ..	4	323
90 ... ..	2	129
91 ... ..	2	130
91-91T4-91C4 & 91C5 ... ..	6	519
4015 (D.C. Set) (直流式) ... ..	3	242
5619-5645 ... ..	3	243
6616-6645 ... ..	4	324

**Federated Radio Co.**

6A, 12A, (480) ... ..	2	131
7B Revised & 7C ... ..	5	434
8B, 9B, 11B ... ..	4	325

**Fordson Radio**

P-(173501) (直流式) ... ..	2	132
6T ... ..	2	133
6TA ... ..	2	134

### Franklin Radio

Model	第集	第頁
65VL ... ..	4	326

### Garod Radio Co.

49M ... ..	4	327
250 ... ..	5	435
520 ... ..	4	323

### General Electric Co.

C-30 (見 RCA 91-B)		
K-43 (見 RCA 100)		
K-50 (見 RCA R-28P)		
K-52 (見 RCA 110)		
K-63 (見 RCA 120)		
L-50 (見 RCA R-22)		
M-41 ... ..	1	77
M-61 (見 RCA 128)		
S-22 (見 RCA R7)		

A-52 & A-55 ... ..	3	244
B-52 ... ..	1	12
GA-62 ... ..	5	437

GB-400 Battery Portable ... ..	5	439
M-50 & M-55 ... ..	6	520
GD52 ... ..	4	329
A-53 ... ..	4	330

F53 ... ..	4	331
A54, (AC DC) ... ..	2	135
M-62-M655 ... ..	4	332
A-63 & A-65 ... ..	3	245

F-63, F-65 & F-66 ... ..	6	521
M-68 ... ..	1	78
A64 & A67 ... ..	3	246
E61, E62-E68 ... ..	5	436

M65 ... ..	2	136
J-72 ... ..	3	247
J-75 (見 RCA R4) ... ..		
J-87 ... ..	5	438

A82, A87 & Metal Tube All Wave AC	2	137
J-82-86-88 ... ..	1	79
A83, A85 ... ..	2	138
560 ... ..	5	440

H-639 A.C. & H-639 D.C. (交直流式)	6	522
6C-660-661-662 ... ..	5	441

General Household Co.		
5H & 532 ... ..	6	523
5J & 542 ... ..	4	334
5L, 555 & 572 ... ..	6	524

5M & 590 ... ..	6	525
5Q & 573 ... ..	4	333
5R & 564 ... ..	6	526
6D-670-671 ... ..	6	527

6M, 631 & 643 ... ..	6	528
450, 451 ... ..	4	335
470 ... ..	3	248
500 ... ..	2	139

570, 571, 570X, 570Z, 571Z ... ..	4	336
580-581 ... ..	3	249
640-641 ... ..	4	337
650-651 ... ..	4	338

680-681 ... ..	4	339
760-761 ... ..	4	340
1541 ... ..	4	341

Gilfillan Radio		
32, 35-41 ... ..	2	140

Gilfillan Bros., Inc.		
52A, 54A ... ..	3	250
62B-X ... ..	2	141
78B, 78X ... ..	4	342
96B, 96X & 97B-97X ... ..	4	343
510 ... ..	3	251

### Grigsby Grunow Co. 見 Majestic

### Gulbransen Co.

Model	第集	第頁
23 ... ..	1	15
322 ... ..	3	253

### Halsen Radio Mfg. Co.

50X ... ..	5	442
580 ... ..	4	344
536 ... ..	6	529

### Hammarlund Mfg. Co.

"Comet Pro" (Standard Model) ... ..	3	254
Comet Pro July 1932 Type ... ..	3	255
October 1932 Type ... ..	3	256

### Herbert H. Horn Radio Co.

7MT ... ..	3	257
21, 25 ... ..	2	142
66MT ... ..	3	258
537 & 538 ... ..	6	530

### Howard Radio Co.

HA-4 (汽車式) ... ..	3	259
B-13 ... ..	5	443
308APC, 308C, 308TT ... ..	6	531

### International Radio Co.

DAC-A7-BW-CD. ... ..	6	532
ES25 ... ..	6	538
F (JR) (第一式, 第二式) (AC DC) ... ..	2	143
F (JR) (第三式, 第四式) (AC DC) ... ..	2	144
K60 (Auto Set) (汽車式) ... ..	2	145

35 ... ..	5	444
36 ... ..	6	534
52 ... ..	5	445
70 ... ..	4	345

72 ... ..	4	346
105 & 1050 ... ..	3	260
120, 1200, 2200 ... ..	5	446

### Jackson Bell Co.

4 ... ..	1	23
25 ... ..	1	24
25 ... ..	5	447
25UV-25AV ... ..	5	448
84 ... ..	1	25
89 ... ..	1	16
89A ... ..	1	17

### Kedette 見 International Radio Co.

### Kennedy 見 Colin B Kennedy

### Kingston Radio

500 ... ..	1	80
600AB, 610 ... ..	2	146
700AB ... ..	2	147

### Knight Radio 見 Allied Radio Corp.

### Kolster Radio Inc.

130-132 ... ..	2	148
K165 ... ..	1	81

### Lafayette Radio Co.

D-13 ... ..	5	449
A-15 ... ..	5	450
A-77 ... ..	5	451
J-29 ... ..	6	535

**Majestic Radio**

Model	第集	第頁
10 ... ..	1	13
15 ... ..	1	14
20 ... ..	1	19
21, 22, 23 ... ..	1	20
44-49-194-440 ... ..	2	149
55 ... ..	3	261
75-76-750 ... ..	5	452
85, 86, 850 ... ..	4	347
116 (Auto Set) (汽車式) ... ..	2	150
163 ... ..	1	21
200 ... ..	2	151
220 ... ..	3	252
290 ... ..	6	536
310A ... ..	2	152
340 ... ..	3	262
370 ... ..	2	153
400A, 411A, 413A (交直流兩用式) ... ..	2	154
460 ... ..	1	22
461-3, 67-68 & 69 ... ..	2	155
520 (DC) ... ..	2	156
570 ... ..	4	348
600 (交直流兩用式) ... ..	3	263
620 ... ..	5	453
800 ... ..	6	537
1050 ... ..	6	538

**Midwest Radio**

AC-6 (1933) ... ..	3	264
AC-9 ISG 27 Type ... ..	2	157
AC-10 ... ..	2	158
10-34 ... ..	6	539
16-1932-3 ... ..	2	159
18-36 ... ..	3	265
35 S.W. ... ..	4	349
Royale ... ..	4	350

**Montgomery Ward**

Series 7 GM ... ..	2	160
62-53, 62-74, 62-74X & 62-71 ... ..	4	351
62-76 ... ..	2	161
62-97, 99 ... ..	2	162
62-101, X ... ..	2	163
62-103, 105 ... ..	2	164
62-106, 107 ... ..	2	165
62-134, 62-139, 62-134X & 62-139X ... ..	6	540
62-140-148 ... ..	1	82
62-147, 156, 164 ... ..	3	266
62-166 (汽車式) ... ..	3	267
62-198 ... ..	4	352
62-267 & 62-277 ... ..	6	541
62-307 & 62-407 ... ..	6	542
62-360, 367 ... ..	2	166

**National Radio**

FBX & FBXA ... ..	2	167
Noblitt Sparks ... ..		
41 ... ..	4	353

**Patterson Radio**

PR-10 ... ..	3	268
70, 107, 207, 210 AW ... ..	2	168
80, 84, 50 AW ... ..	2	169
85, 185, 285, 385 AW-A ... ..	3	269
60AW & 64AW ... ..	4	354
106-AW, 1106-AW, 2106-AW, 3106-AW 5/680 ... ..	5	454

**Peter Pan 見 Jackson Bell Co.****Philco Radio Corp.**

Model	第集	第頁
16 ... ..	4	355
18 ... ..	2	170
19 "CODE 128" ... ..	6	543
29 ... ..	2	171
37, 84 "CODE 122" ... ..	6	544
37-89 ... ..	5	455
39-80 ... ..	5	456
40-120, 40-125 ... ..	5	457
44 ... ..	4	356
51-51-A ... ..	1	83
53 ... ..	1	26
57 ... ..	1	84
60 ... ..	1	85
66 ... ..	1	86
70-70-A ... ..	2	172
89 & 19 ... ..	1	27
101 ... ..	5	458
116-B ... ..	5	459
505 ... ..	4	357
507 ... ..	4	350
600 ... ..	3	278
602 ... ..	4	359
604 ... ..	4	360
610 ... ..	4	361
641 ... ..	6	545

**Phillips Radio Corp.**

522A ... ..	2	173
"Matador" (5 Tubes) ... ..	5	460

**Pierce Airo Corp.**

510 ... ..	5	461
520 ... ..	5	462
523SW ... ..	5	463
525 ... ..	5	464
610, 610-LW ... ..	5	465
611-611-LW ... ..	5	466

**Pilot Radio Corp.**

5 Tube T.R.F. ... ..	1	28
H-11 ... ..	5	467
X-41 ... ..	6	546
43 ... ..	3	271
63 ... ..	4	362
68-69 ... ..	4	363
92-93 (交直流兩用式) ... ..	3	272
103 ... ..	2	174
"Super Wasp" K-110 ... ..	1	29
"Super Wasp" AC 115 ... ..	2	175
K117 ... ..	2	176

S155, C157, 155A, 155B, S155F, C157B, C157F ... ..	1	30
C157A.B.F., S157A.B.F. ... ..	4	364
183 & 185 ... ..	3	273
T-1452 ... ..	5	468
294 ... ..	6	547
M-2203 & M-2205 ... ..	6	548

**Radio Chassis, Inc. (即 RCI)**

LSA 37 ... ..	1	87
Hoar 48 ... ..	1	88

**Radio Product Corp.**

Chassis ... ..	4	365
----------------	---	-----

### Radolek

Model	第集	第頁
10,943 ... ..	6	549
K16 & 756 ... ..	6	550
K16,773 & K16,774 ... ..	6	551
K16740 ... ..	5	469
K16747 ... ..	4	366
<b>RCA</b>		
R8 C (DC) (直流式) ... ..	2	178
R-4 & R-6, ... ..	1	37
4X, 4X3 & 4X4 (交直流兩用式) ... ..	3	274
T4-8A, T4-9A ... ..	3	275
4T ... ..	4	367
5Q1 ... ..	5	470
5Q2 ... ..	5	471
5Q5, 5Q55, 5Q56 & 6Q7 ... ..	6	552
R-5 ... ..	1	38
T5-2 ... ..	2	179
5T ... ..	3	276
5T5 ... ..	3	277
5T1 ... ..	4	368
5X5 ... ..	5	472
5T6, 5T7, 5T8 ... ..	4	369
5 Tube 220V. (AC DC) "Superhet Model" (交直流兩用式) ... ..	2	177
T6-1, C6-2 ... ..	3	278
BT-6-3, BC-6-4, BT-6-10 (D.C. Set) (直流式) ... ..	3	279
BT-42 & Console Model BK-42 (Chassis No. RC-408A) ... ..	6	553
6Q1 ... ..	6	554
6Q4, 7Q4 ... ..	6	555
6T ... ..	4	370
H6 (Auto Set) (汽車式) ... ..	4	371
T6-7, C6-8 ... ..	4	372
T6-11 & C6-12 ... ..	3	280
T7-12 & C7-14 ... ..	6	556
R-7A ... ..	1	39
7U ... ..	3	281
R-8, R-12 ... ..	1	40
Psu 8A, 8B, 8C, 10A, 10B & 10C A.C. (Power Supply Units) Psu 8E & 10E D.C. (Power Supply Units) ... ..	6	557
8Q1 ... ..	6	558
8Q2, 8QU5C & 8QU5M ... ..	6	559
8Q4 ... ..	6	560
9 Tube All Wave Set ... ..	3	287
9SX-1—9SX-8... ..	5	473
9TX-1-5 ... ..	5	474
9T & 9K2 ... ..	3	282
T10-1 ... ..	4	373
T11-8 ... ..	2	180
17 ... ..	1	41
18 (直流電源式) ... ..	1	31
18 (交流式) ... ..	1	32
RE-19 ... ..	1	42
21 & 22 ... ..	1	33
RO-23 (甲) ... ..	1	34
RO-23 (乙) ... ..	1	35
R10 ... ..	6	561
R-24 & SW-3 ... ..	1	43

### RCA

Model	第集	第頁
R-27 ... ..	2	181
R-28 ... ..	1	44
R-31 ... ..	1	45
R-32, R-42, RE-45 & RE-75 (甲)... ..	1	46
R-32, R-42, RE-45 & RE-75 (乙)... ..	1	47
R-35, R-39, RE-57 ... ..	1	48
45X11, 45X12, 45X13 (Chassis No. RC-4594) ... ..	6	562
46X1, 46X2 & 46X3 ... ..	6	563
46X11, 46X12 & 46X13 ... ..	6	564
R-50 & 55 ... ..	3	283
64 ... ..	1	36
67 (上) ... ..	1	89
67 (下) ... ..	1	90
R-70 ... ..	2	182
R-71 & R-72 ... ..	1	49
R-73 ... ..	1	50
RE-81 ... ..	1	51
85T ... ..	5	475
85T1 ... ..	5	476
86T3 & 87T1 ... ..	6	565
94BP4 Battery Loop-Portable 94X ... ..	5	477
94BK1 & 94BT1 ... ..	6	566
94BK2 & 94BT2 ... ..	6	567
95T ... ..	6	568
95X & 95XL ... ..	6	569
95X1 ... ..	6	570
95X11 ... ..	8	571
96K2, 96T3, 97E, 97KG, 97T 96X-1-2-3-4 & 11-12-13 14 ... ..	6	572
99K, 99T ... ..	6	573
100-101 ... ..	6	574
U-101 & U-103 ... ..	2	183
103 ... ..	6	576
110 & 111 ... ..	3	284
110, 111, 115 ... ..	1	52
112 (AC DC) (交直流兩用式) ... ..	1	91
117, 214 ... ..	2	184
118 & 211 ... ..	3	285
119 ... ..	1	92
U-119, U-122E, U-123 ... ..	4	374
120 ... ..	6	577
121, 122 ... ..	1	53
125, 225 ... ..	1	54
126B (DC) (直流式) ... ..	4	375
128 & 224 ... ..	2	185
140, 141, 141E, 240, AVR-1 ... ..	1	93
143-242-243 ... ..	5	478
210 ... ..	3	286
220, 222 ... ..	1	94
221 ... ..	2	186
330 ... ..	2	187
<b>Remler</b>		
21 ... ..	1	56
"Norco" 4 Superhet ... ..	5	479
15C ... ..	5	480
21-4 ... ..	5	481
28 "Scottie" (Serial No. 77039 UP) 46 "Scottie" ... ..	6	578
52 ... ..	5	482
60 ... ..	5	483
64 ... ..	5	484
178 ... ..	5	485
...	5	486

### Sear Roebuck Co.

Model	第集	第頁
1802-3 ...	1	95
1907, 1939, 1957 ...	5	487
4606, 4607, 4626, 4627, 4636, 4637 4646, 4647, 4726 & 4746 ...	6	579
6110, 6111 ...	4	376
<b>Silvertone</b>		
1320-1322-1324 ...	1	57
<b>Simplex</b>		
N ...	2	188

### Sparks Withington (即 Sparton)

57 (AC DC) (交直流兩用式) ...	2	189
58 (D.C. Set) (直流式) ...	3	288
71 & 71B ...	2	190
72 ...	2	191
80, 83, 84, 85X & 86X ...	6	580
82 (D.C. Set) (直流式) ...	2	289
251 & 252 ...	4	377
367 ...	5	488
417X ...	6	581
427X, 437X, 457X ...	4	378
517, 517B, 517W, 517X, 557, 567 ...	3	290
547X ...	6	582
617, 667, 617X, 667X ...	4	379

### Sparton Radio 見 Sparks Withington Co.

### Stewart Warner

10-20 ...	1	58
R-101A & B ...	1	59
R-102A, B & E ...	2	192
R-104 ...	1	96
109 ...	1	60
R-110 ...	2	193
R-111 & R-115 ...	1	97
119 ...	1	98
123 ...	1	99
125R ...	2	194
R-130 ...	3	291
R-136 (1361-1369) ...	4	380
R-140 ...	3	292
R-142A, R-142AS ...	3	293
R-144AS ...	3	294
R-145 (1451-1459) ...	4	381
R-161-D & 1611-D to 1619-D ...	6	583
R-167S, R-168 (1671 to 1689) ...	4	382
R-169 & 1691 to 1695 ...	6	584
R-171 & 1711 to 1719 ...	6	585
R-172 & 1721 to 1729 ...	6	586
R-173 & 1731 to 1739 ...	6	587
202AB & E ...	1	61

### Stromberg Carlson Co.

58 ...	3	295
--------	---	-----

### Transformer Corp. of American 見 Clarion

### Troy Radio Co.

57 ...	5	489
--------	---	-----

### Transitone Automobile Radio Corp.

P1430 Packard 115C & 120C ...	6	588
-------------------------------	---	-----

### United American Bosch

305A ...	2	195
350 ...	4	383
420 ...	3	296
430 ...	4	384
500 ...	4	385
501, 502 ...	4	386
505 ...	5	490
515 ...	5	491
640 ...	3	297
650 ...	4	387
844 ...	5	492

### United Motor Service

Model	第集	第頁
4038 ...	4	388
<b>Ultramar Mfg. Corp.</b>		
51 ...	6	589
<b>Universal Battery Co.</b>		
6110 & 6310 ...	6	590
8210 & 8410 ...	6	591
<b>U. S. Radio &amp; Television</b>		
25 (2nd Type) ...	4	389
3070 ...	1	100
<b>Warwick Radio Co.</b>		
510 ...	5	493
<b>Westinghouse</b>		
WR-10A ...	5	494
WR-28-29 ...	4	390
B64, B634 (D.C. Set) (直流式) ...	3	210
73 ...	1	68
83 ...	2	196
WR-100 ...	4	391
WR-102A ...	6	592
WR-103 ...	6	593
175 ...	2	197
195X-Y ...	3	211
WR-201 ...	4	392
WR-203 & 303 ...	3	298
254A-254X ...	3	212
255A, 255X & 255Y ...	3	213
511A, 511X & 511Y ...	4	393
W565X ...	3	214
WR-208 ...	5	495
<b>Zenith Radio</b>		
4B314, 4B317 (Chassis No. 5411) ...	6	594
4T-26 & 4T-51 ...	5	496
5G401M, 5G401D, 5G401Y & 5G401L (Chassis No. 5537) ...	6	595
5J217 (Chassis No. 5524T) ...	6	596
5R123, 5R135, 5R165 & 5519 ...	5	497
5R303, 5R312, 5R316, 5R317, 5R337 (Chassis No. 5528) ...	6	597
5S29, 5S56 ...	4	394
6D202, 6D219, 6D221, 6D238 ...	5	498
6D302, 6D311, 6D326, 6D336, 6D360 ...	4	395
6D311, 6D326, 6D336, 6D360 (Chassis No. 5646) ...	6	598
6D315 A.C.-D.C. Loop-Portable ...	5	499
6S27, 6S52 ...	4	396
9S30, 54, 55 ...	3	299
215, 225, 216 ...	1	62
230, 240, 245 ...	2	198
410, 411, 420 ...	3	300
475, 760, 765, 767, 2054, 2054B ...	2	199
701 AC-DC ...	5	500
705-7, 711-2, 750, 2052, AB & C ...	2	200
806, S-847, 807, 850, 5504, 5505, 5506, 5507 ...	4	397
411, 862, 865, 866, 1162 ...	4	398
908, 909, 960, 961 ...	4	399
895, 950 ...	4	400
S-829, S-870, S-871, 1170, 5701R, 5702R & 5703R ...	6	599
S-908, S-909 & 3961 (Chassis No. 5618) ...	6	600

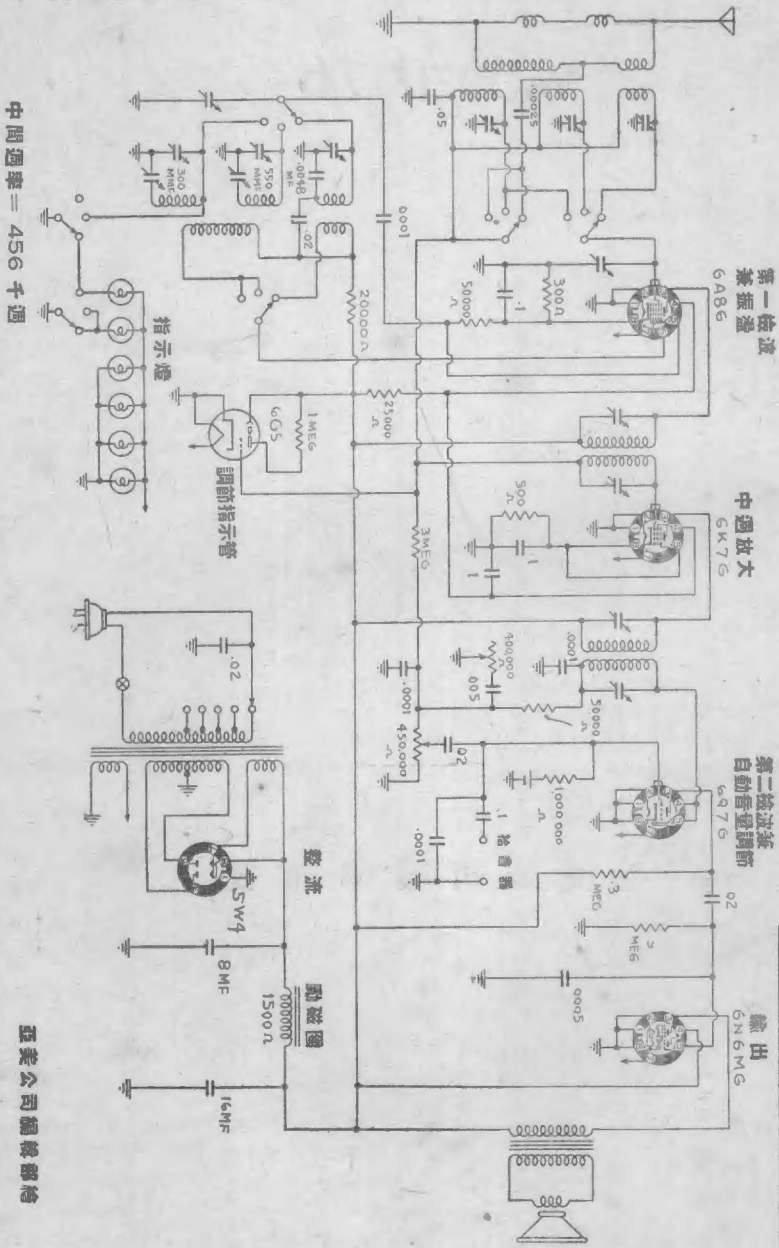
AIR-KING PRODUCTS CO. INC.

MODEL 76

亞美公司編輯部製



AIR-KING PRODUCTS CO., INC.  
MODEL 76



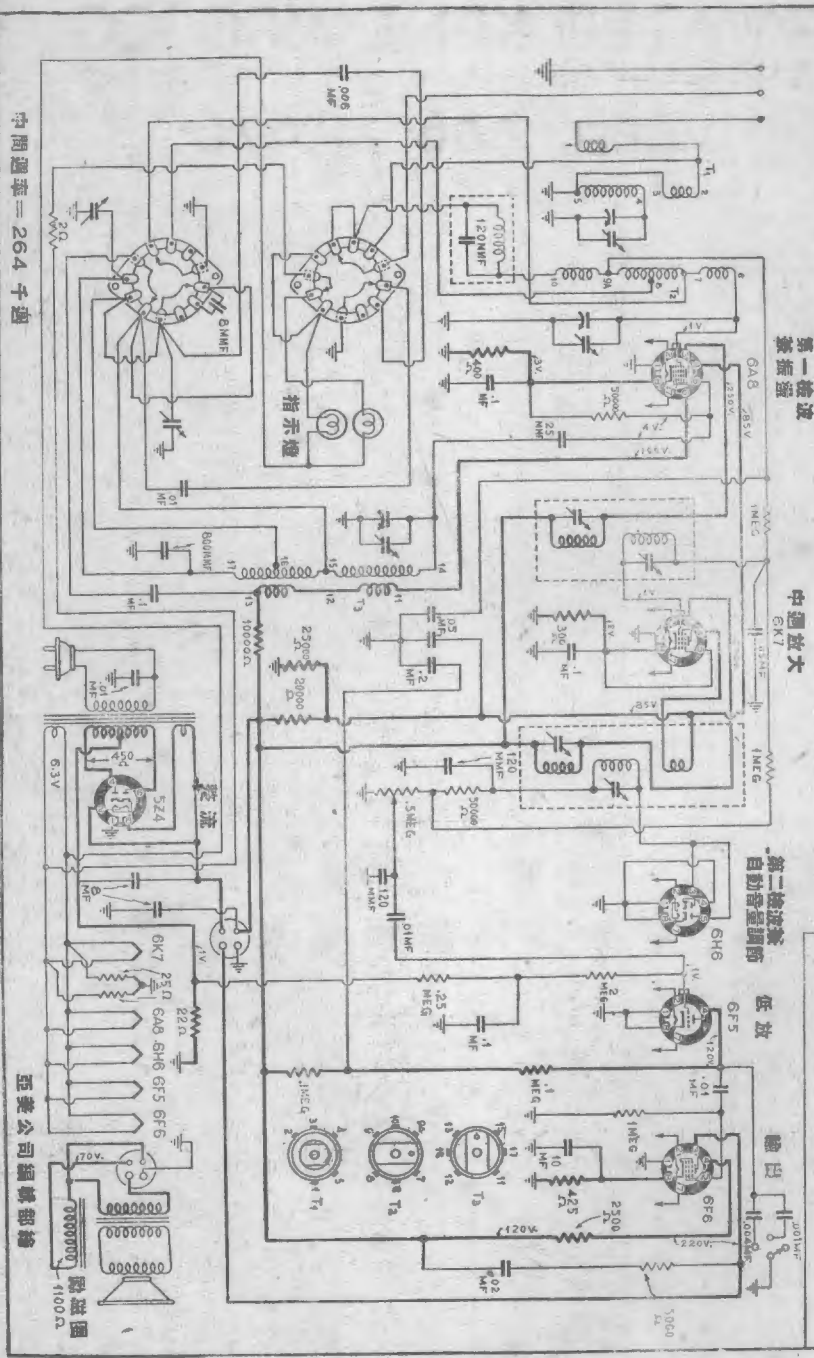
亞美公司調製器特

ATWATER KENT MFG CO.

MODEL 856 & 976

亞美公司編輯部製

ATWATER KENT MFG. CO.  
MODEL 856 & 976



中間週率 = 264 千週

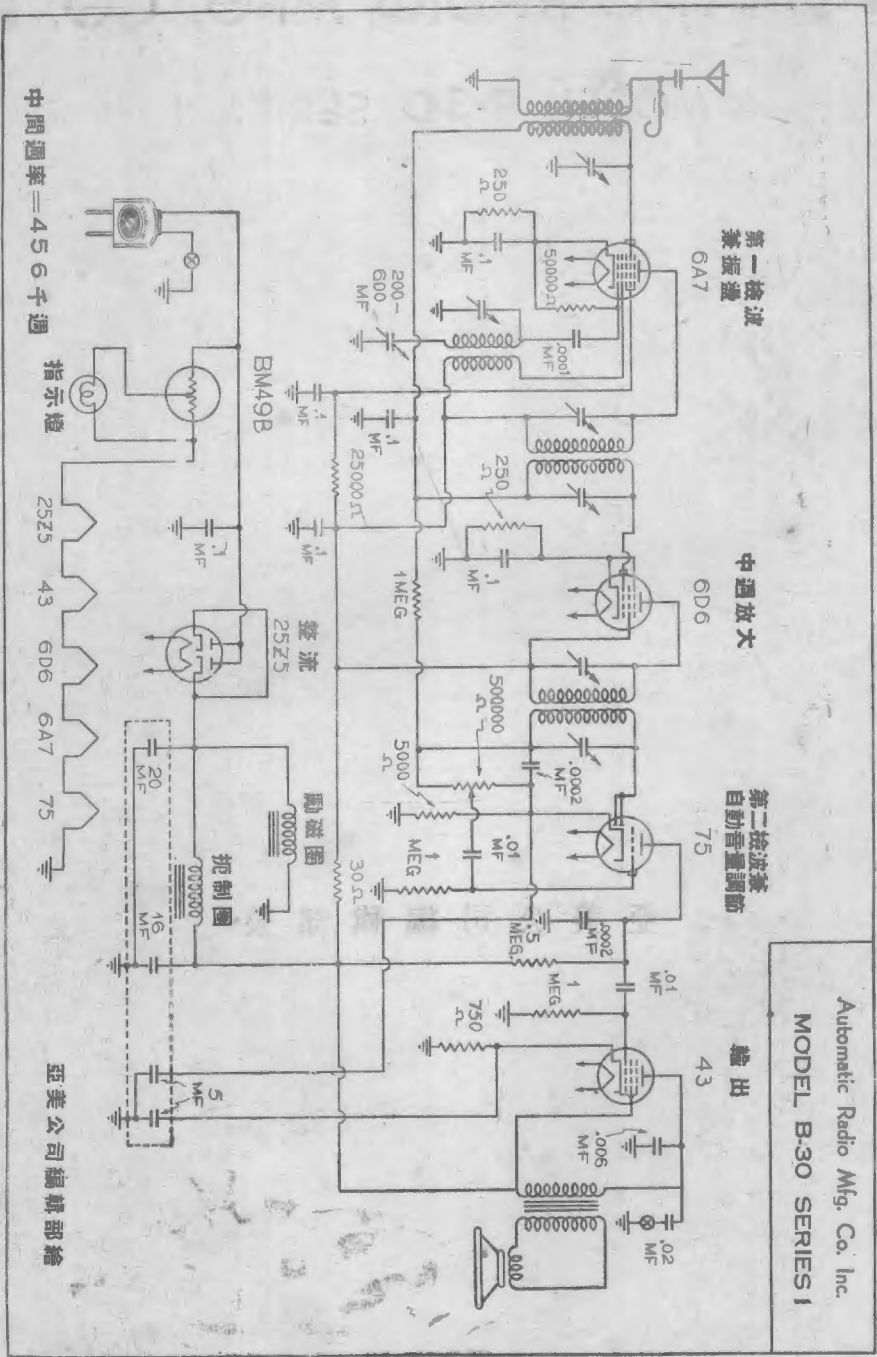
亞美公司編製部繪

**AUTOMATIC RADIO MFG. CO. INC.**

**MODEL B-30 SERIES I**

亞美公司編輯部製

Automatic Radio Mfg. Co. Inc.  
 MODEL B-30 SERIES I



中間週率=456千週

指示燈

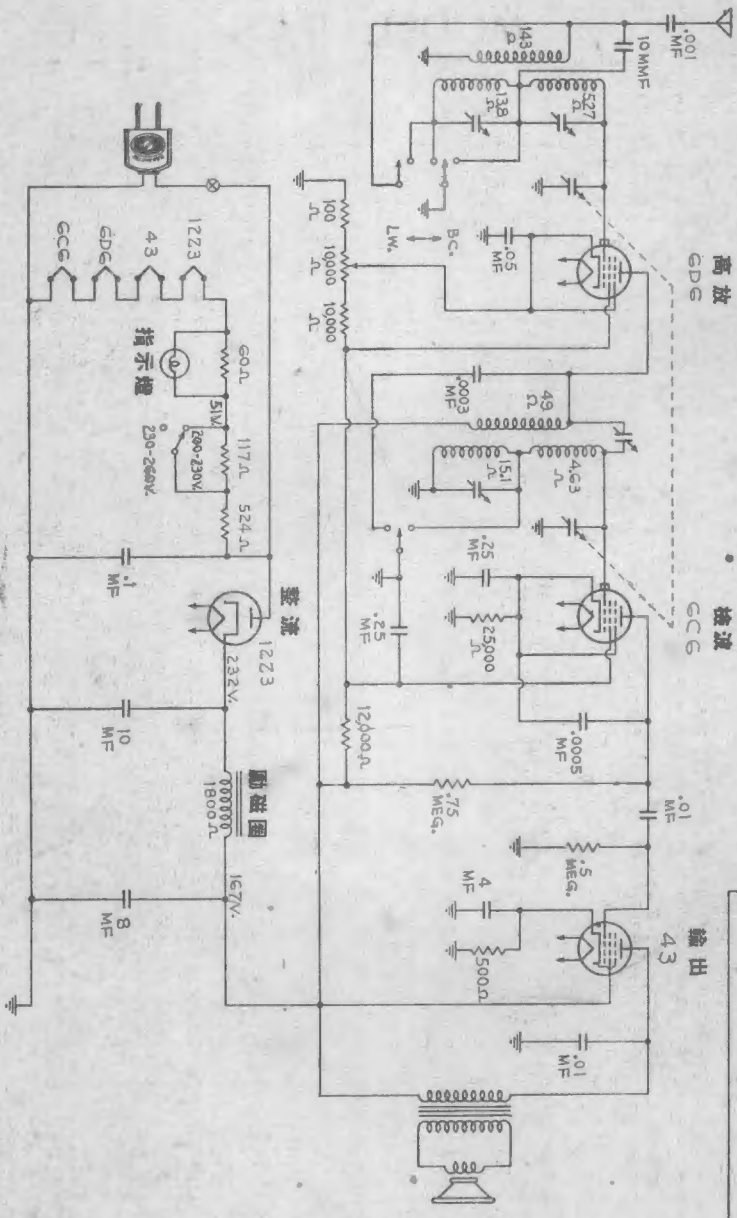
亞美公司編輯部繪

BELMONT RADIO CORP.

MODEL 444

亞美公司編輯部製

BELMONT RADIO CORP.  
MODEL 444



亞美公司編譯部繪

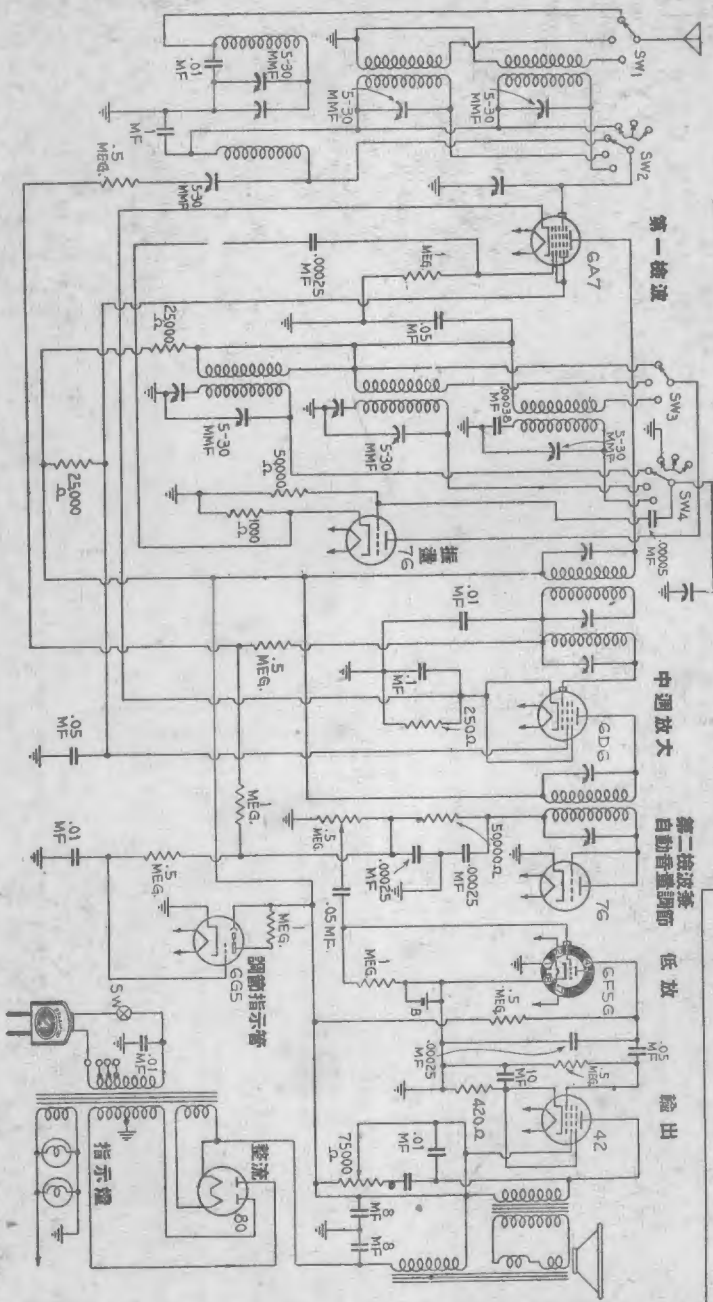
CLIMAX RADIO CO., INC.

MODEL MEBT

亞美公司編輯部製



CLIMAX RADIO CO., INC.  
MODEL MBET



中間週率 = 456 千週

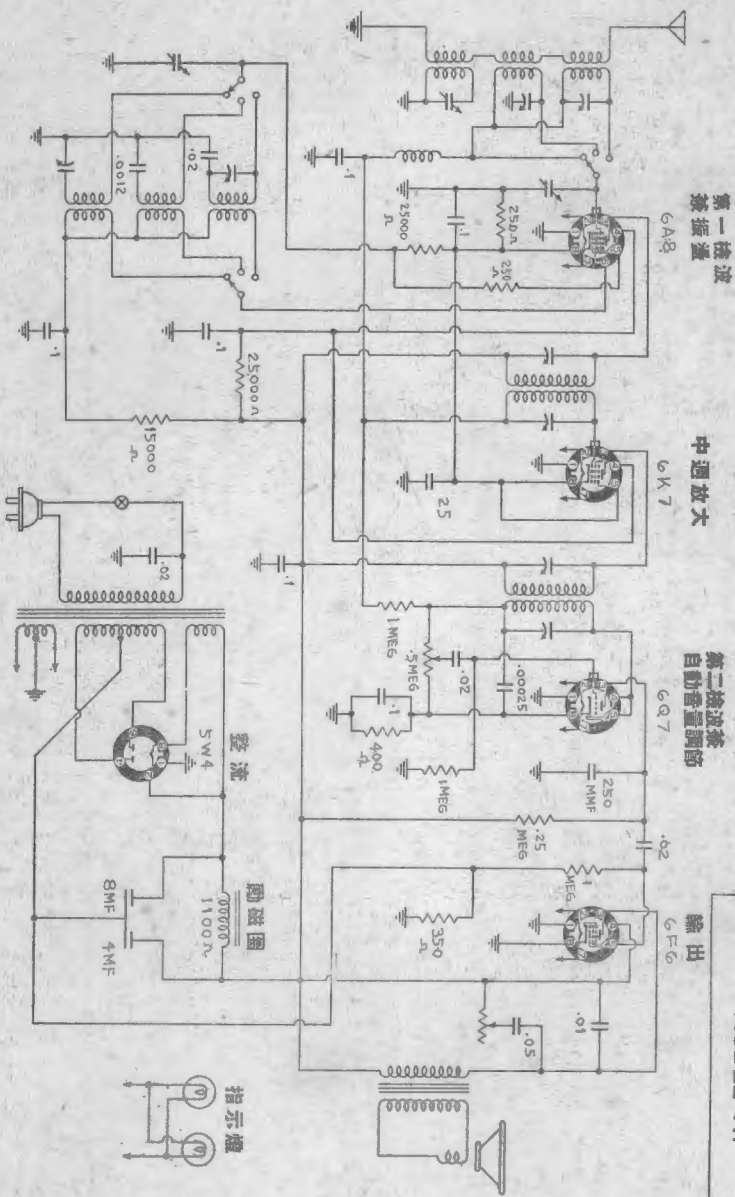
亞美公司編譯部繪

CONTINENTAL RADIO & TEL. CO.

MODEL AI

亞美公司編輯部製

CONTINENTAL RADIO & TEL. CO.  
MODEL A1



中間週率 = 456 千週

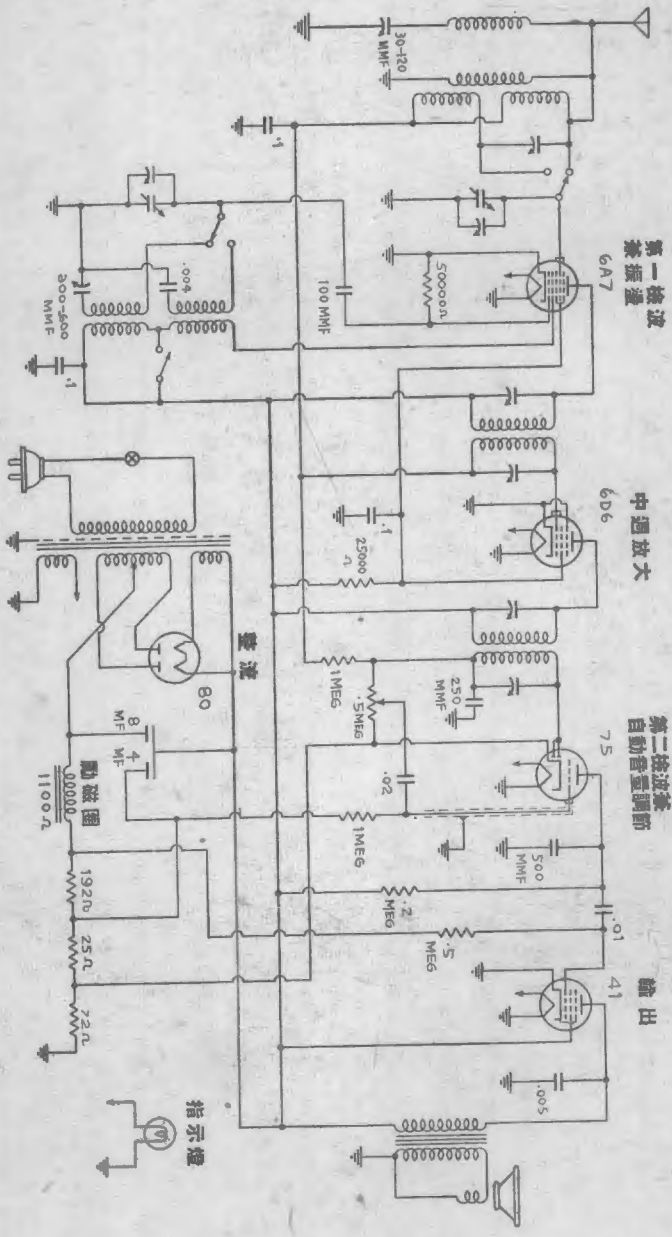
亞美公司編輯部繪

CONTINENTAL RADIO & TEL. CO.

MODEL 5M

亞美公司編輯部製

CONTINENTAL RADIO & TEL. CO.  
MODEL 5M



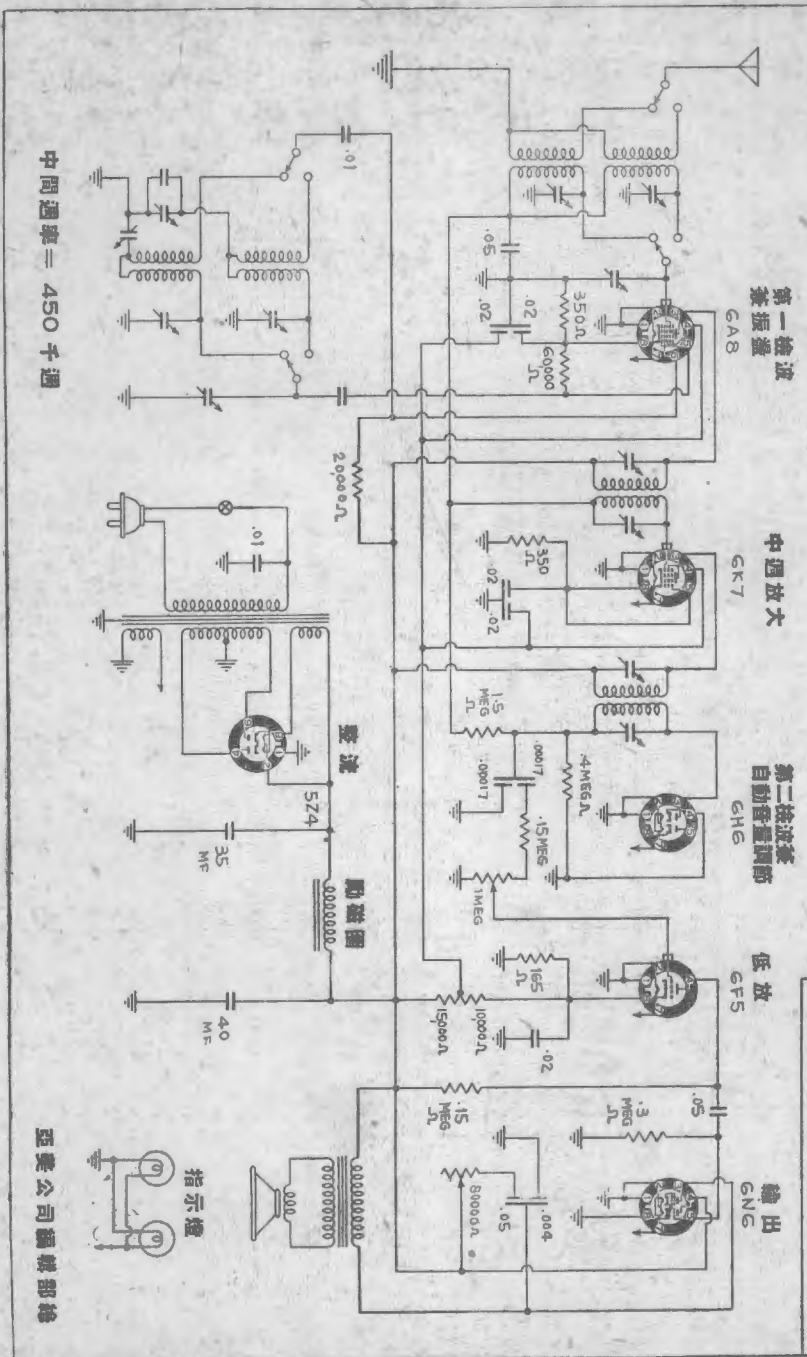
中間週率 = 456 千週

亞美公司續展部繪

CROSLEY RADIO CORP.  
MODELS 634, 649, 656 & 5656

亞美公司編輯部製

CRÖSLEY RADNO CORP.  
 MODELS 634, 649, 656 & 656S



中間週率 = 450 千週

亞美公司編製部繪

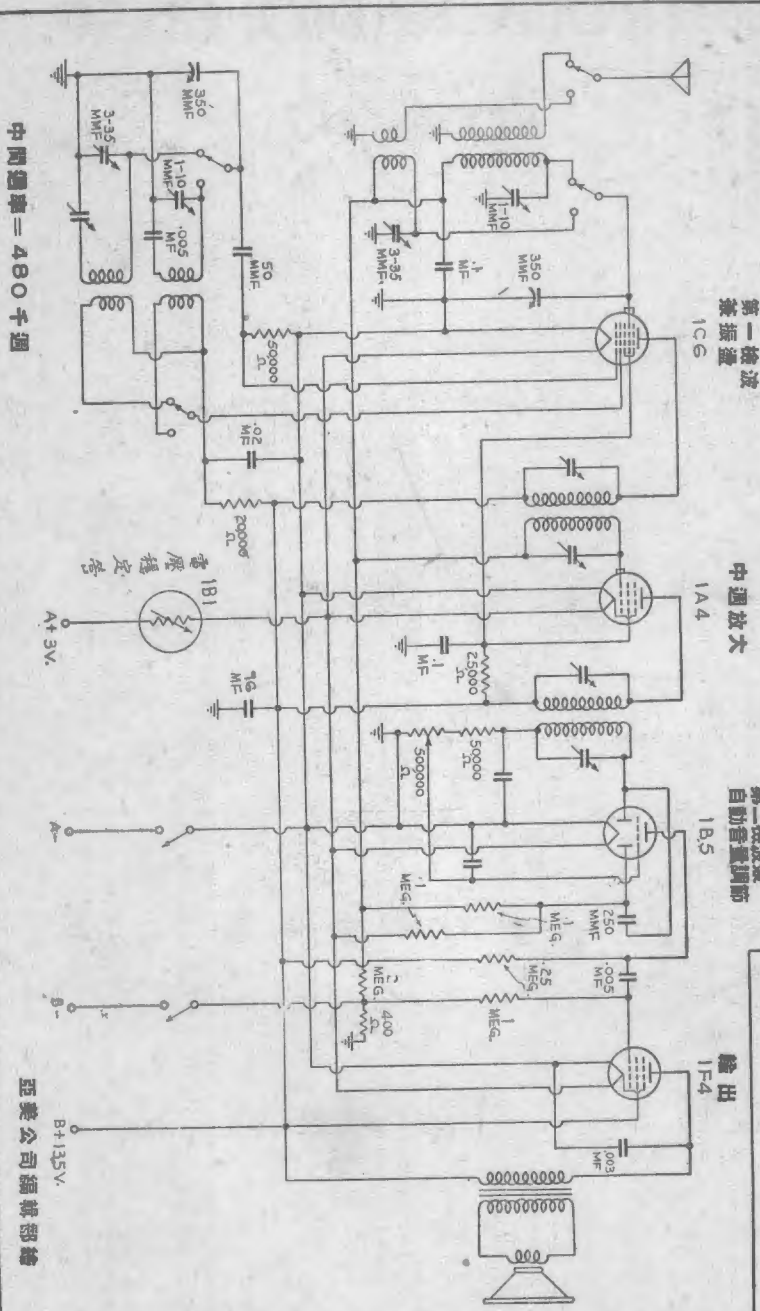
DETROLA RADIO CORP.

MODEL 117

亞美公司編輯部製



DETROLA RADIO CORP.  
MODEL 117



中間週率 = 480 千週

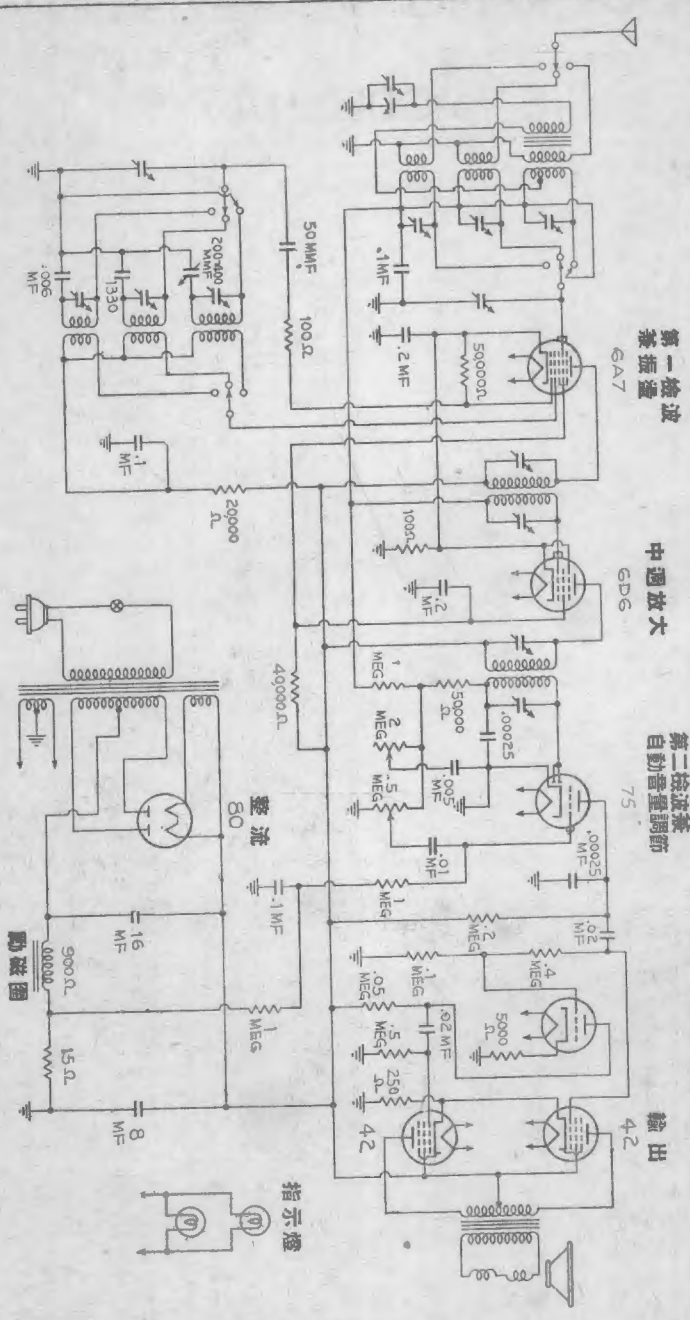
亞美公司 編 標 認 檢

DETROLA RADIO & TELEVISION CORP.

MODEL 147

亞美公司編輯部製

DETROLA RADIO & TELEVISION CORP.  
MODEL 147



中間週率 = 456 千週

亞美公司調修部繪

000036

DEWALD RADIO CO.

MODELS 620 & 620LW

亞美公司編輯部製

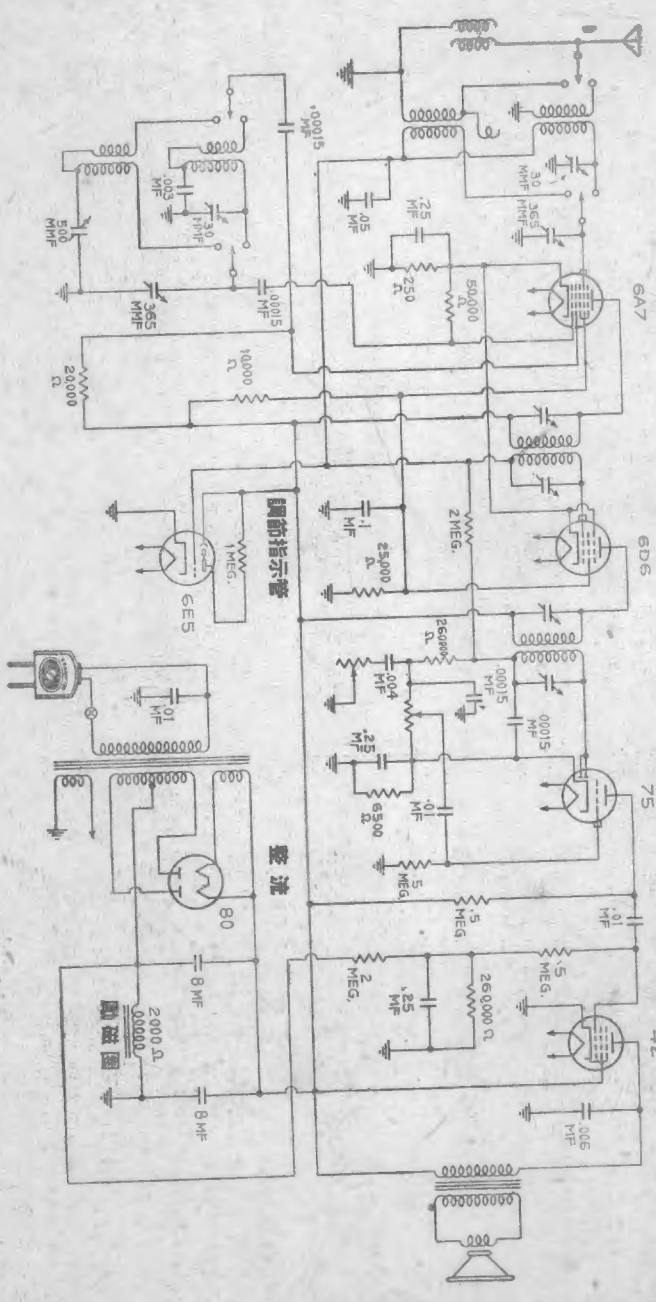
DEWALD RADIO CO.  
 MODELS 620 & 620LW

輸出

第二極濾波  
 自動音置調節

中週放大

第一極濾波  
 第一振盪



中週頻率 = 456 千週

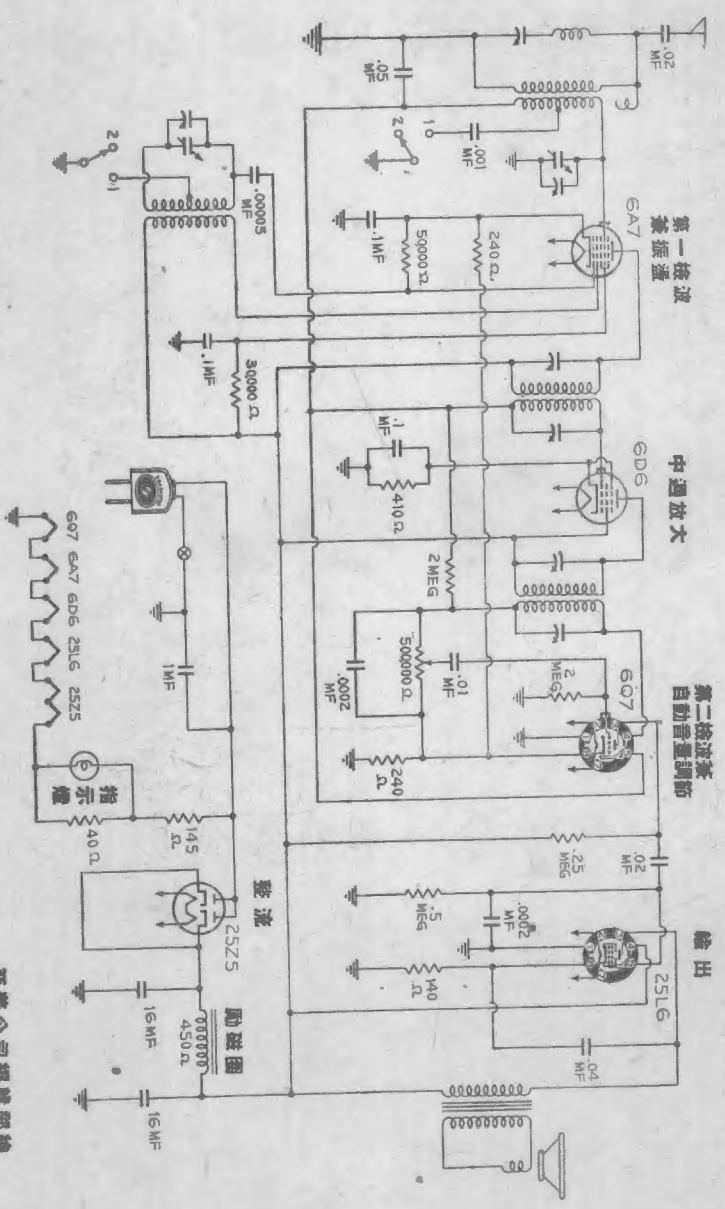
亞美公司製造部繪

EMERSON RADIO CO.

MODELS AD-108, AD-110 & AD-125

亞美公司編輯部製

EMERSON RADIO CO.  
 MODELS AD-108, AD-110 & AD-125



中間週率 = 456 千週

亞美公司機械部繪

EMERSON RADIO CO.

MODELS HI30 & HI37

亞美公司編輯部製





EMERSON RADIO CO.

MODELS R-152-R-153 R-156 R-158

亞美公司編輯部製

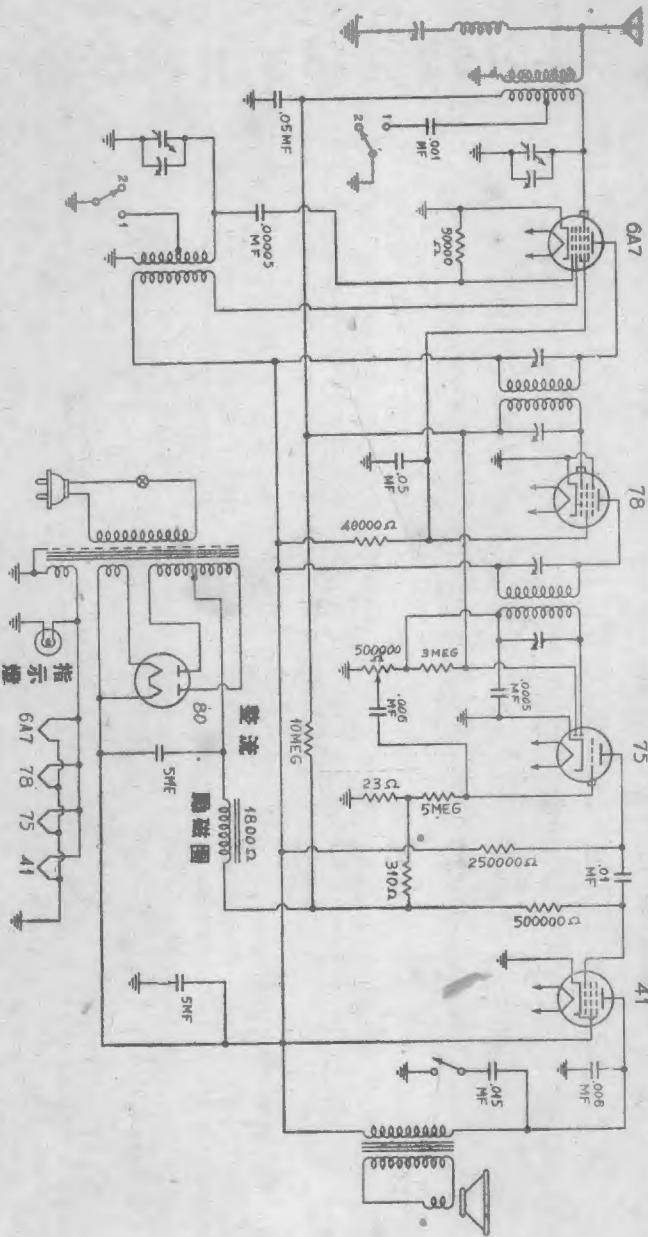
EMERSON RADIO  
 R-152-R-153  
 MODELS R-156 R-156

第一檢波  
 兼振盪

中週放大

第二檢波兼  
 自動音量調節

輸出



中間週率 = 456 千週

亞美公司編輯部繪

FADA RADIO ELECTRIC CO.

MODEL 150-A

亞美公司編輯部製

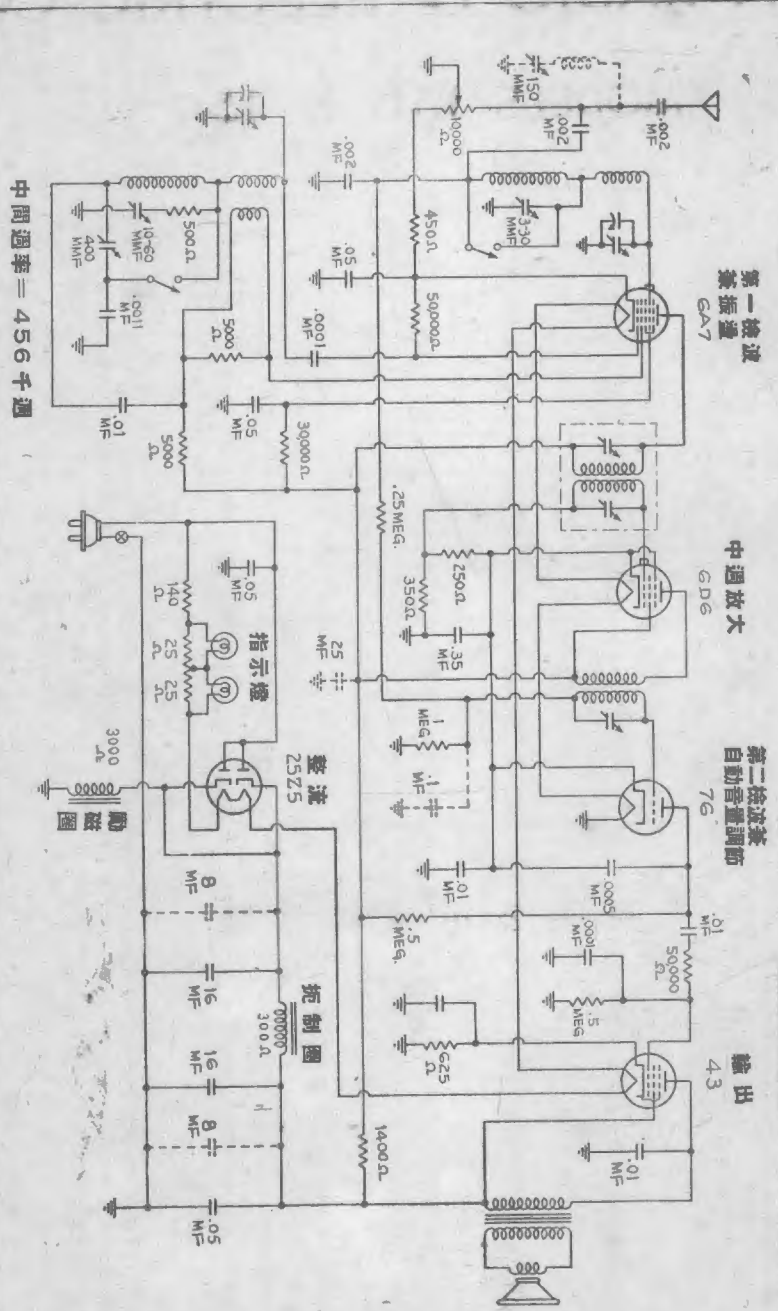


FADA RADIO & ELECTRIC CO.

MODELS 156 & 159

亞美公司編輯部製

FADA RADIO & ELECTRIC CO.  
 MODELS 156 & 159



中間週率 = 456 千週

FAIRBANKS MORSE & CO.,  
HOME APPLIANCE DIVISION  
MODELS 5C & 6A

亞美公司編輯部製





# FAIRBANKS

MODELS 58TI-58T2-58CI-CHASSIS 58

亞美公司編輯部製

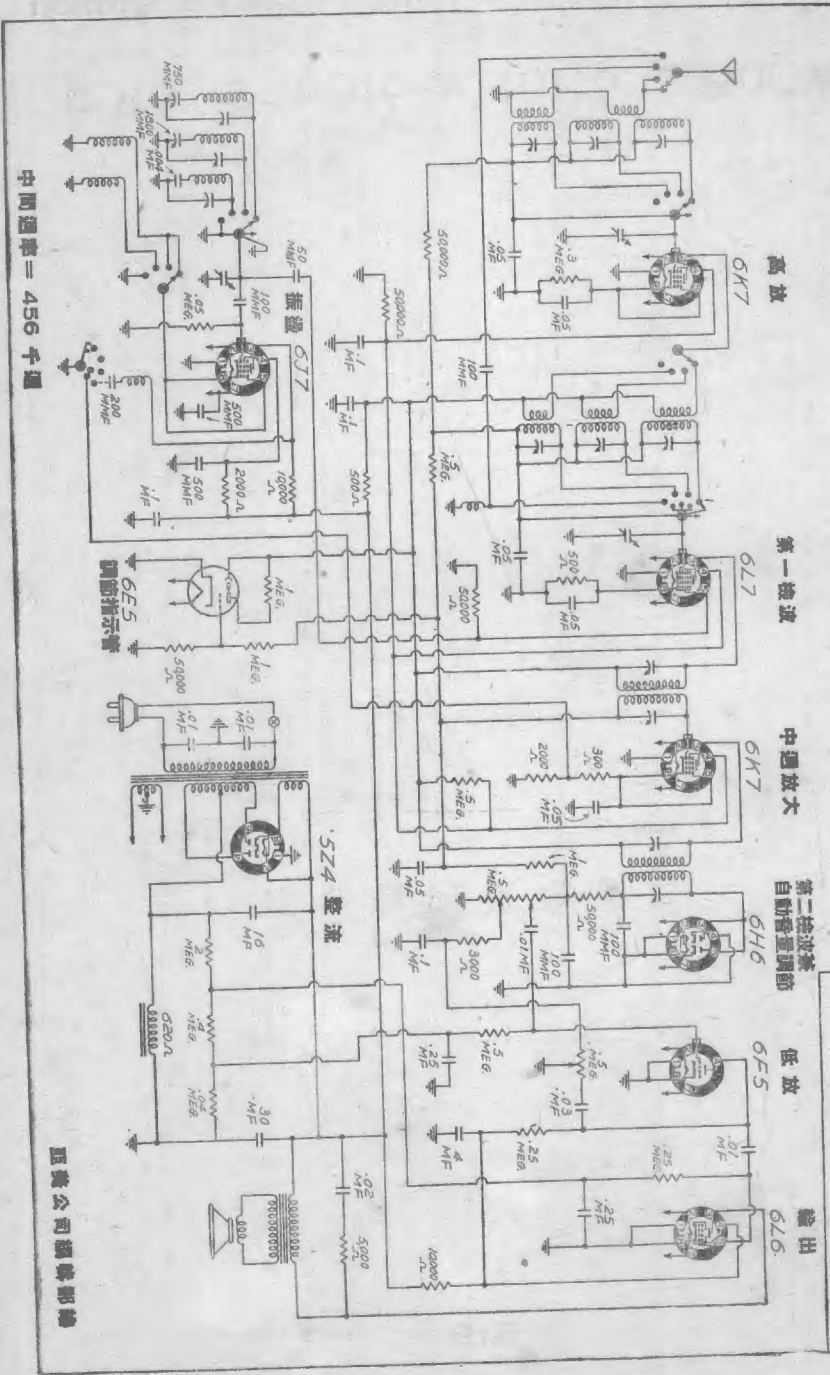


Fairbanks Morse & Home Appliance Division

MODELS 91-91T4-91C4 & 91C5

亞美公司編輯部製

Fairbanks Morse & Co. Home Appliance Division  
 Models 9191Tr-91C4 & 91C3



中間頻率 = 456 千週

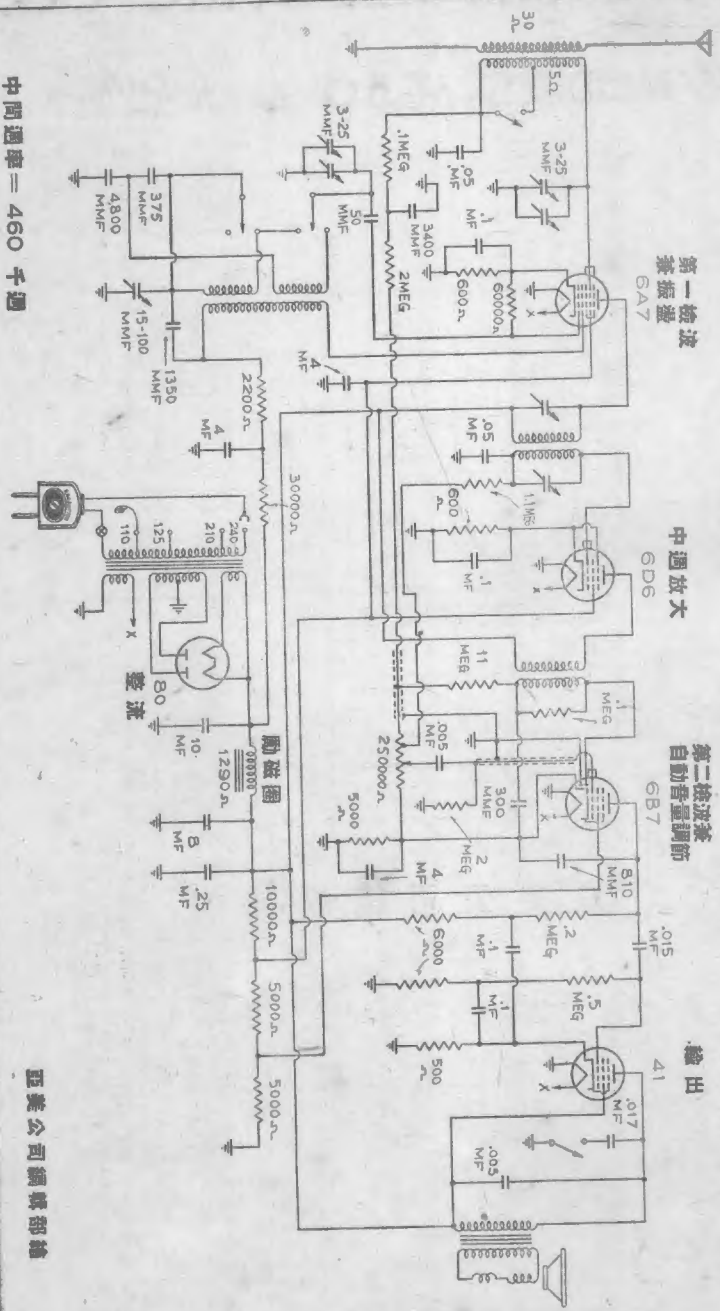
西電公司編輯部

GENERAL ELECTRIC CO.

MODELS M-50 & M-55

亞美公司編輯部製

GENERAL ELECTRIC CO.  
 MODELS M-50 & M-55



中間週率 = 460 千週

亞美公司編輯部繪

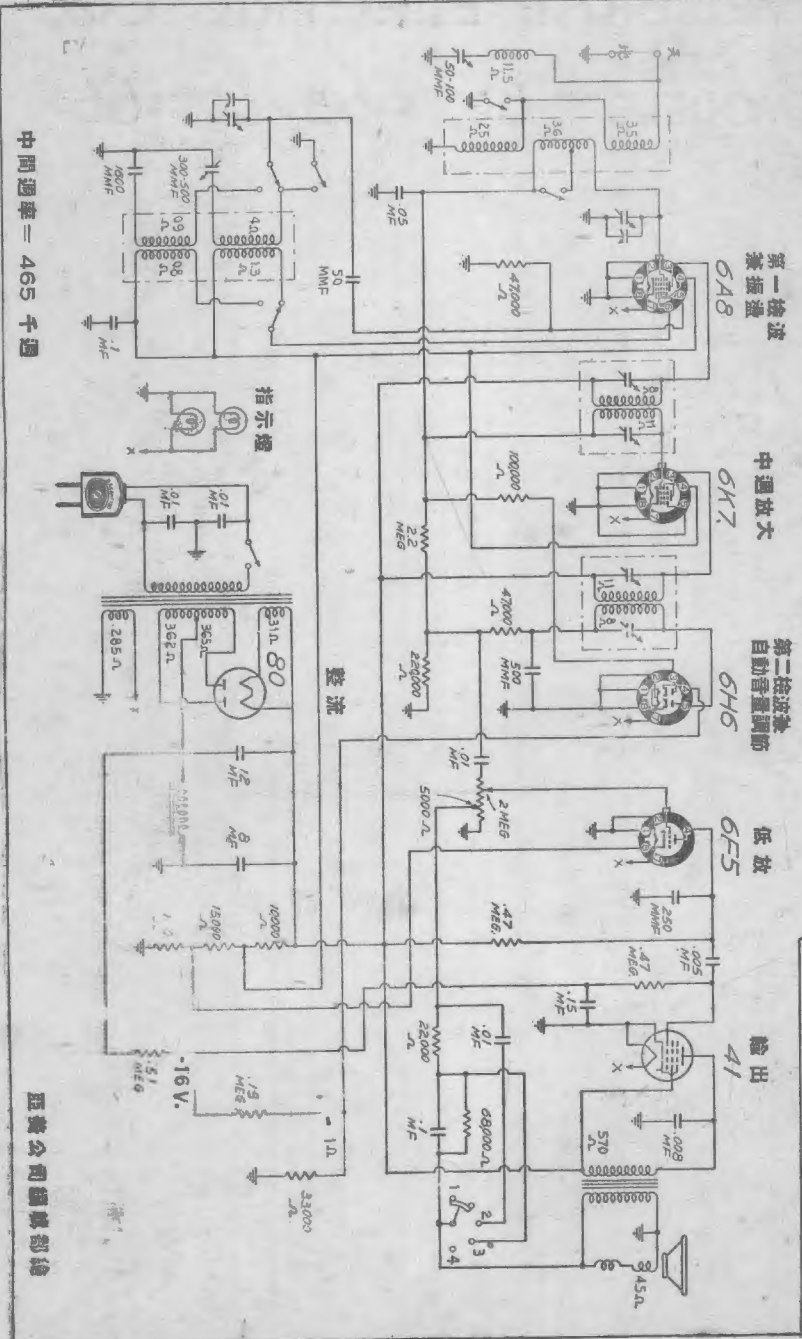
GENERAL ELECTRIC CO.

MODELS F-63, F-65 & F-66

亞美公司編輯部製



GENERAL ELECTRIC CO.  
 MODELS F-63, F-65 & F-66



中間週率 = 465 千週

西電公司總機部繪

GENERAL ELECTRIC CO.  
MODELS H-639 A.C. & H-639 D.C.

亞美公司編輯部製



**GENERAL HOUSEHOLD  
UTILITIES CO.  
MODELS 5H & 532**

亞美公司編輯部製

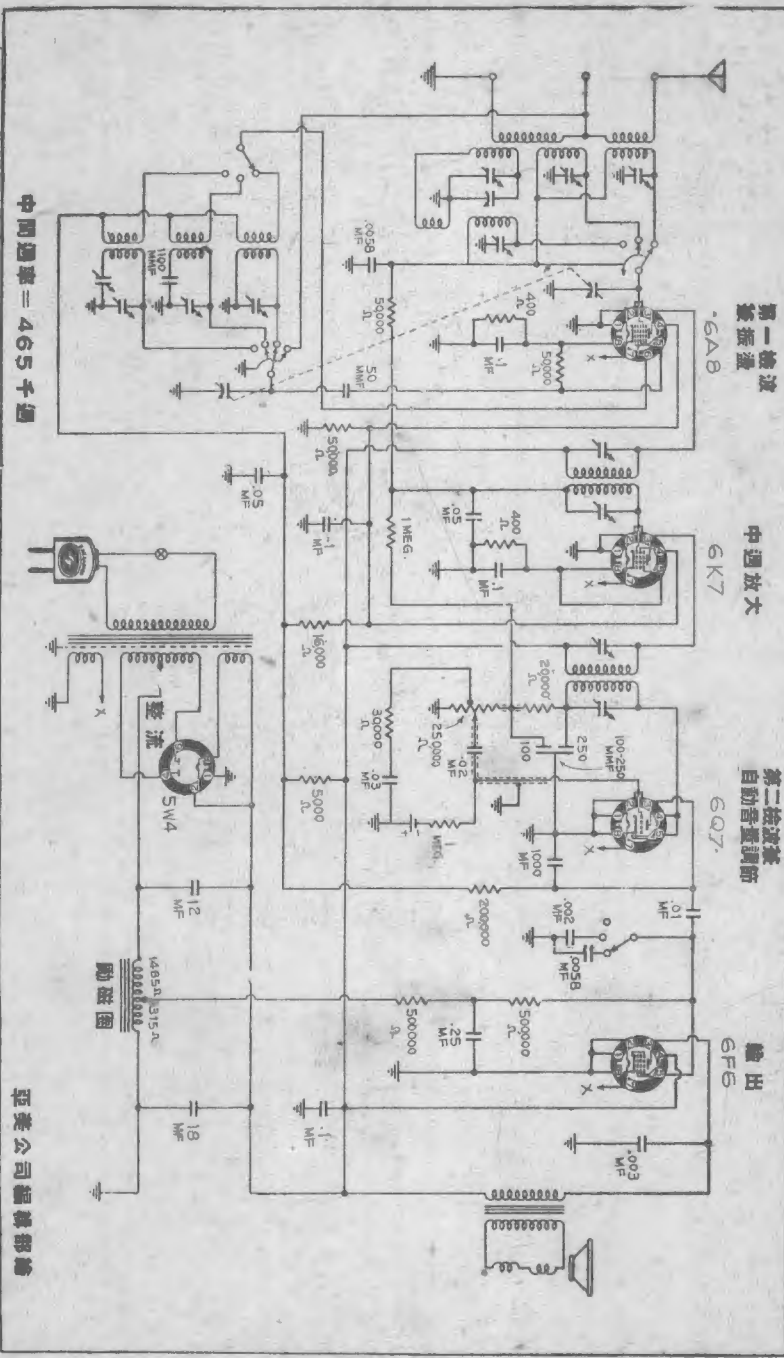


GENERAL HOUSEHOLD UTILITIES CO.

MODELS 5L 555 & 572

亞美公司編輯部製

GENERAL HOUSEHOLD UTILITIES CO.  
 MODELS 5L, 555 & 572



中週率 = 465 千週

亞美公司編輯部繪

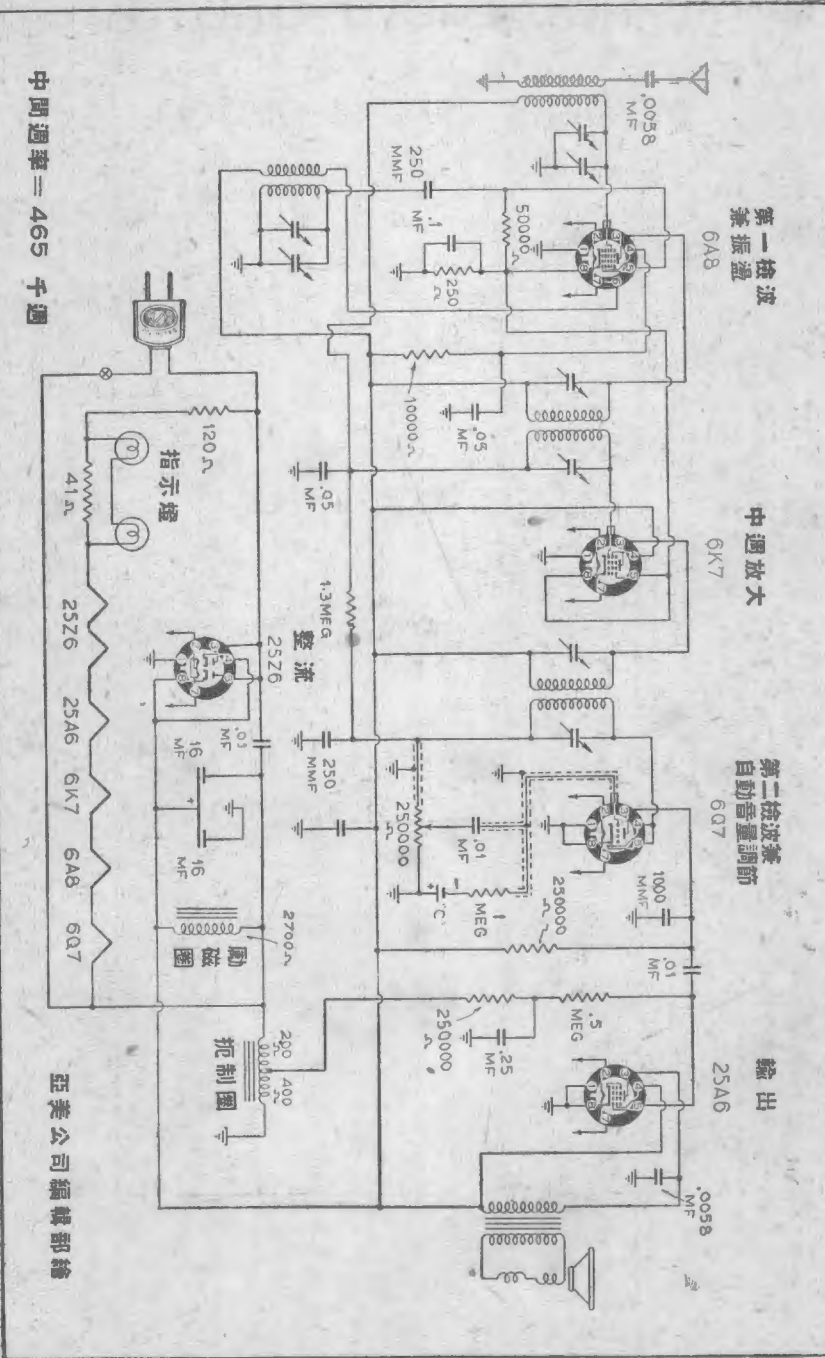
GENERAL HOUSEHOLD UTILITIES CO.

MODELS 5M & 590

亞美公司編輯部製



GENERAL HOUSEHOLD  
UTILITIES CO.  
MODELS 5M & 590



第一檢波  
兼振盪  
6A8

中週放大  
6K7

第二檢波兼  
自動音量調節  
6Q7

輸出  
25A6

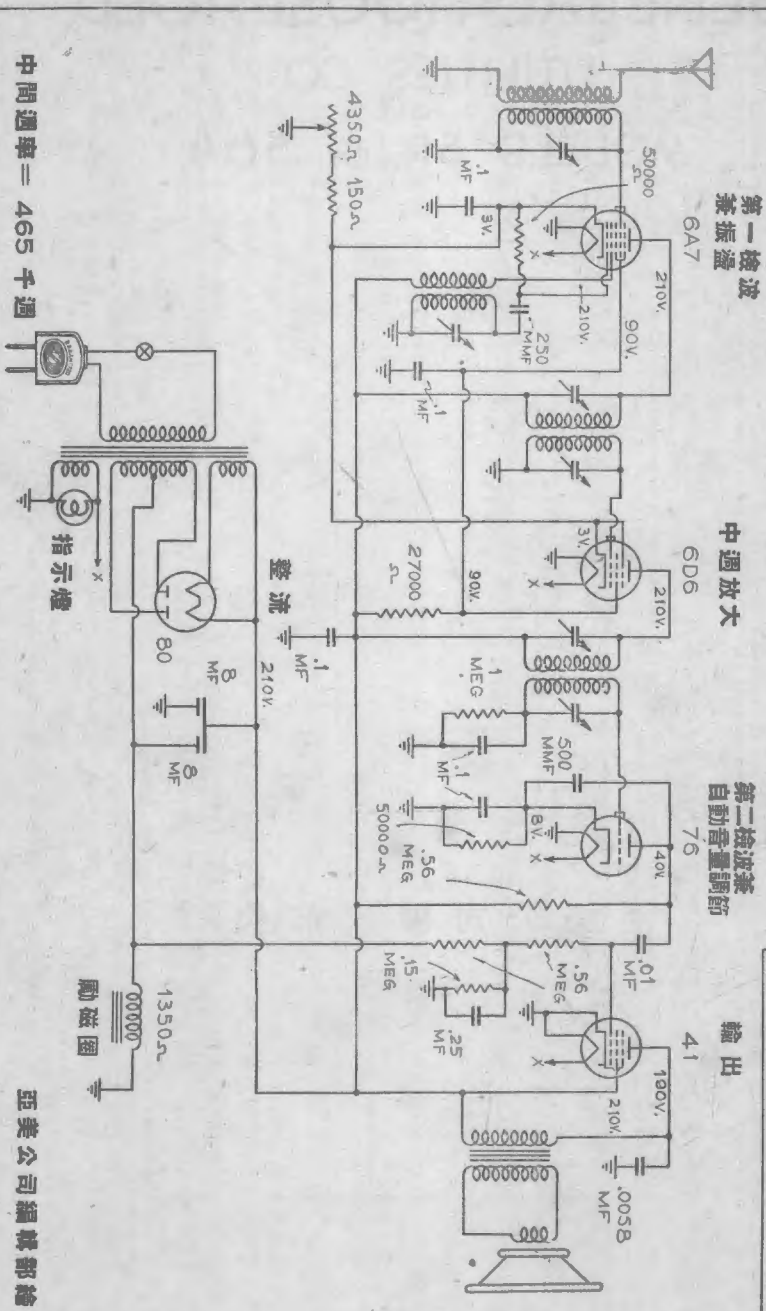
中間週率 = 465 千週

亞美公司編輯部繪

GENERAL HOUSEHOLD  
UTILITIES CO.  
MODELS 5R & 564

亞美公司編輯部製

GENERAL HOUSEHOLD  
UTILITIES CO.  
MODELS SR & 564



中間週率 = 465 千週

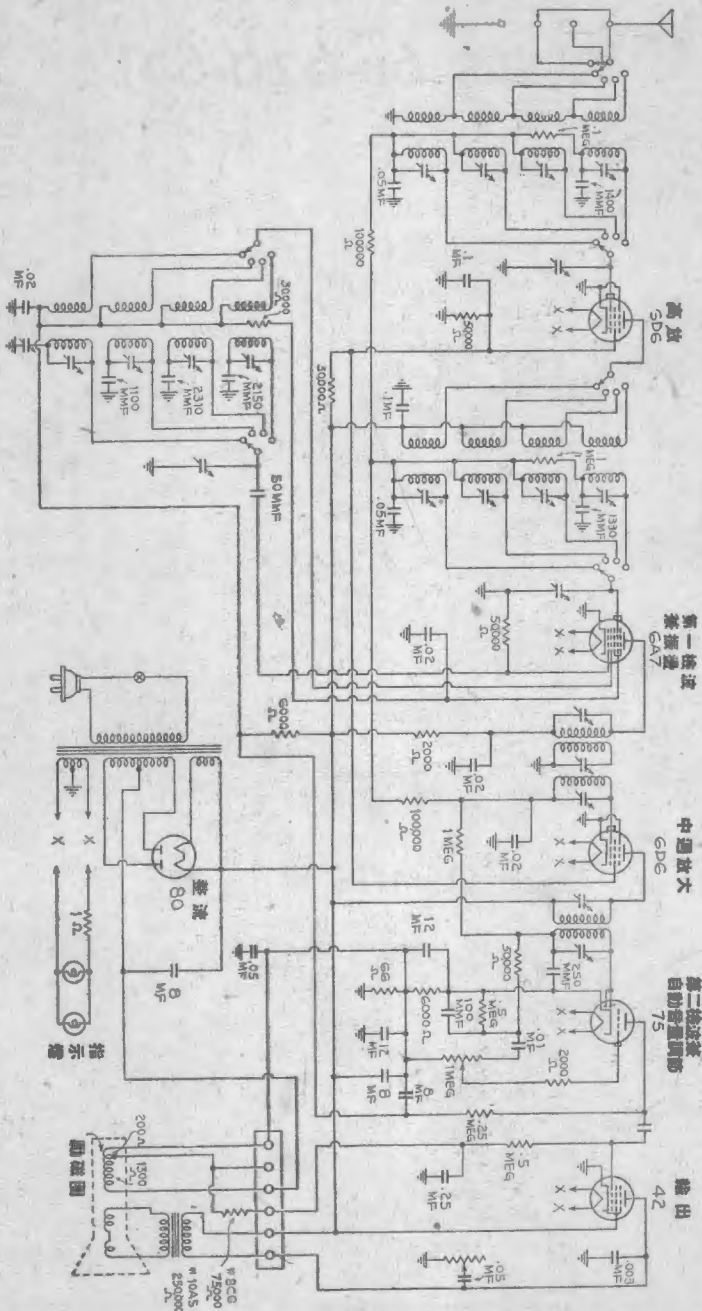
亞美公司編輯部繪

GENERAL HOUSEHOLD UTILITIES CO.

MODELS 6D-670-671

亞美公司編輯部製

GENERAL HOUSEHOLD UTILITIES CO.  
 MODELS 8D-670-671



中間週率 = 455 千週

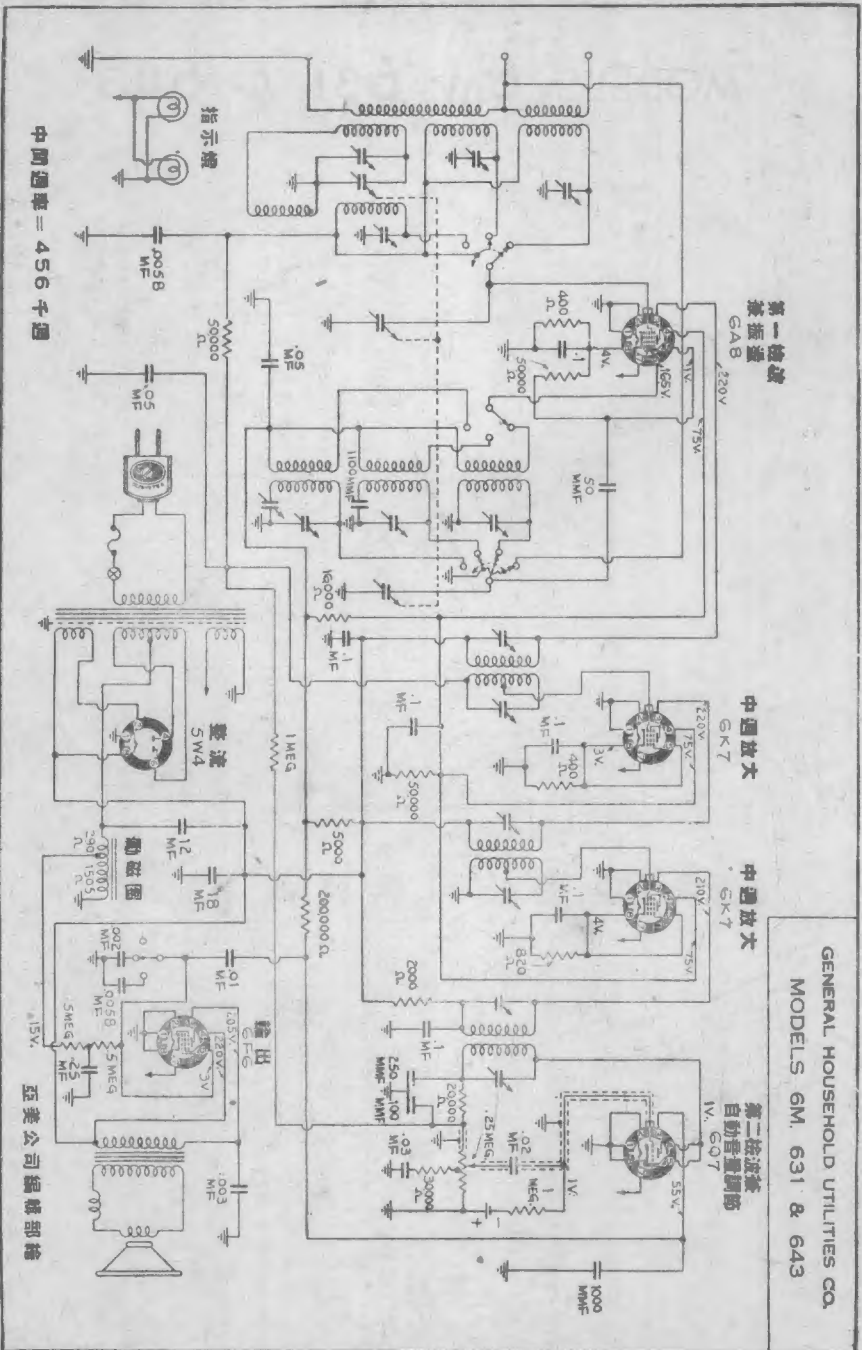
亞美公司編輯部特

GENERAL HOUSEHOLD UTILITIES CO.

MODELS 6M 631 & 643

亞美公司編輯部製

GENERAL HOUSEHOLD UTILITIES CO.  
 MODELS 6M, 631 & 643



中間週率 = 456 千週

亞美公司編輯部

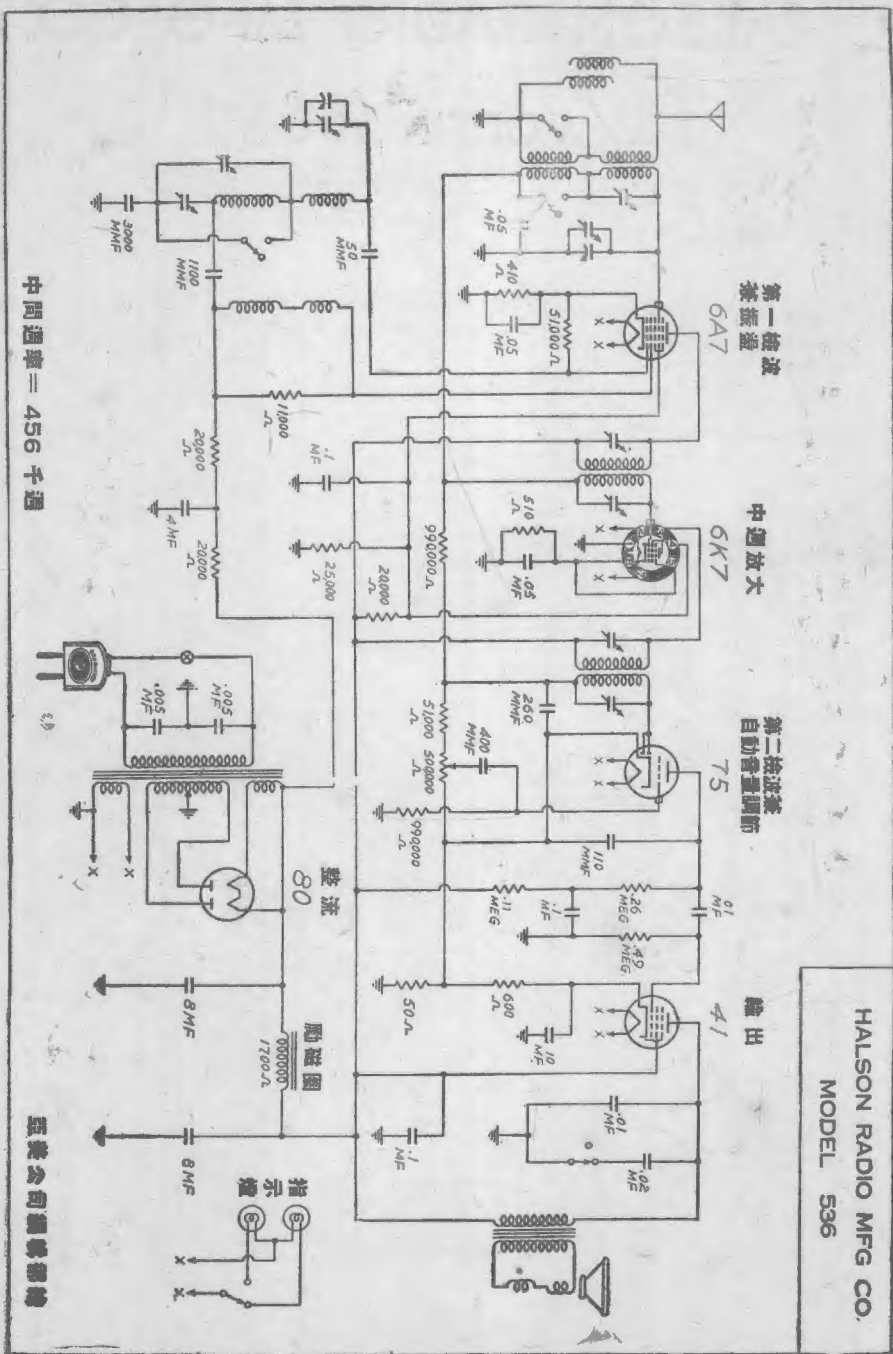
HALSON RADIO MFG. CO.

MODEL 536

亞美公司編輯部製



HALSON RADIO MFG CO.  
MODEL 536



中間週率 = 456 千週

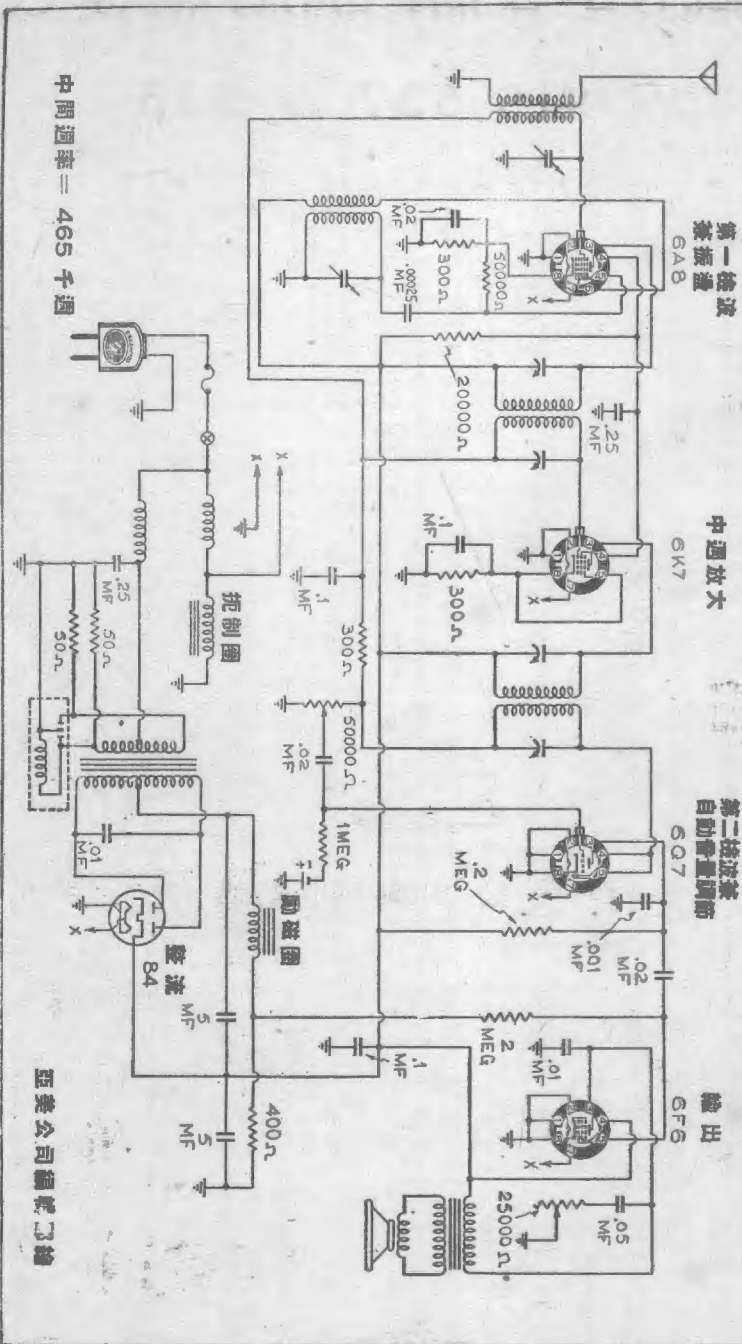
五洲公司製造器機

HERBERT H. HORN RADIO MFG. CO.

MODELS 537 & 538

亞美公司編輯部製

HERBERT H. HORN RADIO MFG. CO.  
 MODELS 537 & 538



中間週率 = 465 千週

亞美公司編製

HOWARD RADIO CO.

MODELS 308APC, 308C, 308TT

亞美公司編輯部製

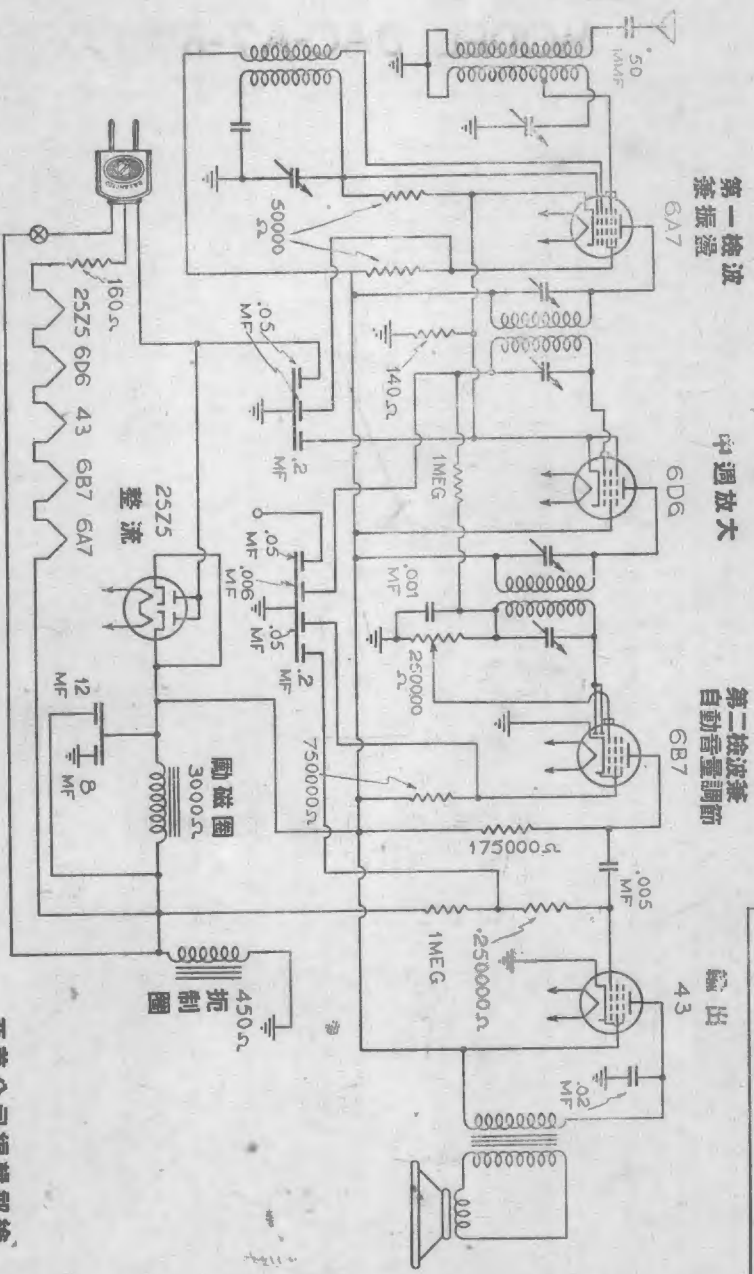


INTERNATIONAL RADIO CORP.

MODEL DAC-A7-BW-CD

亞美公司編輯部製

INTERNATIONAL RADIO CORP.  
 MODEL DAC-A7-BW-CD



中間週率 = 262.5 千週

亞美公司編譯部繪

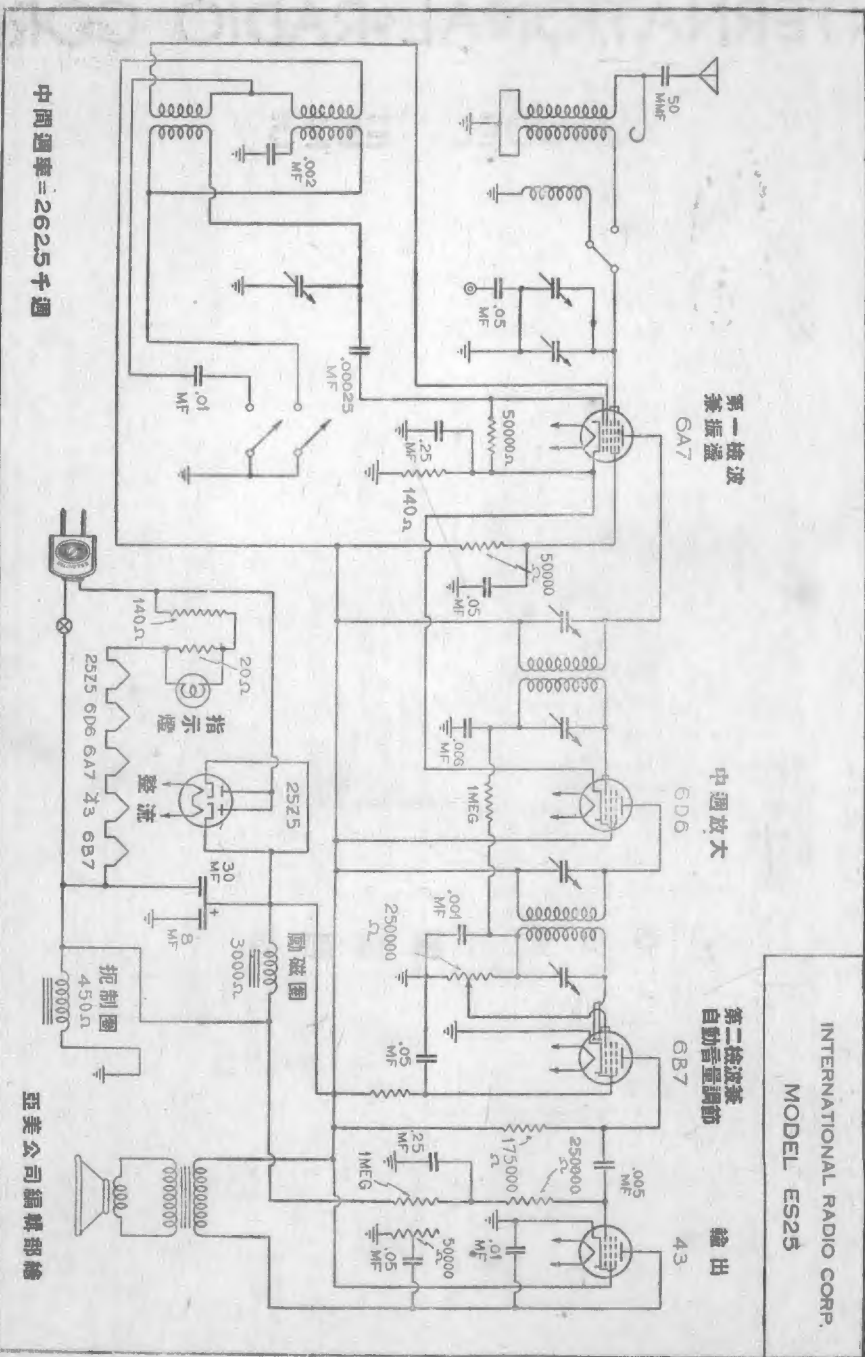
INTERNATIONAL RADIO CORP.

MODEL ES25

亞美公司編輯部製



INTERNATIONAL RADIO CORP.  
MODEL ES25



中間週率 = 262.5 千週

亞美公司 鑄製部 繪

INTERNATIONAL RADIO CORP.

MODEL 36

亞美公司編輯部製

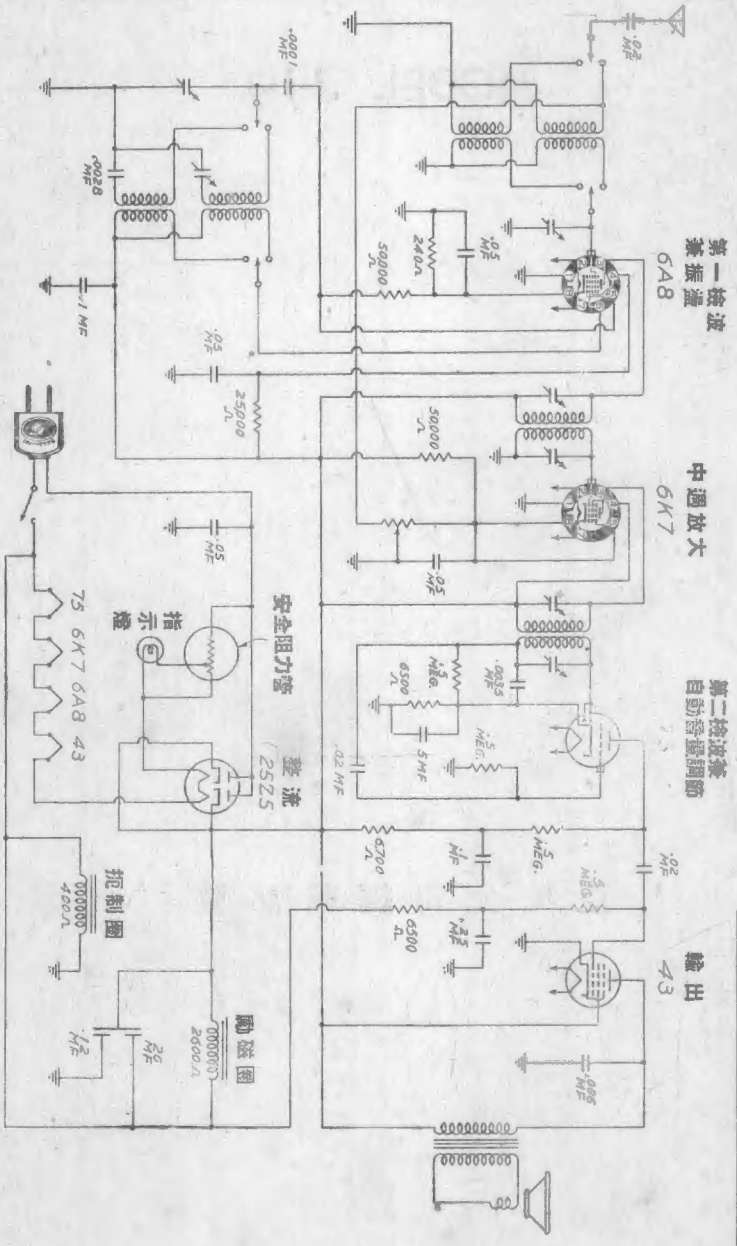


LAFAYETTE RADIO MFG. CO.

MODEL J-19

亞美公司編輯部製

LAFAYETTE RADIO MFG. CO.  
MODEL J-19



中間週率 = 456 千週

亞美公司編譯部繪

MAJESTIC RADIO & TELEV. CO.

MODEL 290

亞美公司編輯部製



MAJESTIC RADIO & TELEV. CO.

MODEL 800

亞美公司編輯部製





MAJESTIC RADIO & TELEV. CO.

MODEL 1050

亞美公司編輯部製



MIDWEST RADIO CORP.

MODEL 10-34

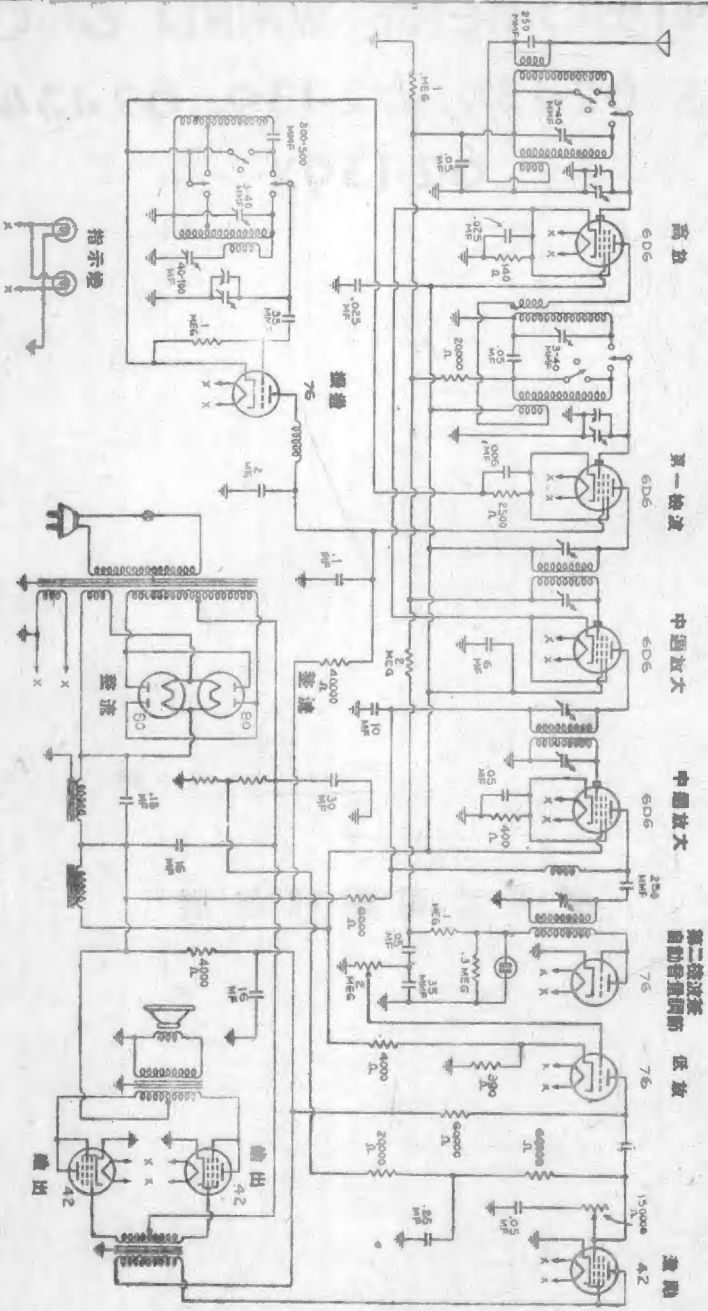
亞美公司編輯部製



MONTGOMERY WARD & CO.  
MODELS 62-134, 62-139, 62-134X &  
62-139X

亞美公司編輯部製

MONTGOMERY WARD & CO.  
 MODEL S 82-124, 82-129, 82-124T & 82-129T



中國通牌 = 450千周

聖發公司總經銷

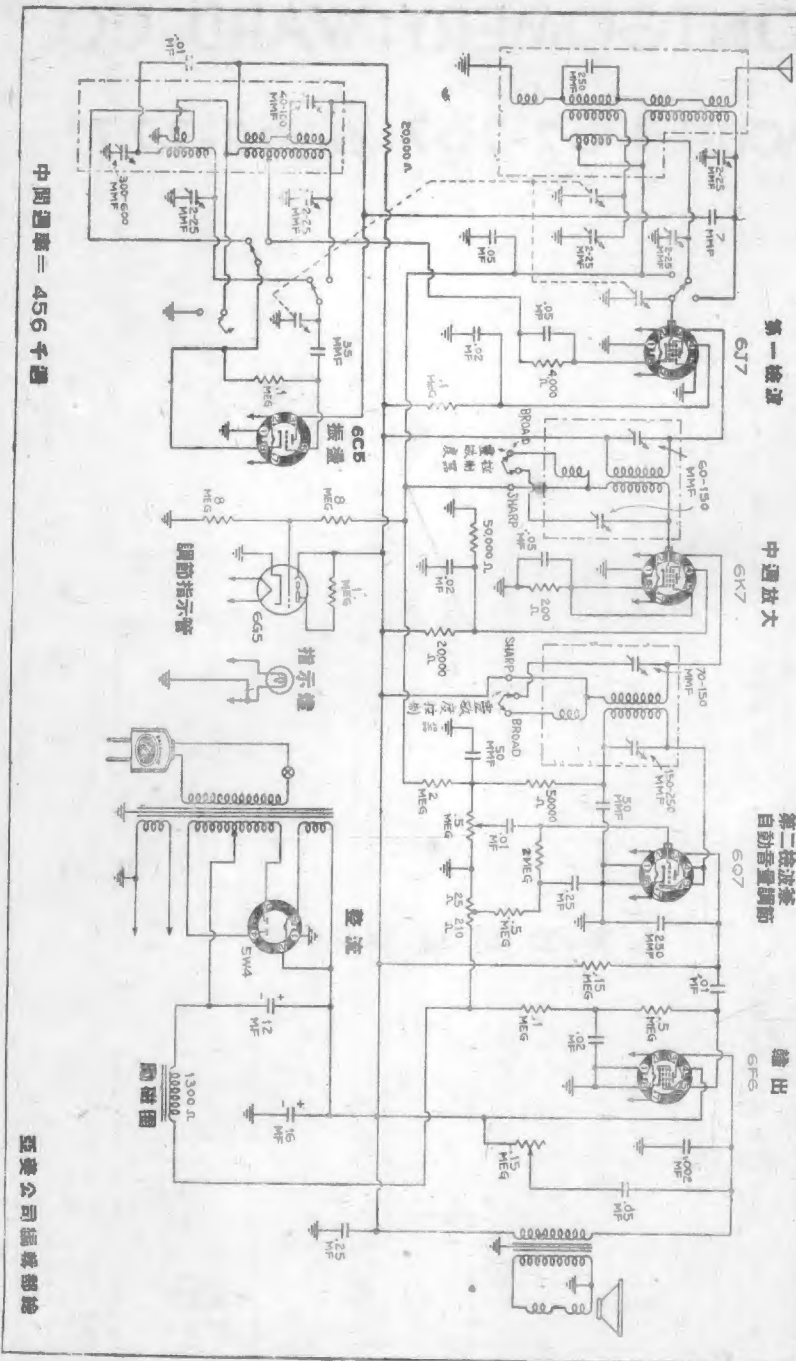
MONTGOMERY WARD CO.

MODELS 62-267 & 62-277

亞美公司編輯部製



MONTGOMERY WARD CO.  
 MODELS 62-267 & 62-277



中間迴路 = 456 千週

亞美公司攝製部繪

**MONTGOMERY WARD CO.**

**(AIR LINE)**

**MODELS 62-307 & 62-407**

亞美公司編輯部製



PHILCO. RÁDIO CORP.

MODEL 19 "CODE 128"

亞美公司編輯部製

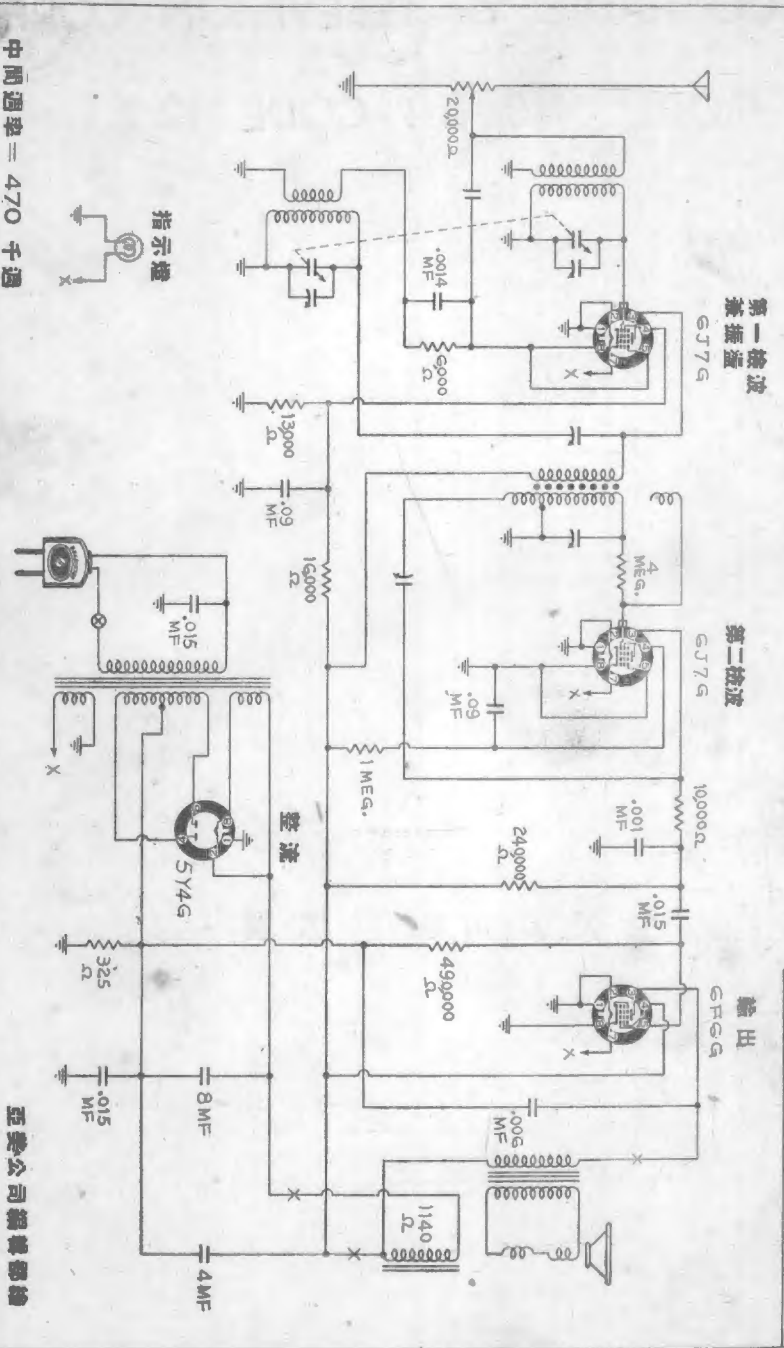


PHILCO RADIO & TELEVISION CORP.

MODEL 37-84 CODE 122

亞美公司編輯部製

Philco Radio & Television Corp.  
 MODEL 37-84 CODE 122



中間週率 = 470 千週

亞美公司標機設計

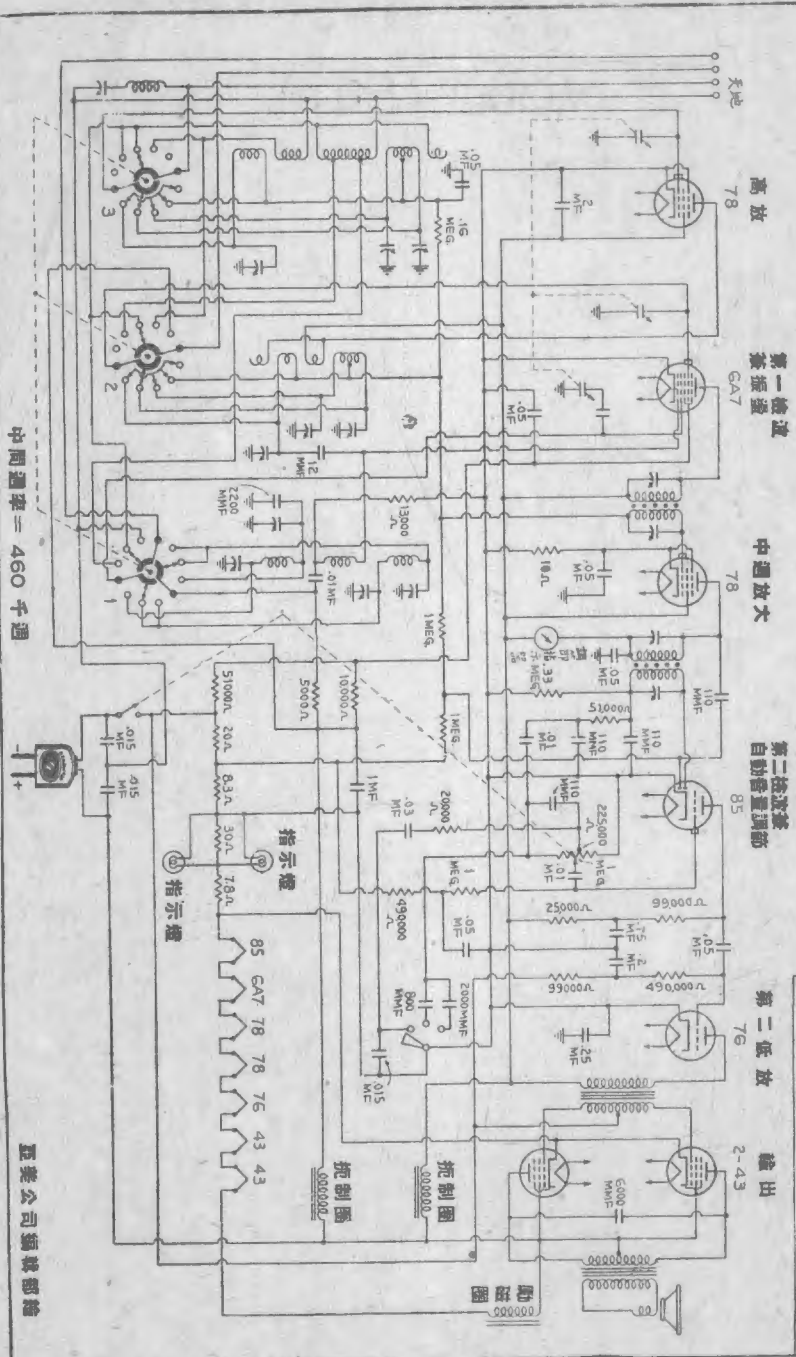
PHILCO RADIO CORP.

MODEL 641

亞美公司編輯部製



PHILCO RADIO CORP.  
MODEL 641



中間週率 = 460 千週

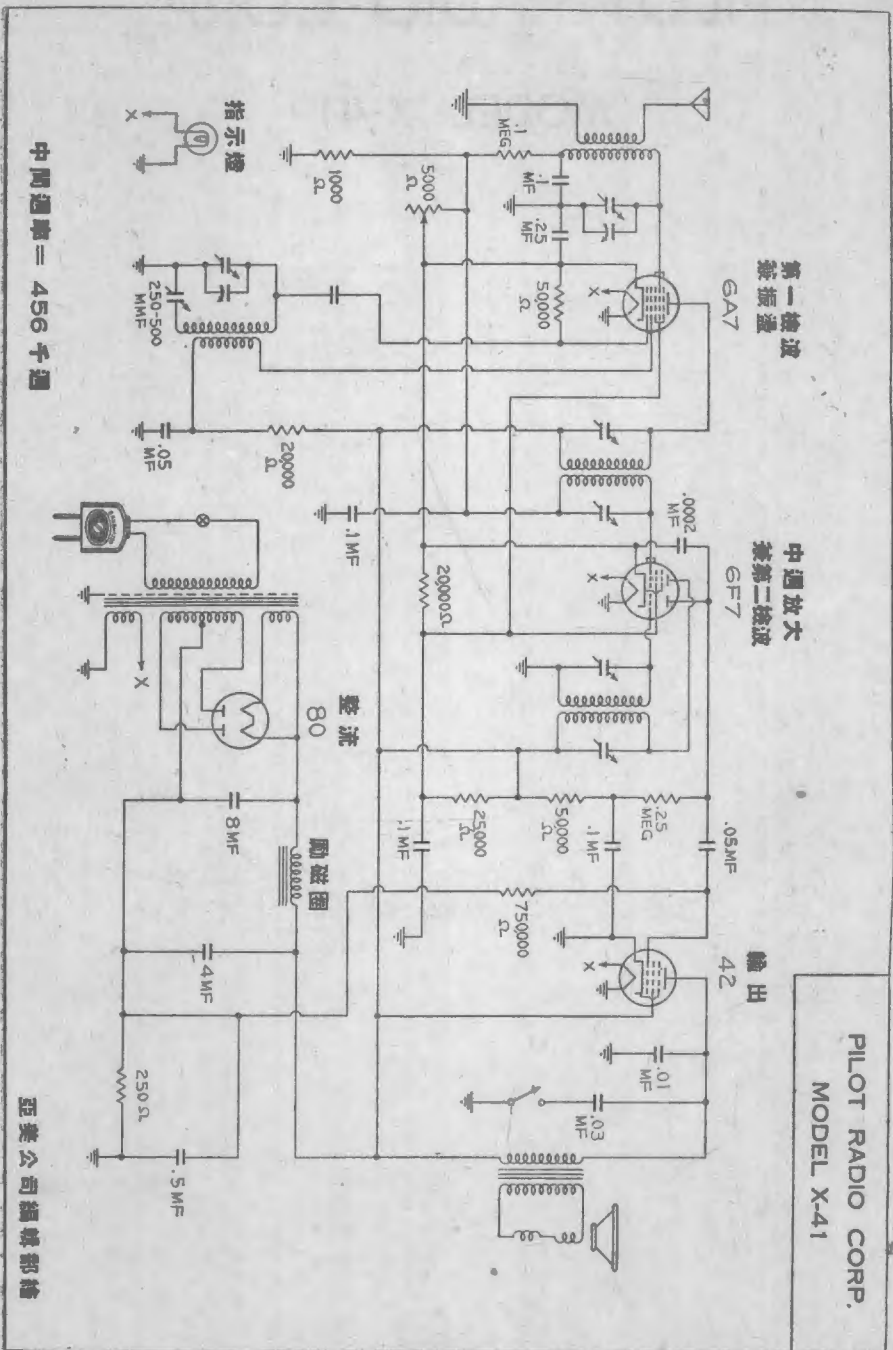
亞美公司總機部繪

PILOT RADIO CORP.

MODEL X-41

亞美公司編輯部製

PILOT RADIO CORP.  
MODEL X-41

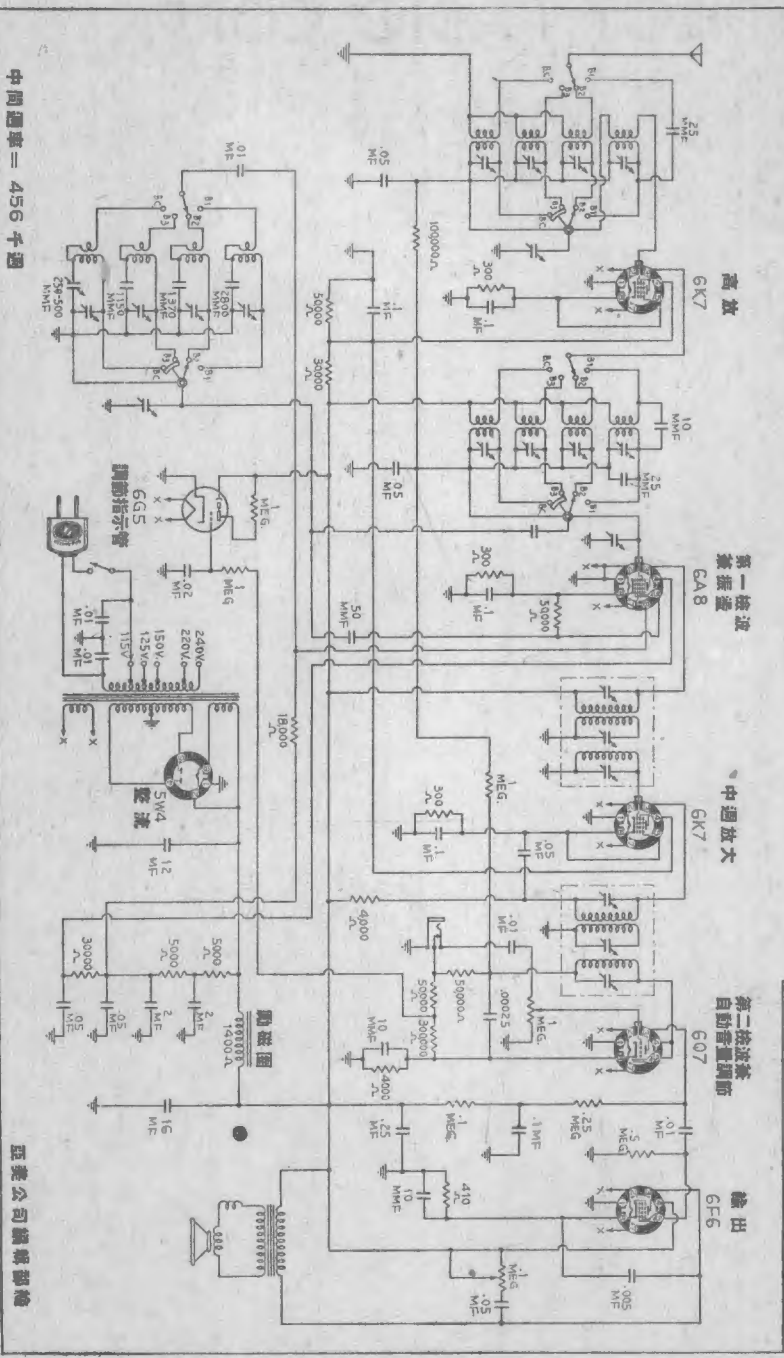


PILOT RADIO CORP.

MODEL 294

亞美公司編輯部製

PILOT RADIO CORP.  
MODEL 294



中間調率 = 456 千週

亞美公司編製

# PILOT RADIO CORPORATION

MODEL M-2203 & M-2205

亞美公司編輯部製



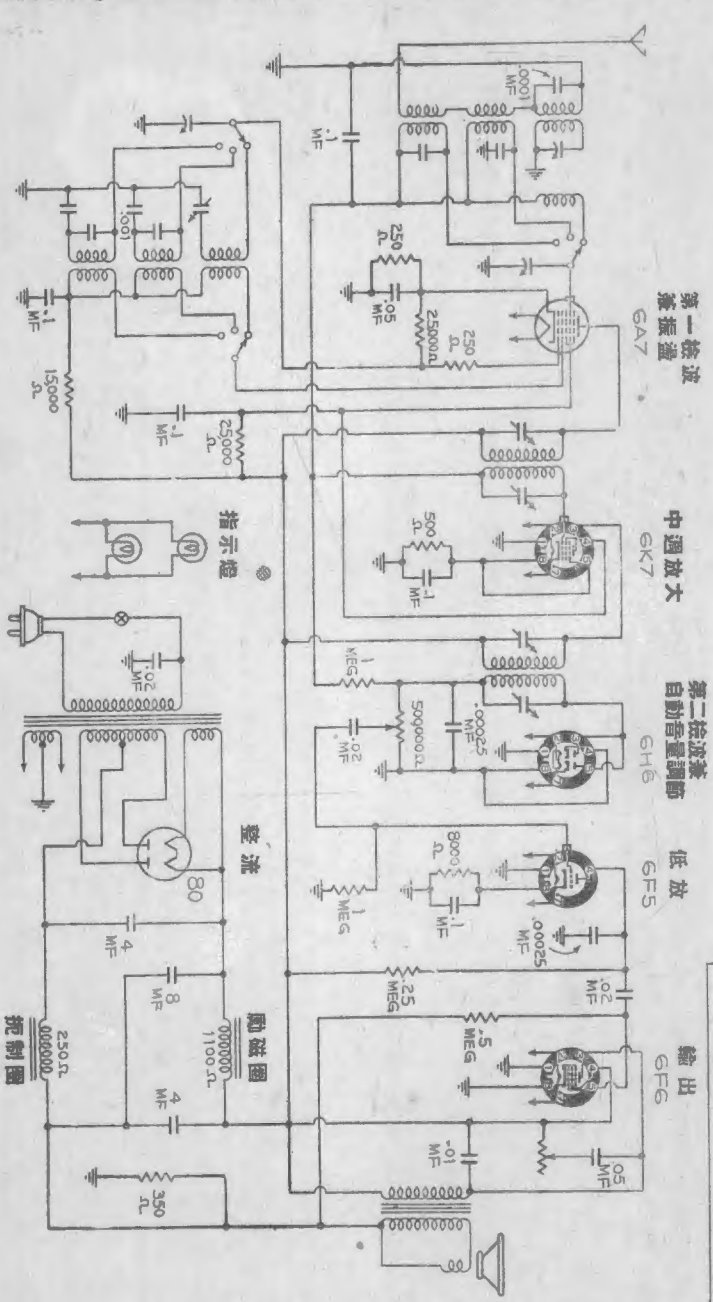
**RADOLEK COMPANY**

**MODEL 10,943**

亞美公司編輯部製



RADOLEK COMPANY  
MODEL 10.943



中間週率 = 456 千週

亞美公司編製部繪

**RADOLEK COMPANY**

**MODELS K16 & 756**

亞美公司編輯部製

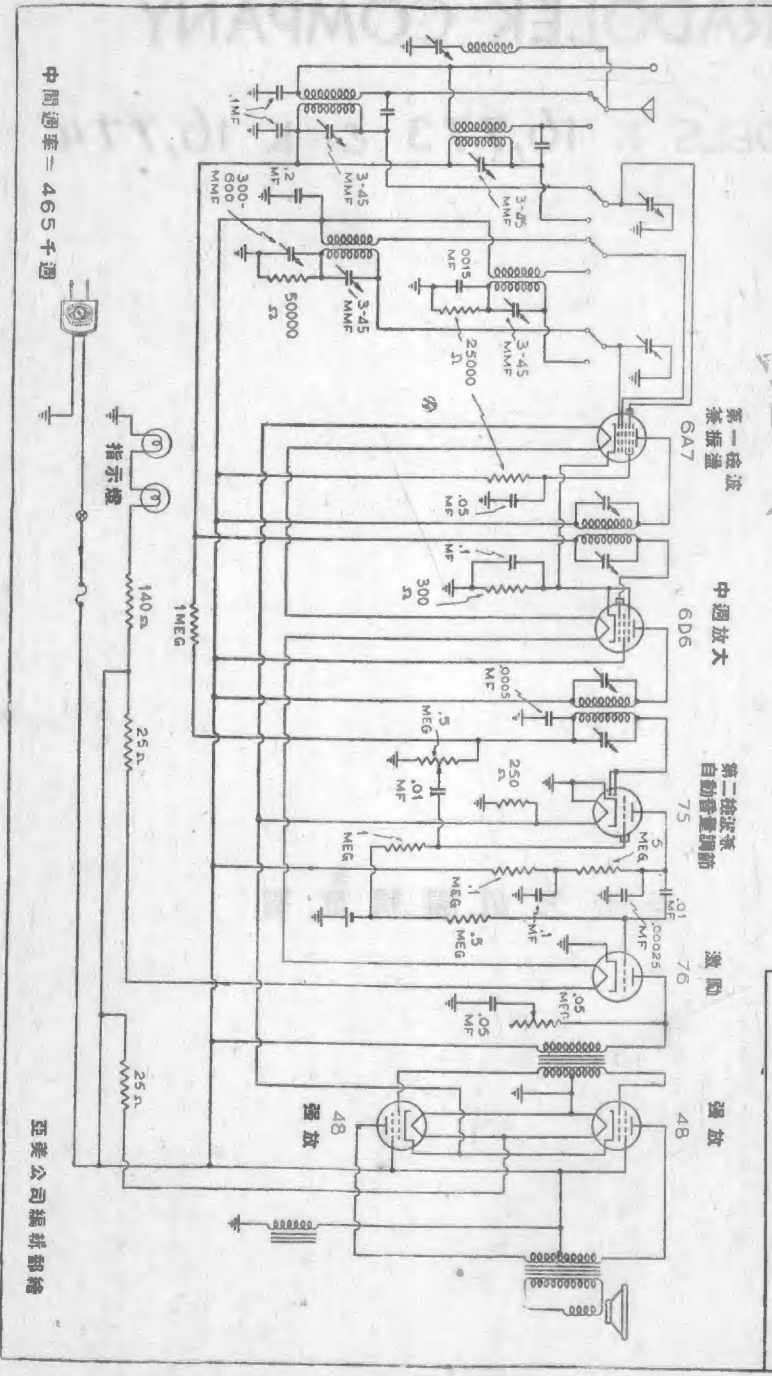


# RADOLEK COMPANY

MODELS K 16,773 & K 16,774

亞美公司編輯部製

RADOLEK COMPANY  
 MODELS K16.773 & K16.774



中間週率 = 465 千週

亞美公司編製圖繪

RCA VICTOR

MODEL 5Q5 5Q55 5Q56 & 6Q7

亞美公司編輯部製



RCA-VICTOR CO., INC.

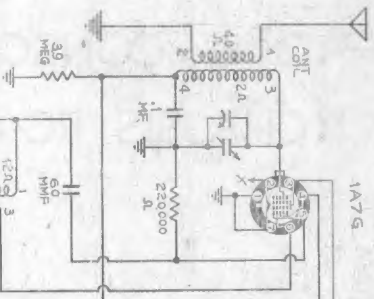
MODEL BT-42 & CONSOLE MODEL BK-42  
(CHASSIS RC-408A)

亞美公司編輯部製

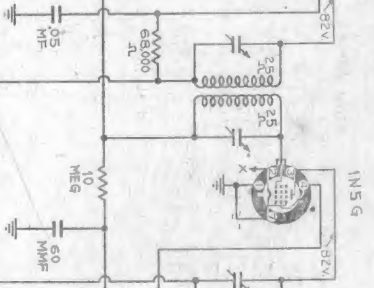


RCA-VICTOR CO., INC.  
 MODEL 5T-42 & CONSOLE MODEL BK-42  
 (CHASSIS RC-408A)

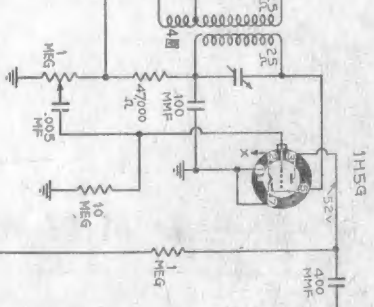
第一檢波  
 兼振盪  
 1A7G



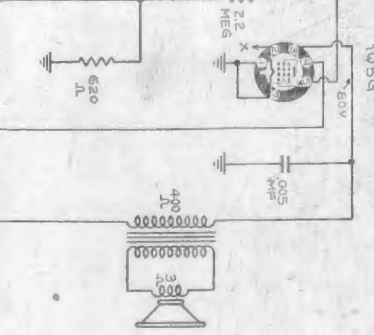
中週放大  
 1N5G



第二檢波兼  
 自動音量調節  
 1B5G



輸出  
 1Q5G



中間週率 = 455 千週



亞美公司編製部繪

RCA VICTOR

MODEL 6Q1

亞美公司編輯部製



R. C. A.  
MODEL 6Q4, 7Q4

亞美公司編輯部製

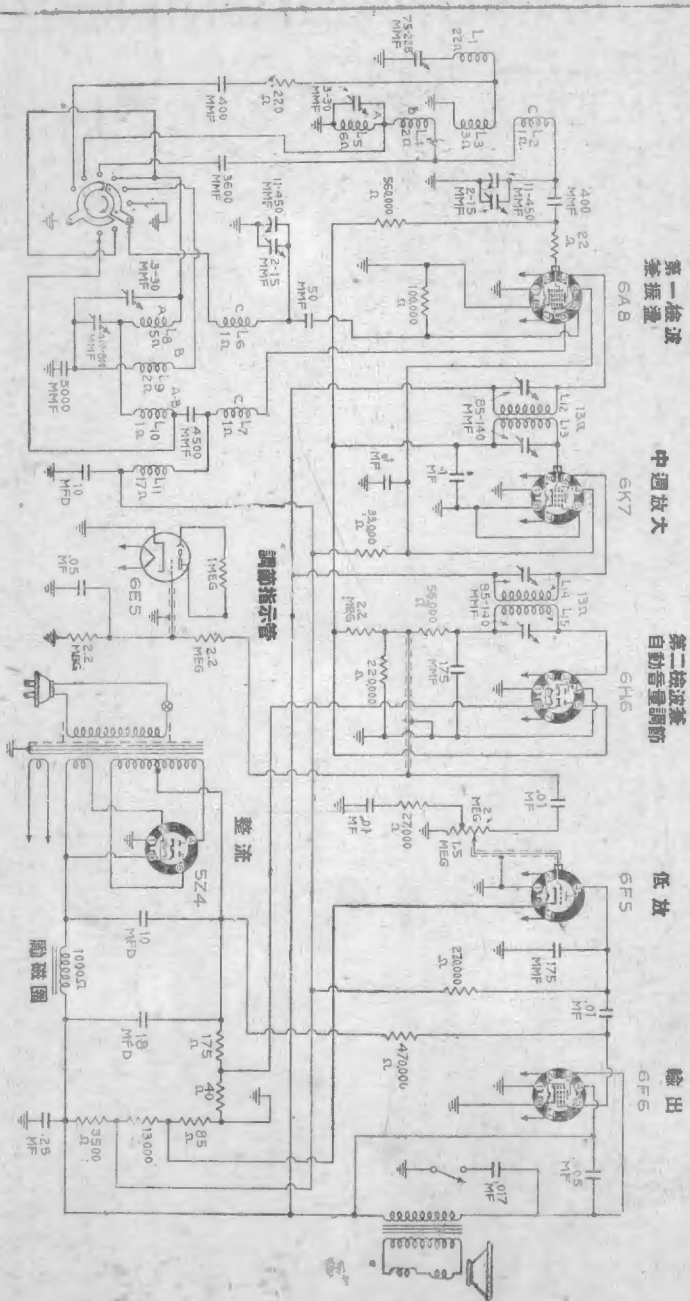


RCA MANUFACTURING CO.

MODELS T7-12 & C7-14

亞美公司編輯部製

RCA MANUFACTURING CO.  
 MODELS 17-12 & C7-14



中間週率 = 460 千週

亞美公司 總裝部 繪

RCA CO.

Psu 8A, 8B, 8C, 10A, 10B & 10C, A-C Power  
Supply Units Psu 8E & 10E D-C Power Supply Units

亞美公司編輯部製



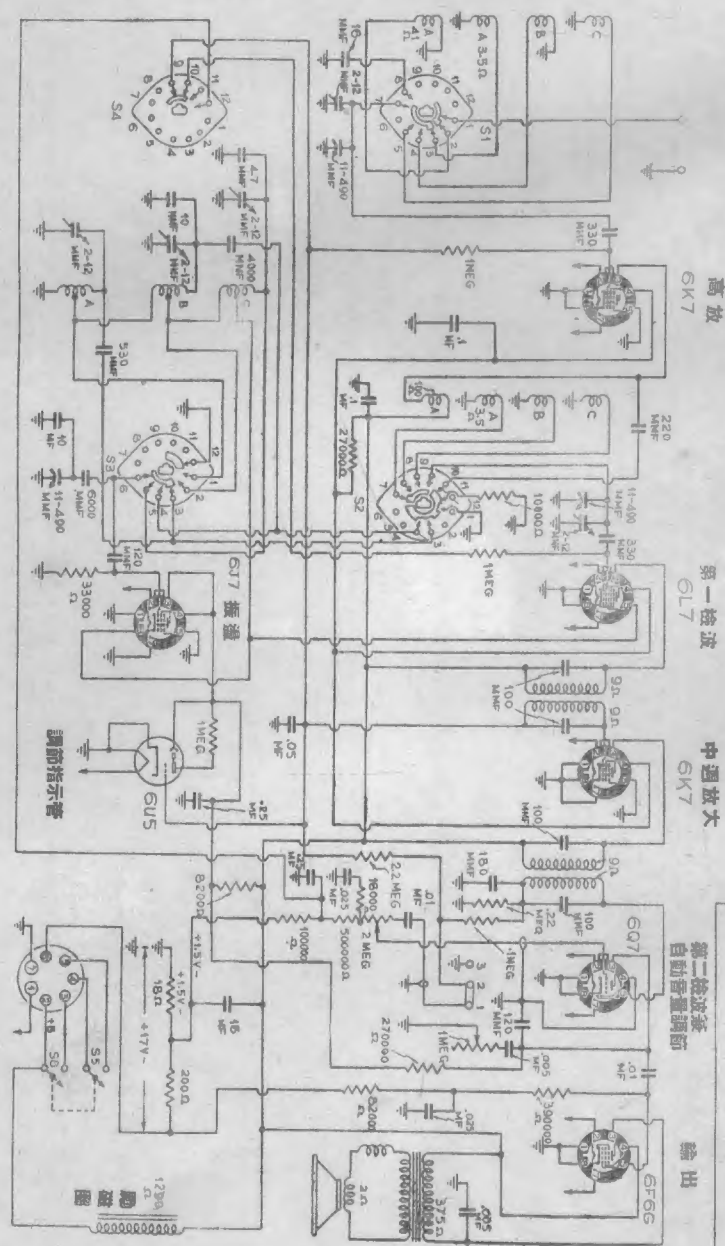


RCA VICTOR

MODEL 8Q1

亞美公司編輯部製

RCA VICTOR  
MODEL 8Q1



中週週率 = 455 千週

亞美公司攝製線

RCA-VICTOR CO., INC.

MODELS 8Q2, 8QU5C 8QU5M

亞美公司編輯部製

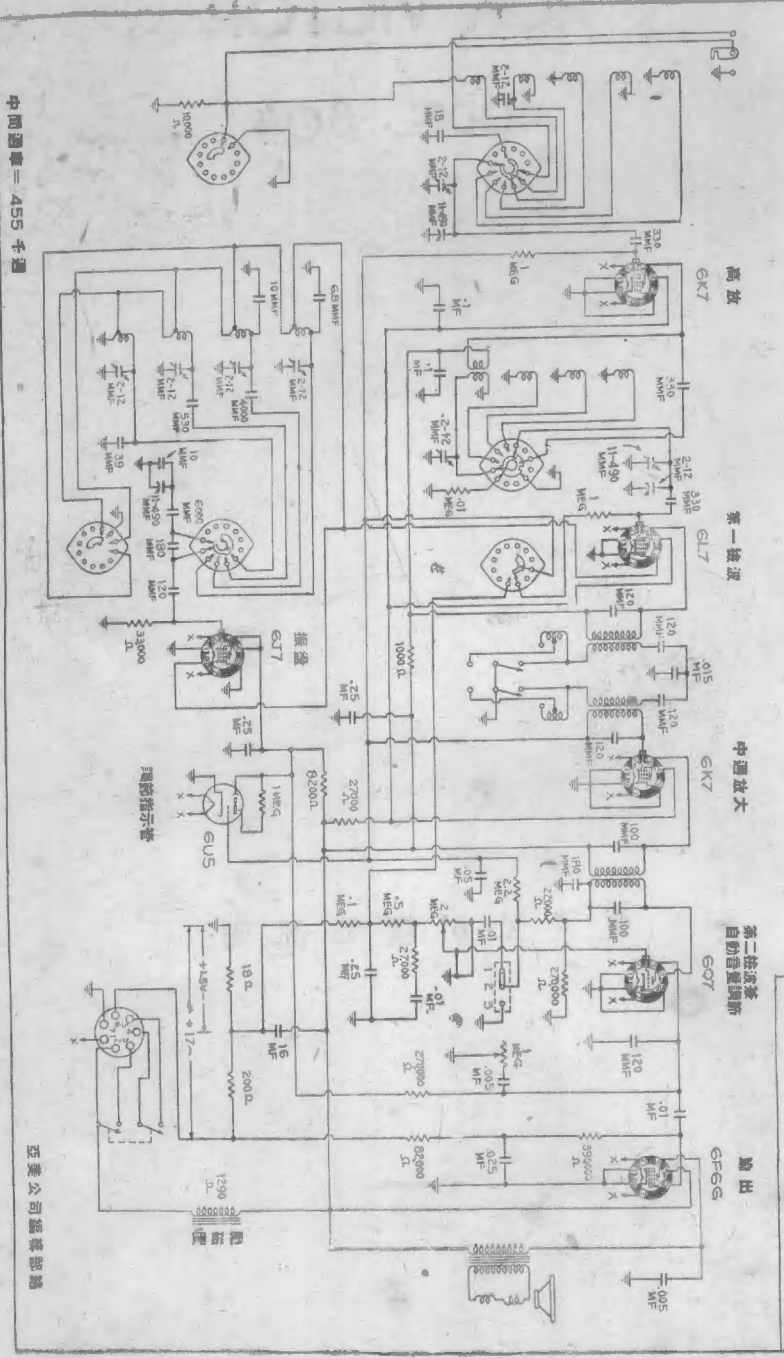


RCA VICTOR

MODEL 8Q4

亞美公司編輯部製

RCA VICTOR  
MODEL 8Q4



中間調波 = 455 千週

亞美公司攝錄器

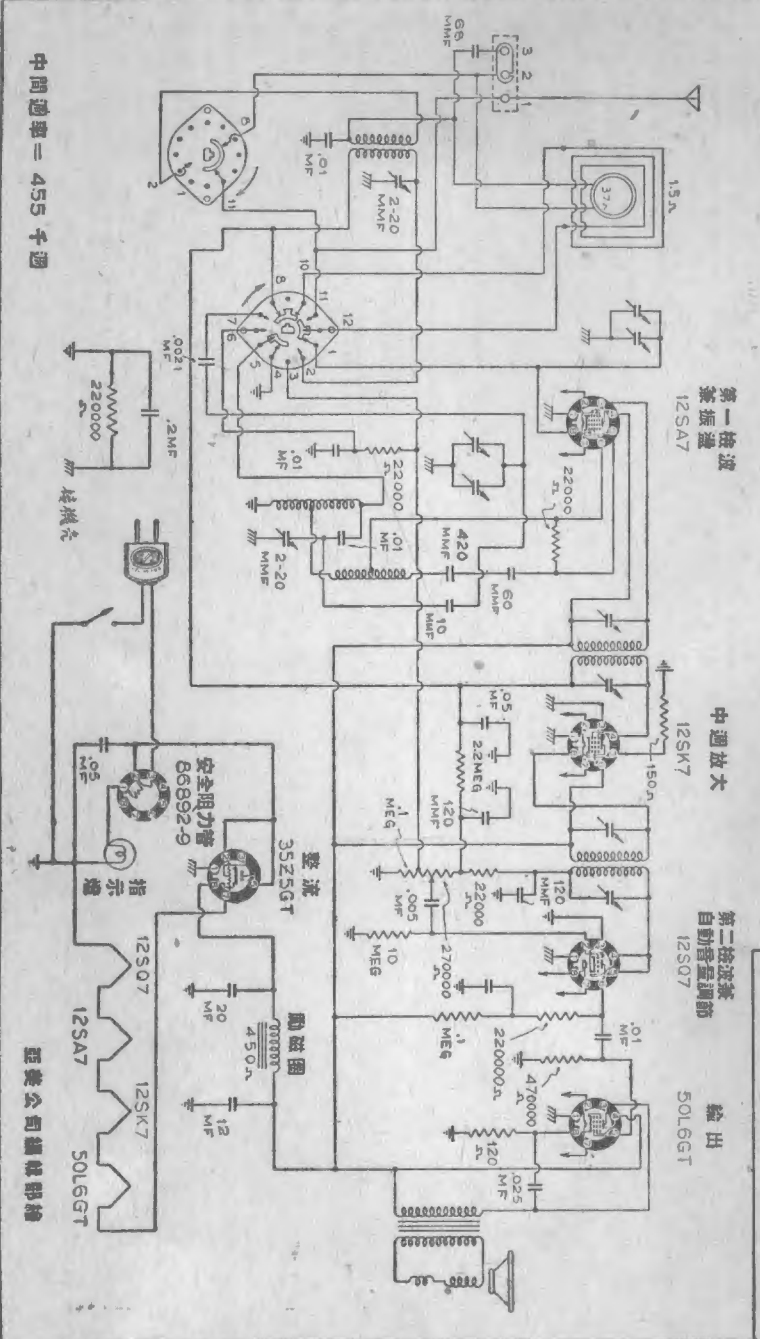
RCA-VICTOR CO., INC.

MODELS 46XII, 46XI2 AND 46XI3

亞美公司編輯部製



RCA-VICTOR CO., INC.  
 MODELS 46X11, 46X12 AND 46X13



中間週率 = 455 千週

亞美公司攝錄部繪

RCA-VICTOR CO.  
MODELS 86T3 & 87TI

亞美公司編輯部製

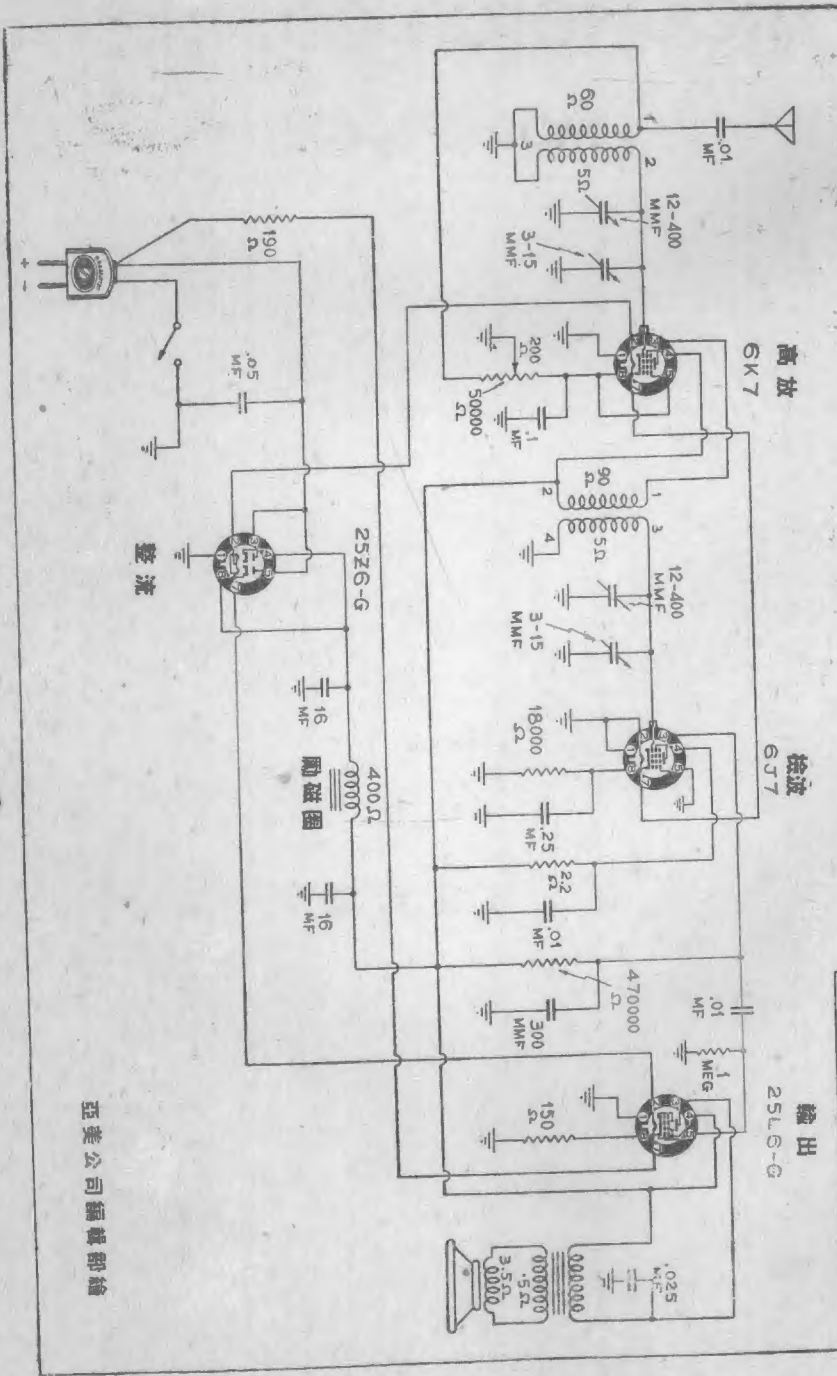


RCA-VICTOR CO., INC.

MODEL 94X

亞美公司編輯部製

RCA VICTOR CO., INC.  
 MODEL 94X



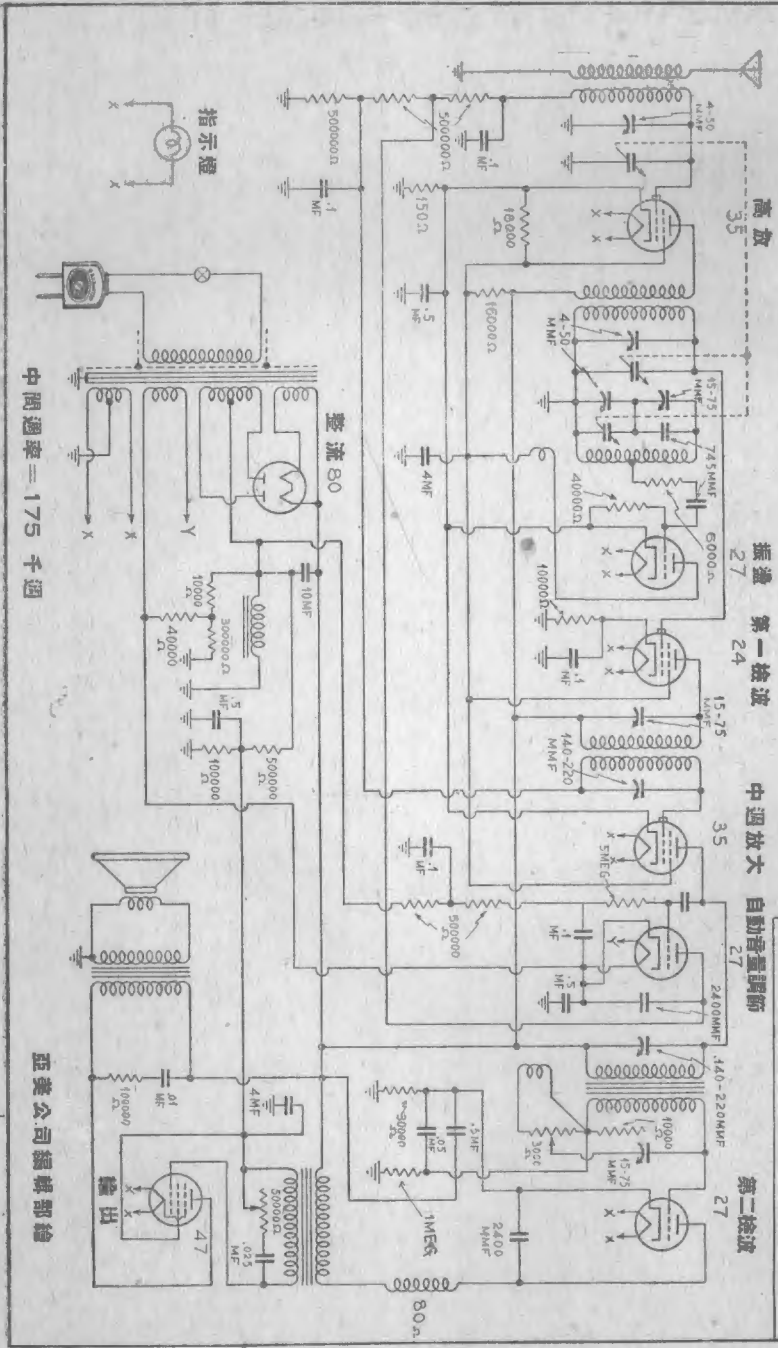
亞美公司編製附繪

RCA-VICTOR CO., INC.

MODEL R-10

亞美公司編輯部製

RCA-VICTOR CO., INC.  
MODEL R-10



中間週率 = 175 千週

亞美公司攝機部繪

**RCA VICTOR**

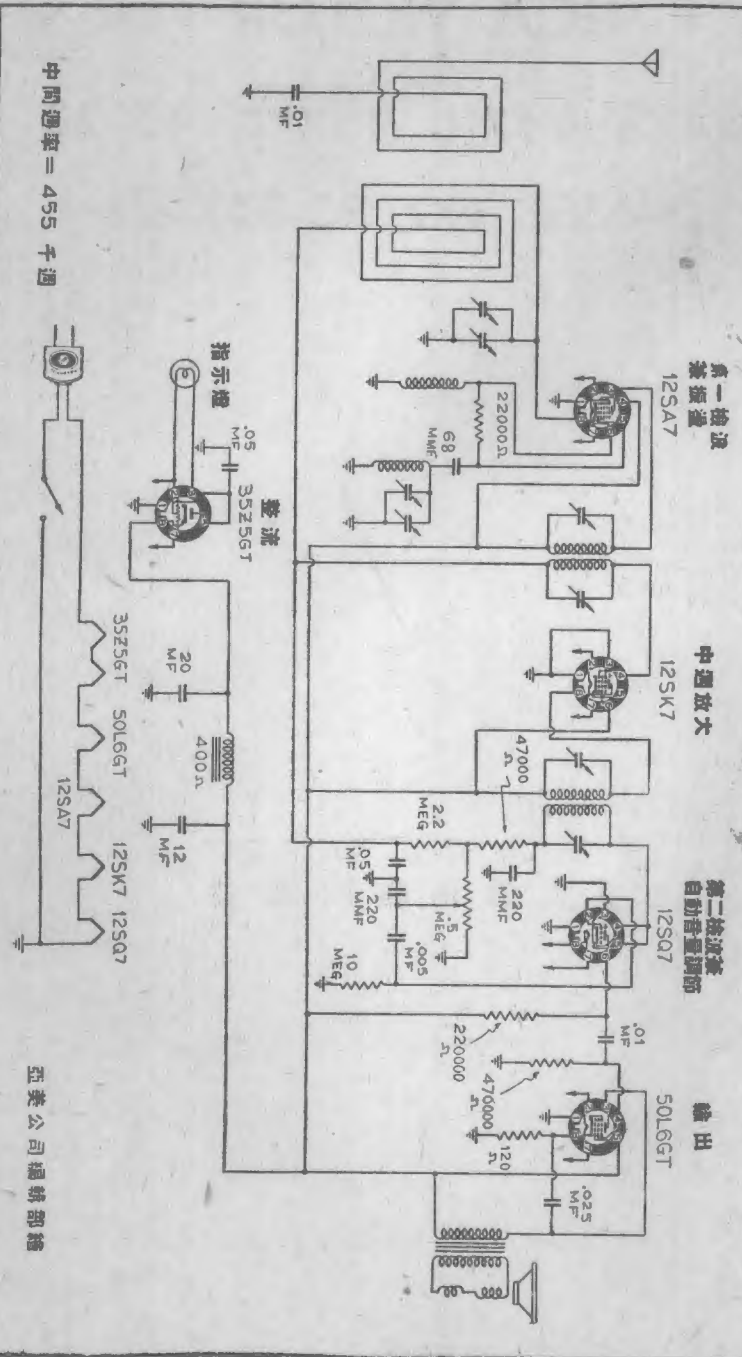
**MODELS 45XII, 45XI2, 45XI3**

**(CHASSIS NO. RC-4594)**

亞美公司編輯部製



RCA VICTOR  
 MODEL S 45X11 45X12 45X13  
 (CHASSIS NO RC-4594)



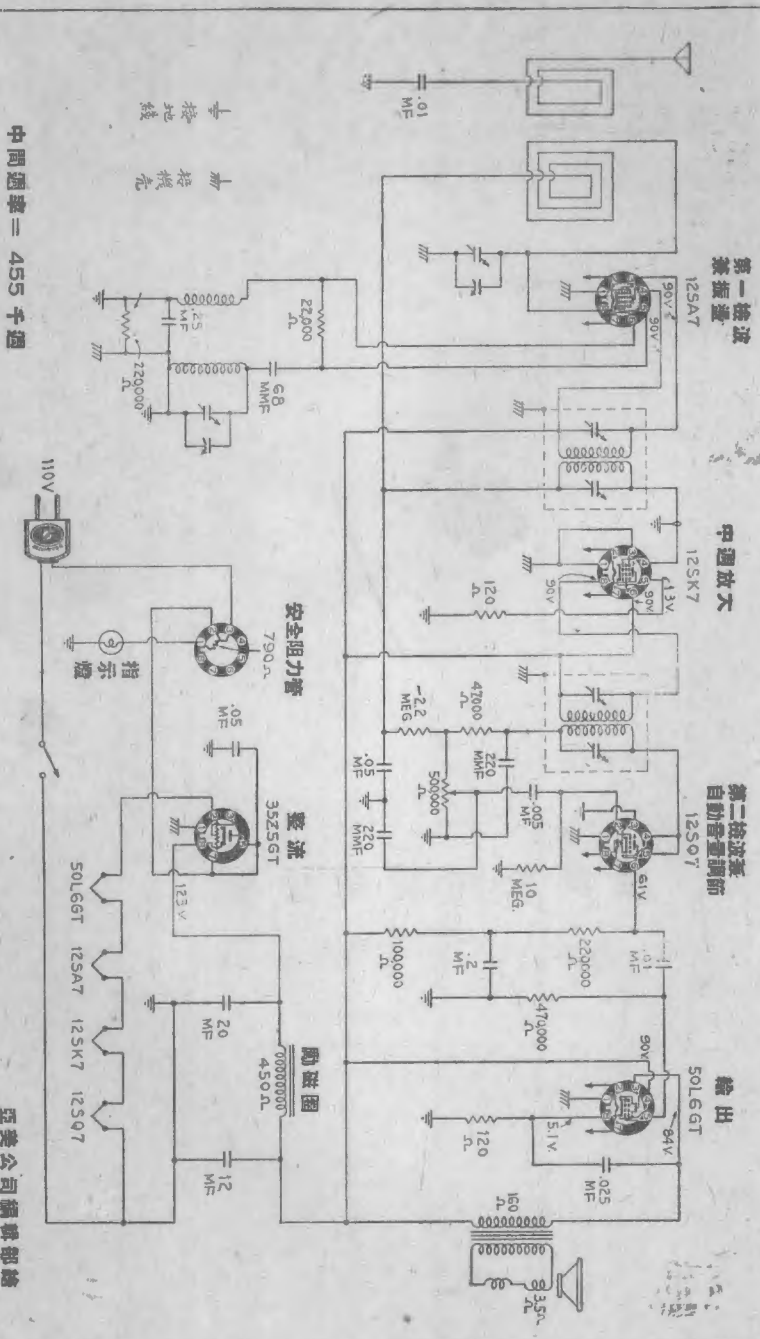
中間週率 = 455 千週

亞美公司編輯部繪

RCA-VICTOR CO., INC.  
MODELS 46X1, 46X2 & 46X3

亞美公司編輯部製

RCA-VICTOR CO., INC.  
 MODELS 46X1, 46X2 & 46X3



中間週率 = 455 千週

亞美公司編製部繪

原书缺页

原书缺页

原书缺页

原书缺页

原书缺页



原书缺页

RCA-VICTOR CO., INC.

MODELS 94BKI & 94BTI

亞美公司編輯部製

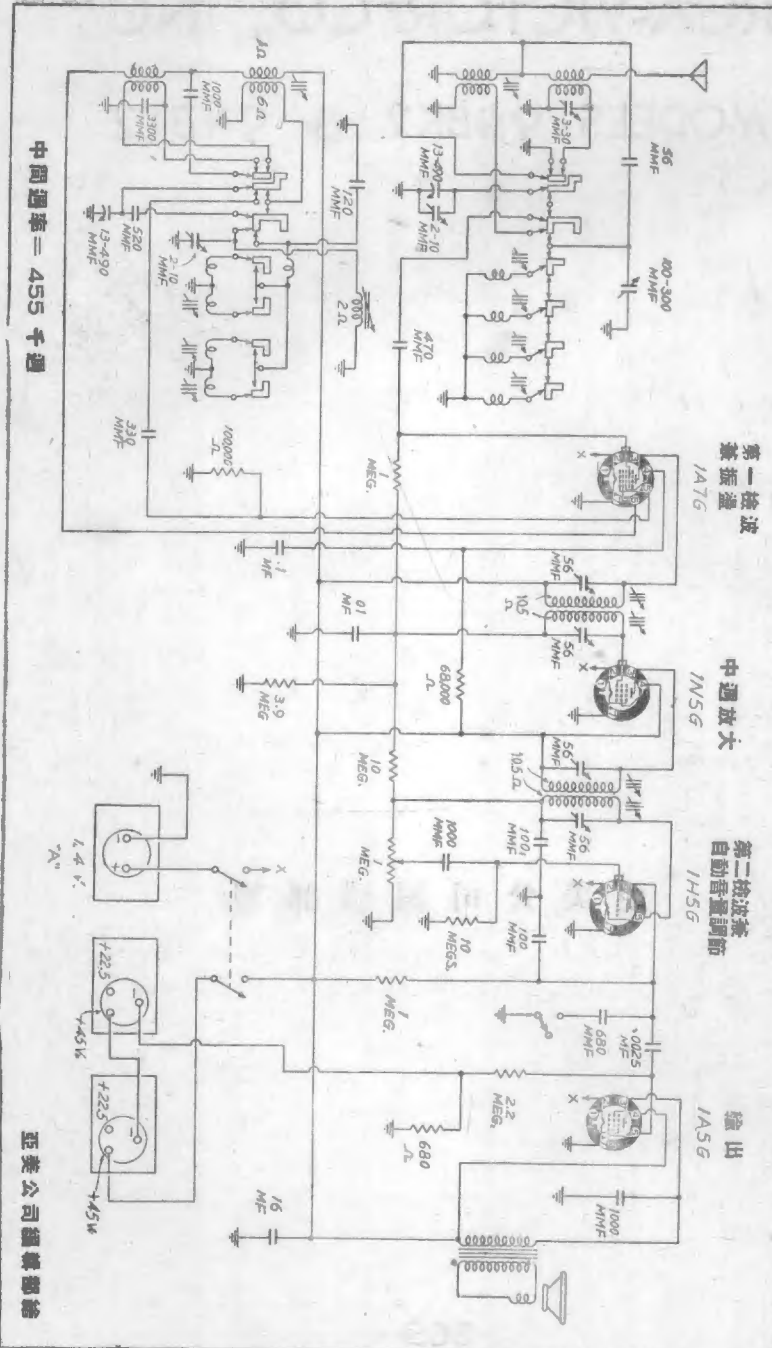


RCA-VICTOR CO., INC.

MODELS 94BK2 & 94BT2

亞美公司編輯部製

RCA-VICTOR CO., INC.  
 MODELS 94BK2 & 94BT2



中間週率 = 455 千週

亞美公司製機圖給

RCA-VICTOR CO., INC.

MODEL 95T

亞美公司編輯部製



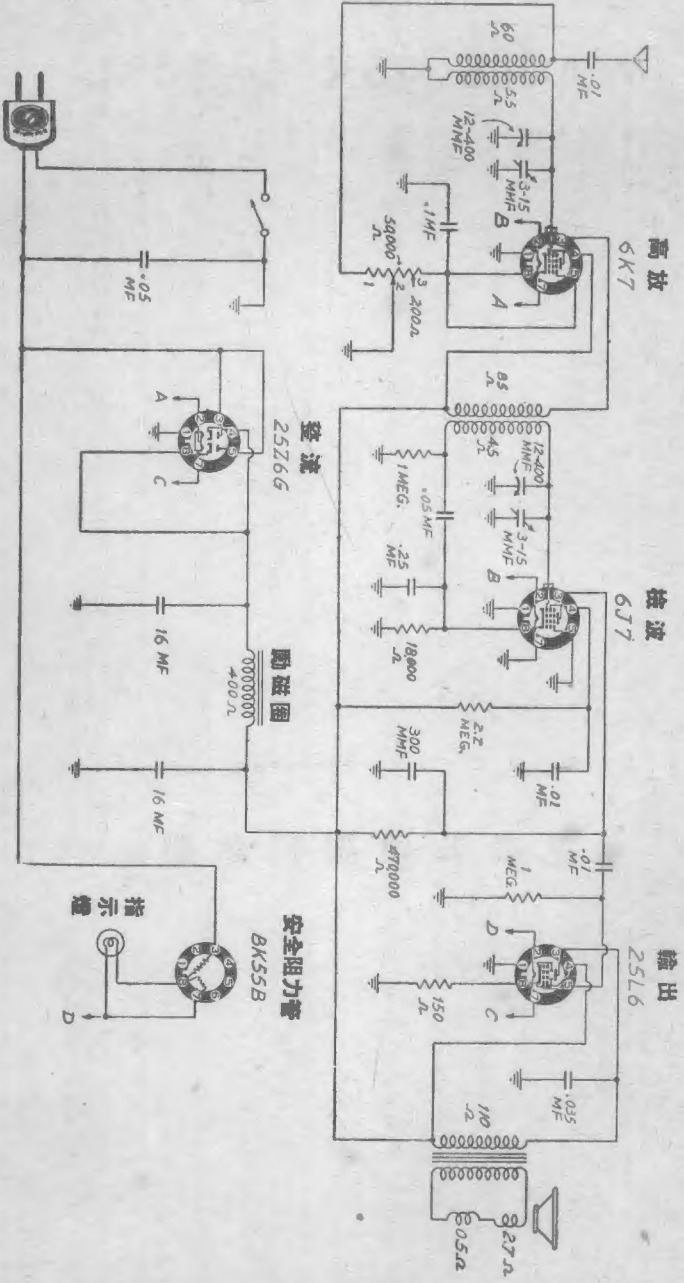
RCA-VICTOR CO., INC.

MODELS 95X & 95XL

亞美公司編輯部製



RCA-VICTOR CO., INC.  
 MODELS 95X & 95XL



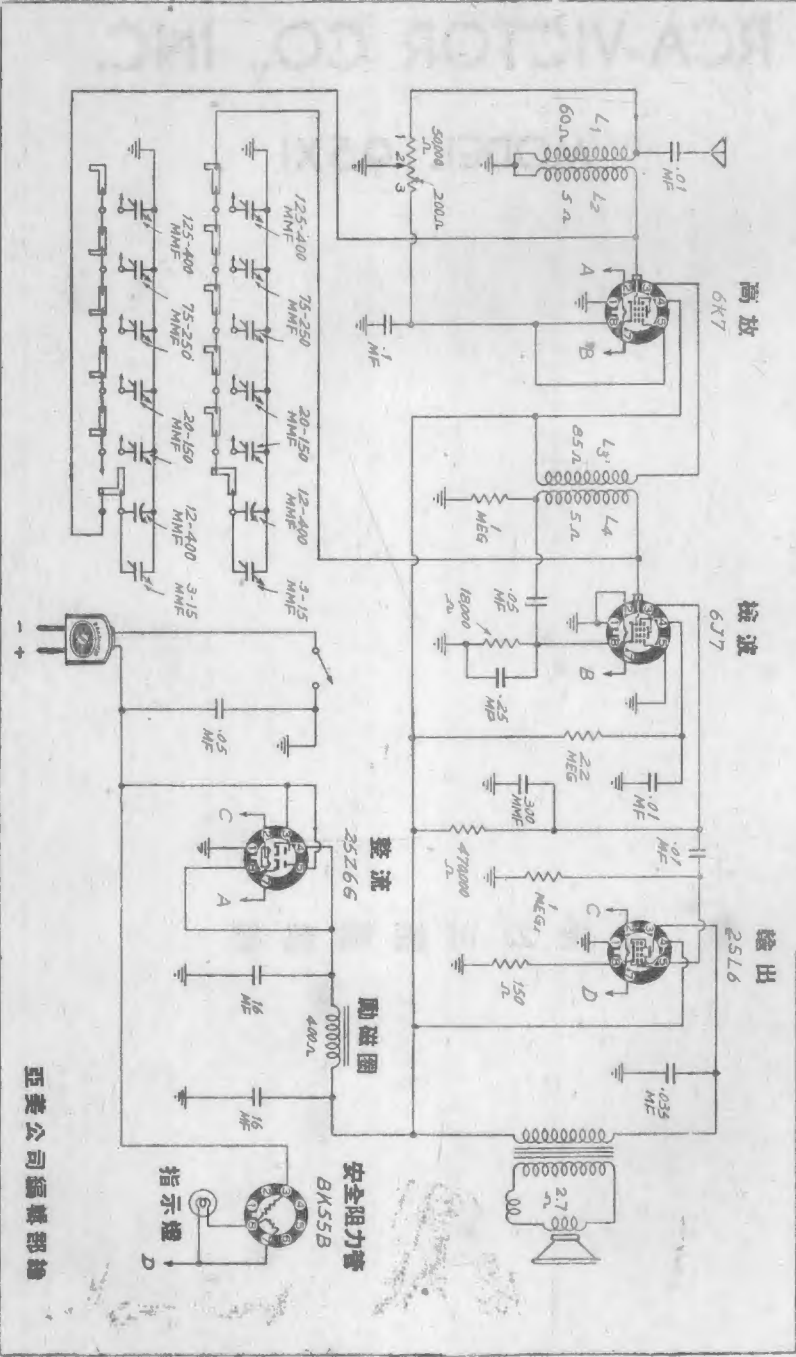
亞美公司獨家經銷

RCA-VICTOR CO., INC.

MODEL 95XI

亞美公司編輯部製

RCA-VICTOR CO., INC.  
 MODEL 95X1



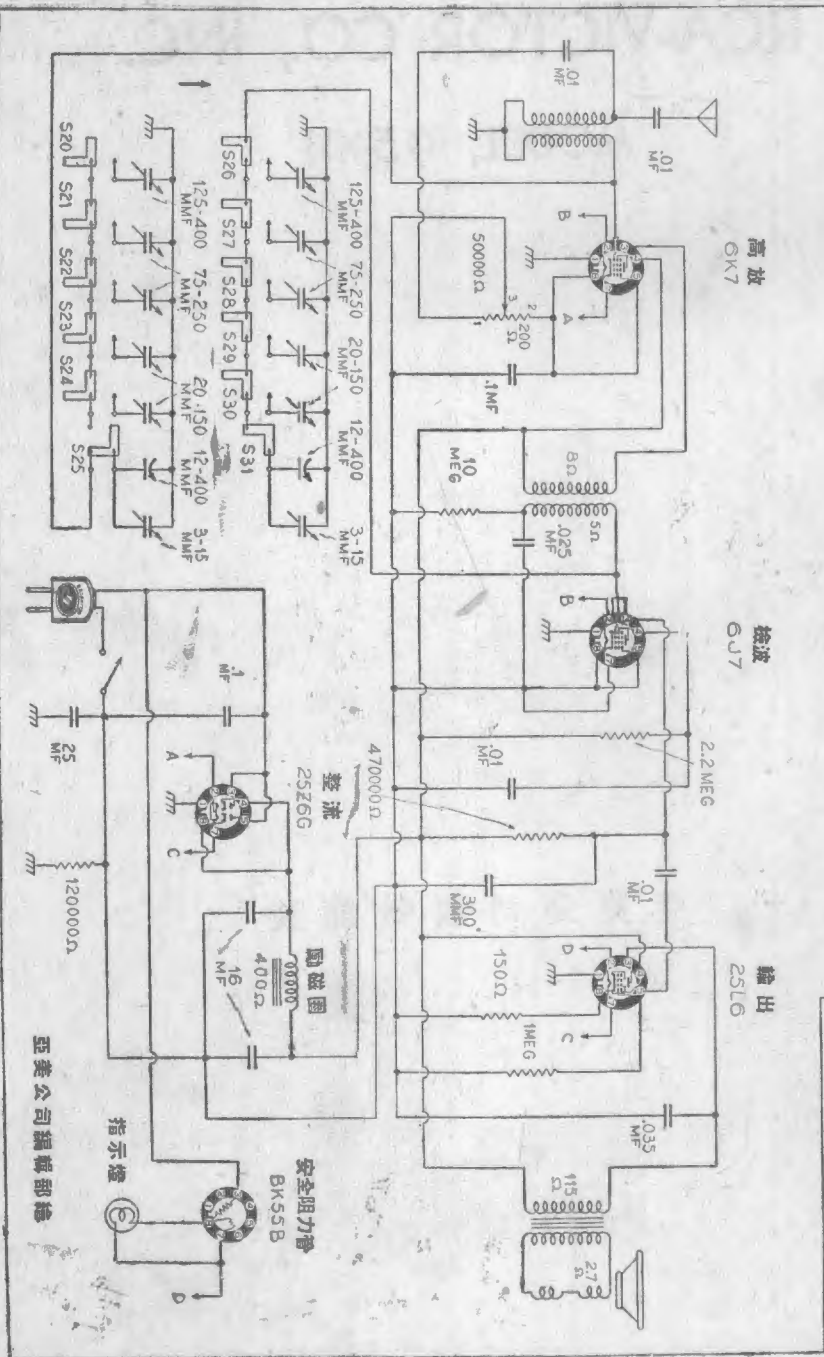
亞美公司編製部繪

RCA-VICTOR CO., INC.

MODEL 95XII

亞美公司編輯部製

RCA-VICTOR CO., INC.  
MODEL 95X11



亞美公司編輯部繪

RCA VICTOR CO.

MODELS 96K2, 96T3, 97E, 97KG, 97T

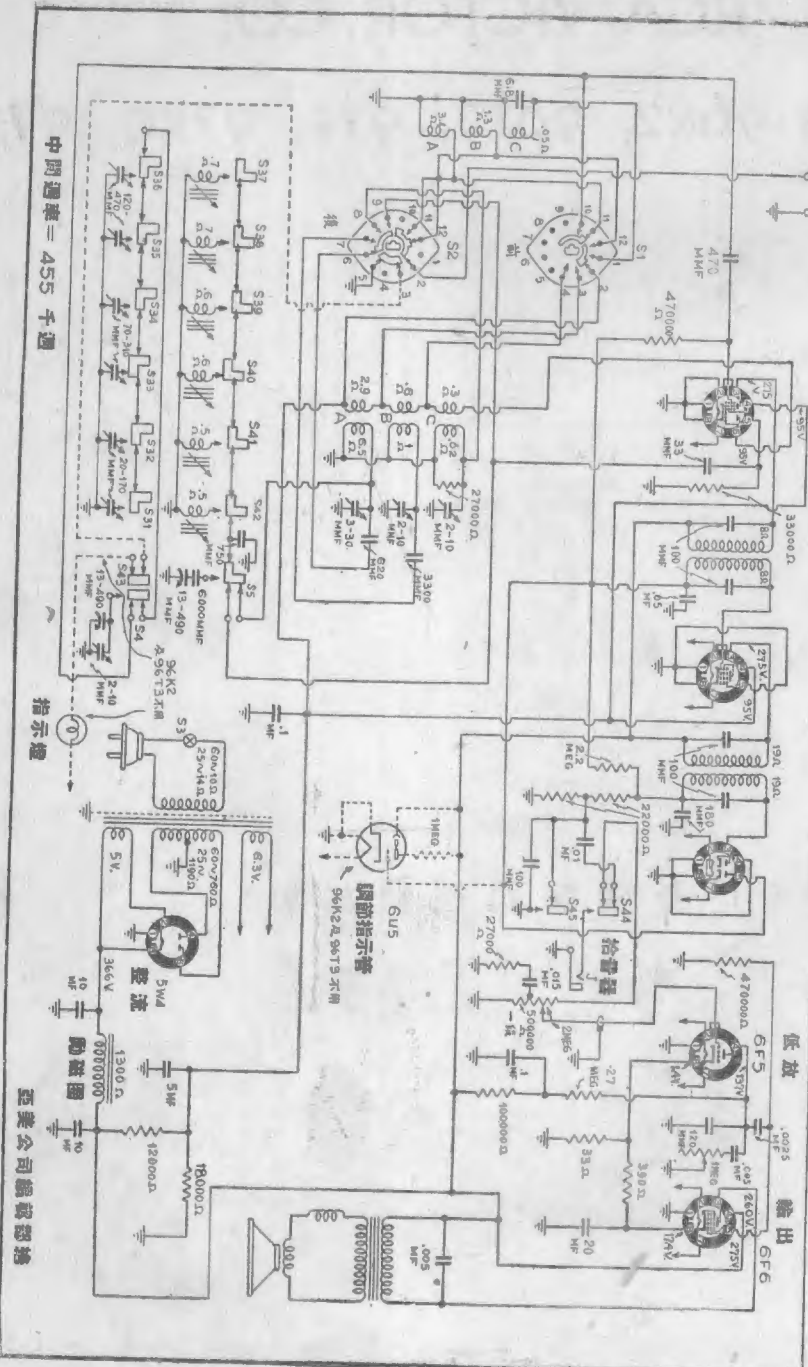
亞美公司編輯部製

RCA VICTOR CO.  
 MODEL S 96K2, 96T3, 97E, 98K6, 97T

第一檢波  
 兼振盪  
 6K8

中週放大  
 6K7

第二檢波兼  
 自動音量調節  
 6H6



中間週率 = 455 千週

亞美公司總發行

R. C. A. VICTOR

MODELS 96X-1,-2,-3,-4 & -11,-12,-13,-14

亞美公司編輯部製



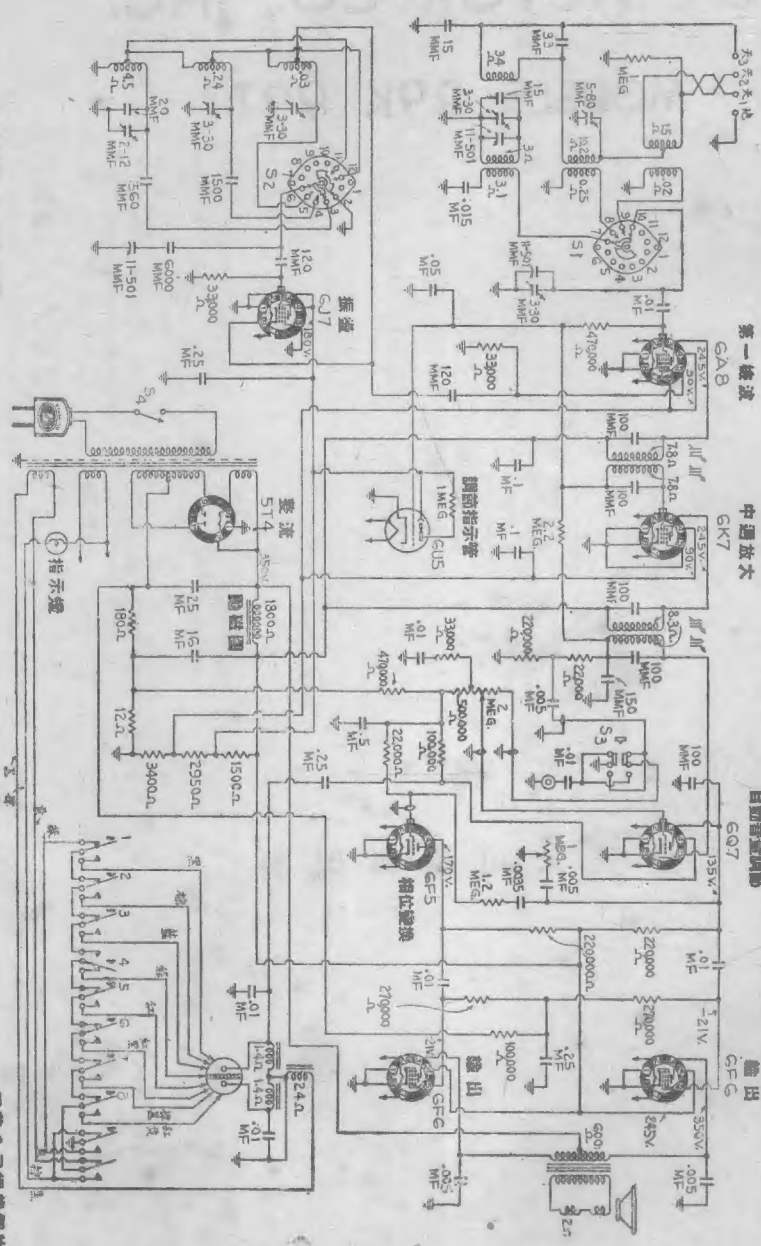


RCA VICTOR CO., INC.

MODELS 99K 99T

亞美公司編輯部製

RCA VICTOR CO., INC.  
 MODELS 99K 99T



中間週率 = 455 千週

亞美公司攝機部誌

RCA-VICTOR CO., INC.

MODELS U-101 & U-103

亞美公司編輯部製



RCA VICTOR CO., INC.

MODELS UI19, UI22E, UI24

亞美公司編輯部製



REMLER CO., LTD.  
MODEL 28 "SCOTTIE"  
(SERIAL No. 770 39 UP)

亞美公司編輯部製





SEARS ROEBUCK CO.

MODELS 4606, 4607, 4626, 4627, 4636,  
4637, 4646, 4647, 4726 & 4746

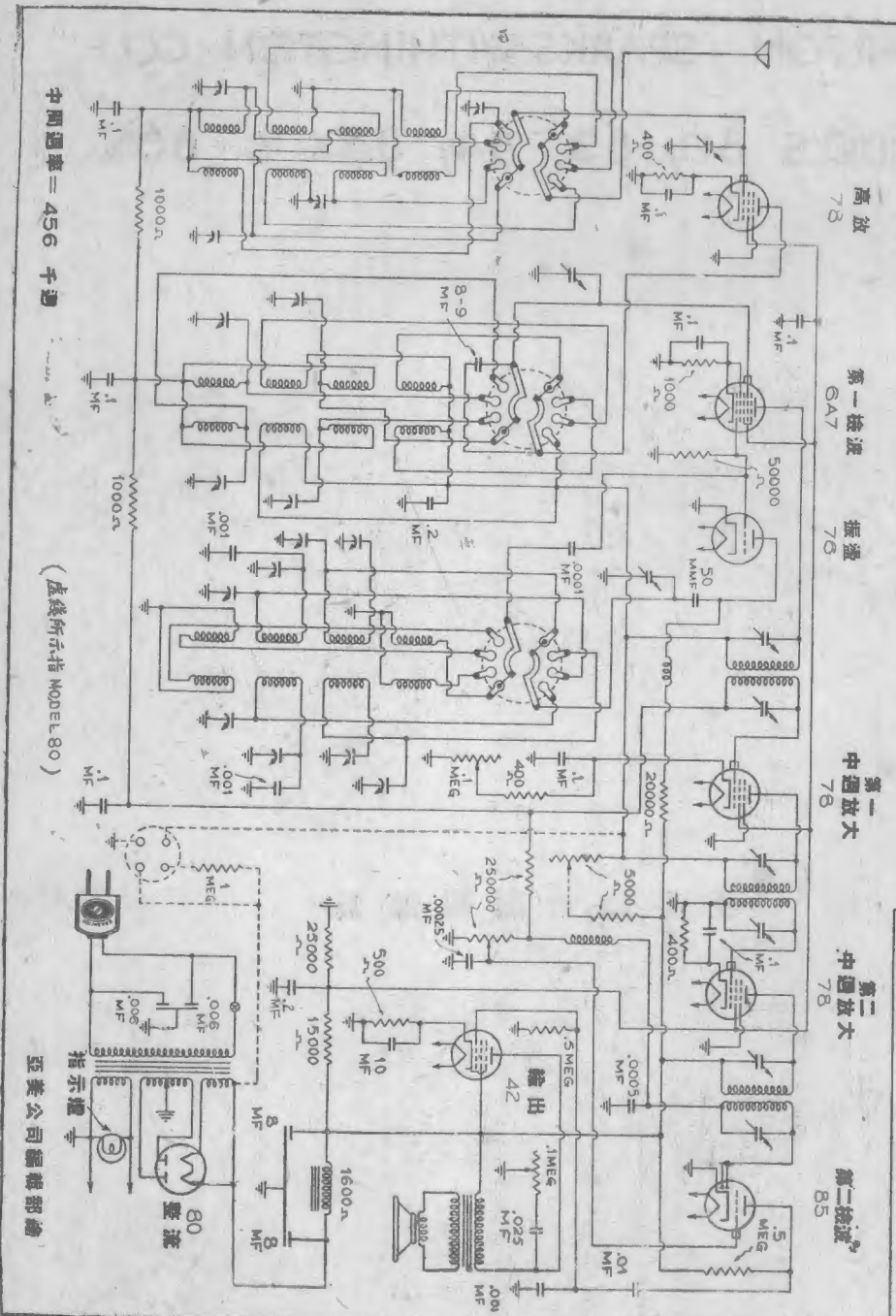
亞美公司編輯部製



SPARTON (SPARKS-WITHINGTON CO.)

MODELS 80, 83, 84, 85X & 86X

亞美公司編輯部製



中間週率 = 456 千週

(虛線所示指 MODEL 80)

亞美公司編輯部繪

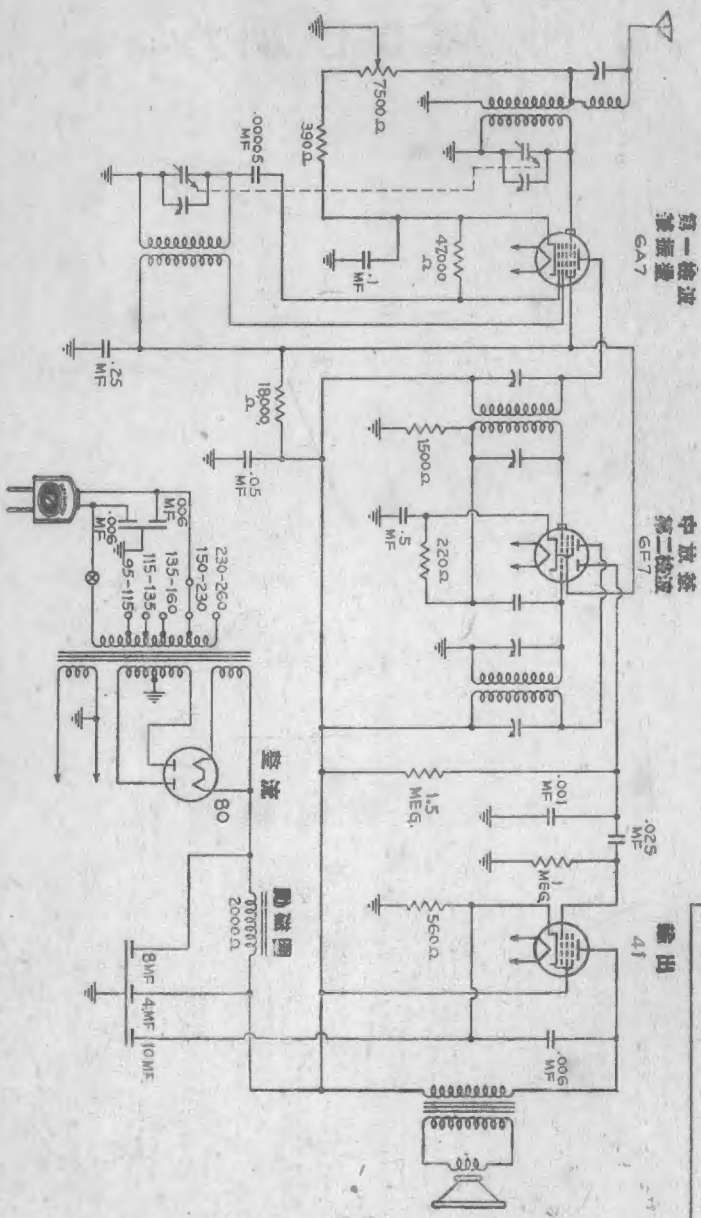
高放 78  
 第一檢波 6A7  
 檢波 7G  
 第一放大 7B  
 第二放大 7B  
 第二檢波 85

SPARKS-WITHINGTON CORP.

MODEL 417X

亞美公司編輯部製

SPARKS-WITHINGTON CO.  
MODEL 417X



中間週率 = 456 千週

亞美公司總機部繪

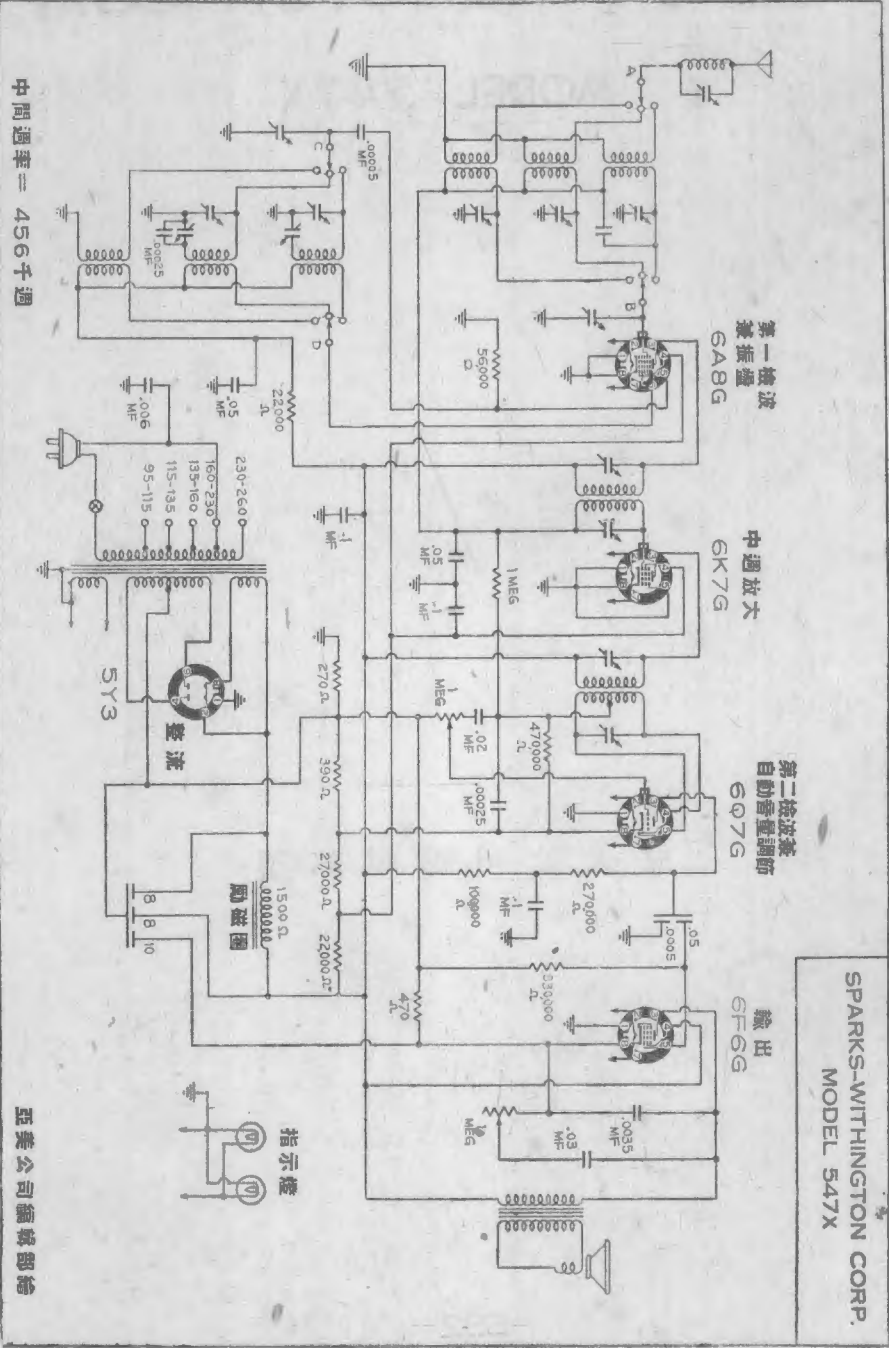
SPARKS-WITHINGTON CORP.

MODEL 547X

亞美公司編輯部製



SPARKS-WITHINGTON CORP.  
MODEL 547X



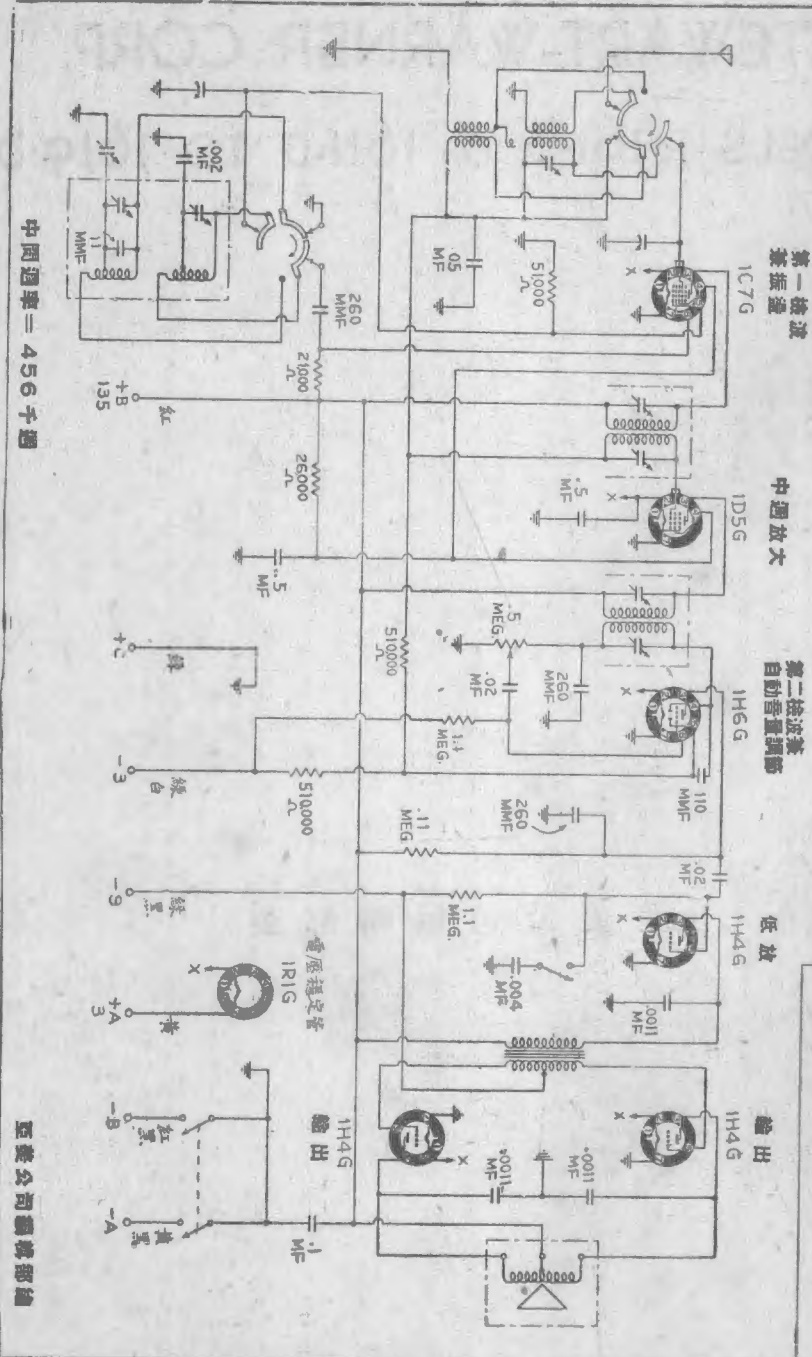
中間週率 = 456千週

亞美公司鑄模部繪

STEWART-WARNER CORP.  
MODELS R-161-D & 1611-D TO 1619-D

亞美公司編輯部製

STEWART-WARNER CORP.  
 MODELS R-161-D & 1611-D TO 1619-D



中間週率 = 456 千週

亞美公司 總機部 繪

STEWART-WARNER-CORP.

MODELS R-169 & 1691 TO 1695

亞美公司編輯部製



STEWART-WARNER CORP.

MODELS R171 & 1711 TO 1719

亞美公司編輯部製

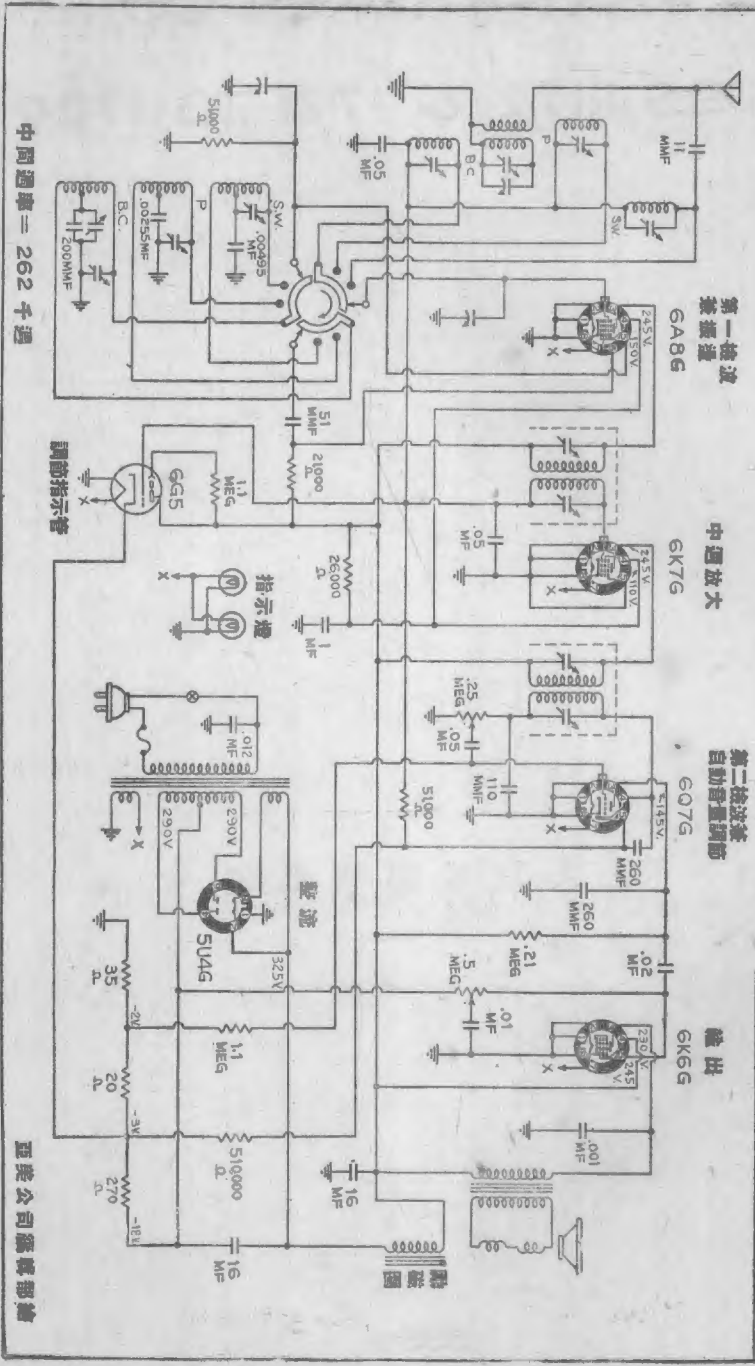


STEWART-WARNER CORP.  
MODELS R172 & 1721 TO 1729

亞美公司編輯部製



STEWART - WARNER CORP.  
 MODEL S R172 & 1721 TO 1728



中間週率 = 262 千週

亞美公司攝製部繪

STEWART-WARNER CORP.

MODELS R173 & 1731-1739

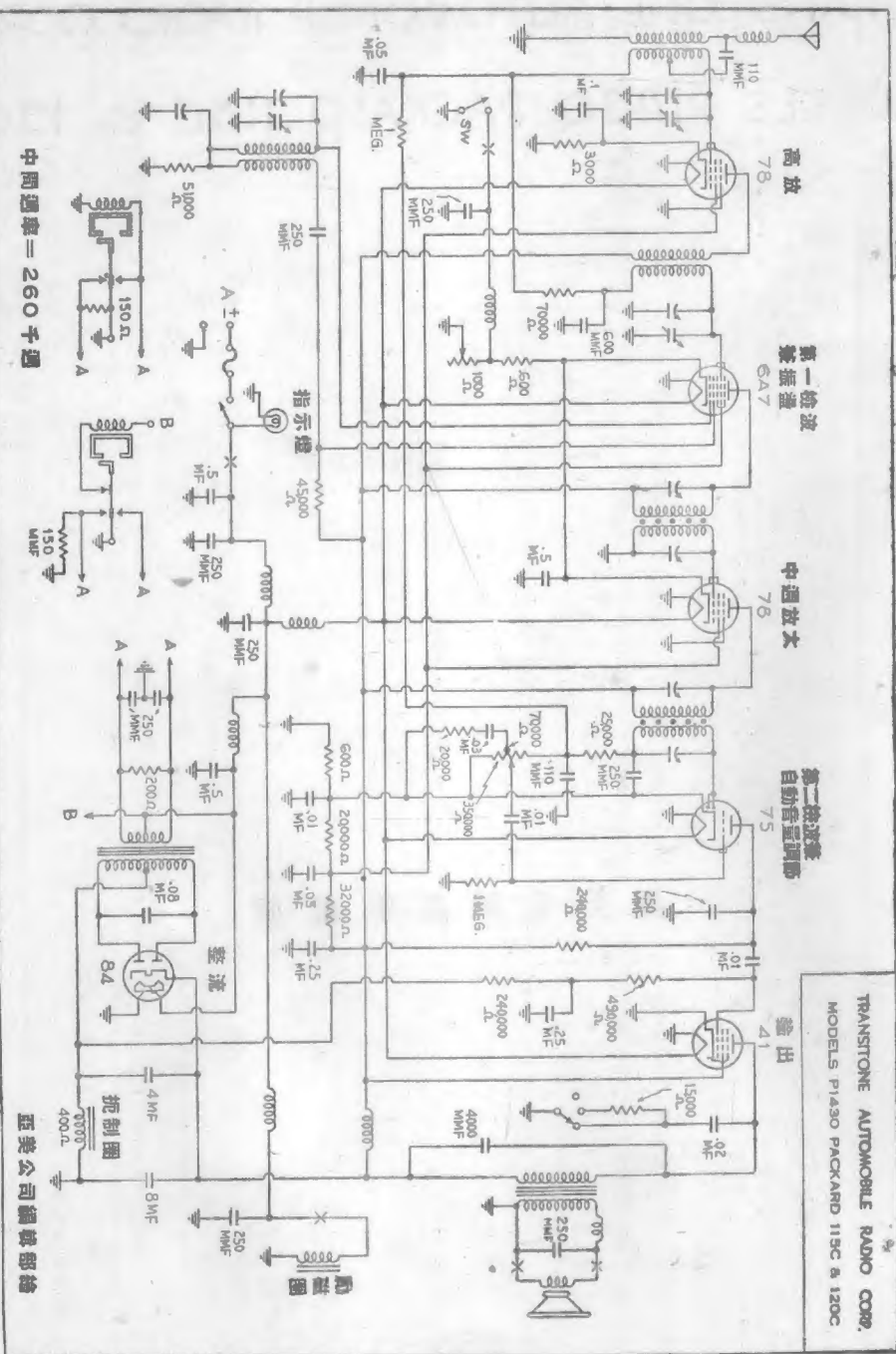
亞美公司編輯部製



TRANSITONE AUTOMOBILE RADIO CORP.  
MODELS PI430 PACKARD 115C & 120C

亞美公司編輯部製

TRANSTONE AUTOMOBILE RADIO CORP.  
 MODEL 5 P1430 PACKARD 115C & 120C



中間週率 = 260 千週

亞美公司編製部繪

ULTRAMAR MFG. CORP.

MODEL 51

亞美公司編輯部製



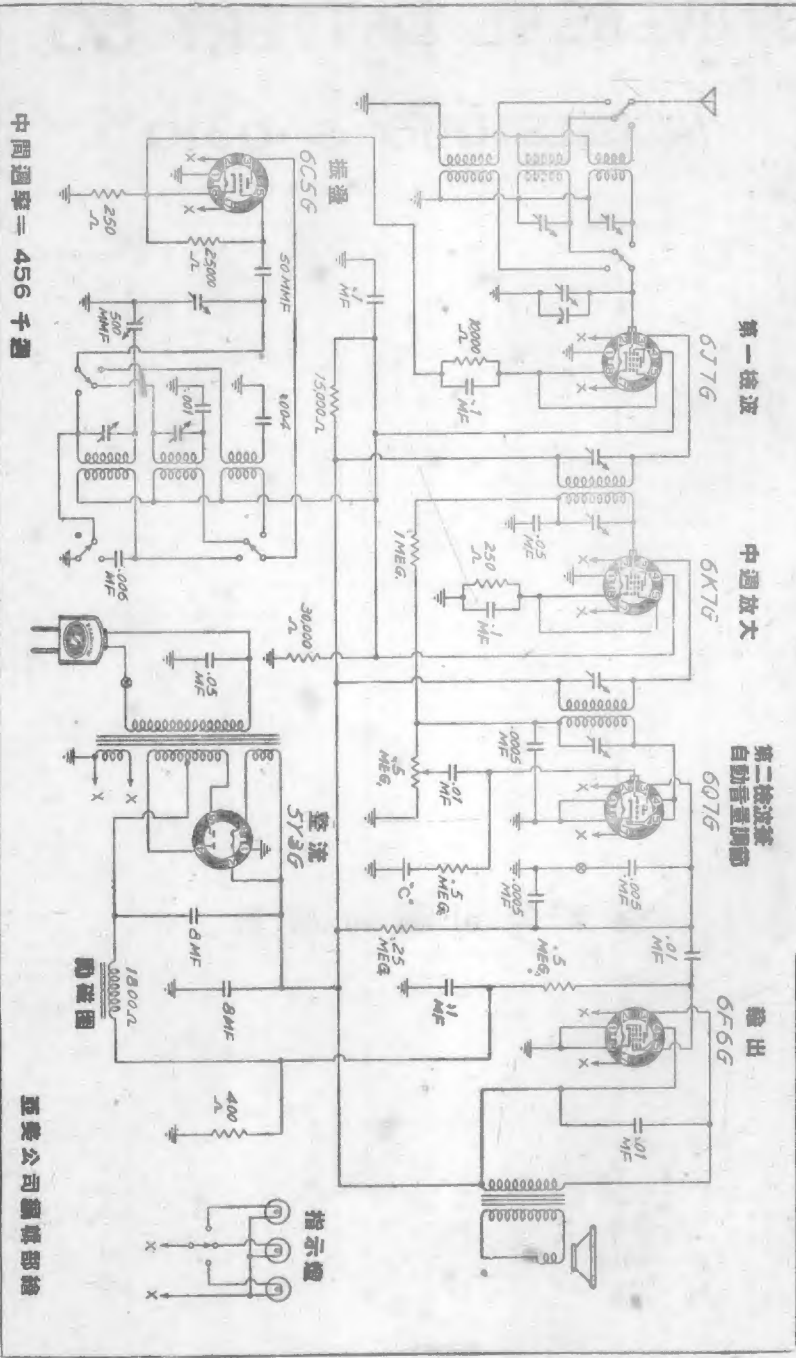
UNIVERSAL BATTERY CO.

MODELS 6110 & 6310

亞美公司編輯部製



UNIVERSAL BATTERY CO.  
 MODELS 6110 & 6310



中間週率 = 456 千週

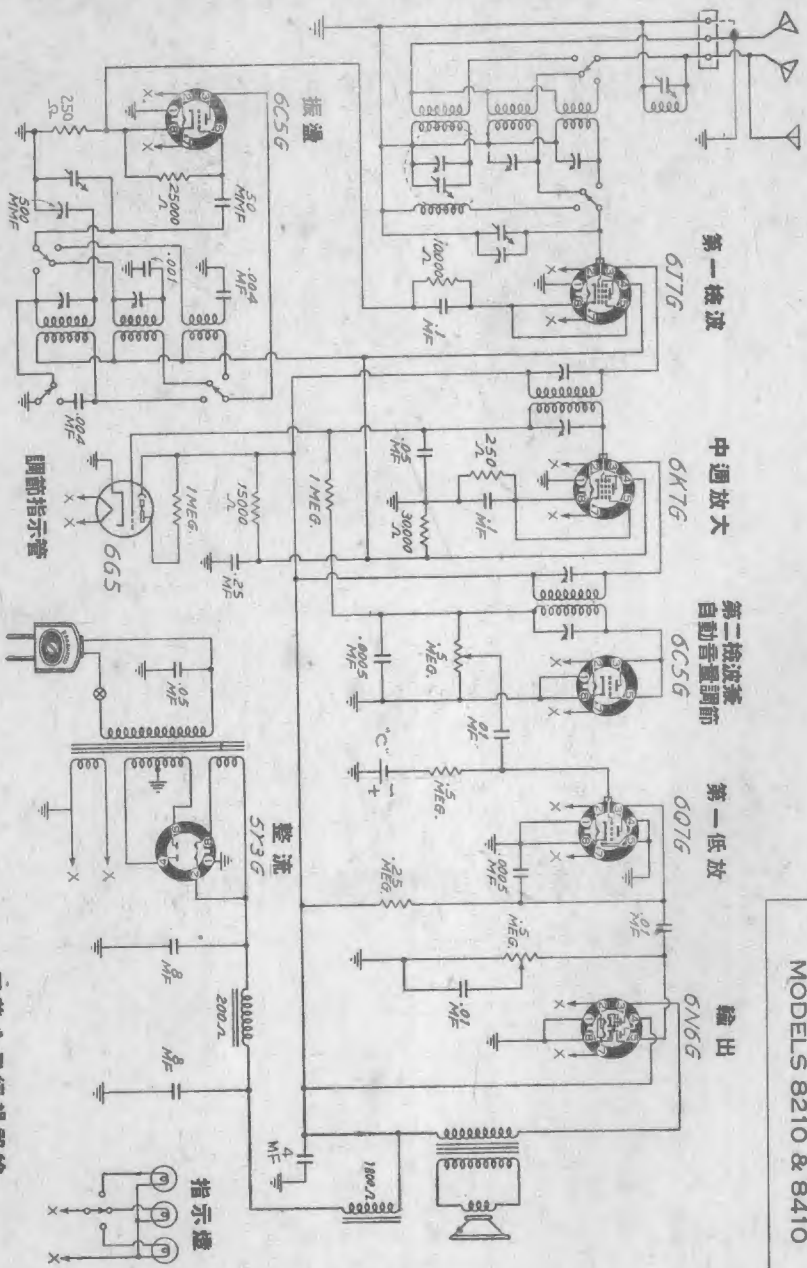
亞美公司 獨家製

UNIVERSAL BATTERY CO.

MODELS 8210 & 8410

亞美公司編輯部製

UNIVERSAL BATTERY CO.  
 MODELS 8210 & 8410



亞美公司編製部繪

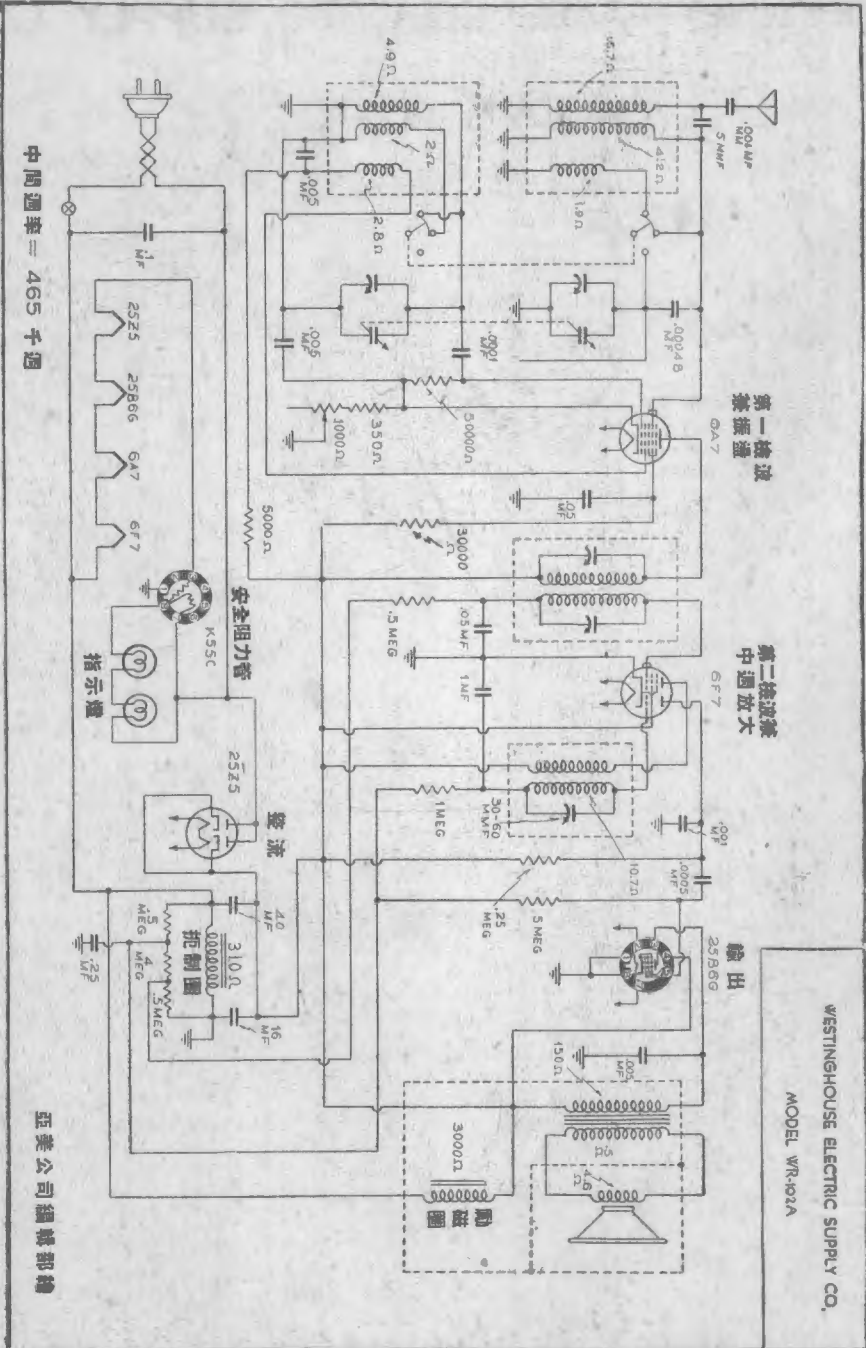
WESTINGHOUSE ELECTRIC SUPPLY CO.

MODEL WR-102A

亞美公司編輯部製

WESTINGHOUSE ELECTRIC SUPPLY CO.

MODEL WR402A



中間迴路 = 465 千週

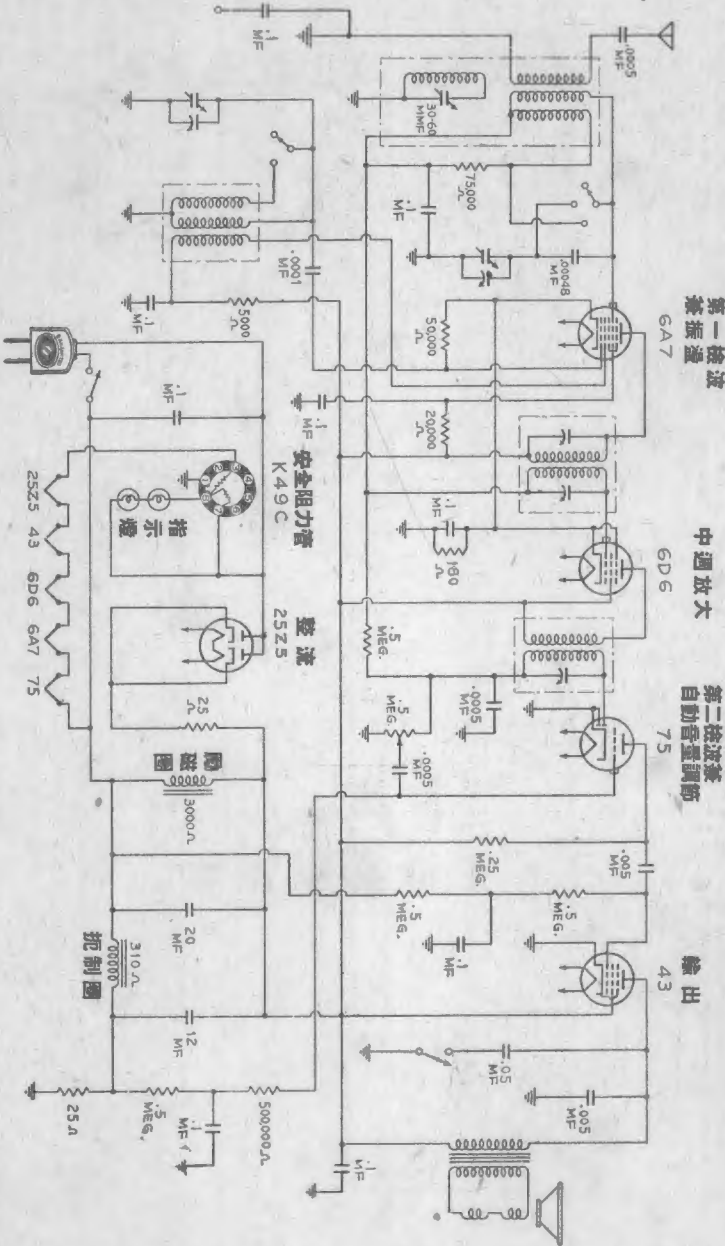
亞美公司編錄部繪

WESTINGHOUSE ELECTRIC SUPPLY CO.

MODEL WR-103

亞美公司編輯部製

WESTINGHOUSE ELECTRIC SUPPLY CO  
MODEL WR-103



中間週率 = 465 千週

亞美公司編譯部繪

ZENITH RADIO CORP.

MODELS 4B314, 4B317, CHASSIS 5411

亞美公司編輯部製



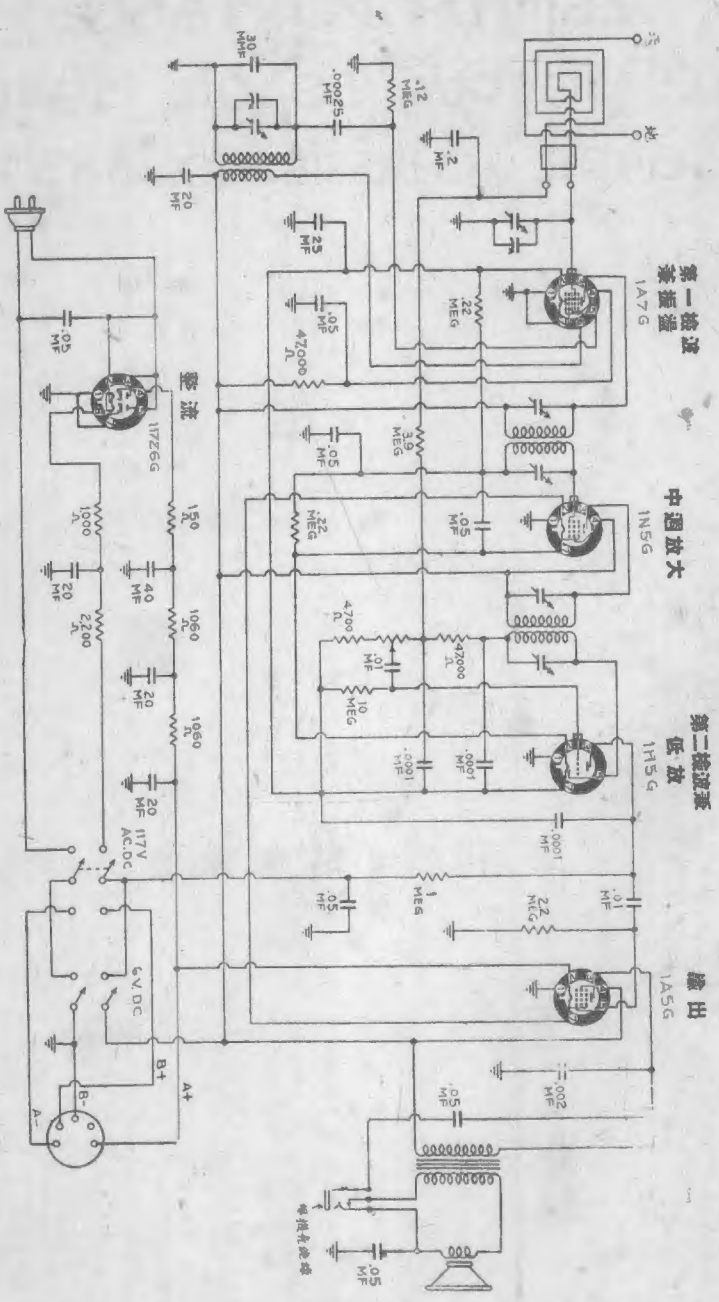


# ZENITH PORTABLE

MODELS 5G4OIM, 5G4OID, 5G4OIY &  
5G4OIL (CHASSIS NO. 5537)

亞美公司編輯部製

ZENITH PORTABLE  
 MODEL 5G401M, 5G401D, 5G401V, 1  
 5G401L, CHASSIS NO. 5537



中間週波 = 455 千週

亞美公司編輯部繪

ZENITH RADIO CORP.

MODEL 5J217T CHASSIS 5524T

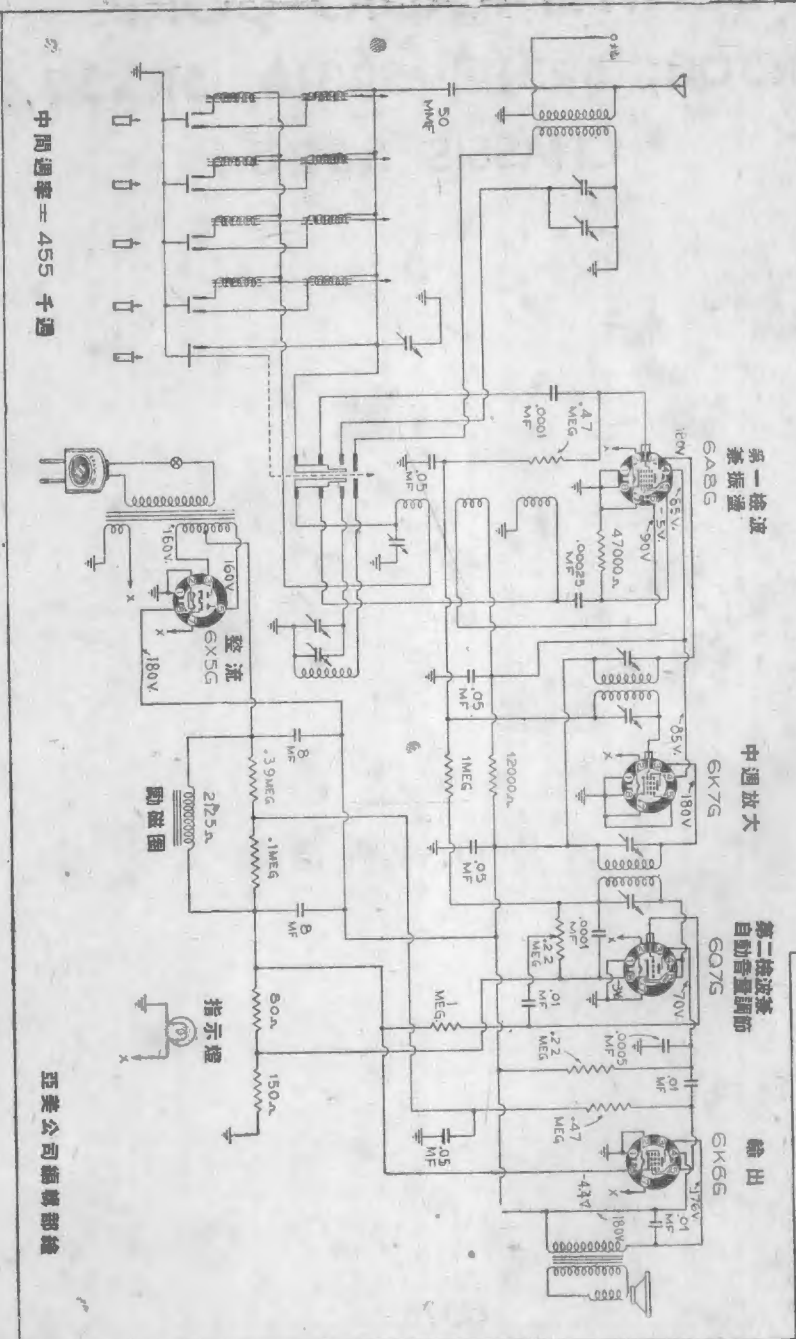
亞美公司編輯部製



ZENITH RADIO CORP.  
5R303, 5R312, 5R316, 5R337,  
CHASSIS 5528

亞美公司編輯部製

ZENITH RADIO CORP.  
 SR303, SR312, SR316, SR337,  
 CHASSIS 5528



中間週率 = 455 千週

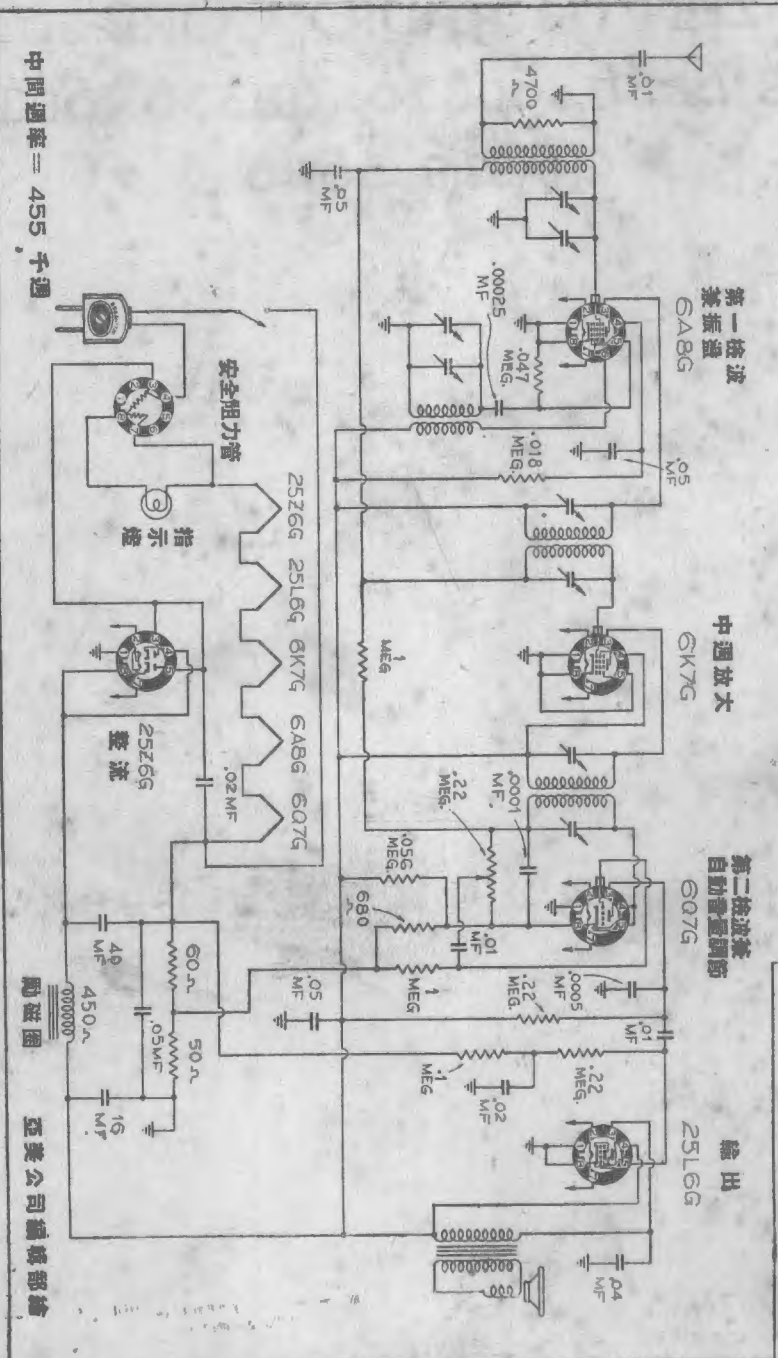
亞美公司總機部繪

ZENITH RADIO CORP.  
MODELS 6D311, 6D326, 6D336, 6D360,  
CHASSIS 5646

亞美公司編輯部製



ZENITH RADIO CORP  
 MODELS 6D311, 6D326, 6D336, 6D350,  
 CHASSIS 5646



中間週率 = 455 千週

調磁圈

亞美公司編輯部繪

## 實用中文無線電書籍

書名	編著者	每冊價	郵寄重量
蕭氏科學叢書			
(第一冊) 無線電入門(重編增訂版)	蕭祖國	四角	60公分
(第四冊) 礦石收音機製造法(重編增訂版)	蕭祖國	四角	60"
(第五冊) 無線電真空管收音機合組線路圖	蕭祖圭	四角	60"
(第六冊) 來復式收音機	蕭祖國	四角	60"
真空管之特性(中國無線電叢書之一)		四角	70"
新聞報無線電週刊彙編(第二至五集)	蕭祖國	每集六角	165"
無線電學初階(增訂四版)	魏心齋	一元	160"
線圈之實用設計(增訂五版)	魏心齋	二元二角	200"
樂餘無線電精華(增訂五版)	蕭祖國	四元	
超等外差式收音機之研究	蕭祖國 顧公林 田浩泉 吳煥元 蕭祖圭 胡潤桐	(再版中)	
實用無線電修理訣要(增訂再版)	蕭祖國 胡潤桐	四元	510"
無線電問答彙刊合訂本(廿一年份)	蕭祖國 主編	三元	510"
中國無線電第四卷合訂本(廿五年份)	蕭祖國 主編	六元	2000"
經濟電池配製圖解(再版)	胡潤桐 蕭祖圭	六角	60"
修理用參考線路圖(第一,二,三,四,五,六集)	亞美編輯部	每集二元五角	320"
擴大機參考線路圖(第一集)(再版)	亞美編輯部	每集二元	340"
應用無線電學(上集)	姚華亭 蕭祖國	八元	

## 中文亞美無線電範本

下列各種範本，均由亞美公司實驗使用，皆有成效。其中備有線路圖，接線實圖，而板及各件之實體排列圖，並附有零件表。如完全照範本用件，照圖排列，各線妥錄而無效，亞美公司負責免費代為較驗。

第一種	單管三回路式收音機製造法	每套八角	25公分
第二種	超短波收音機製造法	八角	25"
第三種	四管遠程收音機製造法	八角	25"
第四種	三管來復式收音機製造法	八角	25"
第五種	蘇定三回路三管收音機製造法	八角	25"
第六種	三管長短波兩用收音機製造法	八角	25"
第七種	二管來復式收音機製造法	八角	60"
第八種	長波機用短波擴音器	八角	40"
第九種	五管高週率收音機製造法	八角	45"
第十種	交流燈絲三回路三管機製造法	八角	85"
第十一種	交流三管機用甲乙丙電源製造法	八角	25"
第十二種	完全交流二管收音機製造法	八角	.....
第十三種	翻湧交流電源三管強勁收音機製造法	八角	40"
第十四種	選擇性優異之單管來復式收音機製造法	八角	30"
第十五種	三瓦特言語，唱片兩用放大機製造法	八角	60"
第十六種	短波發報，電話，練習電碼三用機製造法	八角	50"

上海江西路三二三號亞美公司啓