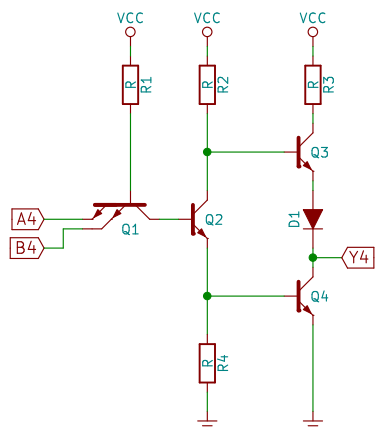
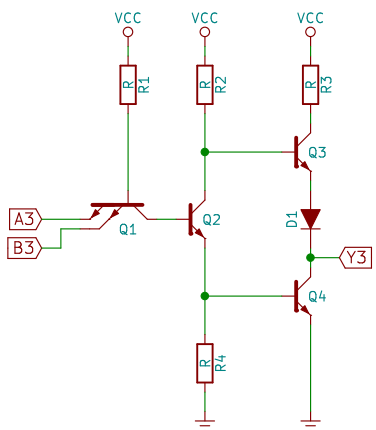


Logical equivalent



Sheet: /
File: 5400.sch

Title:

Size: A4
KiCad E.D.A. kicad 4.0.4-stable

Date:

Rev:
Id: 1/1