

Panhard & Levassor

The valveless engine patent of A. C. KREBS

1911 - [FR440438A](#): *Internal combustion engine distribution*

Fig. 1.

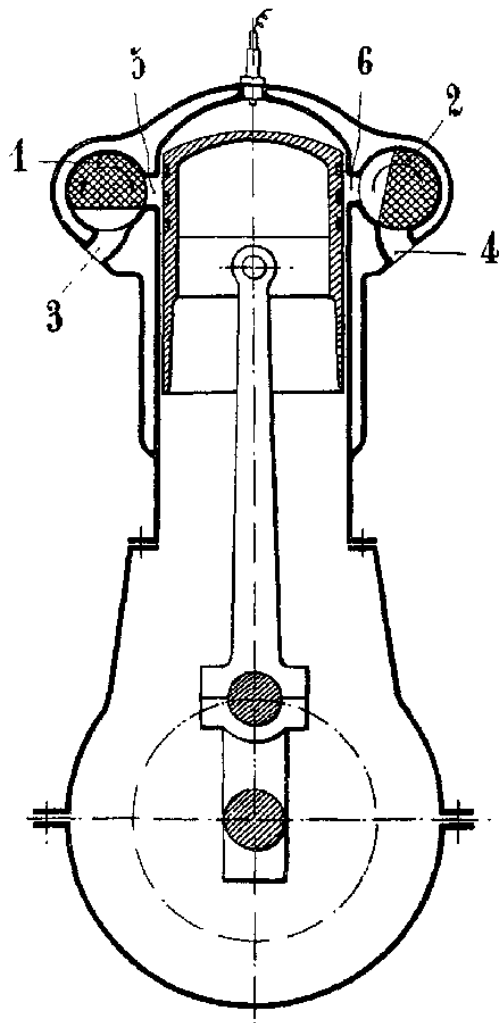


Fig. 3.

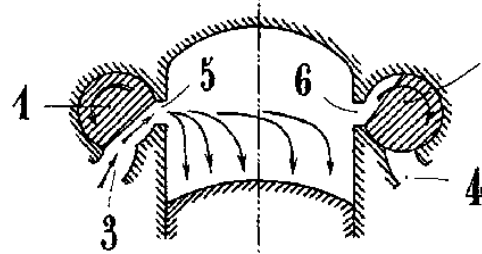


Fig. 4.

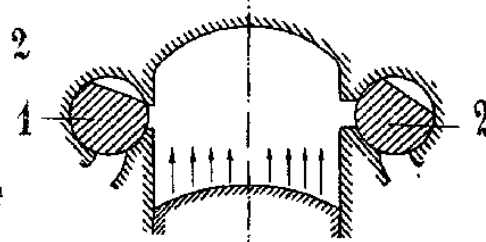


Fig. 5.

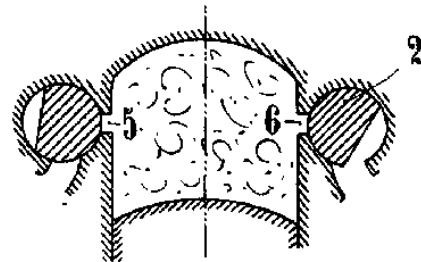


Fig. 6.

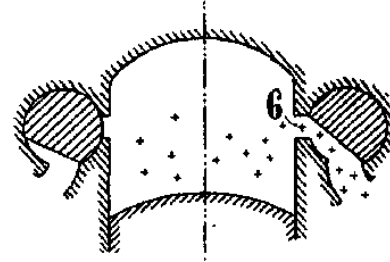


Fig. 2.

