

BROOD COOPS AND APPLIANCES

**BOYS AND GIRLS
POULTRY
CLUB
WORK**



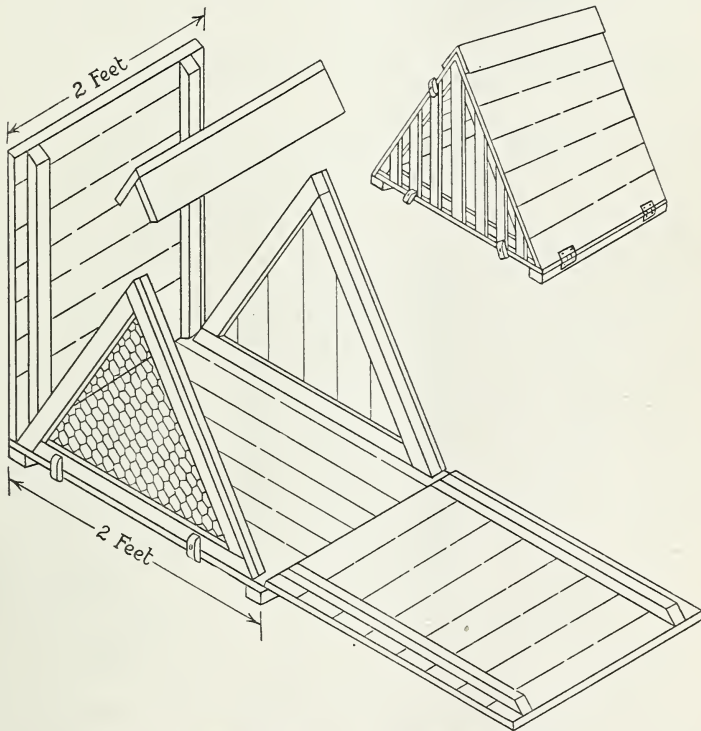
**UNITED STATES DEPARTMENT OF AGRICULTURE
DEPARTMENT CIRCULAR 13**

**CONTRIBUTION FROM
BUREAU OF ANIMAL INDUSTRY
ANIMAL HUSBANDRY DIVISION
WASHINGTON, D. C.**

BROOD COOPS AND APPLIANCES.

BROOD COOPS FOR HEN AND CHICKS.

EVERY boy and girl club member should provide a good coop for the mother hen and little chickens. If you do not have one already, it should be built before it is time for the little chicks to hatch. Many boys and girls build their coops in the wintertime so as to have them ready for spring use, and when this is done a nest box can be placed in the coop and used for the sitting hen. A properly constructed coop is a good place for hatching chickens as well



"A" shaped brood coop for hen and chickens.

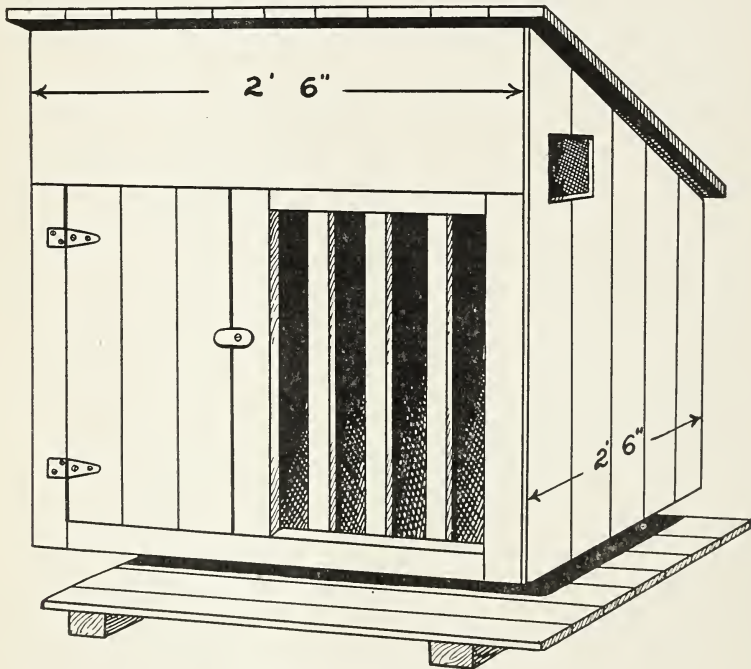
as brooding them. When chickens are hatched in the brood coop, however, the nest should be removed and the coop thoroughly cleaned and disinfected before putting the hen in with her chickens.

The two brood coops ("A" shaped and box coop as illustrated) can be easily made from dry-goods boxes or other available material. The "A" shaped coop, as shown in the illustration above, is collapsible

so that it can be easily cleaned or stored away in winter. Or if desirable, it may be built stationary by simply nailing fast the top, back, and slats in front and placing same on a removable bottom. A wire screen door (1-inch mesh or smaller) of some sort should be provided, as shown in the illustration of the collapsible coop, to place over the front at night. This will prevent rats and other enemies from entering the coop and killing the chickens, and will also keep the little chicks confined early in the morning, when the grass is wet. A hook or clasp of some sort should be put on the door to hold it firmly in place.

The mother hen should be confined to the brood coop until the chicks are weaned. This will give the little chicks a better start in life and prevent loss from storms, hawks, etc.

Floors should be constructed for the brood coops to rest on. This will keep the chickens dry, and if kept clean and well disinfected it



Box brood coop for hen and chicks.

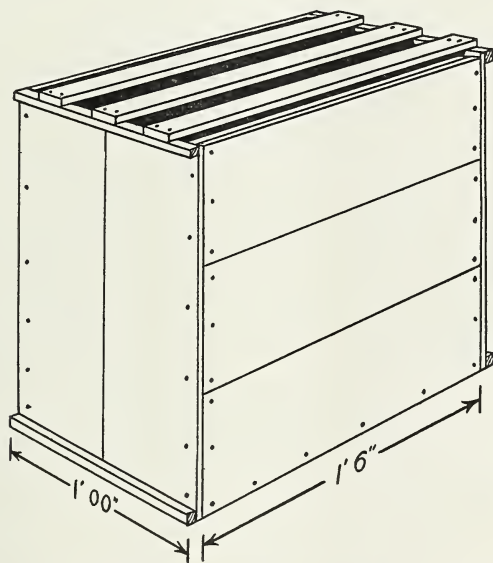
will prevent losses from disease. It is a good plan to keep some dry sand or chaff on the floor under the coop. This helps to keep the coop dry and makes cleaning easy.

To make brood coops rain-proof cover all cracks on the top, back and sides with strips of wood or tin, or better still, cover with roofing paper of some kind if you have it. Construct the brood coop so well that it can be used year after year.

Poultry-club members are successful when they give their birds good care. Fowls of all kinds, both old and young, will thrive and yield a profit when given proper care and attention.

COOP FOR SHIPPING EXHIBITION FOWLS.

Club members who wish to ship their fowls and have them arrive by express in the best possible manner will want a special shipping coop like the illustration shown below. They are solid, substantial and will last for a long time. Such a coop may be made from boards taken from dry-goods boxes or almost any other half-inch material. Boards more than one-half inch thick should not be used, as it makes the coop too heavy. The coop may be put together with nails, with the exception of the slats or cover on the top, which should be put on with screws or hinges and hooks so it may be easily opened. This is very important, as the top or cover must be opened each time the



Coop for shipping exhibition fowls.

coop is used, and if put on with nails is soon broken and the coop spoiled. The following dimensions should be used in constructing same:

For one hen or cock—12 inches wide, 18 inches long and 24 inches high.

For two hens or hen and cock—12 inches wide, 24 inches long and 24 inches high.

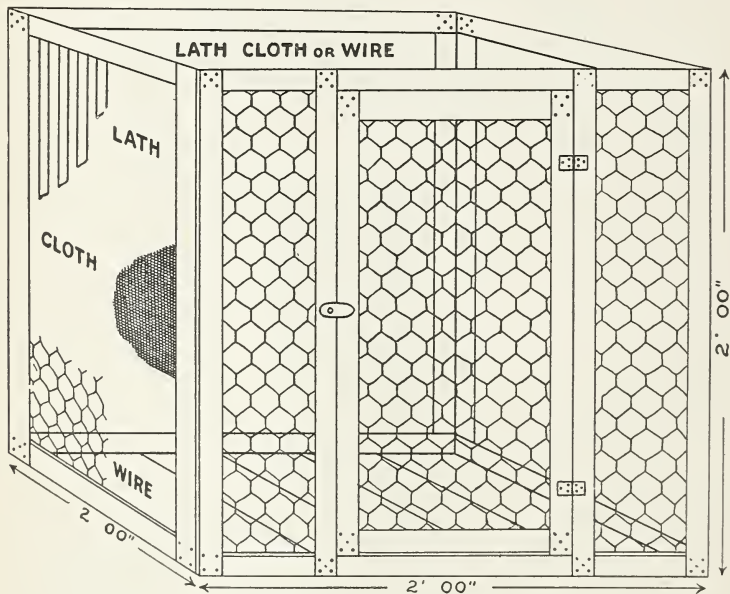
For a trio or two hens and one cock—18 inches wide, 24 inches long and 24 inches high.

For an exhibition pen or four hens and cock—24 inches wide, 24 inches long and 24 inches high.

In preparing for shipment a small quantity of hay, straw, or dry shavings should be placed in the bottom of the coop to absorb the moisture, and a cup or can provided for both feed and water. The cans should be nailed securely about halfway to the top of the coop. A tag or card plainly marked, showing destination of the shipment as well as your return address, must be tacked or pasted on the outside where it can be plainly seen.

EXHIBITION COOP FOR POULTRY-CLUB MEMBERS.

The exhibition or show coop here illustrated can be easily made and is for the use of poultry-club members in exhibiting fowls at county and school fairs or other exhibitions. It should not be used



Homemade exhibition coop.

for shipping poultry, but may be used to take the birds to the show if carried by wagon or other vehicle. It can be made from a dry-goods box or almost any other available material; the floor to be solid and the framework of wooden strips 2 inches wide and $1\frac{1}{2}$ inches thick. The top, back, and sides may be covered with lath, wire netting or any kind of thin, strong cloth. The front should be of 2-inch wire netting. If impossible to obtain netting, however, lath may be used, but should be placed about $2\frac{1}{2}$ inches apart so

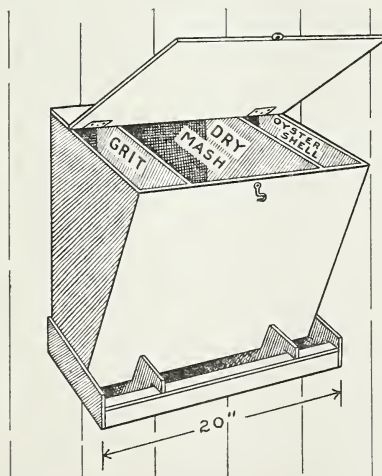
as to afford as much opportunity as possible to see the birds. The coop is made 2 feet wide, 2 feet deep and 2 feet high and will accommodate one mature bird or a pair of chickens. If more than this are to be exhibited together, the coop should be made larger in proportion to the number of fowls it is to accommodate.

Every poultry-club member who intends to exhibit his birds should have one or more exhibition coops of this nature, depending upon the number of specimens he intends to exhibit. Birds can be trained and conditioned in these coops previous to the exhibition, and in becoming accustomed to same they will appear to better advantage when being judged and are more likely to win a prize. Furthermore, when your birds are shown in coops of this kind that are uniform in size and style, they not only improve the appearance of the showroom but add considerably to the attractiveness of your exhibit.

Training and exhibiting some of the best specimens every fall in both old and young birds is an interesting and important part of boys' and girls' poultry-club work. The boy or girl who is able to produce the best has much to be proud of, and each one should take part in this educational but friendly competition.

DRY-MASH HOPPER.

The dry-mash hopper (see illustration) is intended for use inside the laying house. It should be hung against the wall about eight or ten inches from the floor, or as high as possible, so long as the fowls



Dry-mash hopper.

can reach the mash. This prevents the mash from being thrown out and wasted. It may be made from boards taken from dry-goods boxes or other thin material. There are three compartments—one

for grit, one for shell, and one for dry mash. The projections extending out from the partitions are to prevent the fowls from mixing the dry mash with the grit and shell, as well as from wasting it. The feeding of dry mash is a better practice than feeding wet or moist mash, as it requires less work and the hens can regulate their food to suit their needs.

DRINKING FOUNTAIN.

A satisfactory way to provide drinking water is to use an ordinary stone, iron or galvanized dish, pot or crock (the size depending upon the number of birds), placing it on a shelf or platform high enough from the floor to prevent the fowls from scratching litter, etc., into it.

Various styles of drinking fountains for both fowls and chicks can be purchased from poultry-supply dealers if wanted.

