



A. D. 1874, 27th October. N^o 3467.

SPECIFICATION

OF

JOHN IMRAY.

SURGICAL INSTRUMENTS.

LONDON:

PRINTED BY CLAUDE F. BIRN AND WILLIAM SPOTTISWOODE,

PRINTERS TO HER MAJESTY'S MOST EXCELLENT MAJESTY:

REGISTERED AT THE GREAT SEAL PATENT OFFICE,

25, PATERNOSTER BUILDINGS, HOLBORN.

1874.



A.D. 1874, 9th OCTOBER. N° 3467.

Surgical Instruments.

LETTERS PATENT to John Imray, of No. 20, Southampton Buildings, Chancery Lane, in the County of Middlesex, for the Invention of "IMPROVEMENTS IN SURGICAL APPARATUS OF INSTRUMENTS FOR CLOSING CERTAIN NATURAL OPENINGS OF THE BODY."—A communication from abroad by Gabriel Borin, of Lyons, France.

Sealed the 1st December 1874, and dated the 9th October 1874.

COMPLETE SPECIFICATION filed by the said John Imray at the Office of the Commissioners of Patents, with his Petition and Declaration, on the 9th October 1874, pursuant to the 9th Section of the Patent Law Amendment Act, 1852.

5 **TO ALL TO WHOM THESE PRESENTS SHALL COME, I, JOHN IMRAY,** of No. 20, Southampton Buildings, Chancery Lane, in the County of Middlesex, send greeting.

WHEREAS I am in possession of an Invention for "IMPROVEMENTS IN SURGICAL APPARATUS OR INSTRUMENTS FOR CLOSING CERTAIN NATURAL OPENINGS
10 OF THE BODY," and have petitioned Her Majesty to grant unto me, my

Imray's Improvements in Surgical Instruments.

executors, administrators, and assigns, Her Royal Letters Patent for the same, and have made solemn Declaration that it has been communicated to me from abroad by Gabriel Borin, of Lyons, France.

NOW KNOW YE, that I, the said John Imray, do hereby declare that the following Complete Specification, under my hand and seal, 5 fully describes and ascertains the nature of the said Invention, and in what manner the same is to be performed, in and by the following statement thereof, reference being had to the accompanying Sheet of Drawings, and to the figures and letters marked thereon, that is to say :— 10

This Invention relates to a light, compact, and easily applied apparatus or instrument for closing certain natural openings of the body for surgical or medical treatment, as for example, for closing the female vagina, or the nipple, or for closing the preputium in males, the said apparatus or instrument being of the nature of a forceps applied to the 15 lips or external parts of such openings.

The forms and dimensions of the apparatus are varied to suit the parts to which they are applied, the construction and mode of action remaining the same as that which will now be described.

An instrument, according to this Invention, for closing the vagina is 20 represented to its full size in Figures 1, 2, and 3; Figure 1 shewing an end view of the instrument when it is opened out, Figure 2 an end view when it is closed, and Figure 3 a side view. It is a kind of forceps having two arched blades *a, a*, at the end of shanks *b, b*, which are hinged to a staple piece *c*. A screw *d* works through the staple 25 piece *c*, so that by turning it a band *e* is caused to slide along the inclined edges of the shanks *b*, and thereby to bring together the blades *a*, so as to pinch the lips of the vagina between them.

Figures 4 and 5 shew respectively an end and a side view of a similar instrument applicable to the nipple, the blades of the forceps 30 being, in this case, hollowed out to a rounded form, so as to pinch the nipple between them.

Having thus described the nature of the said Invention, and in what manner the same is to be performed, as communicated to me by my foreign correspondent, I claim, the use for closing certain natural 35 openings of the body of an apparatus operating as a forceps on the lips

Imray's Improvements in Surgical Instruments.

or external projecting parts of such openings, the closing of the forceps being effected by a screw, substantially as herein described.

In witness whereof, I, the said John Imray, have hereunto set my hand and seal, this Ninth day of October, in the year of our Lord One thousand eight hundred and seventy-four.

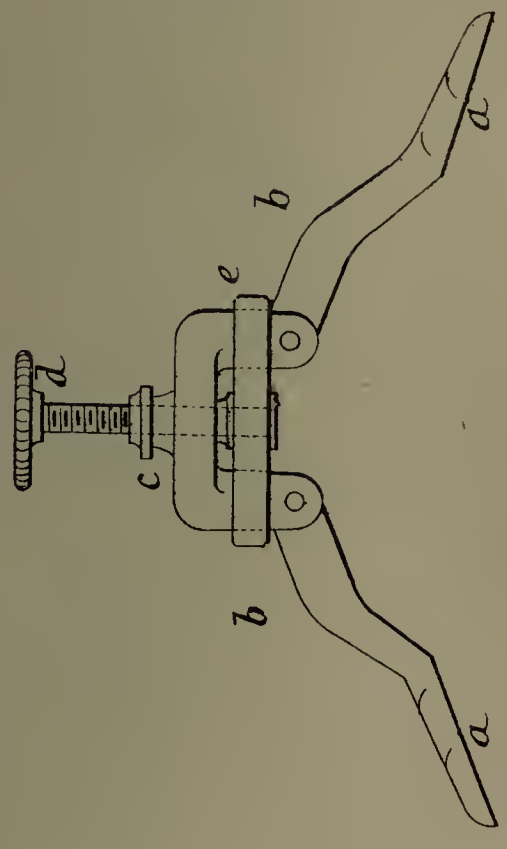
JOHN IMRAY. (L.S.)

LONDON:

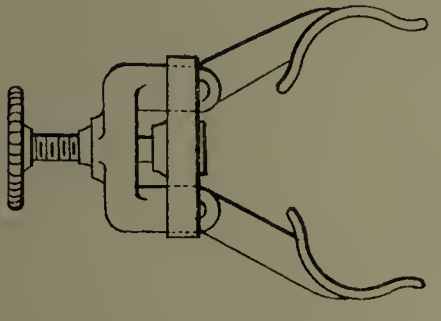
Printed by GEORGE EDWARD EYRE and WILLIAM SPOTTISWOODE,
Printers to the Queen's most Excellent Majesty. 1874.

A.D. 1874. OCT. 9. N.º 3467
IMRAY'S COMPLETE SPECIFICATION.

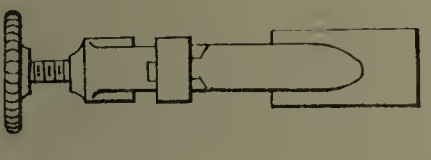
F I C . 1



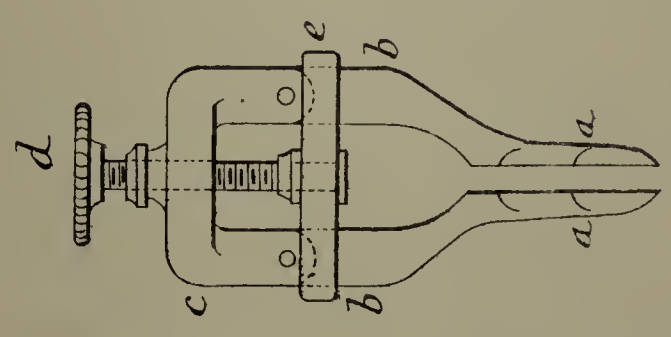
F I C . 4 .



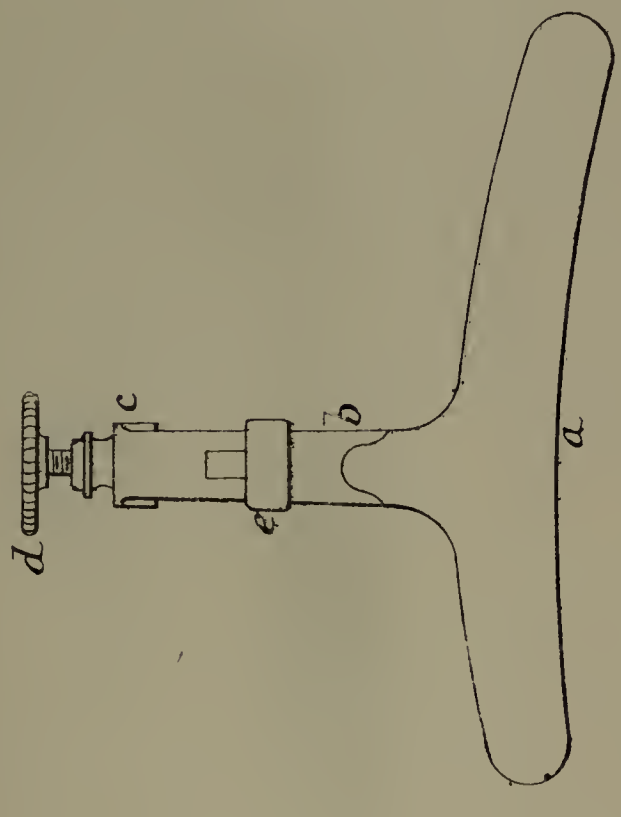
F I C . 5 .



F I C . 2 .



F I C . 3 .



The filed drawing is not colored.

Drawn on Stone by Malby & Sons.

LONDON Printed by GEORGE EDWARD EYRE and WILLIAM SPOTTISWOODE
Printers to the Queen's most Excellent Majesty 1874

