

LUBRICATION ORDER

8 April 1988

L05-6115-612-12

(Supersedes LO 5-6115-612-12, 24 October 1986)

Approved for public release. Distribution is unlimited.

AVIATION GENERATOR SET, GAS TURBINE ENGINE DRIVEN INTEGRAL TRAILER MOUNTED, 10KW, 28 VOLTS DC

DOD MODEL
MEP 362A

CLASS
PRECISE

NSN
6115-01-161-3992

Reference: TM5-6115-612-12

Intervals (on-condition or hard time) and the related taskhour times are based on normal operation. The taskhour time specified is the time you need to do all the services prescribed for a particular interval. On-condition (OC) oil sample intervals shall be applied unless changed by the Army Oil Analysis Program (AOAP) laboratory. Change the hard time interval if your lubricants are contaminated or if you are operating equipment under adverse operating conditions, including longer-than-usual operating hours. The hard time interval may be extended during periods of low activity. If extended, adequate preservation precautions must be taken. Hard time intervals will be applied in the event AOAP laboratory support is not available.

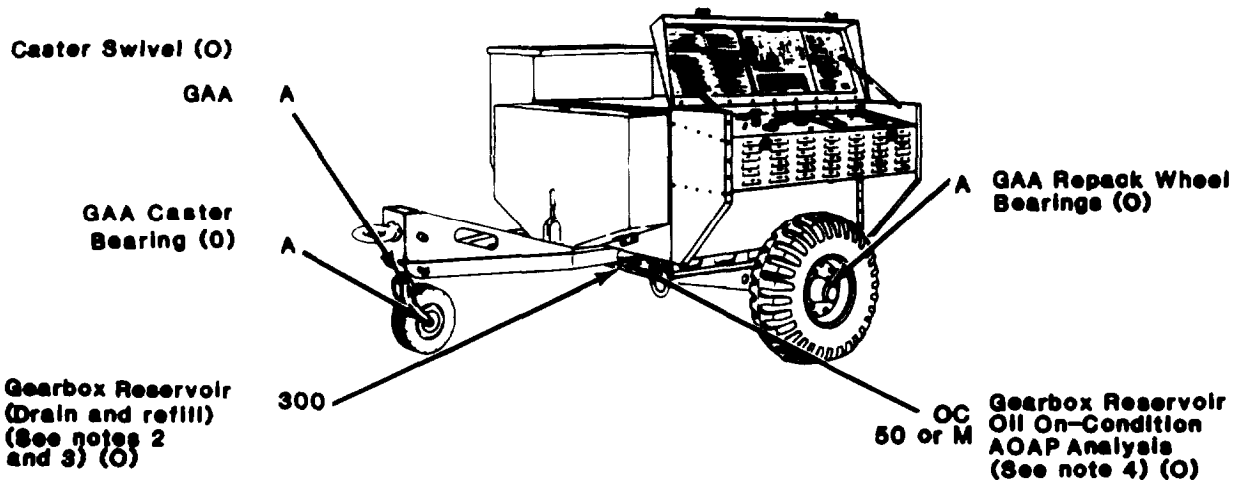
Clean fittings before lubricating. Clean parts with dry cleaning solvent (SD) type II or equivalent. Dry before lubricating.

The lowest level of maintenance authorized to lubricate a point is indicated by one of the following symbols as appropriate Operator/crew (C); and Unit Maintenance (O).

You can help improve this manual. If you find any mistakes or if you know of a way to improve the procedures, please let us know. Mail your letter or DA Form 2028 direct to Commander, U.S. Army Troop Support Command, ATTN: AMSTR-MCTS, 4300 Goodfellow Boulevard, St. Louis, MO 63120-1798. A reply will be furnished to you.

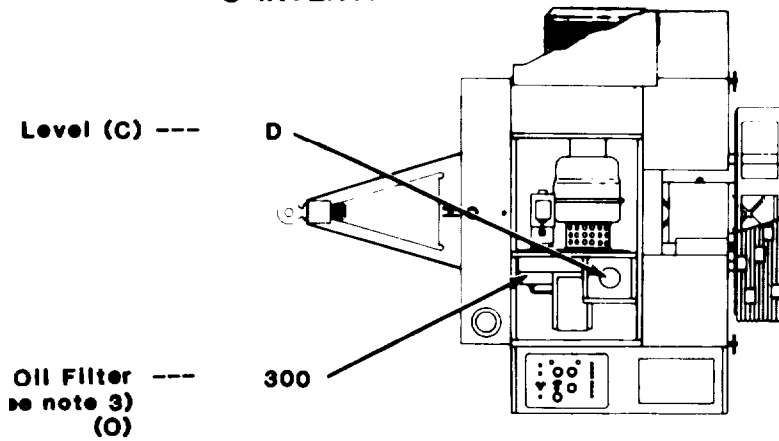
LUBRICANT ● INTERVAL

INTERVAL ● LUBRICANT



LUBRICANT ● INTERVAL

INTERVAL ● LUBRICANT



TOTAL TASK HOURS		TOTAL TASK HOURS	
INTERVAL	TASK HOURS	INTERVAL	TASK HOURS
A	1.5	M	0.1
D	0.1	300	0.5

LUBRICANTS	CAPACITIES	EXPECTED TEMPERATURES			INTERVALS
		ABOVE +32°F (ABOVE 0°C)	+40°F to -10°F (-5°C TO -23°C)	0°F to -85°F (-18°C TO -64°C)	
GAA GREASE (MIL-G-10924) <i>Caster swivel and bearing. Wheel bearings.</i>	As required.	ALL TEMPERATURES			For arctic operation, refer to FM 9-207.
LGT LUBRICATING OIL MIL-L-7808 <i>Gearbox</i>	4.0 Qts (3.8L)	ALL TEMPERATURES			
--- LUBRICATING OIL MIL-L-23699 <i>Gearbox</i>	4.0 Qts (3.8L)	ALL TEMPERATURES TO -40°F (-40°C)			

NOTES:

**CAUTION
DO NOT OVERFILL
DO NOT MIX LUBRICANTS**

- OIL LEVEL.** Check oil level before and after each operation. Fill to FULL mark on dipstick. Do not mix lubricants.
- GEARBOX RESERVOIR.** To drain, loosen turnlock fasteners and remove fuel/oil drain access cover from bottom of generator set. Pull oil drain tube through opening. Remove oil drain plug. Drain oil into suitable container. Refill and check level. Do not mix lubricants. If possible, attach label giving type of lubricant and date changed.
- OIL FILTER.** Install new oil filter when oil is changed (Note 2).
- GEARBOX RESERVOIR OIL.** A sample of the oil shall be sent to an AOAP laboratory for analysis at an interval of 50 hours or monthly. Refer to TB 43-0210 for sampling requirements. when AOAP laboratory support is not available, drain and refill reservoir every 300 hours (Note 2).

A copy of this Lubrication Order will remain with the equipment at all times. Instructions contained herein are mandatory.

By Order of the Secretaries of the Army and the Navy

CARL E. VUONO
General, United States Army
Chief of Staff

Official:

R. L. DILWORTH
Brigadier General, United States Army
The Adjutant General

J. J. WENT
Lieutenant General, USMC
Deputy Chief of Staff for Installations
and Logistics

Distribution:

To be distributed in accordance with DA Form 12-25A, Operator and Unit Maintenance requirements for generator set, 2 wheel mounted, 28V, DC. 7.5 KW (JHGV7.5A)

060645-000

*U.S. GOVERNMENT PRINTING OFFICE: 1988-201-419/80324

This fine document...

Was brought to you by me:



[Liberated Manuals -- free army and government manuals](#)

Why do I do it? I am tired of sleazy CD-ROM sellers, who take publicly available information, slap “watermarks” and other junk on it, and sell it. Those masters of search engine manipulation make sure that their sites that sell free information, come up first in search engines. They did not create it... They did not even scan it... Why should they get your money? Why are not letting you give those free manuals to your friends?

I am setting this document FREE. This document was made by the US Government and is NOT protected by Copyright. Feel free to share, republish, sell and so on.

I am not asking you for donations, fees or handouts. If you can, please provide a link to liberatedmanuals.com, so that free manuals come up first in search engines:

<A HREF=<http://www.liberatedmanuals.com/>>Free Military and Government Manuals

– Sincerely
Igor Chudov
<http://igor.chudov.com/>