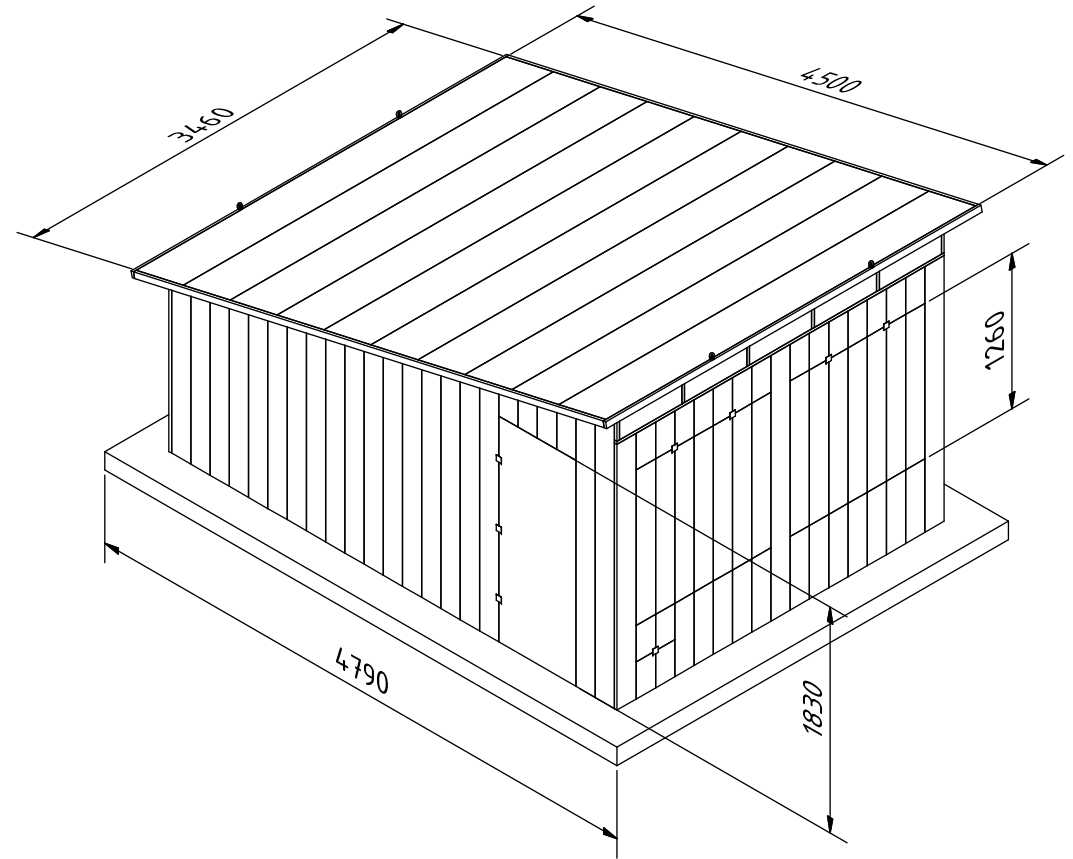
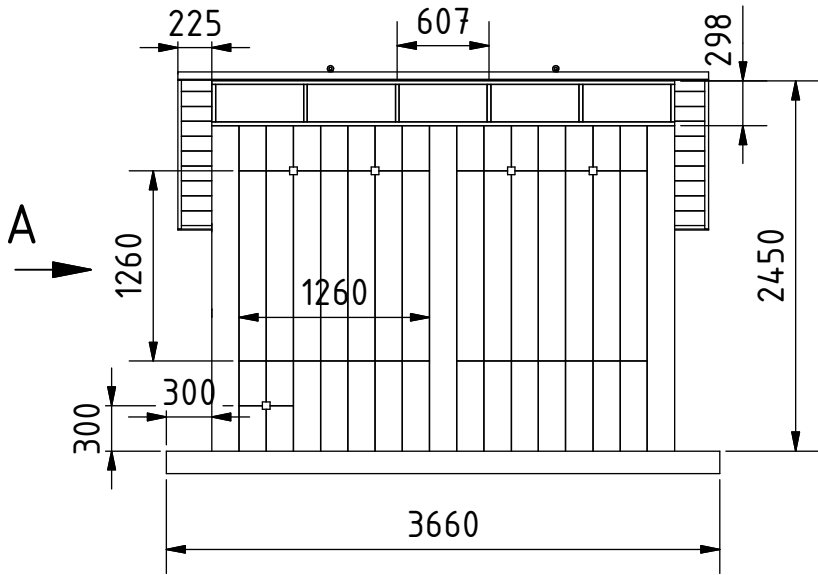
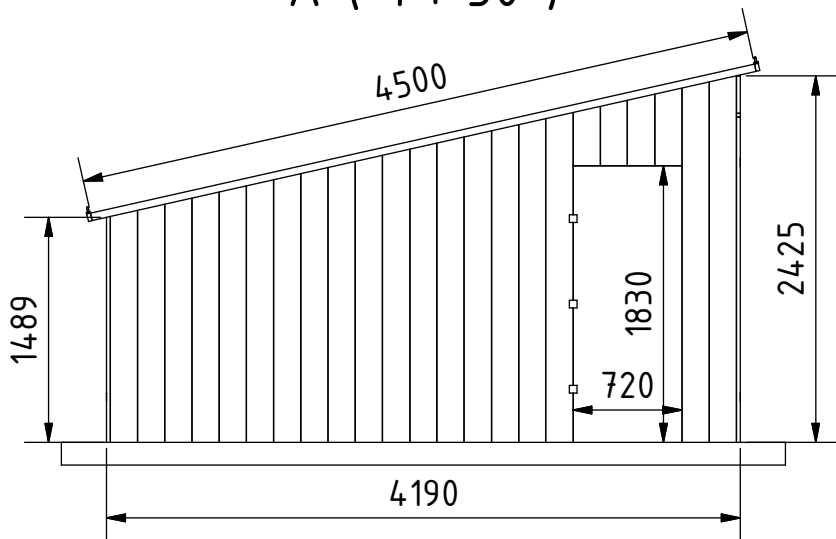


FRONT (1 : 50)



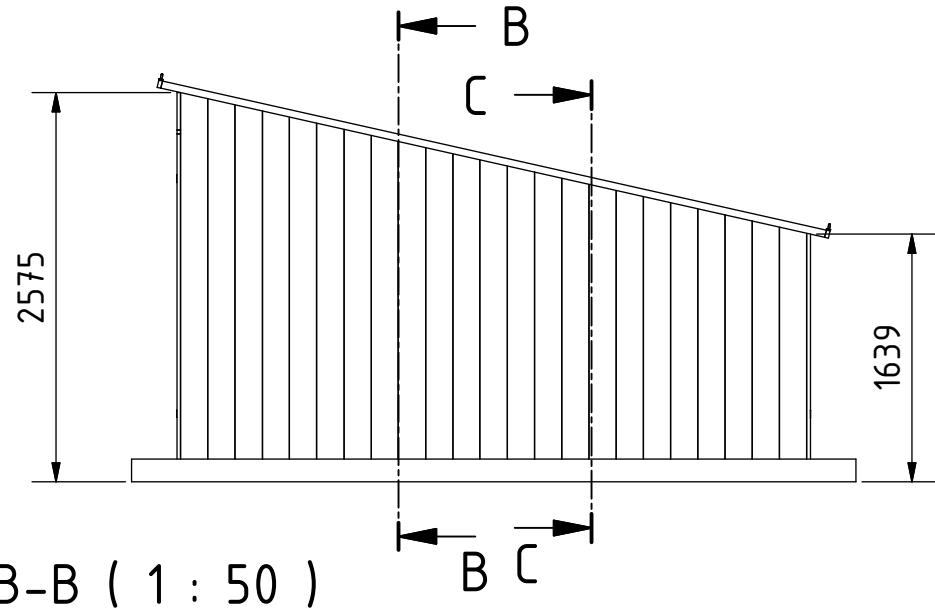
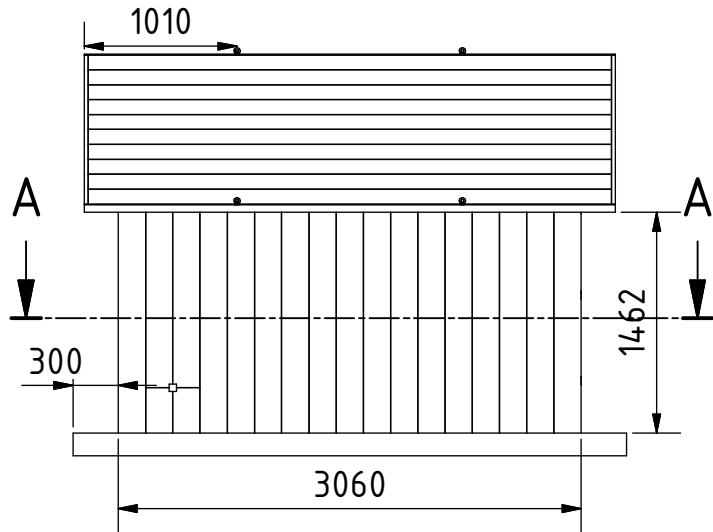
A (1 : 50)



Note: All units in mm.

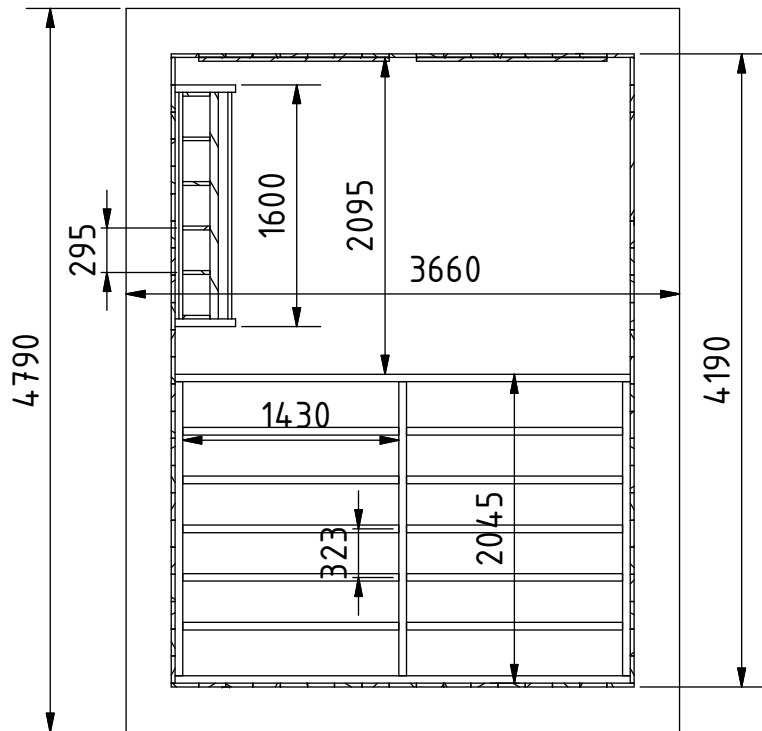
PROJECT	CREATED BY	APPROVED BY	DATE	VERSION
Chicken House	J. Zeron	A. Morillo	15/07/2021	1.0
PART NAME	FILE NAME			POS
3d views	rpr_ch_chicken-house.iam			A1
DEVELOPED BY	REDESIGNED BY	DOC. TYPE	MATERIAL	QUANTITY
Rodale Press	OHO e.V.	Assembly		1
		LICENCE	SCALE	SHEET
		CC-BY-SA 4.0	1:50	1 / 10

REAR (1 : 50)

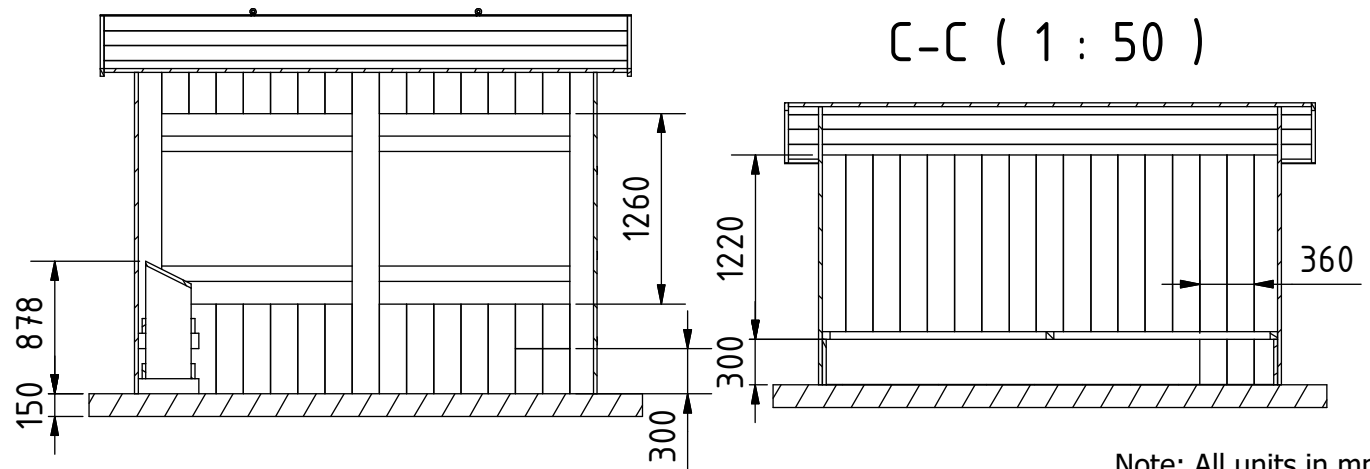


B-B (1 : 50)

A-A (1 : 50)



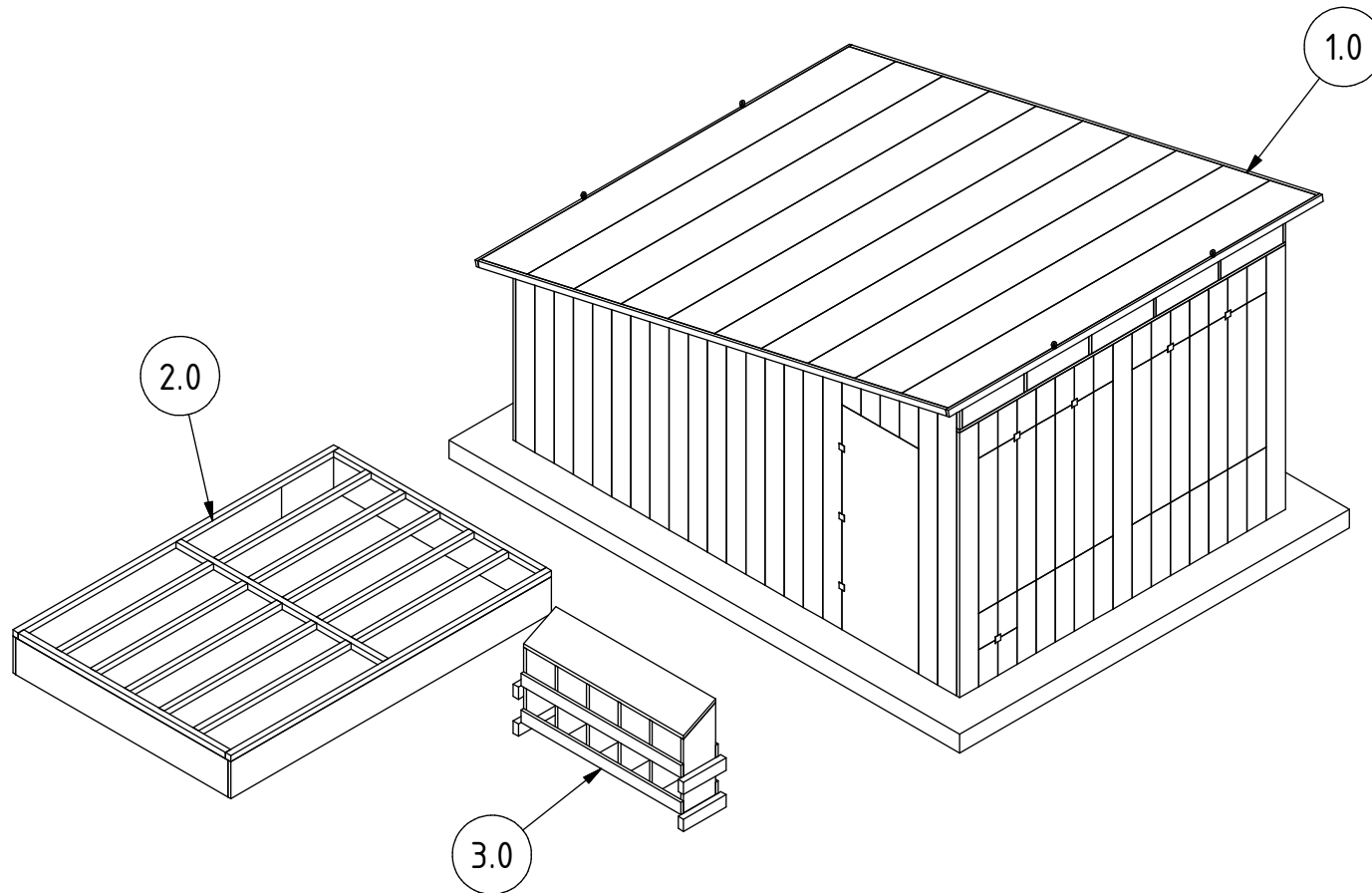
C-C (1 : 50)



Note: All units in mm.

PROJECT	CREATED BY	APPROVED BY	DATE	VERSION
Chicken House	J. Zeron	A. Morillo	15/07/2021	1.0
PART NAME	FILE NAME			POS
3d views	rpr_ch_chicken-house.iam			A1
DEVELOPED BY	REDESIGNED BY	DOC. TYPE	MATERIAL	QUANTITY
Rodale Press	OHO e.V.	Assembly		1
		LICENCE	SCALE	SHEET
		CC-BY-SA 4.0	1:50	2 / 10

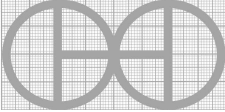
EXPLOSION (1 : 50)



PROJECT	CREATED BY	APPROVED BY	DATE	VERSION
Chicken House	J. Zeron	A. Morillo	15/07/2021	1.0
PART NAME	FILE NAME			POS
Exploded 3d view	rpr_ch_chicken-house.ipn			A2
DEVELOPED BY	REDESIGNED BY	DOC. TYPE	MATERIAL	QUANTITY
Rodale Press	OHO e.V.	Assembly		1
		LICENCE	SCALE	SHEET
		CC-BY-SA 4.0	1:50	3 /10

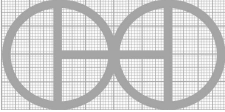
Parts list

POS	QTY	PART NAME	FILE NAME	PART TYPE	SPECIFICATIONS	SHEET
A1	1	3d views	rpr_ch_chicken-house.iam	-	-	1
A1	1	3d views	rpr_ch_chicken-house.iam	-	-	2
A2	1	Exploded 3d view	rpr_ch_chicken-house.ipn	-	-	3
B1	1	Parts list	rpr_ch_chicken-house.csv	-	-	4-5
1.0	-	Chicken house	Chicken house.ipn	-	-	6
1.1	1	Floor	-	Production	Concrete	-
1.2	3	From table 1	-	Production	Kiln dried wood 25x180x2153mm	-
1.3	2	From table 2	-	Production	Kiln dried wood 25x180x300mm	-
1.4	2	From table 3	-	Production	Kiln dried wood 25x180x295mm	-
1.5	12	From table 4	-	Production	Kiln dried wood 25x180x595mm	-
1.6	14	From table 5	-	Production	Kiln dried wood 25x180x298mm	-
1.7	2	Front beam	-	Production	Kiln dried wood 25x25x3060mm	-
1.8	6	Front upright	-	Production	Kiln dried wood 25x25x248mm	-
1.9	14	Window table 1	-	Production	Kiln dried wood 25x180x1260mm	-
1.10	4	Window table 2	-	Production	Kiln dried wood 25x100x1260mm	-
1.11	46	Side table	Side table.ipt	Production	Kiln dried wood 25mm, variable lenght	7
1.12	15	Rear table1	-	Production	Kiln dried wood 25x180x1520mm	-
1.13	2	Rear table2	-	Production	Kiln dried wood 25x180x300mm	-
1.14	2	Rear table3	-	Production	Kiln dried wood 25x180x1220mm	-
1.15	2	Top frame 1	-	Production	Kiln dried wood 25x50x4500mm	-
1.16	2	Top frame 2	-	Production	Kiln dried wood 25x50x3510mm	-
1.17	10	Top table	-	Production	Kiln dried wood 25x450x3460mm	-
1.18	1	Door	-	Production	Plywood 25x720x1830mm	-
1.19	7	hinge	-	Buy	Hinge stainless steel 100x40mm	-
1.20	4	Ring	-	Buy	Metal ring 20mm	-
1.21	2	Wire A	-	Buy	Chicken wire 1260x1260mm	-
1.22	4	Cover	-	Buy	Plastic cover 58x25mm	-
1.23	-	Join	-	Buy	Body bolts	-

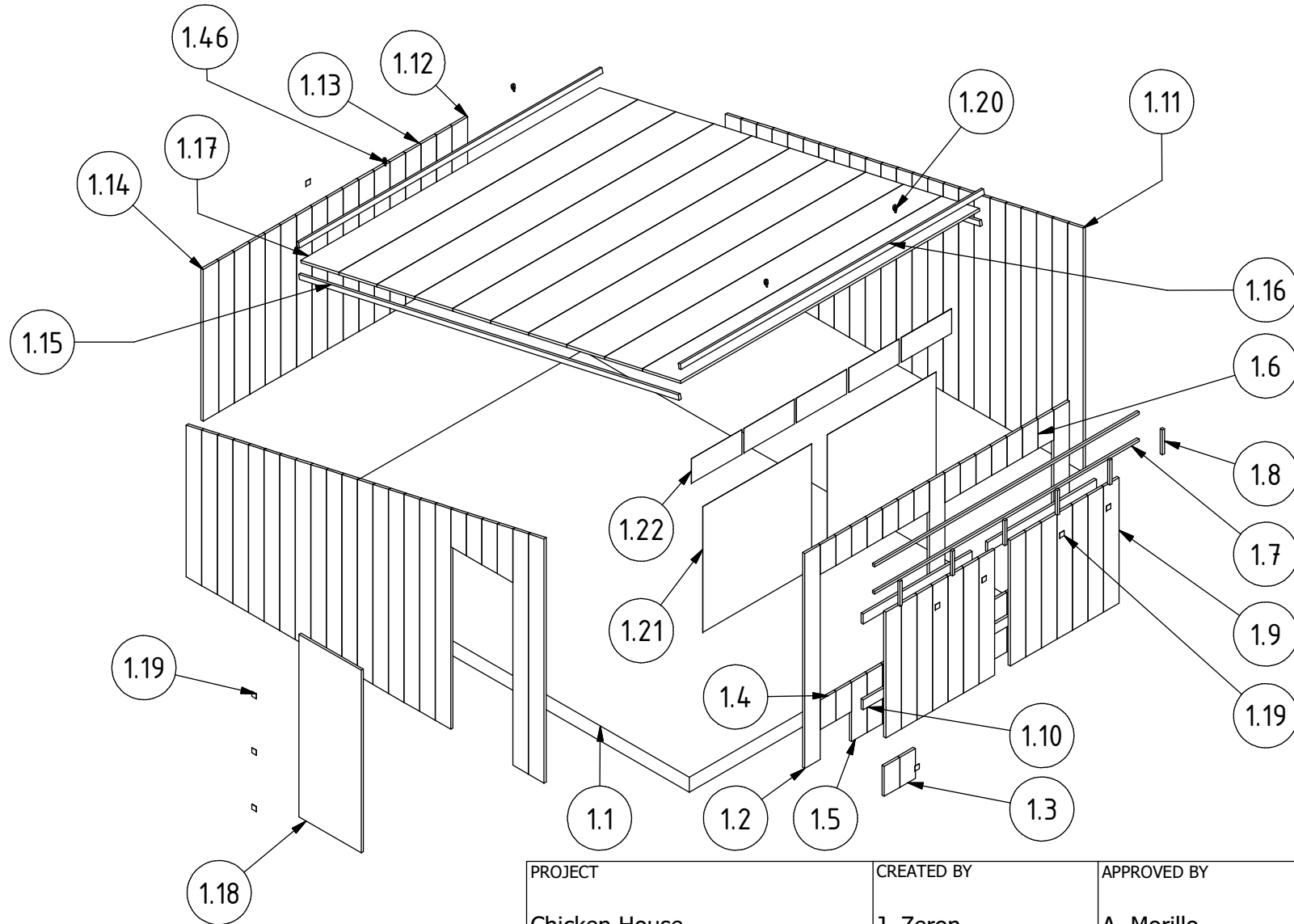
PROJECT	CREATED BY	APPROVED BY	DATE	VERSION
Chicken House	J. Zeron	A. Morillo	15/07/2021	1.0
PART NAME	FILE NAME			POS
Parts list	rpr_ch_chicken-house.csv			B1
DEVELOPED BY	REDESIGNED BY	DOC. TYPE	MATERIAL	QUANTITY
		Parts list		
Rodale Press	OHO e.V.	LICENCE	SCALE	SHEET
		CC-BY-SA 4.0		4 / 10

Parts list

POS	QTY	PART NAME	FILE NAME	PART TYPE	SPECIFICATIONS	SHEET
2.0	-	Roost	Roost.ipn			8
2.1	1	Roost table 1	-	Production	Kiln dried wood 25x300x3010mm	-
2.2	1	Roost table 1.1	-	Production	Kiln dried wood 25x300x2495mm	-
2.3	2	Roost table 2	-	Production	Kiln dried wood 25x300x1995mm	-
2.4	2	Roost beam 1	-	Production	Kiln dried wood 50x50x3010mm	-
2.5	3	Roost beam 2	-	Production	Kiln dried wood 50x50x1945mm	-
2.6	10	Roost beam 3	-	Production	Kiln dried wood 50x50x1430mm	-
2.7	1	Wire B	-	Buy	Chicken wire 2000x2960mm	-
2.8	-	Join	-	Buy	Body bolts	-
3.0	-	Nest	-	-	-	9
3.1	6	Nest table 1	Nest table 1	Production	Kiln dried wood 25mm	10
3.2	1	Nest table 2	-	Production	Kiln dried wood 25x335x1500mm	-
3.3	4	Nest table 3	-	Production	Kiln dried wood 25x100x1500mm	-
3.4	2	Nest beam	-	Production	Kiln dried wood 50x100x400mm	-
3.5	-	Join	-	Buy	Body bolts	-

PROJECT		CREATED BY		APPROVED BY		DATE		VERSION	
Chicken House		J. Zeron		A. Morillo		15/07/2021		1.0	
PART NAME		FILE NAME						POS	
Parts list		rpr_ch_chicken-house.csv						B1	
DEVELOPED BY		REDESIGNED BY		DOC. TYPE		MATERIAL		QUANTITY	
Rodale Press		 OHO e.V.		Parts list					
				LICENCE		SCALE		SHEET	
				CC-BY-SA 4.0				5 /10	

EXPLOSION (1 : 50)



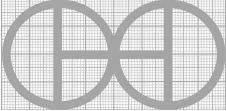
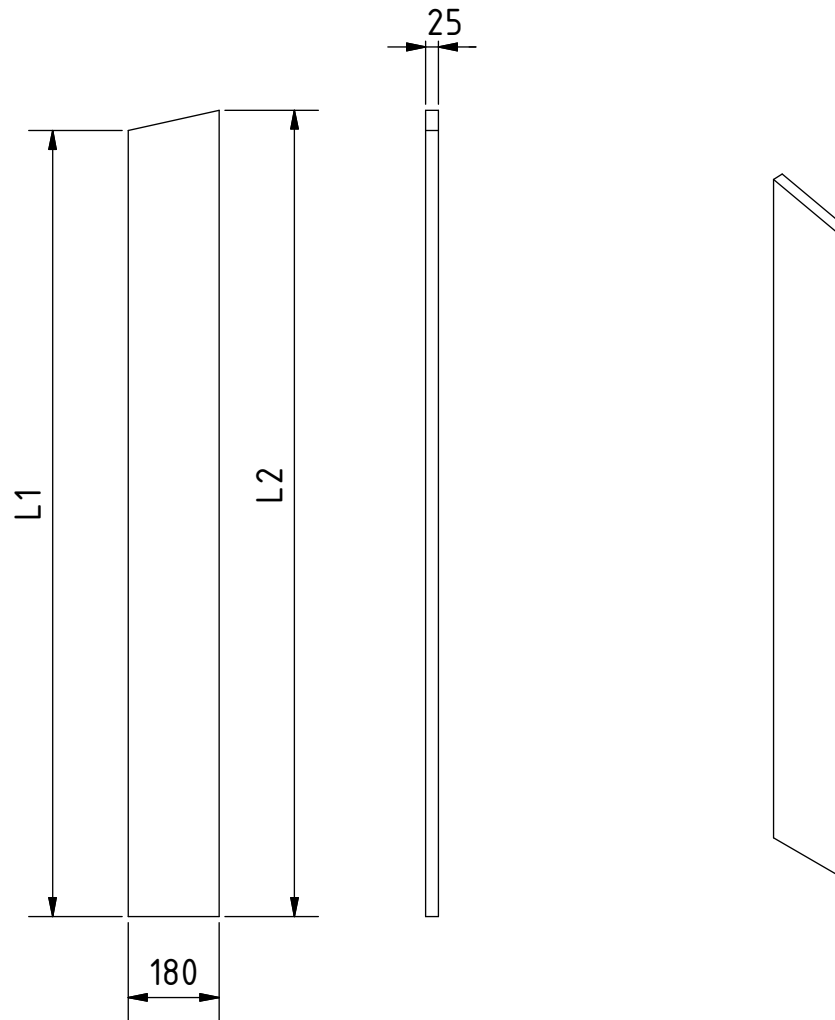
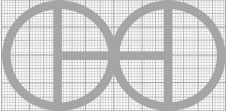
PROJECT	CREATED BY	APPROVED BY	DATE	VERSION
Chicken House	J. Zeron	A. Morillo	15/07/2021	1.0
PART NAME	FILE NAME			POS
Chicken house	Chicken house.ipn			1.0
DEVELOPED BY	REDESIGNED BY	DOC. TYPE	MATERIAL	QUANTITY
		Assembly		1
Rodale Press	OHO e.V.	LICENCE	SCALE	SHEET
		CC-BY-SA 4.0	1:50	6 /10

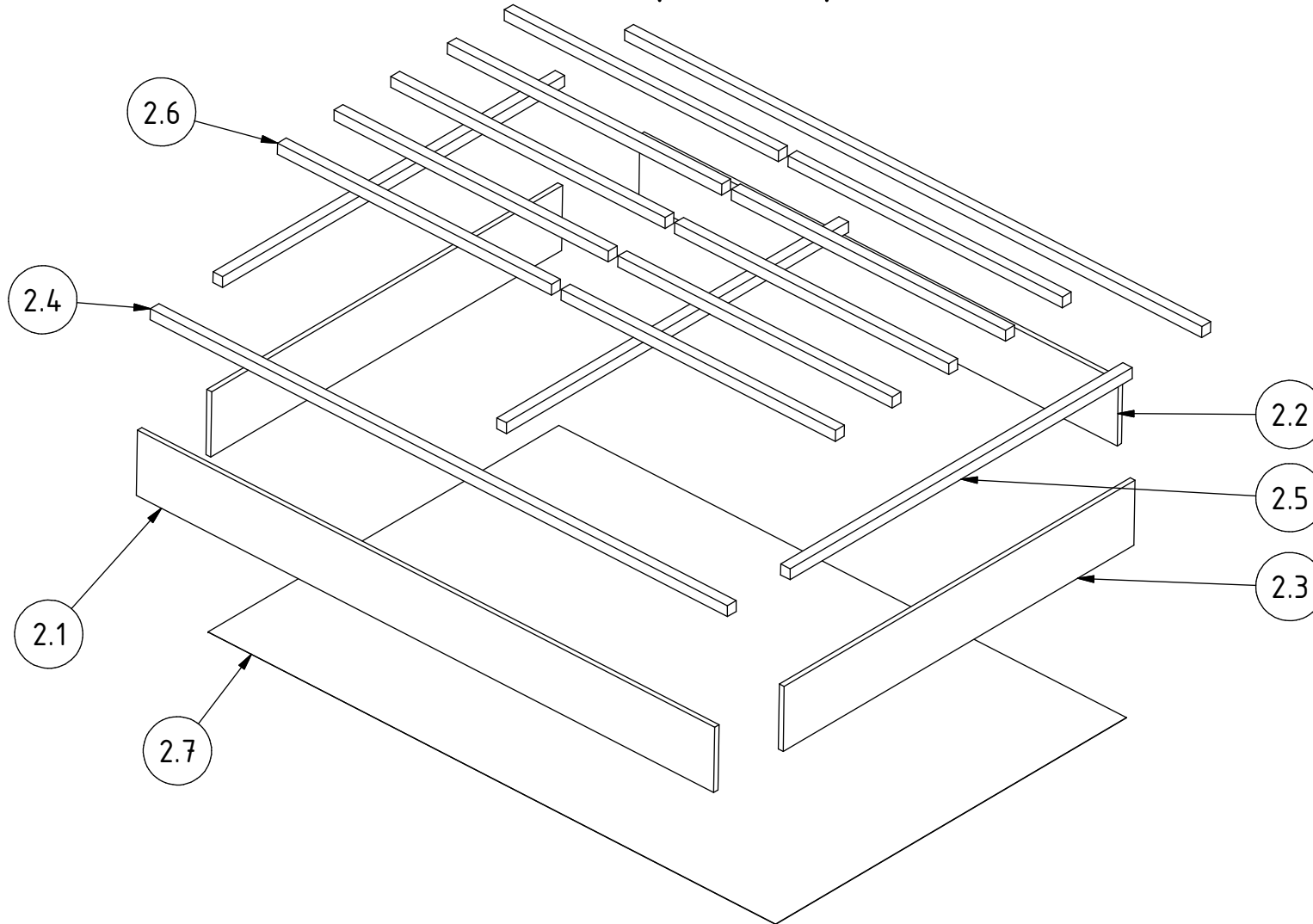
Table sizes			
Item	Amount	L1	L2
1	1	377	418
2	1	418	458
3	1	458	499
4	1	499	539
5	2	1520	1560
6	2	1560	1601
7	2	1601	1641
8	2	1641	1682
9	2	1682	1722
10	2	1722	1763
11	2	1763	1803
12	2	1803	1843
13	2	1843	1884
14	2	1884	1924
15	2	1924	1965
16	2	1965	2005
17	2	2005	2046
18	2	2046	2086
19	2	2086	2127
20	2	2127	2167
21	2	2167	2207
22	1	2207	2248
23	1	2248	2288
24	1	2288	2329
25	1	2329	2369
26	2	2369	2410
27	2	2410	2450

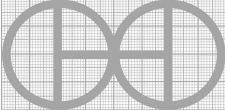


Note: All units in mm.

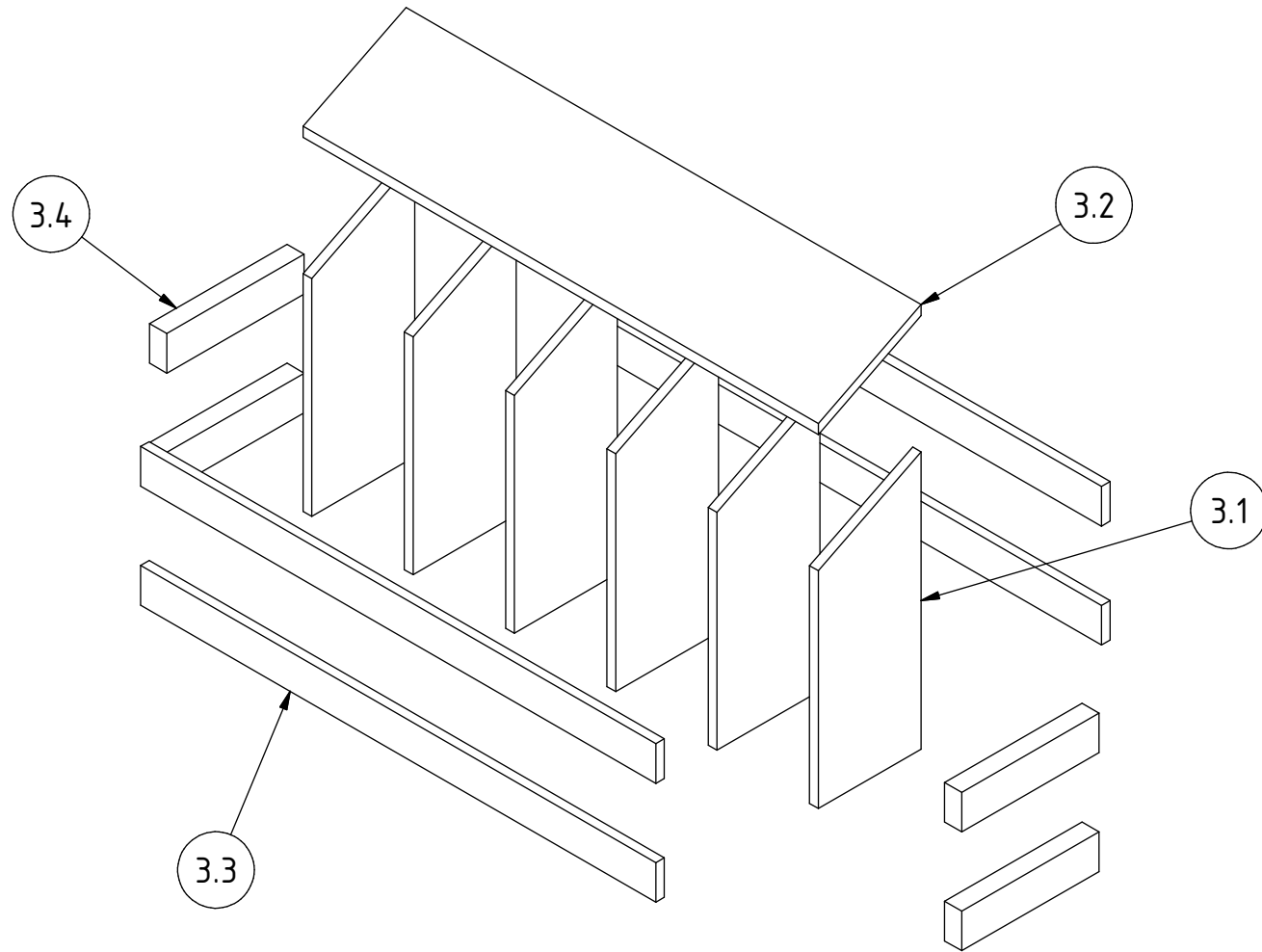
PROJECT	CREATED BY	APPROVED BY	DATE	VERSION
Chicken House	J. Zeron	A. Morillo	15/07/2021	1.0
PART NAME	FILE NAME			POS
Side table	Side table.ipt			1.11
DEVELOPED BY	REDESIGNED BY	DOC. TYPE	MATERIAL	QUANTITY
		Part	Kiln dried wood	46
Rodale Press	OHO e.V.	LICENCE	SCALE	SHEET
		CC-BY-SA 4.0	1:15	7 /10

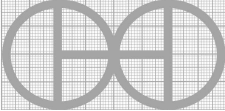
EXPLOSION (1 : 25)



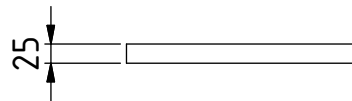
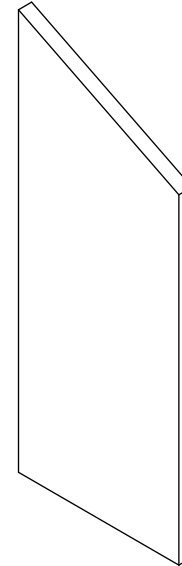
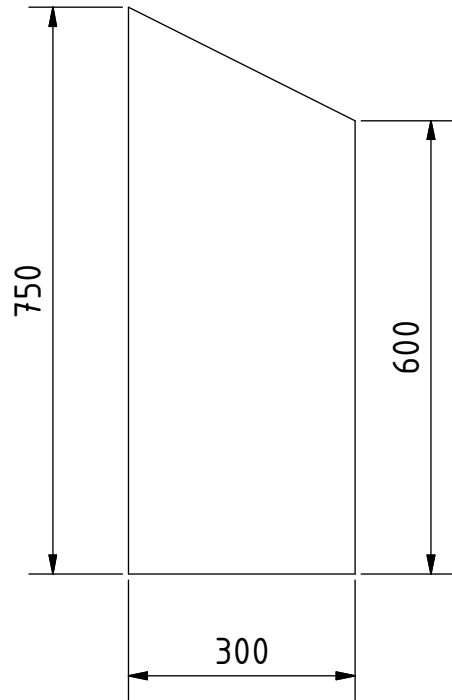
PROJECT	CREATED BY	APPROVED BY	DATE	VERSION
Chicken House	J. Zeron	A. Morillo	15/07/2021	1.0
PART NAME	FILE NAME			POS
Roost	Roost.ipn			2.0
DEVELOPED BY	REDESIGNED BY	DOC. TYPE	MATERIAL	QUANTITY
		Assembly		1
Rodale Press	OHO e.V.	LICENCE	SCALE	SHEET
		CC-BY-SA 4.0	1:25	8 /10

EXPLOSION (1 : 15)

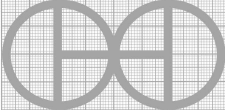


PROJECT	CREATED BY	APPROVED BY	DATE	VERSION
Chicken House	J. Zeron	A. Morillo	15/07/2021	1.0
PART NAME	FILE NAME			POS
Nest	Nest.ipn			3.0
DEVELOPED BY	REDESIGNED BY	DOC. TYPE	MATERIAL	QUANTITY
		Assembly		1
Rodale Press	OHO e.V.	LICENCE	SCALE	SHEET
		CC-BY-SA 4.0	1:15	9 /10

ELEVATION (1 : 10)



Note: All units in mm.

PROJECT	CREATED BY	APPROVED BY	DATE	VERSION
Chicken House	J. Zeron	A. Morillo	15/07/2021	1.0
PART NAME	FILE NAME			POS
Nest table 1	Nest table 1.ipt			3.1
DEVELOPED BY	REDESIGNED BY	DOC. TYPE	MATERIAL	QUANTITY
		Part	Kiln dried wood	6
Rodale Press	OHO e.V.	LICENCE	SCALE	SHEET
		CC-BY-SA 4.0	1:10	10 /10