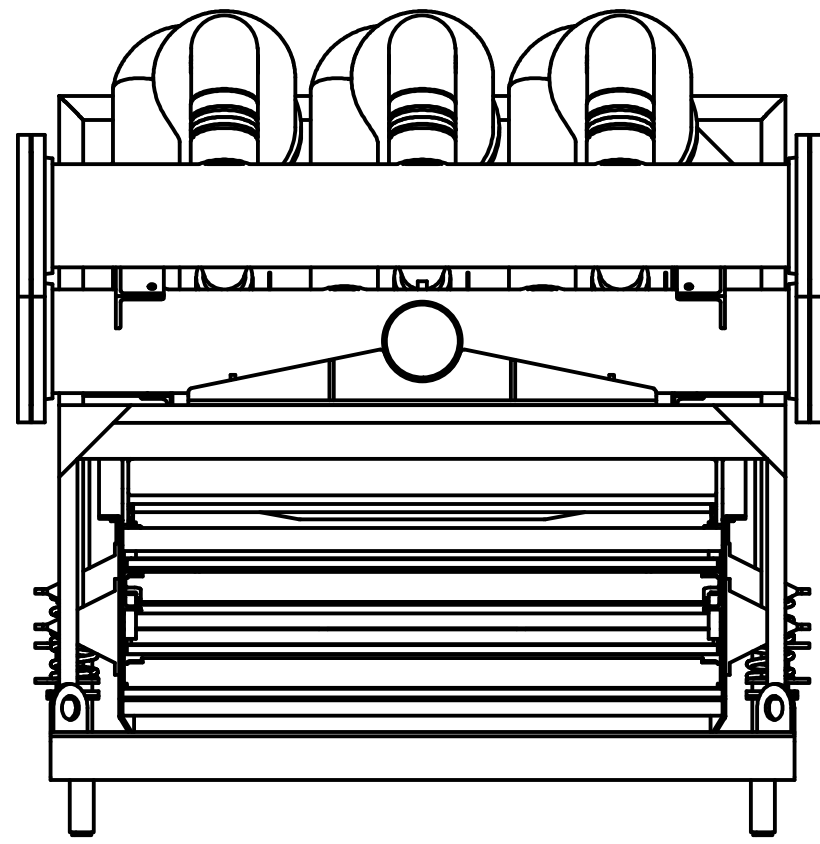
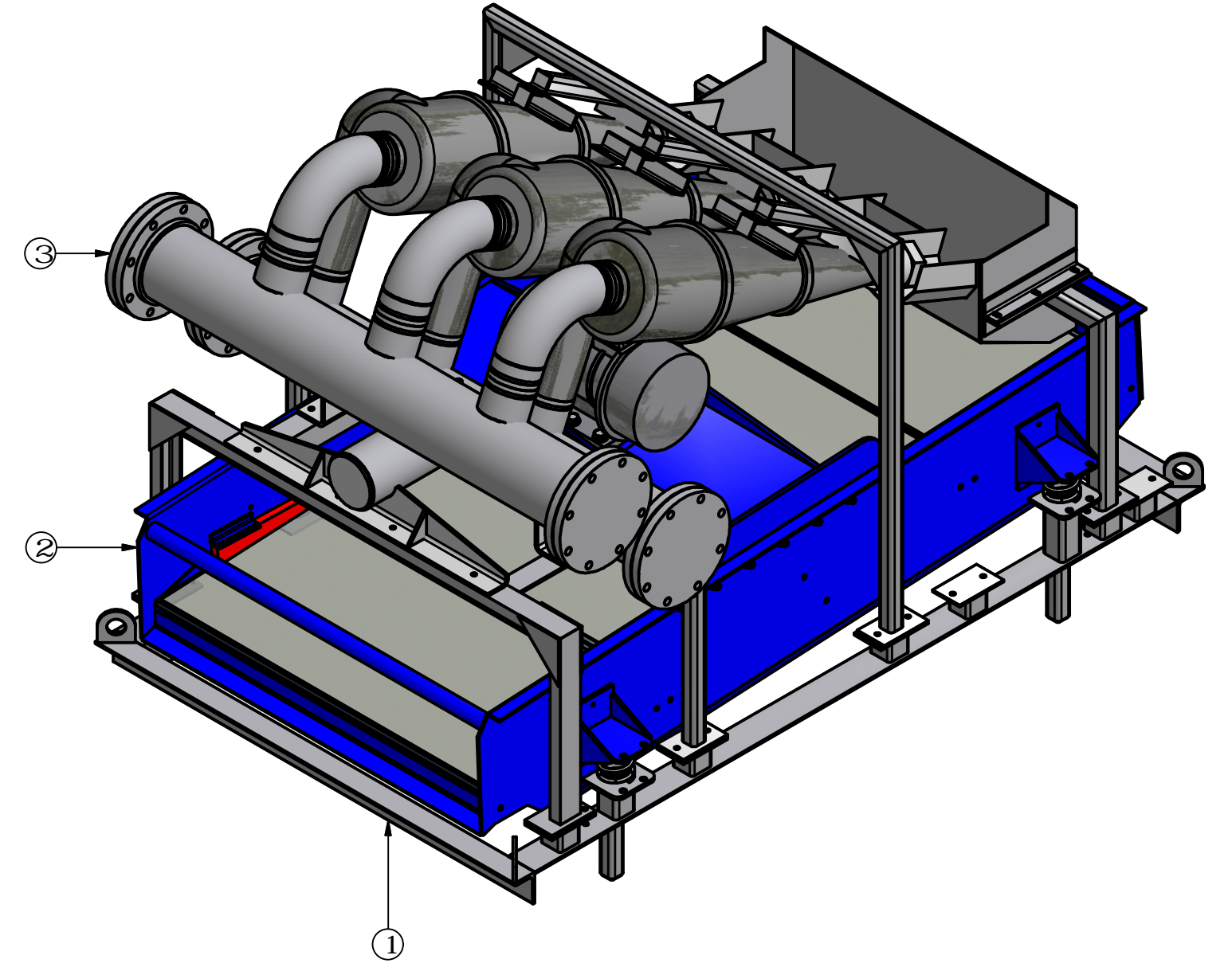
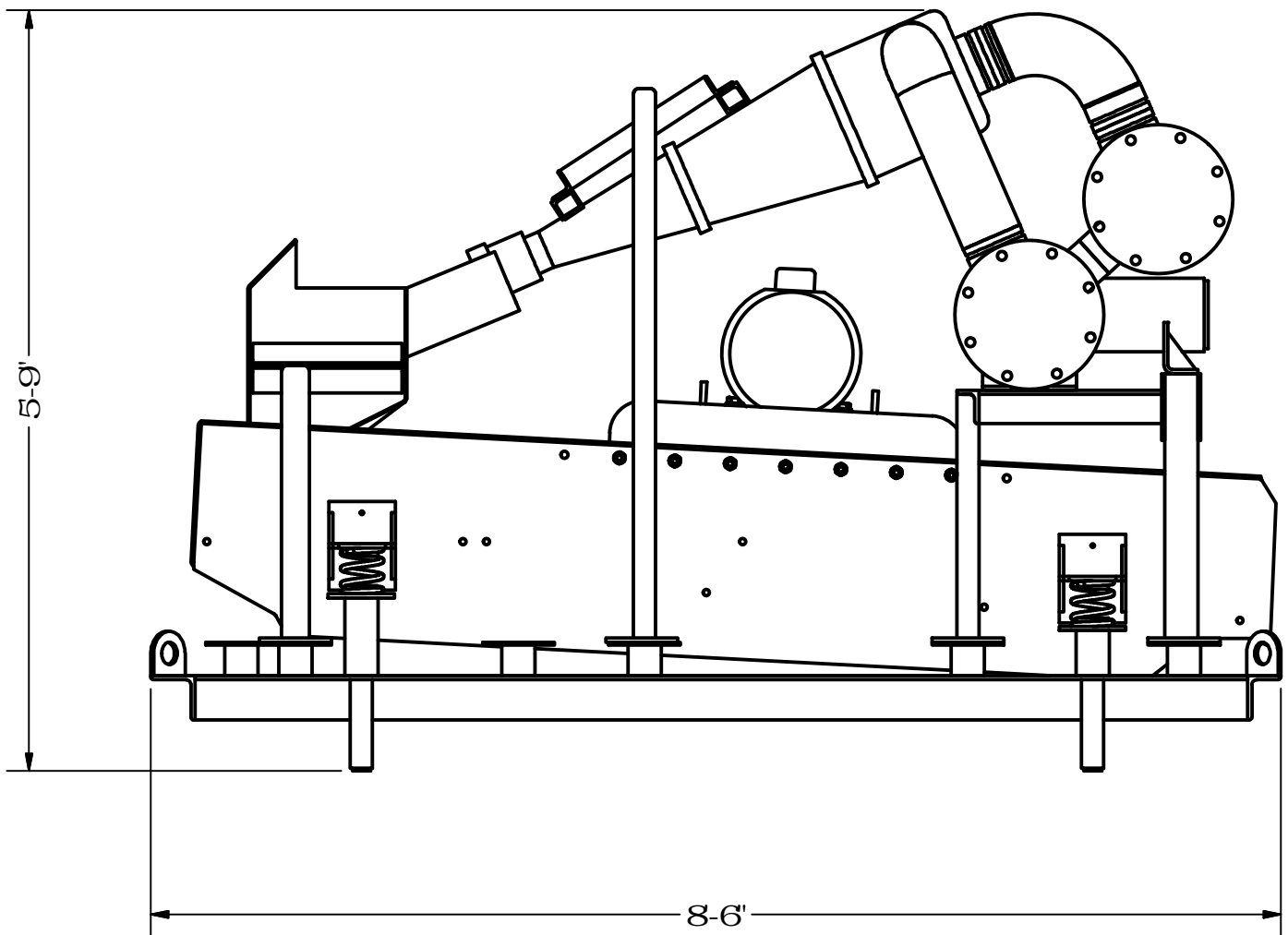
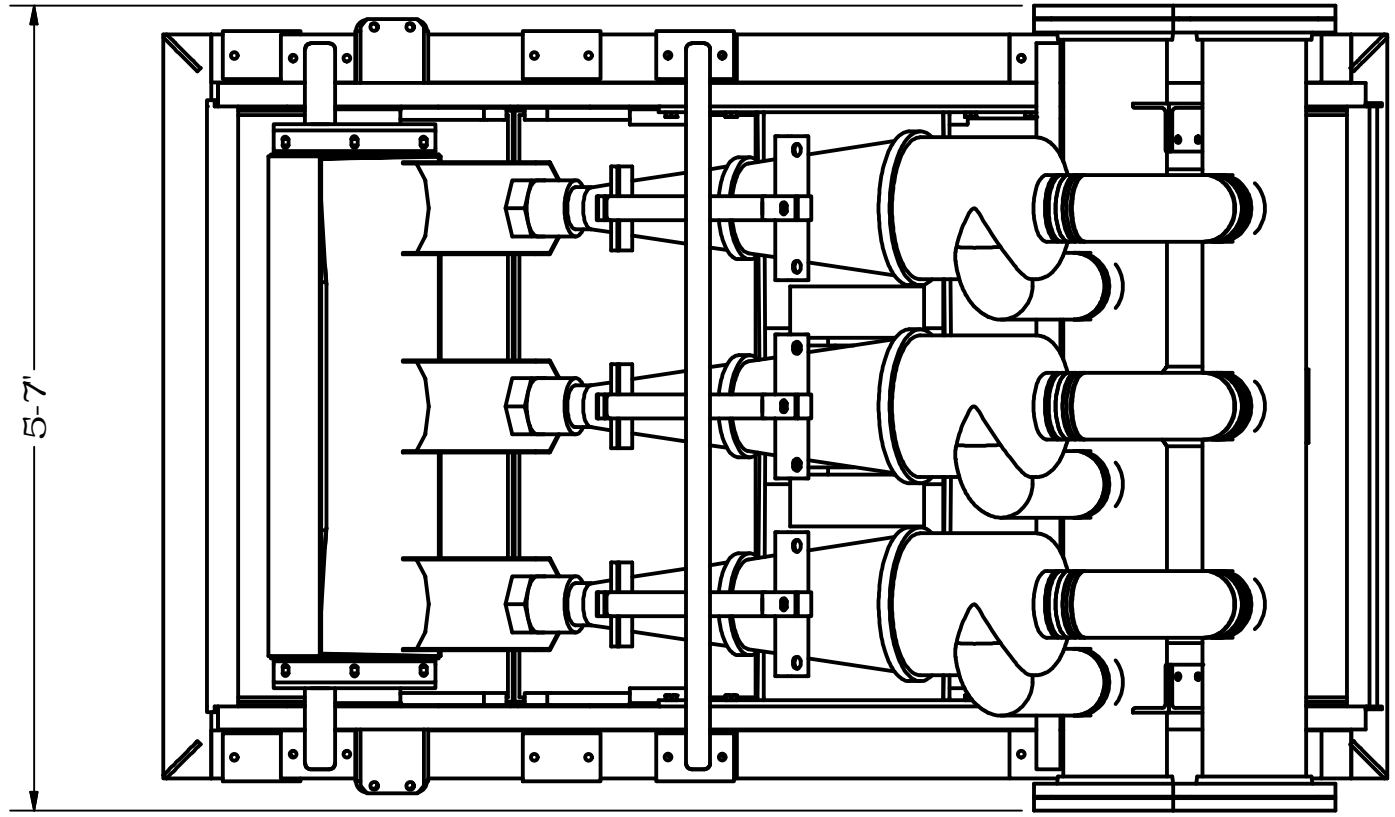


TRIFLO				
ITEM	ITEM QTY	DESCRIPTION	STRUCTURAL	WEIGHT LB
1	1	148E PIP CUT AWAY SKID	12-00-030	322
2	1	148E PIP SHAKER	03-01-670	1760
3	1	3-10 DESANDER	12-00-630	1333



Tri-Flo International Willis, TX 936-856-8551

DRAWN RCT	9/5/2013	Tri-Flo 3-10 Desander over 148E PIP	
CHECKED WADE JOHNSON QA			
MFG		TITLE	
APPROVED CLIFF CANTON		148E PIP CUT AWAY	
		SIZE C	REV O
		SCALE	SHEET 5 of 5