

1,325,905.

A. H. PARKER.
HEATING FURNACE.
APPLICATION FILED JULY 9, 1918.

Patented Dec. 23, 1919.

2 SHEETS—SHEET 1.

Fig. 1.

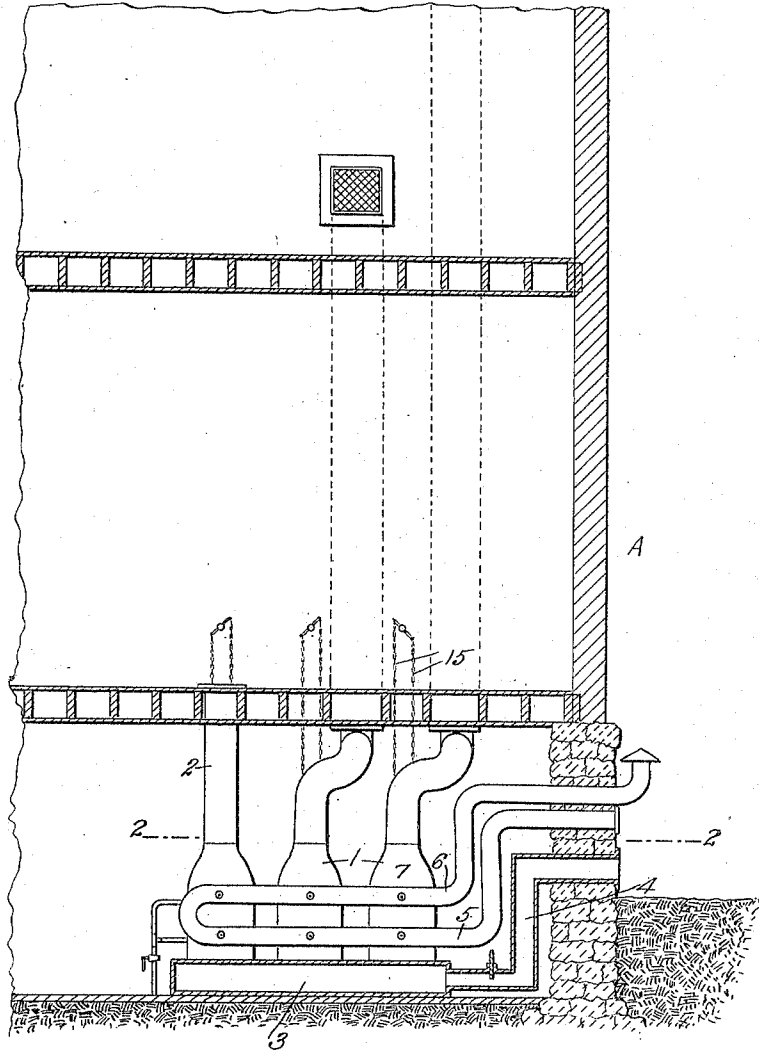
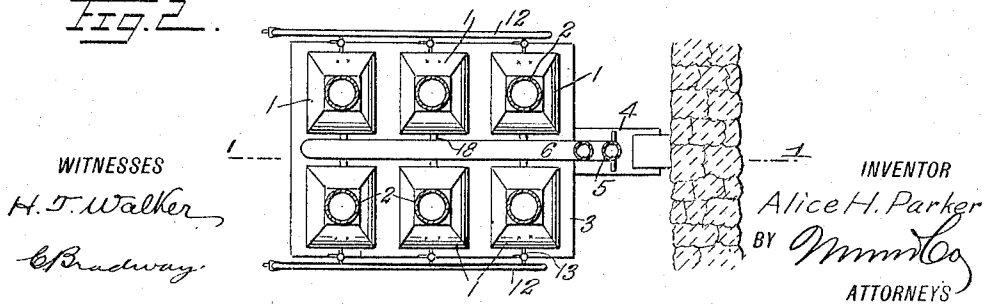


Fig. 2.



WITNESSES

H. T. Walker

E. Broadway

INVENTOR

Alice H. Parker

BY *M. M. Co.*

ATTORNEYS