

Understanding Creative Commons license

before licensing your work



THREE-LAYER DESIGN

Creative Commons (CC) license has three layers:

- "Legal Code" (base layer): contains terms and conditions to be used by lawyers and legally applicable in court.
- "Human Readable" (commons deeds): contain the summary of the legal code and key terms.
- "Machine Readable": contains HTML or codes for machines to recognize a work is available under a Creative Commons license.

FOUR ELEMENTS

- BY ("Attribution"): users must credit the author of the work they are using.
- SA ("ShareAlike"): adaptations based on this work must be licensed under the same license.
- NC ("NonCommercial"): the work is only available to be used for noncommercial purposes.
- ND ("NoDerivative"): reusers making cannot share adaptations of the work.



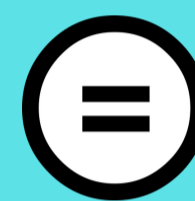
BY



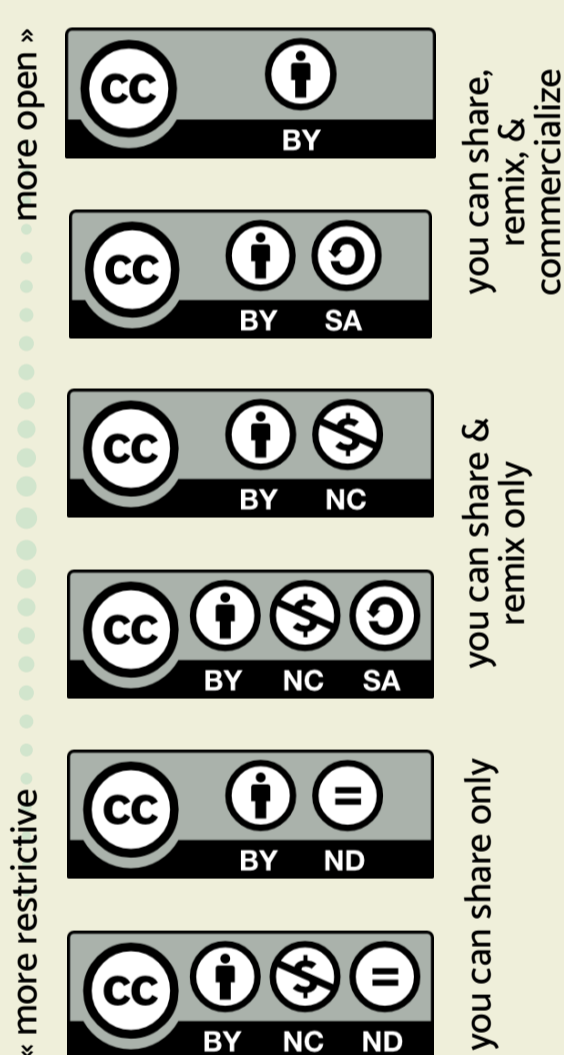
NC



SA



ND



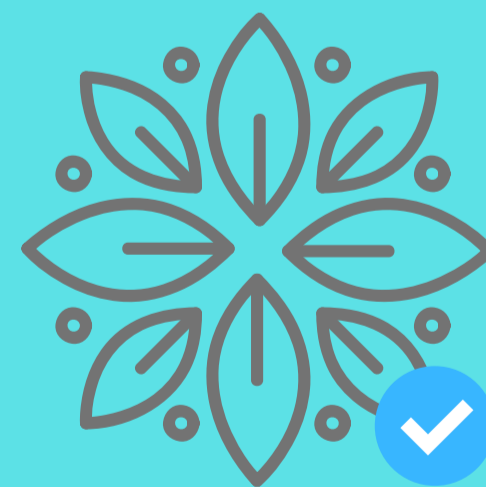
SIX LICENSES

- CC BY ("Attribution") allows people to use the work for any purpose (even commercially and even in modified form) as long as they give attribution to the creator.
- CC BY-SA ("Attribution-ShareAlike") allows people to use the work for any purpose (even commercially and even in modified form), as long as they give attribution to the creator and make any adaptations they share with others available under the same or a compatible license.
- CC BY-NC ("Attribution-NonCommercial") allows people to use the work for noncommercial purposes only, and only as long as they give attribution to the creator.
- CC BY-NC-SA ("Attribution-NonCommercial-ShareAlike") allows people to use the work for noncommercial purposes only, and only as long as they give attribution to the creator and make any adaptations they share with others available under the same or a compatible license.
- CC BY-ND ("Attribution-NoDerivative") allows people to use the unadapted work for any purpose (even commercially), as long as they give attribution to the creator.
- CC BY-NC-ND ("Attribution-NonCommercial-NoDerivative") allows people to use the unadapted work for noncommercial purposes only, and only as long as they give attribution to the licensor.

REMINDE THAT...

CC license only applicable to the work that is within the scope of copyright law. CC license can be used when ...

- you want to give others permissions to freely copy and redistribute your work, and
- you want to give others permission to freely transform, alter, or otherwise create derivative works based on your work.



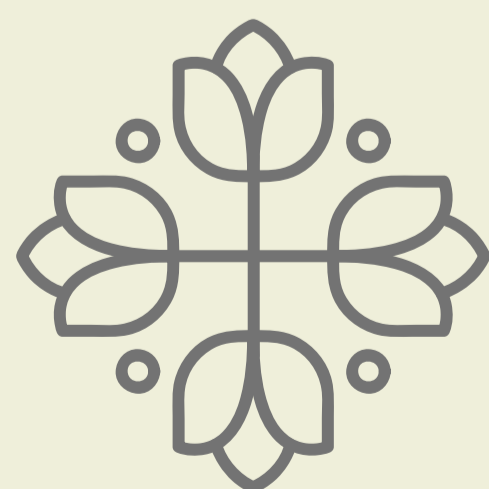
CC LICENSE CAN'T BE USED FOR ...

fair use, fair dealing, or some other limitation and exception to copyright applies the the work.

ALSO FOR ...

the work that is already in the Public Domain.

For those who want to waive their rights from copyright protection, use CCo ("CC Zero").



NOW, SHARE YOUR WORK!
<https://creativecommons.org/choose/>