

819253

1909 2/24 09
17

PANHARD & LEVASSOR



1909

Panhard & Levassor
American Branch
Broadway and 62d St.
N. W. Corner
New York City



Société Anonyme Des Anciens

ETABLISSEMENTS

PANHARD & LEVASSOR

HEAD OFFICE

19 Avenue d'Ivry, Paris

FRANCE

AMERICAN BRANCH

1881-1885 Broadway

NEW YORK CITY

BOSTON OFFICE

901 Boylston Street

Telephone: 4977-4978-4979 Columbus.

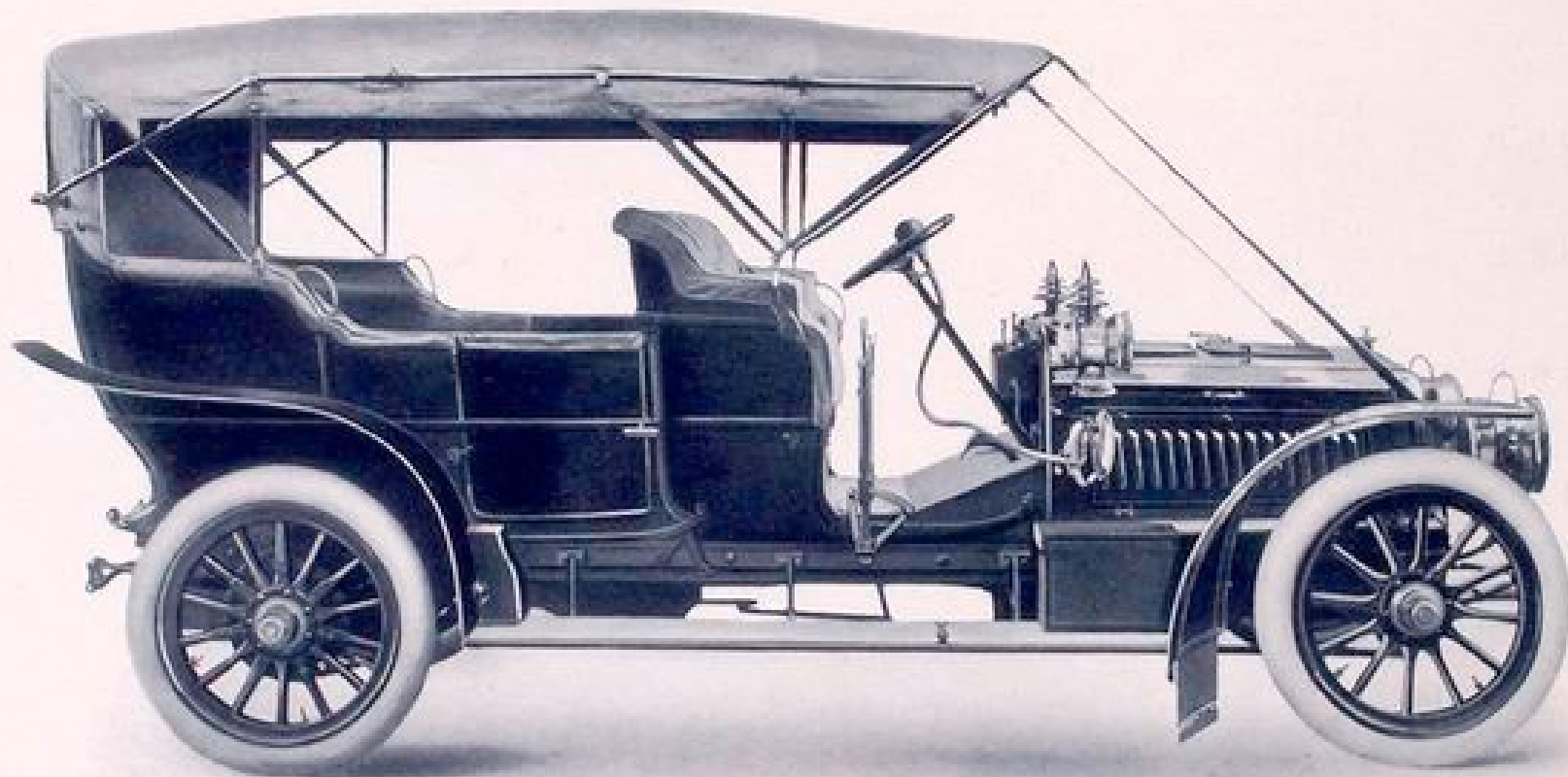
Cable Address: Panhard, N. Y.

A. MASSEMAT, General Manager.

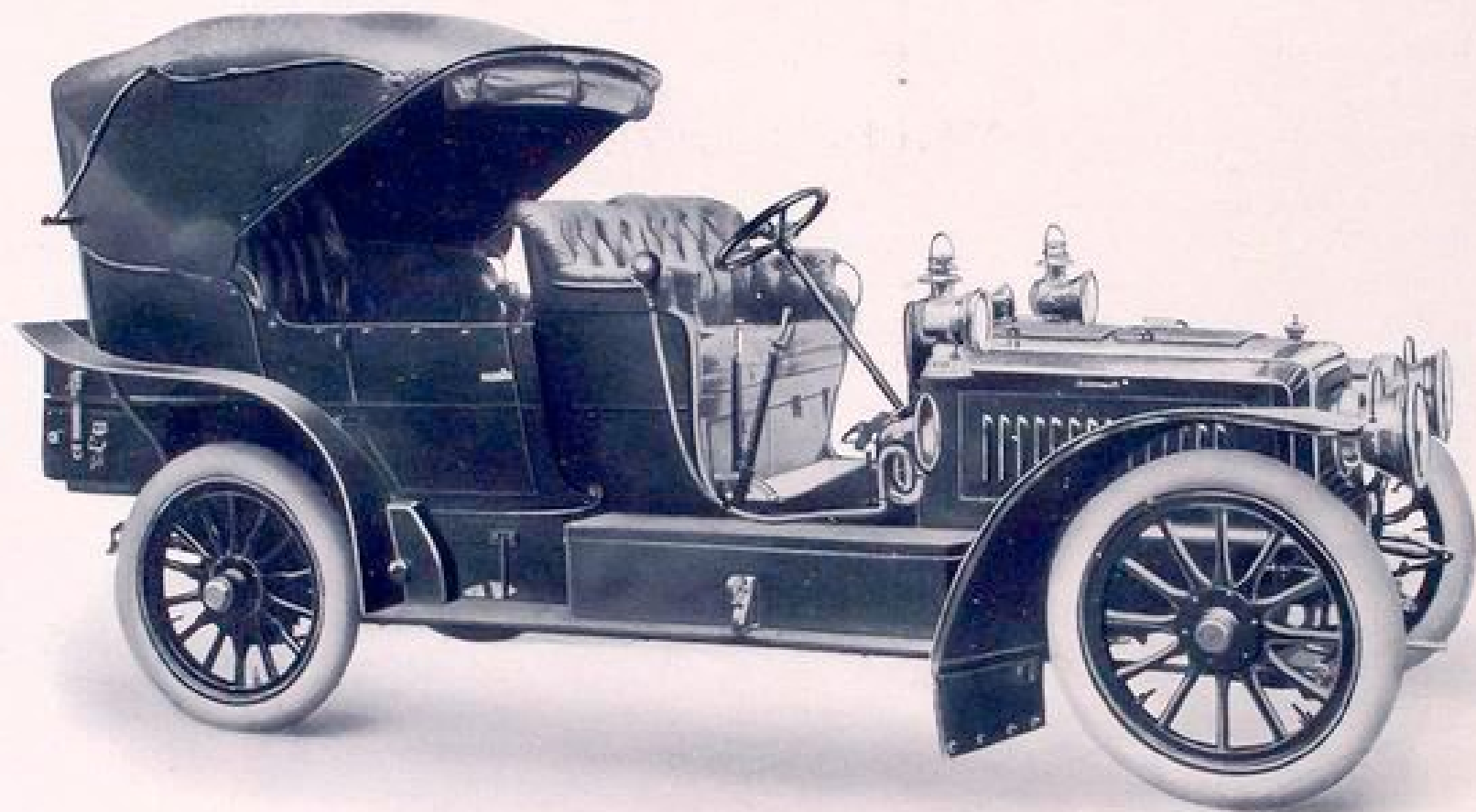
A. de MAGNIN, Assistant Manager.



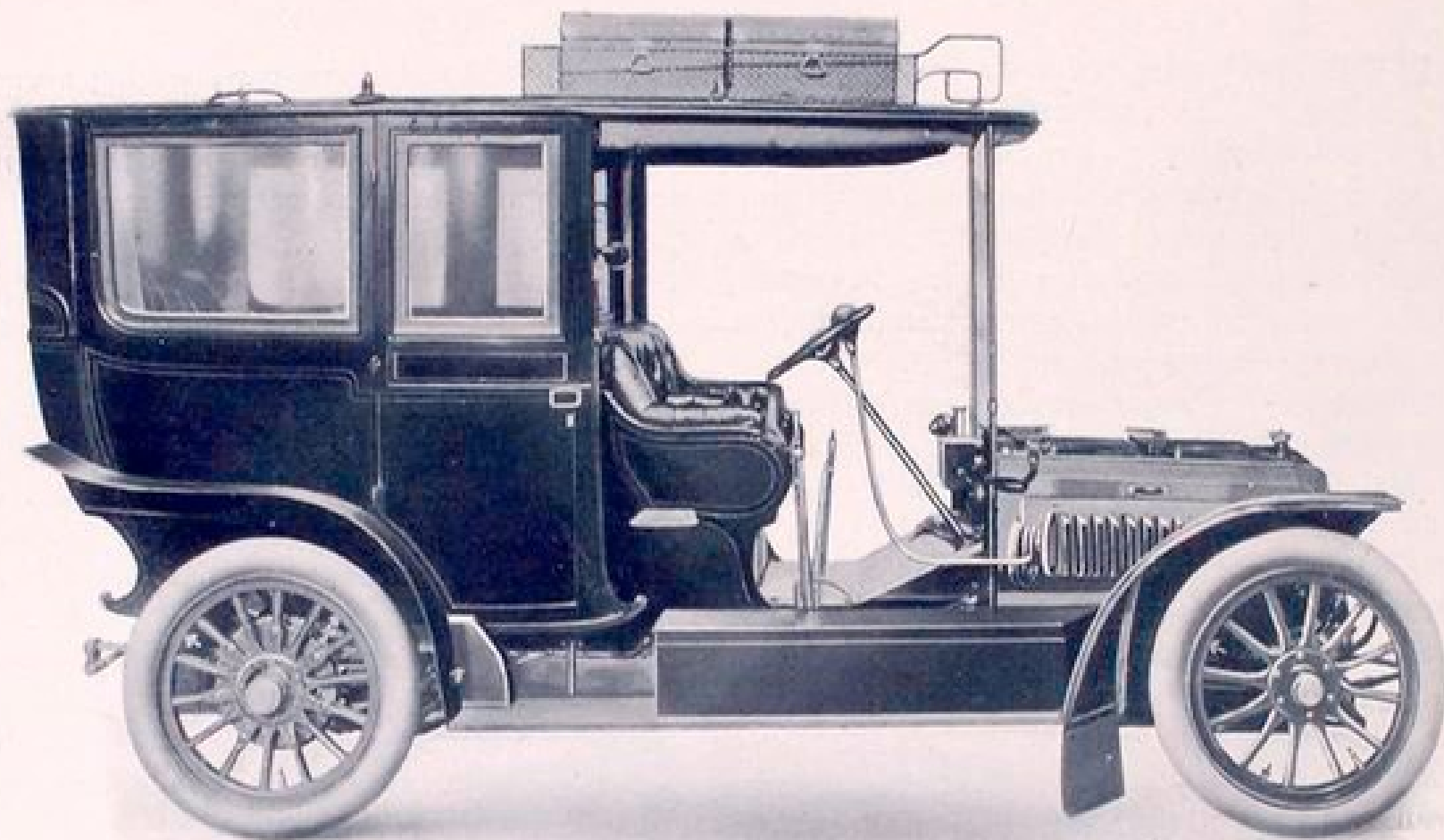
Double Phaeton
with Full
Extension Top,
High Powered



Double Phaeton
King of Spain,
with
Victoria Top



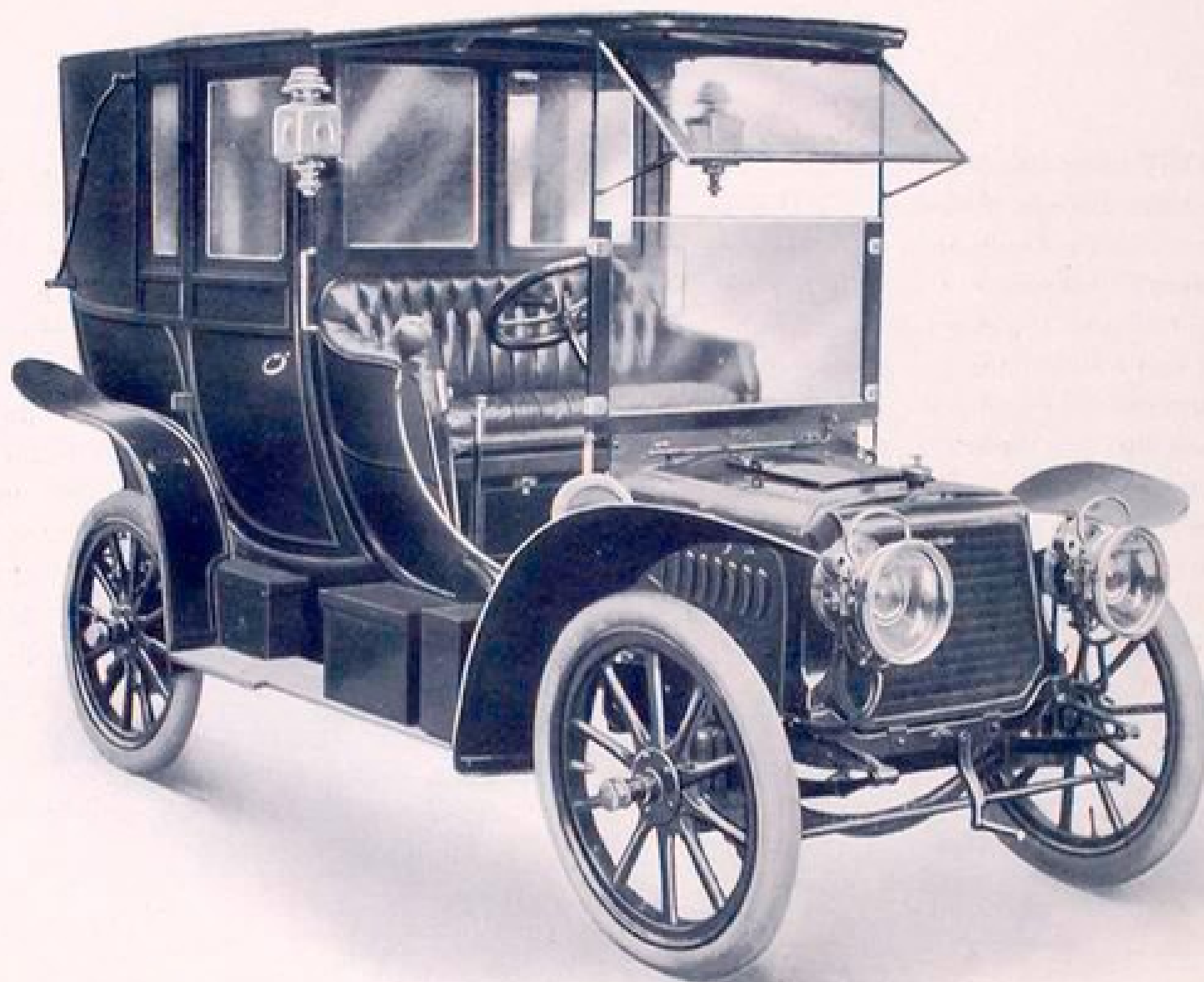
Limousine on
Chain-Driven
Chassis for
General Use



Landaulet with
Motor Under
the Seat on
Shaft or
Chain-Driven
Chassis

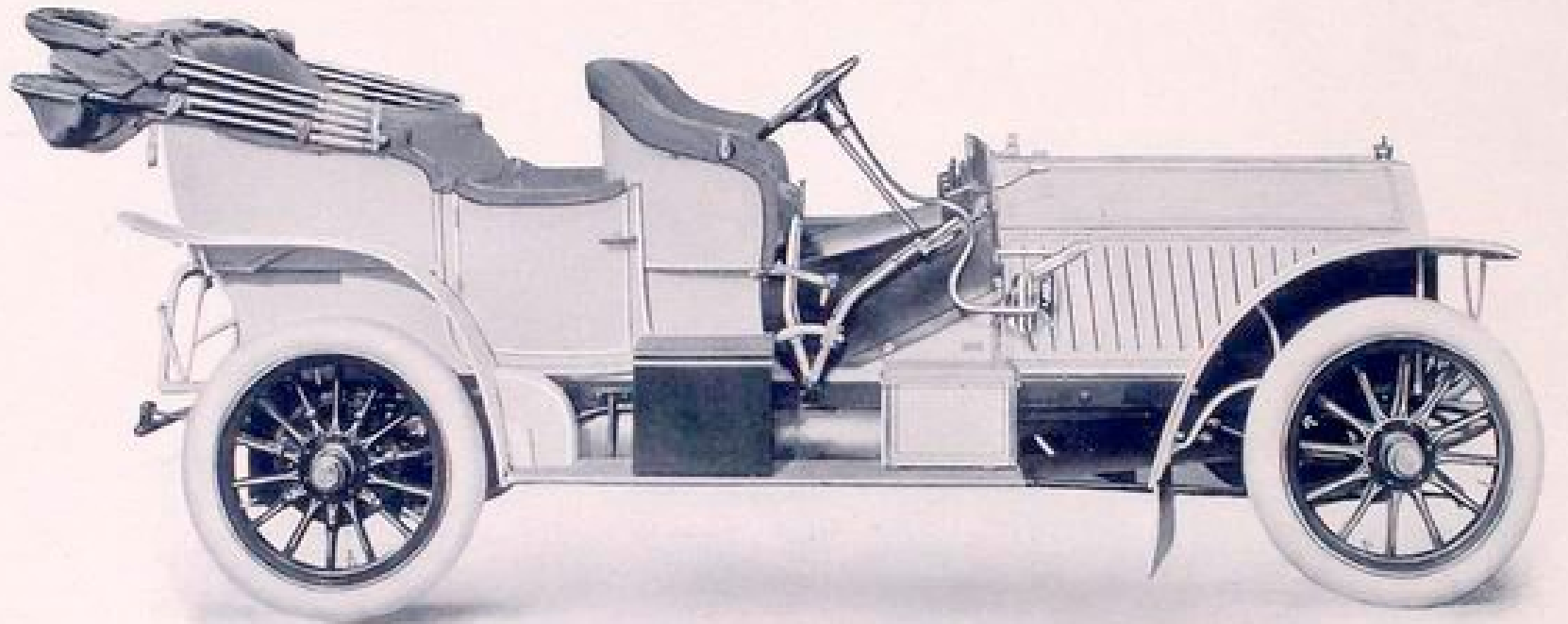


Small Landulet
for Town Use
on Shaft or
Chain-Driven
Chassis

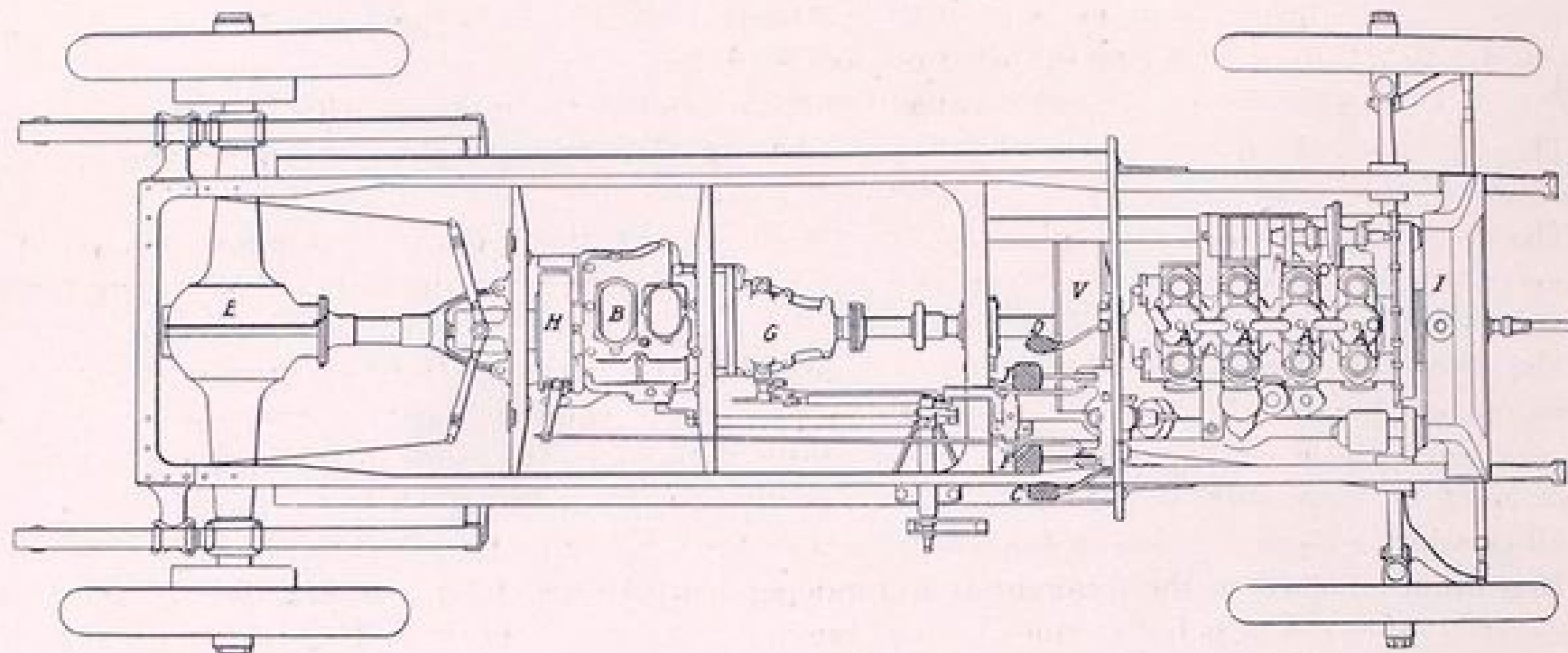


A

Light
Double Phaeton



15 H. P.
Chassis



- A. Cylinders
- B. Gear Case
- C. Accelerator Pedal
- D. Motor Brake Pedal

- E. Differential Case
- F. Brake Pedal
- G. Clutch
- H. Foot Brake

- I. Water Tank
- J. Clutch Pedal
- V. Fly-wheel