

MICROSCOPY APPARATUS

Filed Nov. 7, 1957

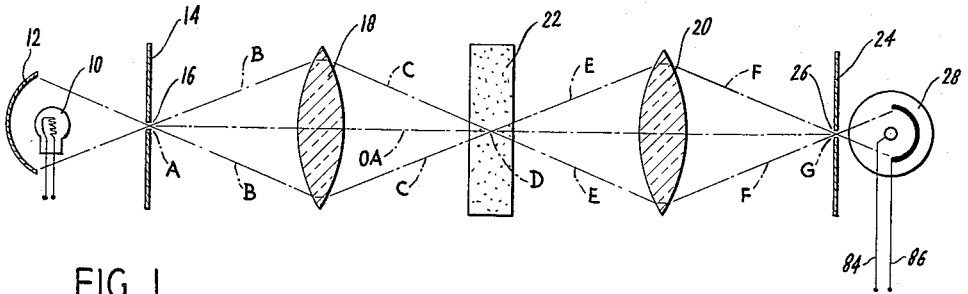


FIG. 1.

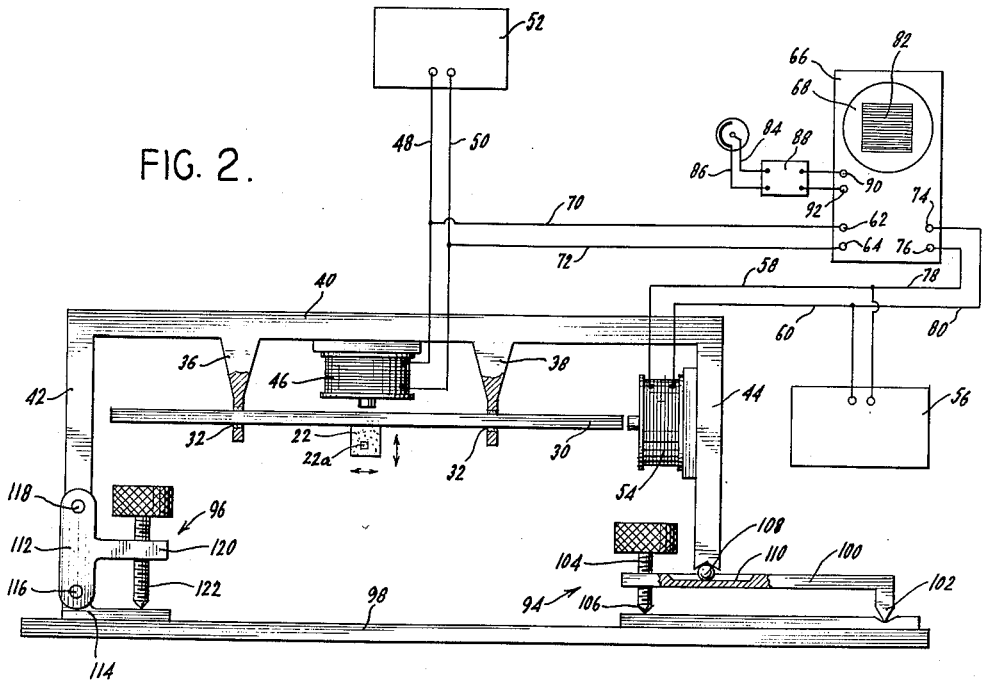


FIG. 2.

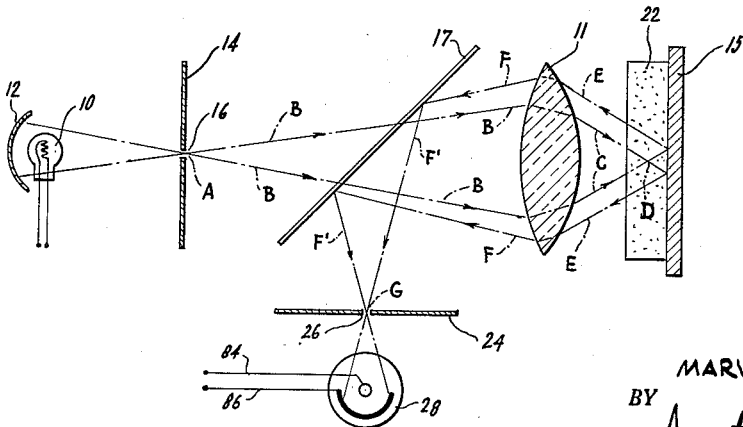


FIG. 3.

INVENTOR.  
 MARVIN MINSKY  
 BY *Ametor & Levy*  
 ATTORNEYS