

PROGRESS OF GLENDALE
AS TOLD BY BUILDING
Total for year 1920.....\$3,137,269
Total for year 1921.....\$5,099,201
Total for year 1922.....\$6,305,971
Total for 1923 to date \$2,187,412

THE GLENDALE EVENING NEWS

GROWTH OF GLENDALE
SHOWN IN POPULATION
Total in 1910 was.....2,742
For Year 1920 was.....13,350
Per Cent Increase.....393
Today, Estimated at.....40,000

WEATHER: Possibly Showers Saturday. GLENDALE, LOS ANGELES COUNTY, CALIFORNIA, FRIDAY, MARCH 9, 1923. Sixteen Pages VOL. XVIII. NO. 158

BIRTHDAY OF ROTARIANS OBSERVED BY PARTY

First Annual Gathering Is Featured by Program of Song and Oratory

AMID enthusiastic bursts of poetry, song and oratory, the first annual banquet of the Glendale Rotary Club progressed pleasantly last night, at a restaurant on South Flower street, Los Angeles—an even 100 Rotarians, with their Rotary Anns and friends, participating in the merriment and good-fellowship.

President Roy L. Kent opened the program with a brief summary of the club's progress during the first year of its organization, stating that twelve months ago it was in swaddling-clothes, but that so rapid has been its growth through the various stages of youth and adolescence, that it has in a short year become a father—and he bowed with a smile to the contingent of seven representatives of the newly-formed Burbank chapter, sponsored by the Glendale club.

President Kent then called on Owen C. Emery for a "toast" on "Has It Been Worth While?" to which Mr. Emery replied with a number of parallel questions. Was the war worth while, that put democracy in the world's heart? Was Edison worth while, who put light in a little bulb? Was Bell worth while, who put sound in a far-flung wire?

Worthy Causes

Mr. Emery then traced the various worth-while things the Glendale Rotary club has done in the past year—the worthy causes it has backed, the sick and crippled children it has cared for, the boys it has looked after.

Arthur H. Dibbern, who followed with a toast on "Looking Ahead," stated that in Rotary the old and the new worlds clasped hands. Then he gave a picture of what the future might be—all prejudices, all hates, jealousies, hypercriticisms swept away, supplanted by comradeship and brotherhood.

Makes Better Men

J. A. Newton gave a brief talk on "Does Membership in Rotary Make a Better Man?" He ended his remarks in support of this contention with a quotation from the Code of Ethics: "The genius of Rotary is not in its competition but in its co-operation."

Rev. E. E. Ford delivered a very eloquent address on "Friendship," using the radio simile: "When you get the tune in, and that's friendship," he concluded.

David Ross, the memory expert, a member of the Los Angeles Rotary club, followed with an exceedingly interesting act that

(Continued on Page 3)

Tuesday Club Asks All of Glendale To Housewarming

ALL Glendaleans have been invited to participate in the housewarming of the new Tuesday Afternoon Clubhouse Monday afternoon. This invitation has been voiced for the club by Mrs. Daniel Campbell, president. On behalf of the club, Mrs. Campbell says: "To Our Friends and Fellow Citizens: On March 12, 1923, we will open our new clubhouse at the corner of Central Avenue and Lexington drive. You are cordially invited to come and rejoice with us over our very beautiful new home. The hours are from 3 to 5 o'clock. The Tuesday Afternoon Club of Glendale."

BUILDING PERMIT TOTAL \$2,224,987

Sum of \$181,138 Is Record For Month of March to Date; Many New Homes

More than \$25,000 worth of building permits were issued yesterday at the city hall. This sum increased the total for the first six and a half business days of this month to \$181,138. The total for the year so far amounted to \$2,224,987 this morning.

Yesterday's permits included the following:

Mrs. M. K. Waterman, two 8-room duplexes, 1002 Virginia place.....	\$ 8,600
Mrs. M. K. Waterman, 8 room duplex and garage, 220 West Acacia avenue.....	4,200
L. E. Ziser, 6 rooms and garage, 1205 Green street.....	4,000
Harry Thomas, 6 rooms and garage, 816 East Elk avenue.....	4,000
Jos. J. Vaskik, 5 rooms and garage, 471 Pioneer drive.....	4,000
John H. Houle, 6-room duplex, 712 South Maryland avenue.....	3,200
Security Trust & Savings bank, remodel, 1131 Glenwood ave.....	2,500
G. A. Leas, 3 rooms, 1032 Western avenue.....	1,500
K. Okayama, repairs, 301 North Howard street.....	1,500
H. E. Bates, filling station, 725 South Central avenue.....	1,200
J. E. Colvin, 3 rooms, 1241 East Lexington drive.....	1,000
J. A. Ware, garage, 1016 Raymond street.....	500
A. M. Hanson, garage, 648 Raleigh street.....	350
Charles A. Fischer, steel shed, 814 East Broadway.....	250
J. Simmons, addition, 1250 Irving avenue.....	200
Charles Wells, addition, 336 West Maple street.....	150
Mrs. M. L. Lindsey, garage, 1425 East Wilson avenue.....	125
L. L. Smith, store room, 112 North Isabel street.....	100
George Schaffer, garage, 1219 North Central avenue.....	100

PRISONER IN BANK VAULT ALL NIGHT

Employee Near Death From Suffocation When Locked Up by Mistake

PATERSON, N. J., March 9.—Charles Di Giacomo, 24, clerk in the Peoples Park Trust company here, whose protruding eyes, blue face and hanging tongue told mutely of his hours of horror spent waiting for death by suffocation in the bank's vault from which he was rescued early today, will recover. This announcement was made today by Dr. Irving Newman.

Although Di Giacomo has declared he was conscious during the five hours in which safe experts worked frantically to release him, Dr. Newman refused to allow him to make any statement.

Patient Improves

"I cannot permit the patient to be disturbed and he is now able to swallow. He is improving rapidly and will recover entirely."

Di Giacomo was preparing to leave the bank yesterday when he was reminded that he had left a package in the vault. Before he could prevent it, the door closed and automatically locked itself, and not until today was his absence noticed.

Northwest Corner Of Chestnut, Brand Sells for \$22,000

ANOTHER South Brand boulevard improvement is predicted in the purchase by Dr. Arthur G. Morton of 354 West Lorraine street, of the northwest corner of Chestnut street and South Brand boulevard for \$22,000.

A two-story store and apartment building will probably be erected on the property.

W. B. Kelly of 106 West Colorado street, who handled the transaction, feels that the investment of Dr. Morton on South Brand brings another live wire to Glendale.

PETER L. FERRY'S CAMP IS SCORED

Property Owners in Protest And City Council Orders Inquiry to Be Made

Removal of the grading camp at 614 East Acacia avenue operated by Contractor Peter L. Ferry was the subject of a petition signed by 132 residents of the vicinity and presented last night to the city council.

"This is a breeding place of flies and filth, a very eyesore to the entire community. Our taxes are going up, but property values are at a standstill near this place. If there be no ordinance in force by which your body can remove this camp, we respectfully request you to pass one giving us immediate relief," said the petition.

Pave Glendale Avenue

Glendale avenue is to be paved in the near future, according to a report made by Charles P. Stuart of 638 East Broadway, chairman of a special committee, which has been urging this improvement for some time. He stated that petitions urging the re-paving of this thoroughfare were received several weeks ago by the City Council with favor. He added that preliminary work by the city engineering department, including surveying, would require about sixty days.

"The Council is going ahead to pave this street," remarked Mr. Stuart, "but they want an expression from the property owners in regard to the kind of paving."

The perfect condition of the paving on North Brand boulevard after six years of service was commented upon by S. C. Kinch, who suggested that a committee investigate the most desirable and durable paving for Glendale avenue.

An attempt to have a definite preference for the kind of paving expressed at the luncheon was made by C. E. Stanley of 108 North Everett street, who seemed to feel that failure to make such recommendation might delay the project.

"We ought to take some action and we ought to have our street started as soon as possible," he remarked. "I would like to see that project started and started right away."

"It will be some time before they get to paving Glendale avenue!" exclaimed Mr. Kinch. "It will be if we delay it," he retorted Mr. Stanley.

The present committee, headed (Continued on Page 13)

CITY PURCHASES PIPE FOR MAINS

Expenditure of \$70,000 Is Approved by Council for New Stock

Over \$70,000 was spent last night by the City Council to maintain the stock of water pipe being stocked by the public service department.

Diederich, superintendent of the maintenance department, recommended the acceptance of bids from the American Cast Iron Pipe company to supply 500 tons of four-inch pipe at \$61.50 a ton and 300 tons of eight-inch pipe at \$75.50 a ton, and a bid from the Pacific Pipe & Supply company to supply 200 tons of six-inch pipe for \$58.30 a ton and 200 tons of twelve-inch pipe for \$58.30 a ton.

"The six and twelve-inch pipe represents a total of 400 tons," remarks a communication by Mr. Diederich. "The Pacific Pipe & Supply company's bid is 80 cents a ton higher than the bid of the American Cast Iron Pipe company, but they will not promise any earlier shipment than the latter part of July or the first part of August. The Pacific Pipe & Supply company promises shipment in April on these two items."

"I believe that we are warranted in paying this additional amount and be able to have the pipe than to accept the other bid, which might mean that we would not receive that pipe in Glendale until October or November. This would, no doubt, seriously hold up numerous street construction jobs."

Orders Inquiry

According to Mr. Ferry, sanitary inspectors of the city of Glendale, have been invited to inspect the camp at various times and have never objected to its condition. He stated that he would be glad to have it inspected once more and would take pleasure in rectifying any unsanitary condition.

After a short discussion, the city council referred the matter to City Attorney Hartley Shaw for an opinion on the legal phase of the subject and to City Manager W. H. Reeves for an investigation. Mayor Spencer Robinson asserted that if unsanitary conditions existed as alleged in the complaining petition, and the sanitary inspector could not see them, it would be time to invite him to "clean off his glasses."

Chickens Vs. Mules

Contractor Peter L. Ferry was present at the meeting. He asserted that until recently Mr. Howell had kept a large number of chickens, which he had now seen fit to dispose of and desired to use the space, which their coops had occupied, for a bungalow court. Mr. Ferry said that he did not see why, just because Mr. Howell got rid of his chickens, he should be asked to get rid of his mules.

"I am not ready to get rid of my mules," he remarked. "Possibly the time is coming when I have got to get out of that place. But I am located on a four-acre tract and I don't think the time is ripe yet."

Orders Inquiry

According to Mr. Ferry, sanitary inspectors of the city of Glendale, have been invited to inspect the camp at various times and have never objected to its condition. He stated that he would be glad to have it inspected once more and would take pleasure in rectifying any unsanitary condition.

After a short discussion, the city council referred the matter to City Attorney Hartley Shaw for an opinion on the legal phase of the subject and to City Manager W. H. Reeves for an investigation. Mayor Spencer Robinson asserted that if unsanitary conditions existed as alleged in the complaining petition, and the sanitary inspector could not see them, it would be time to invite him to "clean off his glasses."

Battling Nelson to Wed in London, Said

SAN FRANCISCO, March 9.—Battling Nelson, the former terror of the prize ring who is now preaching the religion of health to boys in the Y. M. C. A. of the country, admitted here today that he plans to go to London to marry Miss Dora Klein, 23.

According to Nelson it is the culmination of a romance which began seventeen years ago when Miss Dora, then 6, was brought to meet the famous battler while in London on a ring tour.

Childish notes followed, and as years passed and she grew up romance came into their lives.

A recent picture of Miss Klein sent to Nelson is inscribed: "To my big bat from your little Dora, now grown up."

Millionaire Held on White Slave Charge

WASHINGTON, D. C., March 9.—Patrick J. Clifford, a millionaire of Scranton, Pa., was arrested today on a charge of white slave traffic preferred by Bessie B. Brennan, 24, a resident of the Salvator army home for girls. She told the police Clifford took her in his automobile into Maryland and attacked her with a gun. Clifford was released under \$5000 bond.

Two Killed in Blast On British Warship

GIBRALTAR, March 9.—Two men were killed and two others fatally wounded in an explosion on board the British warship Coventeur today. The cause has not been determined.

POSTPONE HEARING

DEHAM, Mass., March 9.—At the request of Defense Attorney J. J. McAnaney, the hearing on the motion for a new trial for Nicolai Sacco and Bartholomew Vanzetti, convicted of murder and robbery, will be postponed for one week.

WAIT PERMIT FOR G. & M. RAILWAY

Official Predicts Sanction of Railroad Commission in Next Thirty Days

The Glendale Advancement association met yesterday noon in the Harriet Mae Tea Room, 201 East Harvard street, and discussed half a dozen topics of community interest.

The approaching grammar school bond election for \$500,000 was endorsed unanimously. Such recommendation was moved by W. L. Truitt of 317 West Doran street and seconded by S. C. Kinch of 328 North Brand boulevard after W. E. Hewitt of 319 Randolph street had brought up the subject as a member of the Citizens' Educational Committee of Fifteen.

The establishment of street car service on South Glendale avenue was the next subject of discussion. Val M. Harnesap of Los Angeles, secretary and treasurer of the Glendale & Montrose railway, reported that actual work would be commenced as soon as the State Railroad commission had granted a definite franchise. He said that he thought this would be received within the next thirty days.

In reply to a question, Mr. Harnesap stated that the line would be single track until traffic demanded a double track. He remarked that railroads generally exhaust every resource of efficiency before laying double tracks.

Pave Glendale Avenue

Glendale avenue is to be paved in the near future, according to a report made by Charles P. Stuart of 638 East Broadway, chairman of a special committee, which has been urging this improvement for some time. He stated that petitions urging the re-paving of this thoroughfare were received several weeks ago by the City Council with favor. He added that preliminary work by the city engineering department, including surveying, would require about sixty days.

"The Council is going ahead to pave this street," remarked Mr. Stuart, "but they want an expression from the property owners in regard to the kind of paving."

The perfect condition of the paving on North Brand boulevard after six years of service was commented upon by S. C. Kinch, who suggested that a committee investigate the most desirable and durable paving for Glendale avenue.

An attempt to have a definite preference for the kind of paving expressed at the luncheon was made by C. E. Stanley of 108 North Everett street, who seemed to feel that failure to make such recommendation might delay the project.

"We ought to take some action and we ought to have our street started as soon as possible," he remarked. "I would like to see that project started and started right away."

"It will be some time before they get to paving Glendale avenue!" exclaimed Mr. Kinch. "It will be if we delay it," he retorted Mr. Stanley.

The present committee, headed (Continued on Page 13)

LEAPS FROM TOP OF MONUMENT

Unidentified Man Jumps to His Death, Falling for Over 500 Feet

WASHINGTON, March 9.—An unidentified man committed suicide this afternoon by jumping from the top of the Washington monument, according to a report to the police.

It is the second incident of the kind in history, a woman having jumped down the elevator shaft seven years ago.

The monument is 550 feet high.

Release Auto Driver On \$5000 Cash Bond

A. R. Daniels of Hollywood, who was driving the automobile which caused the death of Mrs. A. R. Akers, yesterday was released on \$5000 cash bail by Judge F. H. Lowe.

Owner Reports Theft Of Two Suits of Clothes

Two suits of clothes were stolen between 8 and 12 o'clock last night from 1445 North Central avenue, according to the report of Frank Hester to the local police department.

Chinese Cabinet Quits Says Shanghai Report

LONDON, March 9.—The Chinese cabinet has resigned, said a dispatch from Shanghai today. This is the eighth Chinese government change within a year.

BABE RUTH BETTER

NEW ORLEANS, March 9.—It is possible that Babe Ruth will take his first practice of the season with his squad of teammates at Heinemann park today. Ruth is recuperating from successive attacks of influenza, which laid him low at Hot Springs, and has not donned a uniform this season.

Policeman's Slayer Pays Death Penalty

SALEM, Ore., March 9.—On the gallows at the state prison here today, Husted A. Walters, ex-soldier, paid with his life for slaying Patrolman Jerome Palmer in Portland, November 17, 1920. He was pronounced dead a few minutes after the trap was sprung. Only prison officials and newspapermen witnessed the hanging.

CONTINUE PROBE

VENICE, March 9.—Definite action to fix responsibility for the death of pretty Arline Zimmerly, 18-year-old motion picture bathing girl beauty, who was found shot to death in a burlesque here early Monday, was reported near today as rigid investigations were under way here and in Los Angeles.

LATEST NEWS

MOLLA ENTERS IN NICE TENNIS TOURNAMENT
MONTE CARLO, March 9.—Mrs. Molla B. Mallory today entered the Nice tennis tournament, dispelling a rumor that she would not take part. Mrs. Mallory will play in singles and mixed doubles, but not in women's doubles.

FORD PAYS OFF LAST OF LINCOLN CO. DEBTS
DETROIT, March 9.—Henry Ford paid off today the last penny of indebtedness against the Lincoln Motor Company. His checks for approximately \$4,200,000 went out to some 900 creditors of the old Lincoln company and to the seven directors who had endorsed its notes at banks for \$4,250,000.

DEFALCATION IN BANK MAY REACH \$1,000,000
SPRINGFIELD, O., March 9.—Fears that the defalcation in the accounts of the Springfield National bank would exceed \$1,000,000 were expressed here today, when it was announced a shortage of more than \$250,000 in bonds in safe deposit boxes had been found in a partial check-up.

LADY ASTOR'S BILL PASSES HOUSE OF COMMONS
LONDON, March 9.—Lady Astor's prohibition bill, prohibiting the sale of intoxicants to persons under 18 years of age, passed on second reading in the House of Commons this afternoon despite a storm of criticism and ridicule. The vote was 338 to 56, which represented a most remarkable victory for the American-born peeress.

GREAT BRITAIN WILL DELIVER BONDS TO U. S.
WASHINGTON, March 9.—Great Britain will deliver sixty-two separate bonds to the United States to cover her \$4,600,000,000 indebtedness, Secretary of the Treasury Mellon announced this afternoon, following a meeting of the American debt funding commission.

REFORM BUREAU IN ATTACK ON WILL H. HAYS
WASHINGTON, March 9.—The International Reform Bureau, directed until a few months ago by the late Dr. Wilbur F. Crafts, today turned its guns on Will H. Hays and the motion picture producers and distributors of America. Dr. Robert Watson, president of the bureau, told Hays in a letter that he has "no hopes of any betterment of motion pictures" coming through Hays or the organization which he heads.

URGES FRANCHISE TO P. E. BUS LINE

Godfrey Edwards Asks City Council to Take Favorable Action on Matter

Astonishment that any obstacle should be placed in the way of the operation of Pacific Electric buses was expressed by Godfrey Edwards of Los Angeles, member of the realty firm of Edwards & Wilkey, at last night's session of the City Council.

An opinion was expressed by Mr. Edwards that granting a franchise to the Pacific Electric to operate a bus along Kenneth road would not necessarily prevent the granting of a similar franchise to any other company. He reminded the Council that the Pacific Electric has the money available for a bus and inferred that this might not be the case with some of the other companies interested.

Fear of Competition

Councilman Dwight W. Stephenson acted as spokesman for the council and reported that it was very much interested in providing Kenneth road with bus transportation but wanted to make sure that it would be permanently satisfactory and adequate. He said that fear of competition undoubtedly had inspired the Pacific Electric Railway company to offer to install bus service. He suggested that the proposed routes now desired by this company might be "blinds" to make the State Railroad commission believe that it is adequately caring for the transportation needs of this community.

The matter was laid on the table.

Isadora Duncan Barred From U. S. Citizenship

WASHINGTON, March 9.—Isadora Duncan, the temperamental dancer whose recent outburst against American institutions and America aroused the ire of Secretary of Labor Davis, is no longer an American citizen, although born in this country, said an official statement put out by the labor department today.

When Miss Duncan married Serge Essenine, Russian poet, on April 1, 1922, according to the statement, she acquired Russian citizenship and probably will have difficulty in again becoming an American citizen if she desired to do so.

Missing Glendale Girls Are Sought by Police

LOS ANGELES, March 9.—A secret tip to the Los Angeles juvenile bureau that Dora Carter, 16, and Willie Braley, 17, two pretty Glendale girls, had eloped with two men caused officers to launch a state-wide search for the missing girls. The girls and their escorts were believed to be traveling toward San Francisco in a fast automobile.

Revision of Japanese Pacts Is China's Aim

TOKIO, March 9.—Abrogation or at least revision of the famous "twenty demands" is demanded in documents which a Chinese courier, arriving in Tokio next week, is bringing to the Chinese legation for presentation to the Japanese foreign office, according to belief becoming general in Tokio today.

Involved in these treaties is the rich Liaotung peninsula interests, including Port Arthur, which Japan has long promised she would fight.

\$5000 Heroin Shipment Seized in Police Raid

CHICAGO, March 9.—Heroin valued at \$5000 and four men were seized in a raid early today on two rooms of the downtown Morrison hotel. The drug was in a package bearing a Kansas City, Mo., postmark. Two of the prisoners described themselves as Max Ducey, 25, of 2449 Wabash avenue, Kansas City, and Max T. Blumenthal, 27, of Portland, Ore. The others said they lived in Chicago.

SELECT NEW DIRECTORS FOR LOCAL DUTIES

Name Officials at Annual Meeting and Banquet in First Methodist Church

The first annual meeting and banquet of the Glendale district of the Young Men's Christian Association, held last night at the First Methodist Episcopal church, was a pronounced success, in the unanimous opinion of the 200 people present.

In the past this work has been under state control but now Glendale is an independent district. In view of this fact, at last night's meeting, the following board of directors were chosen for the year, upon recommendation of the nominating committee: David Black, C. W. Ingledue, H. L. Finlay, J. S. Thompson, W. F. Tower, Park Arnold, T. E. McGuire and T. E. Stevenson.

Following the splendid dinner provided by the Ladies' Aid Society, under direction of Mrs. W. A. Saylor, an interesting program was given, David Black presiding.

Sing Old Songs

There was a service of the old, popular songs. The male quartet Episcopal church—Dr. C. R. Lusby, Dr. P. O. Lucas, Paul and Frank Butterfield—pleased the audience with a selection and an encore.

Dick Fisher and Fred Pitch, two boys active in the Hi-Y work, gave brief talks telling of the benefits they had received from the fellowship of the weekly gatherings and conferences.

George Bray, an intermediate boy from Burbank, spoke of the good times he had enjoyed in the hikes, drills and other activities.

J. F. Gosser, one of the leaders, told of the mutual helpfulness derived, of the benefits accruing to the boys, the leaders and the community.

Tribute to Leader

Dr. H. I. Rasmus paid a brief tribute to the leadership of Secretary Rex C. Kelley and the directors, urging the community to continue and enlarge their activities.

Dr. Rasmus then introduced William Wallace of Long Beach, a former parishioner and worker in the Y. M. C. A. and similar enterprises. In a few words Mr. Wallace expressed his deep interest in the work and his pleasure in being present.

He then introduced his pastor, the speaker of the evening, Dr. I. Frank Roach, pastor of the First Methodist Episcopal church of Long Beach. Dr. Roach is a newcomer to this state, being from Oklahoma City, where he was pastor of a large church.

Interest in Boys

"A Trip to Boyville" was the topic of Dr. Roach's address. It proved a thorough treat from start to finish.

"The secret of my great interest (Continued on Page 3)

CIRCULATION!
Glendale Evening News
6000 Daily Circulation
50 Carrier Boys
One Auto Truck
Three Automobiles
distribute the papers in
Glendale and vicinity

HEALTH OFFICER TALKS TO P.-T. A.

How to Keep Children Well Is Subject of Address at Eagle Rock

EAGLE ROCK, March 9.—The Central Parent-Teachers' association, of which Mrs. A. W. Harrison is president, held one of the most interesting meetings of the year, Wednesday afternoon, at the Central Avenue schoolhouse.

Dr. Carl Phinney, local health officer, gave an extremely interesting talk on "How to Keep Our Children Well." Miss Ellen Galpin charmed the many grown-ups and children with her wonderful dolls which could walk, talk and act. It is with much interest and expectation that the Parent-Teachers' association looks forward to Miss Galpin's coming again with her puppet theatre.

The musical program, furnished by the Eagle Rock children, was in charge of Mrs. A. C. Hamer. The following numbers were given: Arpeggio Waltz (Crawford), by Gracie Fay; Indian Love Song (Homer Grun) by Frances Baly; Tarentella, by Helen Ducker; Chromatique Waltz (Girard) by Mary Ducker; cello solo by Chas. Hamer, accompanied on the piano by Frances Baly.

Refreshments were served by Mesdames Hamer, Baly, Burnett, Bailey and Ellerson.

Start on Library

Ground was broken on Friday, March 2, for the new library at Occidental college, which is to be erected at a cost of over \$100,000. The donor of this magnificent structure wishes to remain unknown. It is erected as a memorial to Mrs. Mary E. Morton Clapp, wife of one of the trustees of Occidental college, E. T. Clapp. It will be one of the finest colleges in southern California and will be entirely adequate to the needs of the college. The general style will follow that of the other buildings. Actual construction began Monday morning.

Another gift to the college is that of the granite and bronze gateway, ground for which was broken yesterday. The donor is Wm. Mead Orr, of Alhambra.

Construction will begin at once. This gateway will cost about \$10,000, and will compare favorably with any gateway of eastern colleges.

Legion Minstrels

The American Legion minstrel show given last night at the Central Avenue schoolhouse will be repeated on Saturday at the same place. The minstrels are under the direction of Eddie Gamble, Joe, Arthur and Clarence Campbell, the latter being the accompanist. M. W. Bell was the interlocutor. The committee in charge of the show is E. M. Bergsvik, chairman; M. W. Bell, D. M. Hammond, Harold Jackman and T. W. Yutz. Program committee is W. W. Francisco and T. W. Yutz.

The program given was as follows:

Opening overture by entire company; "Yoo hoo," "Three o'clock in the Morning," and "I Love You, California," "Lovin' Sam," by Neal Sprinkle; "Foolish Questions," by Judge Cruzan; "Nobody," by D. M. Hammond; "Somebody Else," by Wm. Jones; "Laughing Song," by James Welsh; "Spanish Onion," by Arthur; "She's in the jail house now," by E. M. Bergsvik; and "Feats of the Feet," by George Brower. Ballads, "Tomorrow Will be Brighter Than Today," by Mr. Allen; "Swanee River Moon," Mr. Moffatt; "Sweet Sixteen," Mr. Leake; "On the Road to Mandalay," Mr. Radcliff; grand finale, entire company and chorus. Uncle Sam, L. E. Hammond, Soldier, T. M. Caine, Red Cross nurse, Miss Smith; Sailor, Wm. Jones. Comedy Juggling, by Eddie Gamble; "Ghosts in a Shop" a comedy in one act. Happy, a clerk, Joe Arthur, Kitty, also a clerk, and the host, Harold Jackman, the Boss, Eddie Gamble.

Boy Receivers

Kenneth A. Lewis, 9 year old ward of Dr. and Mrs. George H. MacNeil of 230 Fairmont avenue, who was seriously injured about a week ago, when he was struck by an auto, is almost entirely recovered from what seemed at the time very serious injuries. The scalp wound is healed, the fracture apparently is giving no permanent trouble and he is able to be out.

The meeting which was called for last Saturday, to organize a business and professional women's club, was postponed on account of the rain, to next Saturday evening March 10. The meeting will be held at the home of Mrs. Archibald Fiske, 203 North Castle avenue at 8:00 p. m. All women who are interested are urged to be present.

INCOME TAX RETURNS

Income tax returns and reports, Harry W. Chase, Room 1, Rudy Bldg.—Advertisement 23x

Subscription Order

This authorizes you to deliver The Glendale Evening News to my home (daily except Sunday) for a period of _____ Months _____ Years for which I agree to pay \$_____

Subscription Rates	Subscriber
1 year.....\$6.00	
6 months.....3.25	
3 months.....1.75	
2 months.....1.25	

Please hand above to neighbor who is not a present subscriber.

Address _____

OFFICIAL MINUTES OF COUNCIL

Following are the official minutes of the City Council which met in session at the city hall Thursday night.

Council assembled at 7:45 o'clock P. M. All members present. Reading of minutes of March 5th held over.

Opening of Bids

In accordance with call, bids were opened and publicly declared for the improvement of California Avenue, from the following bidders: E. L. Fleming; Cornwell & Henderson; Peter L. Ferry, Ducey & Breitenstein; W. J. Curran.

Bids were referred to the City Engineer for checking and report.

Tract Maps

Councilman Lapham introduced a Resolution entitled, "A resolution adopting map of Tract No. 6130 and accepting on behalf of the public, the avenues, streets, alleys and public places shown thereon," which was read, and on his motion seconded by Councilman Kimlin, the same was numbered Resolution No. 1842, and passed.

Bellehurst Tract

The matter of tentative approval of the Bellehurst Tract was presented for consideration. A large number of protestants were present asking that streets in this tract be laid out to conform with present thoroughfares. Mr. Leimert representing the tract company promised relief and map was so corrected. He further promised to hold certain lots, to be listed as A, B, and C, for dedication whenever the City desired same for street purposes, providing that connecting property also be dedicated.

Moved by Councilman Stephenson, seconded by Councilman Lapham, that tentative map of the Bellehurst Tract as corrected by the above, be accepted in conformity therewith.

Commercial District

On motion of Councilman Davis, hearing on petition to set aside as commercial district west side of Verdugo road Webasso way to Opechee way, was continued for one week.

Mariposa Street

This being the time set to receive protests against the change of grade on Mariposa street, clerk reported no protests received and there were no protestants present.

Improve Magnolia Avenue

On motion of Councilman Stephenson, petition signed by property owners asking that Magnolia Avenue between San Fernando road and Los Angeles street be paved with three-inch macadam and improved with water pipe, was referred to the city engineer and city attorney to draft the necessary proceedings.

Abate Parking

On motion of Councilman Kimlin, a protest against parking of cars all night in an alley, was referred to the chief of police for investigation.

Lot 47, Riverdale Tract

On motion of Councilman Stephenson, communication referring to bond issued as a whole against Lot 47, Riverdale Heights tract, was referred to the city attorney for opinion as to rights of Council.

Extension of Time

On motion of Councilman Lapham, Cornwell & Henderson were granted an extension of sixty days on their contract for the improvement of Palmer avenue.

Street Signs

On motion of Councilman Davis, request of the Chamber of Commerce for action in the matter of street signs, was referred to the city manager.

Eagle Glen Heights

On motion of Councilman Stephenson, seconded by Councilman Lapham, the J. Harvey McCarthy company were granted permission to improve streets in Eagle Glen Heights tract as per Specification No. 36, except that two-inch macadam be used in place of three inch.

Commercial District

Application of property-owners to set aside as commercial district, lot at the northwest corner of Harvard and Verdugo road, having been referred to the city manager, was returned with the recommendation that action be approved. On motion of Councilman Stephenson, city attorney was instructed to draft the necessary amendment.

City Manager recommended that an ordinance be drafted providing that all commercial districts hereafter established in residential districts be automatically classed in Fire District No. 2.

On motion of Councilman Kimlin, recommendation of city manager was approved and city attorney instructed to draft ordinance providing for same.

Petition signed by property owners requesting the council to take some action in removing a grading camp at 414 South Acacia avenue, was read and on motion of Councilman Stephenson, same was referred to city attorney for an opinion as to the powers of the council in the matter.

On motion of Councilman Stephenson, petition was referred to city manager and health official to investigate as to the sanitary conditions existing.

Bids for Pipe

Bids for pipe having been referred to the superintendent of

plant and production were returned with the recommendation that the bid of the American Cast Iron Pipe Company be accepted for the 4 and 8-inch pipe, and that the bid of the Pacific Pipe & Supply Company be accepted for the 6 and 12-inch pipe.

On motion of Councilman Davis, seconded by Councilman Lapham, the recommendation of the superintendent of plant and production was approved and the bid of the American Cast Iron Pipe Company for 4 and 8-inch pipe and the bid of the Pacific Pipe & Supply Company for 6 and 12-inch pipe was accepted and all other bids rejected.

Improve Glendale Avenue

On motion of Councilman Stephenson, seconded by Councilman Davis, City Engineer and City Attorney were instructed to draft the necessary proceedings for the improvement of Glendale avenue from San Fernando Road to Lexington Drive, with six-inch cement concrete.

Resolution Passed

On motion of Councilman Stephenson, seconded by Councilman Kimlin, the following resolution was adopted: Be it resolved by the Glendale City Council, following the precedent established by the United States government in similar cases, that it be the policy of this city in the hiring of city employees, other things being equal that the preference be given to honorably discharged American soldiers, sailors or marines.

Demand

On motion of Councilman Lapham, seconded by Councilman Davis, demand in the sum of \$25 was approved and ordered paid.

Amend Ordinance

On motion of Councilman Stephenson, seconded by Councilman Lapham, City Attorney was instructed to draw an amendment to ordinance presented calling a general municipal election by adding thereto a new section providing for the submitting to the qualified electors a proposition permitting the council to sell the American Legion for the sum of \$100, certain real property.

Ordinances Adopted

The ordinance entitled, "An ordinance amending Ordinance No. 573, passed May 17, 1922, and entitled 'An ordinance for licensing and regulating the carrying on of certain professions, trades, callings and occupations in the City of Glendale,' prescribing the penalty for violations of this ordinance and repealing ordinance 274, and all amendments thereof and repealing all other parts of ordinances in conflict herewith," by amending sections 45 and 49 thereof and by adding thereto two new sections to be numbered Section 48-A and Section 49-A," which was introduced on February 8th, 1923, was read and on motion of Councilman Kimlin, seconded by Councilman Lapham, said ordinance was passed and numbered Ordinance No. 757.

The ordinance entitled, "An ordinance of the Council of the City of Glendale ordering the opening and widening of Fifth street in said city," which was introduced on March 1st, 1923, was read and on motion of Councilman Lapham, seconded by Councilman Davis, said ordinance was passed and numbered Ordinance No. 758.

The ordinance entitled, "An ordinance amending ordinance No. 201, passed April 26, 1923, and entitled, 'An ordinance of the City of Glendale regulating the construction, alteration, repair, moving and demolition of buildings and other structures dangerous to life or property; and providing for the violation thereof and repealing ordinance No. 42 and all other ordinances in conflict therewith,' by adding thereto a new section to be numbered Section 5-D providing for fire District No. 2-L," which was introduced on March 1st, 1923, was read and on motion of Councilman Davis, seconded by Councilman Stephenson, said ordinance was passed and numbered Ordinance No. 759.

The ordinance entitled, "An ordinance authorizing the sale of certain real estate owned by the City of Glendale to Emma C. Smalley, John M. Smalley, Clement D. Cox and Leona H. Cox," which was introduced on March 1st, 1923, was read and on motion of Councilman Kimlin, seconded by Councilman Stephenson, said ordinance was passed and numbered 760.

The ordinance entitled, "An ordinance amending Ordinance No. 529, passed January 12, 1922, and entitled 'An ordinance of the City of Glendale establishing a residential district, an industrial district, and four commercial districts in said city; regulating and restricting the location and locations of and the maintenance and carrying on of industries, trades and businesses in said city; providing for a residential, industrial and commercial district map of said city; prescribing the penalties for the violation hereof; and repealing certain ordinances,' by adding thereto a new section to be numbered 4n," which was introduced on March 1st, 1923, was read and on motion of Councilman Lapham, seconded by Councilman Kimlin, said ordinance was passed and numbered Ordinance No. 761.

The ordinance entitled, "An ordinance extending the time for commencing an action to condemn the land necessary for the laying out and opening of Harvard street in the City of Glendale as contemplated by Ordinance No. 629 of said city," which was introduced on March 1st, 1923, was read and on motion of Councilman Stephenson, seconded by Councilman Lapham, said ordinance was passed and numbered Ordinance No. 762."

Ordinance Offered

Councilman Kimlin, introduced an ordinance entitled "An ordinance ordering the holding of a general Municipal Election on Tuesday, April 10, 1923, in the City of Glendale, and providing for the participation of qualified electors of Glendale city school district residing in territory outside the city of Glendale in election of members of the Board of Education," which was read and laid on the table.

Resolution Adopted

Councilman Lapham introduced a resolution entitled, "A resolution of the Council of the city of Glendale adopting certain plans,

Atwater Park Will Soon Have Church

Judge Harry Chase and Mr. and Mrs. V. L. Lammers represented the First Baptist church at a meeting this week in Los Angeles of the Los Angeles Baptist City Mission society, under the directorship of Rev. J. B. Fox. The society has purchased property at Perlita avenue and Thiburn street, Atwater Park, where a church will be built at a cost of over \$10,000. Temporary services are being held in a tent.

Reynolds & Eberle
Undertakers
118 N. Castle Ave.
Eagle Rock City
Ph. Garanza 2772
Ambulance Service

Eagle Rock Electronic Institute
Abrams Method of Blood Diagnosis and Treatment
DR. WEDDELL in Charge
151 South College View Avenue
Phone Gar. 1033

Glendale Evening News
Entered as second-class matter January 12, 1922 at the postoffice at Glendale, Calif., under act of congress of March 3, 1879. Published daily except Sunday.

Purchase and 3000 PAIRS Sale!

\$4, \$5, \$6 & \$7 FOOTWEAR FOR MEN & WOMEN

Another Demonstration of Our Purchasing Power and Our Ability to Always Undersell

—Black Kid Beaded Strap Slippers, or Plain Kid with low or high heels; Oxfords in Sport Styles or Plain Kid in brown or black; Strap Slippers in endless variety—a big assortment to choose from—

TWO DOLLARS AND EIGHTY-FIVE CENTS A PAIR

BIG FOUR-DAY SPECIALS

 Ladies' Black Satin Slippers—Either in French or baby French heels. Special for this sale. \$2.85	 Men's Black Kid Oxfords—Good-year welt; rubber heel. Special. \$2.85	 Misses' High Lace Shoes—Patent vamp with grey top. Special. \$2.85	 Boys' Black and Brown Calf; English Last. Specially priced for this sale. \$2.85
 Ladies' Patent Colonials—Brocade quarter. Special for..... \$2.85	 Men's Tan or Smoked Elk Work Shoes—A wonderful buy for..... \$2.85	 Ladies' Black Kid One-Strap—Beaded toe; \$7 value; all sizes..... \$2.85	 Ladies' Brown Kid Oxfords—Good-year welt, Cuban rubber heels. Special for this sale..... \$2.85

KAFATERIA SHOE STORE Open Saturday Evenings Until 9 o'Clock

126 NORTH BRAND BOULEVARD
The Fastest Growing Firm in California—"There's a Reason"

profiles and diagrams on file in the office of the city engineer of the city of Glendale," which was read and on his motion seconded by Councilman Kimlin, the same was numbered Resolution No. 1842, and passed.

Councilman Davis introduced a resolution entitled, "A resolution of the Council of the city of Glendale declaring its intention to improve Dixon street and Lafayette street and portions of Colorado street, Lincoln avenue and Verdugo road and of certain streets and alleys intersecting and terminating therewith in the city of Glendale and describing the district to be assessed to pay the costs and expenses of said improvement, and providing for the payment of same," which was read and on his motion seconded by Councilman Stephenson, the same was numbered Resolution No. 1844, and passed.

Councilman Kimlin introduced a resolution entitled, "A resolution of the Council of the city of Glendale declaring its intention to close up, vacate and abandon for street purposes a portion of Acacia avenue describing herein, and specifying the exterior boundaries of the district affected thereby," which was read and on his motion seconded by Councilman Stephenson, the same was numbered Resolution No. 1845, and passed.

The Birthplace of SERVICE

Most persons are so intent on looking ahead—planning ahead, forging ahead—that they seldom take the time to look backward for a little while, to note the results of their progress as measured by the community in which they live. Yet there are few pastimes so fascinating as a glance into the past; it brings a glow of pride in the present, a feeling of confidence in the future, that in themselves are most gratifying to any citizen of any town. This is particularly true of Glendalians who may look back on ten years of progress, such as is seldom witnessed in any city's history.

It was during this period of Glendale's infancy that the partnership of Roberts & Echols was founded, by Fred H. Roberts and Frank Echols—who embarked in the drug business, believing that there was an excellent opportunity for a drug store in Glendale that would give its patrons an unusual Service.

That this dream has been more than realized is proved by the fact that the Roberts & Echols Drug Store has grown with Glendale—and in point of volume of business ranks among the leading independent drug concerns in Southern California—and, in order to make room for further expansion and improvements, the Security Trust & Savings Bank building, at the southeast corner of Brand and Broadway has just been purchased.

As a patron of the store expressed it, "Your store was 'The Birthplace of Service'—and the Service which has built the business to its present proportions—will be continued—and, if possible, improved upon in the future.

**FRED H. ROBERTS.
FRANK ECHOLS.**

ROBERTS and ECHOLS Drug Store

"The Birthplace of Service"

WE DELIVER
Phone Glendale 195
GLENDALE

Bridegroom-to-Be Is Ill; Postpone Wedding

The wedding of Miss Edith Schuyler and Herb Brown, which was to have taken place tonight at the home of Miss Schuyler's parents, Mr. and Mrs. E. L. Schuyler at 330 West Ivy street, has been indefinitely postponed because of the illness of Mr. Brown at his home in Los Angeles.

Over seventy invitations have been issued for the wedding, which will take place probably this coming week.

Schools for the blind were unknown in this country before 1830.

INSURANCE

Fifteen A-1 Good Companies
INDEPENDENT
LOWEST RATES
Fire, Auto, Compensation,
Earthquake, Plate Glass
and Burglar Insurance
H. L. MILLER CO.
100 So. Brand Glen. 853

SMOKERS!
ATTENTION!

Your choice of these
15c tobaccos, Serene
Mixture, Tuxedo, Edgeworth
and Lucky Strike, and an
Italian Briar Pipe, \$1.00,
also
2 pkgs. of Pipe Cleaners
all for
98c
at
Spohr's Drug
Store
Broadway and Brand
Glen. 123
United Cigar Agency

DR. WM. C. MABRY

Announces to his friends
and patrons that he has
found it desirable to devote
his entire time to Glendale.
He has established offices at
206 SOUTH BRAND BLVD.
ROOMS 17-19 MONARCH
BUILDING
and as heretofore he will
confine his practice to general
diagnosis and medical
treatment.
Hours, 1:30 to 5 p. m.
Telephone Glendale 422.
Residence, 115 East Acacia
Ave. Telephone Glen. 270.

YES

the tonsils can nearly always
be saved by Chiropractic
Adjustments. The human body
was created so perfectly that
not a single unnecessary organ
or part was given to us.
The tonsils have definite
work to do and befriend you
at all times.
By all means use every
effort to save them.
—Let us explain to you
how

CHIROPRACTIC
ADJUSTMENTS

remove the cause of tonsillitis
and strengthen them to
carry on their work.
Consultation and Analysis
FREE
Bring all your health
troubles to
THE EBLE
CHIROPRACTORS
226 S. Louise. Tel. Gl. 26-W
Opposite High School
Private Rest Rooms, X-Ray
Laboratory

JOSEPHINE DES MAZES

(Pronounced De Moz)
HATS
REMODELING A
SPECIALTY
213 E. Broadway
Court Shop No. 2

GLENDALE RAPID
TRANSIT CO.

200 W. Broadway
SPECIAL ATTENTION GIVEN
TO BAGGAGE AND ALL
LIGHT HAULING
CHAS. E. McNARY
Ph. Gl. 67 Night, Gl. 326-W

Dr. Warren Z. Newton

EYE STRAIN SPECIALIST
OPTOMETRIST
Optical Department With
Arthur H. Dibbern
121 NORTH BRAND BLVD.

MARCELLA WEBB

TEACHER OF ARTISTIC DANCING
Specializes in Russian and Italian
Ballet, also Classical, Oriental, Spanish,
Slavic.
PERLEUR DANSE STUDIO
140 N. Brand Boulevard
Wednesdays and Saturdays, Phone
Glendale 384-J

Clarinet and Saxophone
Lessons

Beginners and Advanced Pupils
ALBERTA F. ROLLINS
180 West Acacia

Personal Mention

Mrs. T. G. Love was the
luncheon guest Thursday of Mrs.
Carver at her home in Los Angeles.

Mrs. Walter Jones of 430 Vine
street will entertain several of
her friends Wednesday with a
luncheon.

Miss Louise Hall, daughter of
Mr. and Mrs. F. G. Hall of 1201
Viola avenue is quite ill at her
home with grip.

Miss Clara Lauderdale of 334
West Doran street was the dinner
guest Wednesday evening of
friends in Los Angeles.

Mr. and Mrs. T. G. Love of 330
West Elk street entertained at a
luncheon recently Mrs. Clara Watt
and Mr. Fry of Long Beach.

Mrs. R. L. Holland of 518 Ken-
neth Road entertained some Los
Angeles friends Thursday with a
luncheon at the Sunset Canyon
Country club.

Mr. and Mrs. D. D. Horning of
519 East Windsor road entertain-
ed as their overnight guest
last evening, Mrs. E. H. Amet of
Redondo Beach.

Rev. and Mrs. Derr of Michigan,
who have been wintering at Long
Beach and also visiting with Mrs.
Mary Boettler at 313 West Broad-
way, left for their home Wednes-
day.

Mr. and Mrs. F. W. Harper have
recently moved from 508 Fairmont
avenue and are now living in
La Crescenta. Mr. and Mrs. C. N.
Elder are now residing at the Har-
pers' old residence.

Mr. and Mrs. George Herald of
118 West Windsor Road, and Mr.
and Mrs. William Crawford of 800
South Central avenue made up a
theatre party to "Robin Hood in
Hollywood," on Tuesday evening.

Mr. and Mrs. William Hunter and
family of 107 East Lomita
avenue and their house guests,
Mrs. H. E. Vale of Long Beach,
will be the dinner guests Sunday
of Mrs. M. E. Hunter of Los An-
geles.

Mr. and Mrs. I. L. Bullock of
517 West Park avenue will at-
tend the recital given by Carl
Bronson at the Gamut club this
evening. Mrs. Bullock is study-
ing voice under Mr. Bronson's di-
rection.

Mr. and Mrs. W. E. Halstead of
210 West Windsor Road, entertain-
ed as dinner guests last evening,
Mrs. Josephine Morrow of
Houston, Tex., Mrs. R. C. Shromer
of Milwaukee and Dr. J. B. Leg-
nard of San Diego.

Mrs. John J. Fraser of 350 Riv-
erdale drive and Mrs. D. McCon-
nell of 400 West Maple street
went to Los Angeles today to at-
tend a 1 o'clock luncheon given
by Mrs. C. C. Douglas of Holly-
wood at a large tea room.

Mrs. J. H. Yerkes of North Col-
umbus avenue returned Wednes-
day from Seattle where she spent
the past two months visiting with
her parents, Mr. and Mrs. Alonzo
Yates. Mrs. Yerkes was formerly
Miss Marjorie Yates of Seattle.

Mrs. W. W. Hall of 331 West
Patterson avenue is having the
pleasure of entertaining her aunt,
Mrs. C. O. Dukes of Denver, Mrs.
Nora Ledger, sister of Mrs. Hall,
and Mrs. Dukes leave for San Di-
ego tomorrow for several days'
visit.

Mrs. A. M. Beamon of 203
North Maryland avenue, who has
been ill for some time, suffering
from a nervous breakdown, left
yesterday afternoon for Tujunga
for a complete rest. She will
spend several weeks there at her
cottage.

Mrs. Jack Lundregan of 308
East Maple avenue and her niece
and nephew, Mr. and Mrs. Ralph
Garretson of Long Beach left to-
day by motor for Santa Paula
where they will spend the week-
end as guests of Jack Lundregan
at his camp in the oil district.

Mrs. Edith M. Burbach and
daughter, Marion, who have been
visiting for several weeks, Mr.
and Mrs. A. R. Hildreth, of 217 West
Milford street, will leave Satur-
day for Los Angeles where they
will occupy their own home. Mrs.
Burbach and Mrs. Hildreth are
sisters.

Mrs. Robert Abarto and two
children, Robert and Jean of San
Francisco, arrived Monday, making
the trip down by motor, and are
guests of her mother, Mrs.
Elizabeth M. Tummel of 1504
South Brand boulevard. Mrs.
Abarto will be remembered as Miss
Myrtle Tummel.

Mr. and Mrs. H. A. Wilson, Dr.
and Mrs. C. R. Lusby, Mr. and
Mrs. R. H. Hamilton, all of Glen-
dale, and Mr. and Mrs. J. A.
Grimm of Minneapolis, motored to
Camp Baldy yesterday, where they
had a picnic dinner in the snow.
Mr. and Mrs. Grimm are wintering
in Glendale.

Mr. and Mrs. Dana Burket of
El Segundo were guests during
the first part of the week at the
home of Mr. Burket's mother, Mrs.
Emma Burket of 516 East Har-
vard street. Mr. Burket, who is a
former Glendale resident, is em-
ployed by the Standard Oil com-
pany in El Segundo.

Miss Elizabeth Orchard of Red-
ondo Beach was the dinner guest
Thursday evening of Mrs. R. F.
Kolls of 406 East California ave-
nue. The two young women were
formerly associated together as
members of the faculty of the Red-
ondo union high school, where
Miss Orchard is now teaching.

INCOME TAX RETURNS
Assistance rendered in prepar-
ing Income Tax Returns. James
P. McCreedy and Eugene J. Witt,
111 E. Broadway, Rm. 2 Central
Bldg.—Advertisement, 12

SOCIAL EVENT

Manse Ceremony
Rev. W. E. Edmonds, pastor of
the Glendale Presbyterian church,
officiated Wednesday morning,
March 7, 1923, at the marriage of
Miss Alma M. Geiger of 627 N.
Central avenue and George Harris
Phelps of Hollywood. The cere-
mony took place at 10 o'clock at
the Presbyterian manse at 121
South Cedar street. The young
couple were unattended, witnesses
for the wedding being neighbors
living near the manse.

Miss Geiger announced her en-
gagement to Mr. Phelps two weeks
ago at a Sunday evening dinner at
her home. At that time no an-
nouncement of the wedding date
was made but rumors have pre-
dicted that the affair would be a
quiet, surprise event.

Immediately after the wedding
Mr. and Mrs. Phelps left for a
short trip. No announcement has
been made with regard to their
future home.

Mrs. Phelps is well known in
Glendale and Los Angeles as a
talented pianist and music teach-
er. Mr. Phelps is an accomplished
musician and is associated with
the Kirkpatrick syndicate.

Women Are Guests
Mrs. Paul A. Hoffman was
hostess Wednesday afternoon at
her home at 327 North Maryland
avenue, to members and guests of
the women's missionary society of
the First Lutheran church.

Mrs. Henry Coleman was in
charge of the program and intro-
duced as speakers Miss Mabel
Dysinger and Laura Gilliland, mis-
sionaries from the Lutheran Mis-
sion school in Liberia, Africa, who
told of the people of Africa, their
customs and traditions and the
work of the mission school.

During the afternoon Mrs.
Fred Bowman entertained with a
whistling solo, "The Holy City."
Later, Mrs. Coleman presided at
the tea table, assisted by Mrs. A.
J. Esterly. A special feature was
a white and yellow birthday cake
presented to Miss Dysinger in ce-
lebration of her birthday on Thurs-
day.

Meet at Church
Baptist church women enjoyed
their regular all day meeting at
the church yesterday. They met
at 10 o'clock in the morning and
spent the time until noon sewing.

Mrs. P. L. Hatch and women of
district No. 6 were in charge of the
noon luncheon.

During the missionary meeting
in the afternoon the following of-
ficers were elected: Mrs. Park
Arnold, president; Mrs. Arthur
Sisley, first vice president; Mrs.
Mary E. Moore, second vice pres-
ident in charge of Mrs. J. L. Moody, chair-
man and members of the Berean
class; Mrs. Emma Sudlow, third
vice president and chairman of the
social committee; Mrs. Katherine
Rowe, secretary; Mrs. Gibbs,
treasurer.

A short program was presented,
Mrs. Jennie Duxsee reading two
poems by Paul Lawrence Dunbar.

St. Mark's Guild
There were thirty-five St.
Mark's Episcopal church women
in attendance yesterday afternoon
at the Guild meeting following the
regular business luncheon in the
Guild hall.

Mrs. A. A. Bassett, president,
directed the meeting, at which two
new members were received. After
the devotional hour final plans
were made for a food sale to be
held at 10 o'clock tomorrow morn-
ing at the Gregg hardware store.
At this sale and at the coming
business luncheons until Easter,
Mrs. F. S. Card is to have on dis-
play and for sale a collection of
gifts for Easter.

Mrs. Charles Brown is to assist
Mrs. Frank England with the busi-
ness lunch next week.

Birthday Party
Mr. and Mrs. A. Lamont of 330
El Bonita avenue entertained last
evening with a birthday surprise
party for Mrs. Annie Eckert of
21 West Eulalia avenue.

During the evening music and
dancing was enjoyed. Leonard
Lamont sang several numbers, ac-
companied on the piano by Mrs.
Dewey Fox. Later in the even-
ing refreshments were served
by the hostess.

Those present were Mrs. An-
nie Eckert, Mr. and Mrs. Dewey
Fox, Mr. and Mrs. Raymond and
Harry Eckert, Mrs. Bateman and
son Robert, Misses Victoria and
Gladys Lamont, Mrs. Hussey,
Leonard Lamont and the host
and hostess, Mr. and Mrs. A. La-
mont.

Another Benefit
Mrs. Lillian E. Dow, 650 North
Kenwood street, entertained yester-
day afternoon with a Five-Hun-
dred party for the benefit of the
Tuesday Afternoon Club. This
was the last of a series of parties
given by the linen committee for
supplying the new club house with
linen.

Mrs. F. R. Gartley won high
score. Those playing were Mes-
sames Nathan Rigdon, Herbert
Toot, F. B. Garmy, Mrs. T. C.
Parker, T. Wood, H. E. Clough,
E. S. Gilliland, Homer Lockwood,
W. H. Boothby, E. S. Roake and
Mrs. Scott.

Hostess at Tea
Mrs. I. S. Brown of 339 Myrtle
street, entertained yesterday after-
noon a number of her friends
at tea.

The rooms were decorated with
a profusion of pink sweet peas
and roses. Those present were
Mrs. Smith, MacGarity, Mrs. T.
Beach, Mrs. Percy MacIntyre,
Mrs. Gilbert Leisig, Mrs. Sey-
mour Smith, Mrs. Vincent Salma-
cia, Mrs. Sidney Simon, Miss
Laura Wilford Brown, Mrs. Mil-
ler Fisher, Mrs. Harry Heber and
Mrs. Dana Burket.

Gordon's

LADIES' AND CHILDREN'S FURNISHINGS
119 NORTH BRAND

New Sweaters

The past week the Express has brought many very
interesting clever styles of Women's and Misses
Sweaters. Models are different. Including Slip-
Overs, Jacquettes, Mannish Golf Coats and Tuxedos.
Yarns used are Brush Wools, Mohairs, Angora,
Wogsteads, Silk and Wool Mixtures, Fiber Silks and
Pure Orgazine Silk.

Misses' Sweaters priced from \$1.95 up
Women's Wool Sweaters, priced from \$2.25 up
Women's Fibre Silks priced from \$3.75 up
Women's Silk Sweaters priced from \$22.50 up

SATURDAY IS ALWAYS

Hosiery and Underwear Day Here

Just Received a Very Beautiful Assortment of
Children's Half and Three-Quarter Length Sox

Plain Colors and White and Colors with Fancy Tops to match all the new Tub Dress
Colors, also the New Buck and Elk Shades to match Shoes
The Half Sox are priced 25c, 35c, 45c, 50c and up to \$1.25 pair
The Three-quarter length Sox are priced 35c to \$1.25 per pair

EXTRA SPECIAL

Women's Silk and Lisle English Derby Ribbed Sport Hose.

Special Assortment of new color combinations, \$1.00 per pair
Women's Pure Silk Hose and Fiber and Silk Hose
Colors, black, cordovan, beige, greys, white.

Hose that wears, special value at \$1.00 per pair

Buying for Cash and Selling for Cash Enables Us to Always
Give Best Values

CITY REFLECTED
IN MUSIC STORE

Salmaeia Bros. Keep Pace
With Glendale's Growth
For Seven Years

Just as the city of Glendale has
grown from a town into a modern
city, so the business of Salmaeia
brothers of the Glendale Music
Company has developed during the
seven years of its existence from a
small business carrying only a
small line of phonographs, into
one of the finest and most up-to-
date music stores in southern
California.

Salmaeia brothers, while young
men, may be said to be among the
pioneers of Glendale business
firms. From the first they were
brought to their business a fore-
sight and acumen unusual in
young men, and they have shown
the spirit that means success, the
spirit that means keeping ever-
lastingly on the job, keeping up to
the times.

Progress never left the Salma-
cia brothers in the rear. What-
ever was accessory to the very
latest in their line, they lost no
time in attaining. The best makes
of all kinds of musical instruments,
the latest records, the most lux-
urious and comfortable surround-
ings for their patrons, the most
up-to-date equipment for their
stores. The very latest ideas in
music, musical instruments and a
music store have always been
available to the patrons of the
Glendale Music Company.

Brings Success
This policy of keeping a little
ahead of the times has cost money,
but it has proved good advertising
and brought success. And it is
business firms such as the Glen-
dale Music Company that have
given Glendale prestige. A city
is known by its stores and such
firms as the Glendale Music Com-
pany and such progressive young
business men as Salmaeia brothers
have helped not a little to give
Glendale her good name as a city
of homes and her reputation as a
good trading center.

This firm has contributed in
many other ways, too, to the
pleasure and the good of Glendale.
They have always been ready to
furnish instruments for public en-
tertainments and they have often
done so at considerable trouble
and expense to themselves.

Glendale people can well afford
to patronize a firm that has done
so much for Glendale and helped
to bring the business life of Glen-
dale to such a high plane.

Do your shopping in Glendale.

We now have a big assortment of the famous Ken-
wood all wool Blankets, absolutely fast colors; guaran-
teed for fifty years.

Saturday Specials

IRISH LINEN STORE

44-in. Indianhead. Your choice of either linen finish or
soft finish; very special at 35c
per yard
22x90 fine count, standard quality Sheets, \$1.60
at \$1x90 fine count, standard quality Sheets, \$1.70
at \$1x99 fine count, standard quality Sheets, \$1.80
at
Fine quality Pillow Cases, 75c
per pair
Plain white and colored bordered Turkish
Towels at 25c
17x34 Colored Turkish Towels at 43c
18x36 Colored Turkish Towels, 49c
at
22x4 Extra Heavy Turkish Bath Towels, 59c
special at
See our display of 36-in. Kensington Cretonnes, in very
desirable patterns. A most excellent value, at
per yard 69c

The Irish Linen Store

"The Store of Dependable Merchandise"
117 N. Brand Blvd. Glendale
W. L. MOORE W. G. LAUDERDALE



Misses' Sweaters priced from \$1.95 up
Women's Wool Sweaters, priced from \$2.25 up
Women's Fibre Silks priced from \$3.75 up
Women's Silk Sweaters priced from \$22.50 up

SATURDAY IS ALWAYS

Hosiery and Underwear Day Here

Just Received a Very Beautiful Assortment of
Children's Half and Three-Quarter Length Sox

Plain Colors and White and Colors with Fancy Tops to match all the new Tub Dress
Colors, also the New Buck and Elk Shades to match Shoes
The Half Sox are priced 25c, 35c, 45c, 50c and up to \$1.25 pair
The Three-quarter length Sox are priced 35c to \$1.25 per pair

EXTRA SPECIAL

Women's Silk and Lisle English Derby Ribbed Sport Hose.

Special Assortment of new color combinations, \$1.00 per pair
Women's Pure Silk Hose and Fiber and Silk Hose
Colors, black, cordovan, beige, greys, white.

Hose that wears, special value at \$1.00 per pair

Buying for Cash and Selling for Cash Enables Us to Always
Give Best Values

CITY REFLECTED
IN MUSIC STORE

Salmaeia Bros. Keep Pace
With Glendale's Growth
For Seven Years

Just as the city of Glendale has
grown from a town into a modern
city, so the business of Salmaeia
brothers of the Glendale Music
Company has developed during the
seven years of its existence from a
small business carrying only a
small line of phonographs, into
one of the finest and most up-to-
date music stores in southern
California.

Salmaeia brothers, while young
men, may be said to be among the
pioneers of Glendale business
firms. From the first they were
brought to their business a fore-
sight and acumen unusual in
young men, and they have shown
the spirit that means success, the
spirit that means keeping ever-
lastingly on the job, keeping up to
the times.

Progress never left the Salma-
cia brothers in the rear. What-
ever was accessory to the very
latest in their line, they lost no
time in attaining. The best makes
of all kinds of musical instruments,
the latest records, the most lux-
urious and comfortable surround-
ings for their patrons, the most
up-to-date equipment for their
stores. The very latest ideas in
music, musical instruments and a
music store have always been
available to the patrons of the
Glendale Music Company.

Brings Success
This policy of keeping a little
ahead of the times has cost money,
but it has proved good advertising
and brought success. And it is
business firms such as the Glen-
dale Music Company that have
given Glendale prestige. A city
is known by its stores and such
firms as the Glendale Music Com-
pany and such progressive young
business men as Salmaeia brothers
have helped not a little to give
Glendale her good name as a city
of homes and her reputation as a
good trading center.

This firm has contributed in
many other ways, too, to the
pleasure and the good of Glendale.
They have always been ready to
furnish instruments for public en-
tertainments and they have often
done so at considerable trouble
and expense to themselves.

Glendale people can well afford
to patronize a firm that has done
so much for Glendale and helped
to bring the business life of Glen-
dale to such a high plane.

Do your shopping in Glendale.

We now have a big assortment of the famous Ken-
wood all wool Blankets, absolutely fast colors; guaran-
teed for fifty years.

Saturday Specials

IRISH LINEN STORE

44-in. Indianhead. Your choice of either linen finish or
soft finish; very special at 35c
per yard
22x90 fine count, standard quality Sheets, \$1.60
at \$1x90 fine count, standard quality Sheets, \$1.70
at \$1x99 fine count, standard quality Sheets, \$1.80
at
Fine quality Pillow Cases, 75c
per pair
Plain white and colored bordered Turkish
Towels at 25c
17x34 Colored Turkish Towels at 43c
18x36 Colored Turkish Towels, 49c
at
22x4 Extra Heavy Turkish Bath Towels, 59c
special at
See our display of 36-in. Kensington Cretonnes, in very
desirable patterns. A most excellent value, at
per yard 69c

The Irish Linen Store

"The Store of Dependable Merchandise"
117 N. Brand Blvd. Glendale
W. L. MOORE W. G. LAUDERDALE

STATE REUNIONS FOR EASTERNERS

Four States to Celebrate State Picnics in Next Two Weeks

One of the real pleasures for former residents of mid-western and eastern states now living in California is the state reunion affairs, and during this week and next there are to be four gatherings for former New Jersey, Nebraska, Pennsylvania and Michigan residents. Glendale claims representatives from all these states and the city will doubtless send delegates to all four gatherings.

Tonight former Nebraskans are to enjoy their final indoor social in the Music Art hall at 233 South Broadway in Los Angeles. Former New Jersey folks are to meet tonight also, enjoying a program and dance at the Angelus hotel hall at Spring and Fourth streets, Los Angeles.

Pennsylvanians are to gather tomorrow for an all day reunion picnic in Sycamore Grove park, Los Angeles.

The Michiganers' gathering is also a mammoth picnic reunion

ACTOR HURT AS CAR TURNS OVER

Movie Stunt May Be Fatal to Victim of Wreck of Racing Car

Are "movie" stunts dangerous? Dick Chamberlain of 1856 Vista Del Mar drive, Hollywood, is now reported to be in a critical condition at the Glendale Research Hospital.

While taking part in a Century Comedy which was being enacted near Burbank, the racing car, in which he was riding, turned over. He received internal injury. He was rushed to the local hospital at once and an emergency operation performed at midnight.

BRIGAND

Brigand, the name, was first given during the imprisonment of King John in Paris in 1358 to the mercenaries who held the city.

Origin of Puss in Boots, the nursery tale, is believed to have been Buddhist.

Saturday, March 17, in Sycamore Grove park, Los Angeles.

News Notes From Valley Towns

The Glendale & Montrose Railway Company is reported to be gathering statistics relative to the extension of its line to Tujunga.

H. M. Dranger is planning the construction of a two story business building in Montrose.

Tujunga is to have a moving picture theatre. Jules Peronne and his son, Ralph Peronne, residents of this community, have purchased a 30 foot lot on Sunset boulevard and are now supervising the construction of a theatre. The building will be twenty-six by ninety feet in size and will seat 300 people. The stage will be twelve by twenty-six feet in size so that it can be used for entertainments. The present structure will be of wood with a stucco front but the walls are being set in two feet on each side of their lot so that a permanent brick building can be built around them.

The Crescenta School District will hold a school bond election for \$45,000 March 30 to extend the school system.

Montrose is to have a three room school, if these bonds carry, as the school board has closed options on a site there, already.

Burbank building permits last month totalled \$170,405 which made February one of the biggest months in the history of the community.

The Salvation Army Band of Los Angeles, which consists of thirty pieces, Wednesday night will give a concert in the Burbank High School.

P. W. Tonneson is reported to be one of the most avoided men in the Burbank district. He is a deputy tax assessor.

Marjorie Jean Thompson, small daughter of C. A. Thompson of Burbank, has scarlet fever.

Mrs. W. L. Shultz has pneumonia at her home in Roscoe.

Mr. and Mrs. Walter Anglin expect to build soon in Roscoe.

Harry B. Watson of Burbank is suffering with broken ribs which he received while horseback riding two weeks ago on Catalina Island.

Thomas Salvason of Burbank is now spending a month at Petersburg, Illinois.

The Burbank Woman's Club recently heard an address by Mrs. Margaret Yale on the subject of the Community Property Law. "As the law now stands in this state," she remarked, "the Supreme Court of California has held that, if the husband dies, his half of the property goes to his heirs, and that the wife cannot will one dollar of the community property even to her children and that every dollar a wife earns belongs to her husband. A community property bill drawn and adopted by the California Bar Association and endorsed by the

executive board of California Federation of Women's Clubs will be submitted to the 1923 legislature. This will give the wife the right to will her half of the community property and if the husband or wife dies without a will the entire community property will pass to the survivor."

W. E. Webb is building a seven room residence in Burbank.

Contractor S. S. Smith, who recently arrived in Burbank from Tennessee, is now building a residence.

Mr. and Mrs. A. O. Spear of Burbank have moved to their new home at 933 Olive street.

Dr. J. C. Augustine of Bavarria, Illinois, is visiting in Burbank.

Austin Warner of Ogden, Utah, is the guest of his sister, Mrs. William Van Horn of Burbank.

Mr. and Mrs. J. J. Stumbo, who moved from Escondido to Burbank, recently are now living at 925 Olive avenue.

J. H. Kiddoo of Burbank was called to Oswego, Kansas, recently because of the death of his brother.

Miss Emma Hickman is now visiting in Long Beach.

Mr. and Mrs. John Reimers of 926 Olive avenue, Burbank, are now living in their new home.

Mr. and Mrs. C. G. Anders of Burbank have laid the foundation for a six room bungalow.

Mr. and Mrs. S. H. Nottley of Burbank are planning a new home.

Van Nuys citizens are looking forward to the completion of the paving of Van Owen street from Sherman way to a point west of Fulton avenue. It is reported by the George H. Curtis Paving Company of Los Angeles that the street will be ready for traffic about the first of April. Realtors believe that the improved street will have a favorable effect upon the sale of property in its vicinity.

Funeral services were held in Van Nuys Tuesday, March 6, 1923, in the Baptist church, for Miss Anna Scarborough. She was a bookkeeper of the Fernando Valley Feed & Fuel Company, and had been ill only one week.

"The Brownie Band" is the title of a fantasy being presented this afternoon at 2:30 and tonight at 8 o'clock in the Van Nuys Grammar school.

The Van Nuys Electric Company's family was entertained Friday night at the home of Mr. and Mrs. H. A. Bell. Those present were Mr. and Mrs. R. J. Brown, Mr. and Mrs. G. E. Shel-drake, R. H. Kemley, Paul Ley, Virgil Bailey and Alfred Gunn.

Plans for the annual banquet of the Van Nuys post of the American Legion, which is to be held this month, were discussed Wednesday night. The ladies' auxiliary furnished refreshments following the business session.

Guests from Los Angeles and Van Nuys Friday night attended the dinner party of Mr. and Mrs. Arthur Schelling.

Van Nuys is reported to be quite re-inforced by concrete which was dedicated Saturday for the Allington Motor Company. A program for the occasion had been arranged by Mrs. George H. Wetzstein. It included solos by Mrs. Robert J. Baird, Miss Grace Potter Graham, Mrs. N. T. Stiff, Victor Obeji and S. Waterfield; readings by Miss Marian Graf and Miss Hazel Penny; a duet by Mrs. Robert J. Baird and Mrs. N. T. Stiff; a violin solo by Mrs. B. Fullerton, and several selections by a male quartet.

The Uni-tiller, a new farming machine about to be put on the market by the Ford Motor Car Company, was staged Saturday in Van Nuys. This is so constructed that either a two-bottom or three-bottom plow, spring tooth harrow, or an orchard cultivator may be attached. A drawbar makes possible the adjustment of the plow so that land may be cultivated very close to trees or shrubbery.

Dairymen of the San Fernando valley met Tuesday in the auditorium of the Van Nuys High school. Talks were made by prominent dairymen and lunch was served.

Mr. and Mrs. David Farquharson, who were married at St. Paul's Pro-Cathedral, Los Angeles, recently, are now "at home" in Van Nuys.

The Eastern Star chapter of Van Nuys Monday afternoon was hostess at a card party.

The Coming of Age club met Monday night in Van Nuys.

S. O. Houghton of Van Nuys is ill with pneumonia.

Andrew Mann of Joseph, Ore., is a new arrival in Van Nuys. He is visiting his niece, Mrs. Kathryn Lay.

Mrs. Dora Boorman, who visited for a year at the home of her daughter, Mrs. C. B. Canby, in Van Nuys, is arriving today in New Haven, Conn. She expects to return to southern California to remain permanently.

The Mothers' Educational Center was held between 9 and 10 o'clock this morning in the Van Nuys Library. Mrs. Howard Trotter was chairman and Dr. Maurice Wilde was present.

The Peach & Apricot Growers' association, which held a meeting last week in Van Nuys is seeking a hundred per cent membership among those interested.

Community Night is being celebrated tonight at the Community church of Lankershim. A pot-luck dinner, 8:45 p. m., will be followed by a program at 8 o'clock. Ellsworth Plumsted, an impersonator, will be the entertainer.

TALKS TO P. T. A. ON FURNISHINGS

Interior Decoration Expert Lectures at Meeting in Central Avenue

A stimulating meeting of the Central Avenue Parent-Teacher association was held yesterday afternoon in the assembly room of the schoolhouse, when Mrs. Harriet A. Catt, a representative of a large Los Angeles furnishing house, addressed the assembly on "Interior Decoration."

The setting for the subject was enhanced by the fact that a very fine selection of pictures from the Stendahl Galleries, Hotel Ambassador, Los Angeles, are on exhibit on the walls of the assembly room.

These pictures, which have greatly interested the children, are "Laguna Beach Postoffice" and "Indian Point—Laguna Heights," by Joseph Kleitsch; "Passing Snow Storm," by Orrin White; "Fisherman's Cove," by Guy Rose; "Vista—Flintbridge" and "Azure Lake," by Edgar Payne; "Front Retreat," by Jack Wilkinson Smith; "Golden Mist," by Hanson Puthoff; "Storm Cloud," by Clyde Forsythe; "Meadows and San Jacinto," by John Frost; "Portrait," by Paul Swan, and "California-Nevada Border Line," by Ferdinand Burgdoff.

Plan Card Party—Following Mrs. Catt's talk, a resolution was adopted urging fair play in the school budget reconsideration now on at Sacramento. A copy of this resolution will be forwarded to Governor Richardson.

Miss Annie McIntyre of the second grade was awarded the prize for the third time, for having the most mothers present from her grade.

Announcement was made of a benefit card party to be held April 19, at the home of Mrs. Henry Kressmann, 950 North Louise street, the proceeds to go into the Central Avenue P. T. A. treasury fund.

REDUCING FRICTION

Use of the wheel as a means of reducing friction has been used from prehistoric times.

BRAND CENTRAL MARKET

207 NORTH BRAND BOULEVARD

"Our Economy Prices Make One Dollar Do the Work of Two"

Specials for Saturday

Class "A" Meat Market

207 NORTH BRAND BOULEVARD

Choice Meats at Prices That Are Right

Prime Rib Rolled Roast— PER POUND	33c	Leg o' Pork— WHOLE OR HALF, POUND	25c
Steer Beef Pot Roasts— PER POUND	16c 18c	Loin Pork Roasts— PER POUND	28c
Round Steak— PER POUND	25c	Fresh Picnics— PER POUND	18c
Veal Roasts— PER POUND	20c TO 35c	Chickens— FANCY DRY PICKED, POUND	42c
Legs Lamb— PER POUND	35c	Fresh and Salt Fish, Oysters	WM. SCHMIDT & SON

R. D. ESTES

207 N. Brand Blvd. GROCERIES Telephone 2592-J

Peaches— 2 LARGE CANS	35c	Sardines— 3 LARGE CANS FOR	25c
Leslie Shaker Salt— AT	10c	Matches— 4 BOXES FOR	22c
Barrington Hall Coffee— 2 LB. CAN	8c	Bulk Coffee— THE VERY BEST IN GLENDALE— WHY PAY 6c MORE FOR A USELESS TIN?	38c

We Give Bankees Free Delivery on Orders \$3.00

The DO-NUT Shop

Brand Central Market. 207 N. Brand Blvd.

Crescent Ice Cream (none better), quart only	55c
Cool-M-Off Eskimo Pie and Cones, each	5c
Orange-Lem, a pure fruit juice drink, will please you, 5c & 10c	
Fru-berree, East Side, Root Beer, Ginger Ale, Cider, Coca Cola and Pleze, all ice cold.	
French Cream Do-Nuts, only, dozen	25c
Hot Tamales, Chili and Beans and Sandwiches.	
Best Coffee and Waffles in city served at our lunch counter.	

British Slash Navy Expenditures, Claim

LONDON, March 9.—Great Britain has cut down her naval expenditures 33 per cent in the past two years, Lieutenant-Colonel Leopold Amery, of the admiralty, announced in the House of Commons. He attributed this saving to the Washington conference agreement for limitation of naval armament.

British Officer Tells Of Rhine Conditions

LONDON, March 9.—General Godley, commander of the British army of occupation on the Rhine, arrived from Cologne and immediately reported to the war office upon transportation conditions. Negotiations between the French and British regarding use of the railroads through the British zone of military occupation are still in progress. The French demand the free use of all British held railways, but so far the British have refused to turn them over.

Weds Sister-in-Law to Bequeath Her Estate

PIGEON, Mich., March 9.—Just before funeral services were held for Dr. Otto Renzel, it was revealed that he was married three days before his death to Miss Mathilda Myers. The wedding ceremony took place after Dr. Renzel was told that he could not recover. He married Miss Myers so she could inherit his estate, valued at \$100,000. Miss Myers is a sister of Dr. Renzel's first wife, who died two years ago. She has been his housekeeper since the death of the first Mrs. Renzel.

With most modern machinery it would take 25 years to sink a shaft 10 miles deep.

American passenger locomotives and cars travel over American-made rails in Manchuria.

A box car is 200,000,000,000 times bigger than a pinhead, says one statistician.



We will show you the best way to cook

We have a message for the housewives of this city—a message of better cooking, less expensive cooking, and far more leisure than the tired and hard-worked wife and mother has ever known.

In order to tell it right, we will give a **Free Demonstration**

at our store, and ask that you come in and see what can be done and how to do it. We will serve food to you, deliciously cooked, direct from the

Westgate AUTOMATIC ELECTRIC Cooking Cabinet

This Cabinet will cook an entire meal at one time, including meat, vegetables, dessert and coffee, and requires absolutely no watching. You put your meal in in the morning, set the alarm, and at dinner time find everything cooked exactly right. Cannot burn or scorch, because of our automatic control. Pays for itself in food saved. Operates from electric light socket.

Don't fail to come in and see this wonderful demonstration at our store on TUESDAY, MARCH 13TH, FROM 2 TO 5 P. M. AND EACH AFTERNOON THEREAFTER—TO AND INCLUDING, SATURDAY, MARCH 17TH.

GOOD HOUSEKEEPING DEPT. OF PAGE FURNITURE CO. "Makers of Happy Homes" 306-8 EAST BROADWAY GLENDALE, CALIF.

WE ARE PLEASED TO Announce the Opening OF OUR Good Housekeeping Department ON MONDAY, MARCH 12TH

—This will be featured by a week's demonstration of the Already Famous—

- Westgate Electric Cooker
- Easy Vacuum Electric Washer
- Hamilton Beach Vacuum Sweeper

AND THE

- A. B. C. GAS RANGE

PAGE FURNITURE CO.

"Makers of Happy Homes" 306-8 East Broadway, Glendale, Calif. You Are Obligated in No Way to Purchase

GATEWAY MARKET

BRAND AT SAN FERNANDO ROAD

SPECIALS FOR SATURDAY

MEAT DEPT.	BAKERY DEPT.
Smoked Eastern Hams, Whole or Half, per lb.....27c	FRESH ROLLS
Fancy Bacon, Whole or Half, per lb.....27c	PARKERHOUSE FINGER ROLLS } 15c and 20c
Hamburger, 2 lbs.....25c	HORN'S ROLLS } PER DOZEN
Pure Lard, per lb.....14c	NAPKIN ROLLS } 15c and 20c
Compound, 2 lbs.....25c	SANDWICH BUNS } PER DOZEN
Swift's half lb. Premium pkg. Bacon.....25c	HARD ROLLS } PER DOZEN

Honey Cream Layer Cakes.....40c
Honey Cream Cup Cakes, doz.....25c
Bread, Home Made at the Counter.....10c

PLENTY OF FRESH DRESSED RABBITS AND POULTRY FISH AND OYSTERS AT ALL TIMES

C. CASWELL

FOR YOUR SUNDAY DINNER

Woman's Page

Side Talks by Ruth Cameron

WHAT JOB MEANT

"Would that mine enemy had written a book."

I always used to wonder what Job meant when he said that.

He couldn't presumably have had in mind the author's disappointment when the royalty with which he planned to buy a \$10,000 car didn't materialize in large enough quantities to permit him to invest in any vehicle more costly than a baby carriage.

Nor could he have gloated over the thought of what the critics would do to it. At least I don't think they had critics in those days.

Why then did he choose that particular misfortune to happen to his enemy?

So He Could Laugh

I think I know now. He wanted his enemy to write a book on some subject on which he, the enemy, was an authority so that when he heard it quoted he might laugh at the quoter and say scornfully: "got that out of a book, didn't you?" as if to get anything out of a book instead of by practical experience was the height of idocy.

A man I know has recently taken up tennis. As a preliminary he bought a book on the subject by a man who has every reason to know what he is writing about, having acted as coach to many successful players.

But when he tries to put into practice the teachings of this book, when he quotes it in explanation of what he is trying to do, all his friends laugh heartily at him; that you can't learn to play tennis out of a book.

His Book Tennis

When someone beats him as often happens, since he is more interested at present in starting right than in winning, they joke

WOMAN CONVICTED OF MURDER

One Found Guilty For First Time In Years



For the first time in many years a woman was convicted in Long Island, New York, courts on the charge of murder. So many have been acquitted it has become a joke that there "is always an open season for shooting husbands on Long Island." The woman now convicted of murder in the second degree is Mrs. Lillian Raizen, who is shown here in her cell, after being found guilty of the slaying of Dr. Abraham Glickstein, whom she charged with attacking her. She has taken an appeal.

BEAUTY CHATS

A CHAT ABOUT TEETH

Bad dentists are too anxious to pull out teeth, good dentists too anxious to save them. If a man has not the skill to cure and preserve a disease tooth he surely wants it out and all its troubles with it, for the gum will heal easily and false teeth are not difficult to put in. Good dentists, on the other hand, are sometimes too anxious to use their skill and knowledge in saving a practically worthless tooth.

The only solution seems to be to go to the dentist so frequently that the teeth never have a chance to become unhealthy. This means, of course, a visit once every six months to a man whose skill you can trust. The teeth should then be thoroughly cleaned of tartar which may get up under the gums and cause pyorrhea, and any small fillings attended to. If you go every six months that's all that will ever happen to the teeth.

It is true, of course, that all sorts of unexpected disease have their origin in bad teeth and gums and that, although the mouth may seem healthy enough with no visible cavities, the germs of dozens of troubles may lurk deep down where the teeth have their roots. The English dentist, I believe, ascribes most human ailments to this hard-to-get-at cause. The American dentist, as yet, does not entirely agree with him. Which of the two are right I cannot say. American dentists have the greatest reputations in the world. It is said that there is one attached to practically every foreign court, and the American dentists of foreign lands usually have the topmost reputations and prices.

The most important thing in the care of the teeth is having them properly cleaned, and few dentists do this. They will clean them so they look well with brushes and pumice and even implements to scrape off the tartar, but few go under the edge of the gum where the tartar causes pyorrhea.

Be—The reason why your nails break off is due to dryness. Most women who do much housework have this trouble, especially if they immerse the hands in hot water too much; however, you can overcome this tendency entirely if you rub a little oil into the nails



Do your features please you? keeps the blood circulating under them. All these little attentions will combine to keep the nails from getting dry and ugly even though you are compelled to do all of your housework.

Tomorrow—An Early Spring Diet

All inquiries addressed to Miss Forbes in care of the "Beauty Chats" department will be answered in these columns in their turn. This requires considerable time, however, owing to the great number received. So, if a personal or quicker reply is desired, a stamped and self-addressed envelope must be enclosed with the question.—The Editor.

(Copyright, 1923, George Matthew Adams)

Efficient Housekeeping

TOMORROW'S MENU

Breakfast
Apple Sauce (dried apples)
Cereal
Coffee
Boiled Eggs
Toast
Luncheon
Baked Rice-Cheese Dish
Bread and Butter
Tea
Dinner
Fried Liver Served with Fried Onions
Boiled White Potatoes
Coffee
Orange Custard

A Reader Friend has written to ask how she can serve oranges in different ways. Try some of the following:

Orange Custard—To make this dessert, simply make an ordinary boiled custard and pour it over sliced oranges in a dessert dish (skin, seeds and the stringy white membranes removed). Let cool and serve.

Orange Compote—Separate six oranges into sections without breaking the white membrane. Make a sirup of one-half cup of water, juice from one lemon, two cups of apricot juice (either from canned apricots, or drained from dried apricots which you have simmered for a while in hot water to cover) and two cups of granulated sugar. Boil this sirup five minutes, or until it "threads," then add the orange-sections to it. Remove the saucepan from the fire, cover, and cool. Chill at least an hour before serving.

Orange Pudding—Peel and slice four large oranges. Cover with one-half cup of sugar and let stand 30 minutes in a baking dish, in a cool place. Beat together the yolks of three eggs, one heaping tablespoon of cornstarch, one and one-half cups of sugar and one pint of sweet milk. Cook this mixture till thick like custard, and then cool it. When cold, pour it over the sliced or-

Diet and Health

By Lulu Hunt Peters, M.D.

I, I, I, MYSELF; I THE HISTORY OF ME BY ME CHAPTER XLVIII FOREIGN BODIES

Doctor told us about some very moving pictures that she saw at the Academy of Medicine in New York recently. A noted physician, who specializes in removing things from the lungs and stomach through their entrance passages, gave a lecture and showed pictures of the different articles he had removed from babies, children and grown-ups. He showed X-ray pictures of these patients before they had the articles removed, and you could see the things right on location.

Doctor says that it made all the doctors gasp with wonder at the things that were swallowed that ought not to be—chicken-bones, atomizer tips, fruit stones, whistles, rings, coins, jack-stones, glass eyes; false teeth and a small metal horse, many ordinary pins, saw pins and safety pins both open and closed.

From the pictures of some babies one would conclude that their favorite diet was safety pins. One of the babies' pictures showed that it had swallowed more than a half dozen pins. Some were in the lungs and some were in the stomach, some open and some closed! Do you know how they got there? The baby's little brother, a nice little chap, the doctor said, had pushed them into his mouth and down his throat. Of course, the little brother did not know that that was not a nice thing to do.

He thought he was playing a fine game. No doubt he had seen his mama put safety pins in her mouth many times and he thought that what his mama could do he could do to his little darling baby brother.

I bet when I have a little brother I never shall do such a thing. Not because I do not expect to be as adventurous and curious as other boys, but because my mama will never have pins around where I can get hold of them and I shall never see her put any in her mouth. Then as I told you last weedy, ma Cherie (that means 'my darling' in French and is one of my pet names for my Mama) ma Cherie is going to make a practice of slapping my little hands whenever I put anything to my mouth that ought not to be there. She won't do this in anger, you understand. After a while I will associate the pin with that habit, and realize in this way that it is not a good thing to do.

Doctor wants me to tell you that if your baby or your child should swallow something accidentally and choke, you must quick, quick take him by the feet, stand him on his head, and give him some smart slaps on his back. Perhaps that will dislodge it.

You must be very careful, mamas, if something is in the back of the baby's throat and you try to take it out, not to push it further down. Many things that are swallowed get down into the stomach and pass out naturally through the bowel movements in two or three days or a week, or sometimes longer.

You must not give a cathartic or an emetic (something to produce vomiting) but if it is a baby like me, feed it as you usually do; and if it is eating cereals and bread and potato, give him more than the usual amount. Remem-

BUTTER FIRM TO REVEAL PROCESS

Methods Will Be Explained To Glendale Women in Advertisements

In this issue of the Glendale News will be found the advertisement of the E. L. Thomson Company, featuring Clover Glen Butter. While this brand of butter is not new to the housewife in southern California, it having been on the market for a number of years, the Thomson Company is now disclosing some of the inside facts connected with butter making, drawing comparison between the manner in which most creamery butter is produced and the unusual methods used in the making of Clover Glen Butter.

Creamery concerns have in the past shown little consideration for the public by not disclosing the conditions under which their different brands of butter were manufactured, nor have they taken the trouble to enlighten the housewife regarding the various grades of butter. In this series of advertisements it is the intention of the makers of Clover Glen Butter to

PHYSICIANS AND DENTISTS

- | | |
|---|--|
| EDWARD SWIFT, M. D.
PHYSICIAN AND SURGEON
124 S. Brand Blvd., Glendale Theatre Bldg. Office and Residence Phone Glendale 2061. | Office Phone Glen 397
DR. R. W. SHERRED
DENTIST
Central Building, 111 East Broadway, Glendale, California
X-RAY Office Hours, 9-12, 1-5 |
| Res. 253 W. Patterson Avenue. Office Phone Glen 307; Residence Phone Glendale 1308-J. | Office Phone Glen 397
Residence Phone Glendale 333-W
DR. C. M. TAYLOR
DENTIST
Central Building, 111 East Broadway, Glendale, Calif. |
| DR. J. P. LUCCOCK
DENTIST
Phone Glendale 455
620 East Broadway, Glendale. | Office and Res. Glen. 348
DR. T. C. YOUNG
620 E. Broadway
GLENDALE, CALIF. |
| Phone Glendale 1432
DR. R. C. LOGAN
DENTIST
Latest X-Ray Equipment
Office: Glendale Theatre Bldg. 124 S. Brand Blvd. | ROMNEY M. RITCHEY
A. M., M. D.
Office and Residence Phone—Glendale 2509-J
Emergency Phone 821-221
111 East Broadway, Glendale |

Phone 195
Glen. 195
We Deliver
"A Drug Service That Really Serves"

ROBERTS & ECHOLS DRUG STORE
102 E. Broadway
GLENDALE, CALIF.

Spare the Corset and Spoil the Figure

The corsetless woman, or one who has indulged in flimsy makeshifts, finds that minus adequate support and control her figure is fast losing its symmetrical proportions.

Her abdomen is protruding. Her back is wobbling. Her hips are spreading. If her style is all she is losing she should be thankful for an unsupported abdomen is apt to sag and permit its delicate organs to become displaced. Then health as well as style is ruined.

A NEMO WONDERLIFT CORSET

which our corseteers will be happy to show you, has an adjustable Lastkops Bandlet concealed beneath the corset-skirt. This Bandlet returns to, and keeps in, their normal positions the easily injured abdominal organs. You not only look better but feel better.

Illustrated No. 560—Very low bust with elastic inserts; long skirt. Pink, or white, coutil; sizes 24 to 36—\$7.25.

We Are Exclusive Agents in Glendale for Nemo Corsets

SHERROD'S

Corsets—Lingerie—Hosiery
133 N. Brand Blvd., Glendale
Jensen's Palace Grand Shops—Main Floor
Saturday—Special Hosiery and Underwear Day

MOST POWERFUL ENGINE

The most powerful high-pressure steam engine in the world was built for the Cargo-Fleet Iron Company of England and develops 25,000 horsepower at 140 revolutions a minute, with steam at 190 pounds.

Fur of the jack-rabbit is extensively utilized for felt hats.

A. B. C. Oscillator

\$119.00 CASH PRICE
OR
\$5.00 CASH AND SMALL MONTHLY PAYMENTS

"Washer" Wilson
140 South Brand Glendale 530
147 W. San Fernando Blvd.
Burbank 193

As Your Face Changes!

Science taught us, long ago, that tissues change rapidly. Especially those of the facial skin.

During this constant change—SO GREAT a difference can be made in the betterment of your complexion.

Marinello beauty methods have shown this for 15 years.

Marinello Beauty Shop
123 West Broadway
Phone 492-J

Woman Takes Poison When Jury Convicts

NEW YORK, March 9.—Mrs. Paulette Saludes, convicted of second degree murder in slaying Oscar B. Bartelliere, attempted suicide by taking poison a few minutes after the jury returned its verdict. She was being led from the courtroom back to the Tombs when she made the attempt.

The convicted woman, in custody of a matron and a deputy sheriff, had just reached the entrance to the bridge of sighs, when, unknown to her guards, she slipped a vial containing an unknown poison from her coat sleeve and drained the contents.

She collapsed, dropping insensible to the floor. Dr. Glickstein, the city physician, was hurriedly summoned and a call sent for an ambulance.

OCCUPY HARBOR

MANNHEIM, March 9.—A detachment of 150 French troops crossed the Rhine and began to occupy the Rhine Harbor. Coal taxes have been remitted by the inter-allied Rhine-land commission mines in the occupied area.

Charge Cuno's Speech Is Intervention Plea

PARIS, March 9.—Chancellor Wilhelm Cuno's speech in the Reichstag was interpreted by French newspapers as a direct appeal to Premier Bonar Law of England, or President Harding of the United States, for intervention in the Ruhr.

"Chancellor Cuno is too intelligent to ignore the fact that it is useless to ask for intervention," said the Matin.

Premier Bonar Law and President Harding are too much taken up with the affairs of their own countries and the public opinion of their countries to take up a position hostile to France, the paper continued.

Russian Leaders Said To Be Seriously Ill

LONDON, March 9.—A story that all the leading figures in the Russian soviet government are seriously sick was published by the Daily Mail. According to this newspaper, Nicolai Lenin's physician was quoted as saying that he "could not live far beyond Easter on account of hardening of the arteries and a nervous breakdown."

Maxim Letinoff was said to be suffering from degeneration of the heart, and George Tchitcherin, people's commissar for foreign affairs, was reported in serious condition from an organic ailment.

CONFIRMS REPORT

LOS ANGELES, March 9.—Anita Stewart, motion picture star, confirmed the report that she and her husband, Rudolph Cameron had separated.

Your EASTER Footwear Will Be Properly Fitted At a Price To Please If You Let Us Fit Them

—SHOES FOR THE FAMILY—

Wizard Glendale Bootery
LIGHTFOOT
System of Foot Correction
221 North Brand Blvd.

Dress Pumps \$7.00 to \$11.50
Pumps, Oxfords \$5.00 to \$8.50

Specials for Saturday at Sam Seelig's VEGETABLE and FRUIT MARKET

135 N. BRAND BLVD., GLENDALE

- Golden Dates, 2 lbs. for 25c
- Soft Shelled Walnuts, per lb. 20c
- Bananas, 3 lbs. for 25c
- Green Peas, 3 lbs. for 25c
- Bellefleur Apples, 6 lbs. for 25c
- Bellefleur Apples, per box \$1.25
- Fancy Russet and Burbank Potatoes, lug box 60c

YOU ALSO GET 13 CANS WHEN YOU BUY 12

MAGAZINE LAUDS LOCAL Y. M. C. A.

Virile Organization Given High Praise in Organ of Association

Glendale District Y. M. C. A. has received flattering recognition in the February number of Association Men, the official Y. M. C. A. magazine, in an article written by Paul Patton Paris and appearing under the title, "A Service of High Purpose."

In the article the writer tells of the recreational and fraternal activities of the various Y. M. C. A. branches in Glendale and says: "There are twenty-six Y. M. C. A. boys' clubs functioning, each led by one of the city's business men, and each imbued with an ideal of unselfish service similar to that of the virile Hi-Y of Glendale. The meetings are held so unobtrusively and the service is done so unostentatiously, that only dwellers in Glendale who are most observant are aware that there is Y. M. C. A. work being done among them."

"No towering association building is there to advertise the work; it is only as the Y touches some one close to you that you realize a live Christian force is on the job."

Kelley Is Praised

He goes on to tell of the work the Glendale Y. M. C. A. has done for the Strickland Home for Boys at Annandale and he pays high tribute to Rex C. Kelley, Glendale Y. M. C. A. secretary, for his devoted and efficient service.

In closing, he says, "It's the right system. A system of fun, of cooperation, of high purpose, a

Carnegie Tech Now Has New President



Dr. Thomas Stechem Baker, newly elected president of Carnegie Institute of Technology, Pittsburg, Pennsylvania, was born in Aberdeen, Maryland, in 1871. He holds degrees from Johns Hopkins and the University of Leipzig and has written much on Germany. The Tech now has a faculty of 400 and a student body of 4200.

Any kind of wood kept perfectly dry will not rot.

COMMUNITY PLAY ROOM IS OPENED

Basement of Palace Grand Shops Is Devoted to Recreation Idea

With the announcement of the opening of the Jensen Palace Grand Shops' "Recreation Center," at 133 North Brand boulevard, the people of Glendale are presented with one of the unique and most useful innovations not only on the Pacific coast but in the entire country.

This is the opinion of Robert S. Jensen, who, with his brother, Walter F. Jensen, and their father, Henry C. Jensen, are responsible for the beautiful arcade that bears their name.

And the opinion is substantiated by the facts. Nowhere in the United States is there anything quite like the Jensen Shops; nor, more particularly, like that artistic basement done in Egyptian type architecture and known as the Recreation Center.

In order that they might give Glendale the finest expression of the community recreation idea possible of attainment, the Jensen two years ago made an extensive trip through the east, studying arcades and similar enterprises. The result, embodying the best features of all their observations, plus many original conceptions of their own, is the Jensen Palace Grand Shops, consisting of a basement, main arcade and balcony, all of most harmonious and artistic design.

Artistic Features

The Recreation Center, which occupies the basement space of 53 by 150 feet, contains a mezzanine floor with ladies' and gentlemen's rest rooms at front and rear; and on the lower level a magnificently appointed five-alley bowling parlor, of Egyptian design, with polychrome jazz plaster effects, indirect lighting, together with locker-rooms, wrap-rooms, a completely equipped gymnasium, dressing rooms, individual lunch service, a special system of convenient telephones and many other up-to-the-minute features.

One of the tenants of the Recreation Center is the "Glendale Recreation Club," legally incorporated under state laws, with a board of competent directors, adequate by-laws, house rules and membership qualifications. Robert S. Jensen is president of this club, which offers its members billiard and pool tables, smoking rooms and other conveniences.

"Service is the idea we have tried to build into the Jensen Palace Grand Shops," states Robert S. Jensen. "Our many years of experience as theatre builders and operators have taught us that this is one thing the public truly appreciates.

"Take, for instance, the comfort stations we have installed. They are free and open to all, and they don't cost the people a cent, whereas, if a provision in a recent election had been approved, public comfort stations in Glendale would have cost the people \$25,000.

Ready for Visitors

"That is what we call service, but it is only one of the many services offered by the Recreation Center we have installed in the basement of our Palace Grand Shops. The Recreation Club is another such service, the gymnasium another, the dumb-waiter connection with our drugstore above, allowing individual restaurant service, still another.

"And there are more. One would have to visit us to see what we really have, for there is service at every turn.

"We are ready for visitors now," concluded Mr. Jensen, "and our confidence in Glendale, built up by eight years of living and doing business here, tells us

Indians Make Bishop Moulton Their Chief



Rt. Rev. Arthur Moulton

This photograph shows Rt. Rev. Arthur Moulton, bishop of the state of Utah, who has made himself so beloved of the Ute Indians, among whom he has worked for many years, that they have given him the rare honor of making him the honorary chief of their tribe. He is shown here in the robes of his new office.

Will Reveal Details of Closed Consulate

WASHINGTON, March 9.—As a result of the discussion in the British house of commons of the closing of the American consulate at Newcastle, England, Secretary of State Hughes has planned to make public the correspondence that has passed between himself and the British foreign office with regard to the incident.

FOOLS' CAP PAPER

Foo's cap paper was first named in the time of Charles I, when a sheet having a fool's cap and bells for a watermark was used in place of stationery having the royal arms, in derision of the monarch.

that patronage will not be wanting. "Nothing is too good for Glendale, and in this institution we have given them the best."

Henry C. Jensen and his sons, Robert S. and Walter F. Jensen, builders of the Jensen Palace Grand Shops, have been prominent in amusement enterprises for a number of years. They built the T. D. & L. Theatre here, formerly called the Palace Grand, and built the Raymond and Pasadena Theatres, Pasadena, together with other playhouses in Los Angeles and elsewhere.

ANNIVERSARY SALE

Having enjoyed a prosperous business since our opening in 1917, six years ago, we have grown from a small store to one of the largest and most patronized stores in Southern California. Our steady growth is due to "something," and that "something" is this—

COURTEOUS TREATMENT AND PERSONAL SERVICE TO EVERY CUSTOMER. A TRANSACTION NEVER COMPLETE UNTIL THE CUSTOMER IS COMPLETELY SATISFIED.

CARRYING STANDARD MERCHANDISE AT STANDARD PRICES ASSURES EVERYONE OF "AS GOOD A BUY" AS HIS NEIGHBOR.

CONVENIENT TERMS ARRANGED TO SUIT EVERY POCKETBOOK.

SPECIAL OFFERING FOR OUR ANNIVERSARY



A remarkable value—this beautiful Upright Piano for \$290. A small payment delivers it and a few dollars a week pays for it while you enjoy it in your home. We allow two years, or longer, to pay for any Upright Piano you select from our complete stock of Pianos.

Placed in Your Home For a Payment of **\$10.00** Balance Like Rent

New Console Brunswick Phonograph



PLAYS ALL RECORDS at their best

\$157.50

Price includes 20 selections on 10 double face 75c records of your own choice.

\$10 a month pays for it

Glendale Phonograph Co.

ARTISTIC **Brunswick** SHOPPE

123 SO. BRAND GLEN. 476

REMARKABLE SALE Ladies' Spring and Summer Hats

A JOBBER'S LOT SACRIFICED All Colors, Some Hand Made and Milans **\$2.50 to \$9.00**

Saturday Afternoon Only Please 436 S. Salsuma Avenue, Brown House EAGLE ROCK CITY Don't Fail to Take Advantage of This Offer

INCOME TAX Our offices will be open from 9 a. m. to 5:30 p. m., and evenings from 7:30 to 10 for the purpose of preparing income tax returns at reasonable fees.

OLIN and HUTCHINSON ACCOUNTANTS—AUDITORS GLENDALE 1176-W 150 South Brand Boulevard, Chamber of Commerce Building

Read The Evening News Classified Ads For Profit

Liquor Runner Caught After Thrilling Battle

SAN FRANCISCO, March 9.—Three men arrested by the crew of the Fort Point coast guard cutter on a smuggled booze-laden launch, after a thrilling chase and gun battle off the Marin county shore, were turned over to federal authorities here by Captain J. S. Clark of the coast guard, who effected the capture.

The capture and seizure of the booze-laden motor launch Pearlless was only effected after the coast guard cutter had run down the fleeing run runner and scores of shots had been exchanged between the vessels.

Swedish Methods of Reforestation Urged

WASHINGTON, March 9.—Adoption by the United States of the Swedish plan of reforestation was recommended to a special committee by Alexander H. Oxholm, chief of the division of the commerce department.

This plan includes reforestation by selected seed trees, instructions in the schools, strict regulations for the prevention of forest fires and restrictions in the cutting of timber.

What is claimed to be the largest wrecking crane in the world is on the Virginia railroad and is capable of lifting over 200 tons at a radius of seventeen feet six inches.

about 1,087,412,000 bushels, or 37.6 per cent of the 1922 crop, against 1,305,559,000 bushels, or 42.5 per cent of the 1921 crop. About 17.8 per cent of the crop will be shipped out of the counties where grown. The proportion of the 1922 crop which is merchantable is about 88.3 per cent.

Corn Estimate Give Figures on U. S. Crop

WASHINGTON, March 9.—The reporting board of the bureau of agriculture economics, department of agriculture, made the following estimates from reports of its correspondents and agents:

Corn—On farms, March 1, cent.

We Deliver Free Phone Glendale 2266-W

CENTRAL FRUIT MARKET

220 So. Central Ave. (Near Oak)

- APPLES
- Medium Size Winesap, 40-lb. box \$1.00
 - White Winter Permain, 6 lb. 25c; box 1.50
 - Newton Pippins, 6 lb. 25c; box 1.65
 - Hood River Pippins, 44-lb. box 1.85
 - Arkansas Blacks, 5 lb. 25c; box 1.75
 - Fancy Roman Beauties, 45-lb. box 2.05
 - Fancy Delicious, box 2.00
 - Fancy Burbank Potatoes, 13 lb. 25c; 100 lb. 1.50
 - Idaho Russet Potatoes, 12 lb. 25c; 100 lb. 1.65
 - Imperial Grapefruit, Seedless, Sweet, 7 for .25
 - Fresh Peas, 3 lb. .25
 - Prunes, Figs and Raisins, 2 lb. .25
 - No. 1 Walnuts, lb. .20
 - Bananas, 3 lb. .25
 - Carrots, Turnips, Beets, Always 3 Bunches. .10
 - Our Little Sweet Oranges are Still Selling at, dozen .05

Saturday's SPECIALS at the LITTLE PREMIUM MARKET

123 No. Glendale Ave. Phone Glendale 128

OUR DELIVERY REACHES ALL PARTS OF THE CITY

- Armour's Star or Swift's Premium Hams 27c lb.
- Prime Rib Roast, Boned and Rolled 25c lb.
- Boneless Rump Roast 19c lb.
- Pot Roast of Corn Fed Steers 10c lb.
- Plate Boiling Beef 7c lb.
- Legs of Baby Lambs 30c lb.
- Lean Pork Shoulders 15c lb.
- Pork Legs 21c lb.
- Eastern Bacon, Extra Fine 23c lb.
- Eastern Smoked Picnic Hams 17c lb.
- Butter, Clear Brook Creamery 47c lb.

OUR MOTTO—We do not sell cheap products, we sell good products cheap. Yours truly, DAVID DONWELL.

TRANSFERS AND REQUESTS FOR SERVICE

Transfer of light and water service has been requested by the following residents and orders are now on file in the public service department at the city hall: Roger Bentley, 715 North Central avenue, 416 West Los Feliz road; Robert Ford, rear 715 North Central avenue, 416 West Los Feliz road; J. C. Robertson, 516 Raleigh street, 514 Acacia street, Hawthorne; W. M. Starling, 427 Salem street, 442 Newport avenue, Long Beach; Hopper, 1154 North street, 124 Orange Grove avenue; E. L. Scheffer, 697 North Jackson street, 220 West Stocker street; J. D. Kutch, 467 West Maple street, 3933 Seneca street, Los Angeles; H. Halgrave, 437 Myrtle street, 126 1/2 Harvard street; C. W. Fish, 1332 East Wilson avenue, 3511 Garden avenue, Los Angeles; W. L. Snow, 812 South Glendale avenue, 181 Eagledale avenue, Eagle Rock; J. Montgomery, 1296 South Maryland avenue, 812 South Glendale avenue; H. H. Davison, 1253 Linden avenue, 651 Alexander street, W. C. King, 1207 North Columbus avenue, 4529 Edgewood place, Los Angeles; Fred E. Hagin, 144 North Orange street, 634 North Howard street; F. E. Whitton, 113 South Jackson street, 163 North Cedar street; A. G. Larkin, 192 East Chestnut street, 1231 South Orange street; B. H. Siper, 1242 Raymond street, to Burbank; S. L. Shaffer, 711 Colorado street, 415 South Glendale avenue; M. E. Hawton, 626 East Maple street, 326 North Belmont street; A. A. Jackson, 327 North Louise street, to Ontario; Margaret Lingman, 1265 South Glendale avenue, 1221 Crescent drive; M. R. Devaney, 822 East Harvard street, to Minneapolis; F. S. Atkinson, 813 Milford street, 1126 North Columbus avenue; Bowling & Gilbert, 301 South Grand boulevard, 403 South Glendale avenue; Frank Hester, 203 East Maple street, 1445 North Central avenue; J. C. Baird, 192 South Mariposa street, 516 Raleigh street; C. B. Hill, 540 Myrtle street, 614 North Brand boulevard; Sam & Wilson, 110 North Louise street, 537 East Colorado street; G. R. Haley, 376 West California avenue, 935 Junipero avenue, Long Beach; Prindle, 541 West Lexington drive, 293 East Laurel street; Frank Lechner, 1151 East Elk street, 622 North Howard street; Walter Crowell, 126 North Orange street, 111 East Broadway; Warner, 724 East Acacia avenue to Los Angeles; W. Doisdien, 323 North Geneva street, to 209 North Glendale avenue; F. C. Brown, 634 North Howard street, 454 West Stocker street; M. B. Cleveland, 432 North Colum-

bus avenue, Columbus & Dryden; J. W. Goodman, 1339 East Harvard street, 212 Dayton court.

Installation of meters has been requested by Herman Stess, 1420 Rock Glen Road; Arthur Schott, 521 North Concord street; George Pomeroy, 425 North Isabel street; C. Cullingsworth, 1028 South Mariposa street; Catherine McKee, 749 South Adams street; Andrew Urtinge, 210 Sinclair avenue; J. G. Huntley, Cumberland road; F. H. Onstad, 532 Eighth street; H. B. Howeth, 245 Broderick drive; Sarah Cuenilo, 4663 Bemis street; A. B. Alley, 1314 East Garfield avenue; Raymond Baker, 1156 Raymond street; J. M. Swamer, 115 West Corritos street; W. R. Meadows, 621 Milford street; F. Farnhams, 903 North Pacific avenue; H. M. Stafford, 1119 Raymond street; Arthur Knox, 504 North Adams street; A. Farnocci, 1223 Cleveland road.

Service has been obtained by the following: E. W. Lauzier, 164 South Columbus avenue; Daniel McLean, 1409 Valley View road; Augusta Duehring, 535 Palmer drive; J. B. War, 114 North Pacific avenue; Mrs. M. Forga, 139 North Belmont street; J. S. Taylor, 1157 Sonora street; J. M. Page, 622 North Louise street; George W. Kelsner, 636 East Harvard street; J. C. Satow, 1531 1/2 South San Fernando road; Victor Thompson, 216 North Cedar street; E. Wheaton, 519 West Fairmont street; C. Dunham, 305 Ivy street; Mrs. W. K. McComb, 419 Vine street; Carl Robinson, 615 North Howard street; Edna Canfield, 323 Oak street; James Larkins, 1104 East Harvard street; Mrs. Callahan, 105 East Lexington drive; A. McMillan, 827 East Colorado street; V. E. Burris, 623 East Chestnut street; Leroy Stutson, 745 East Wilson street; F. W. Merry, 1118 East Palmer street; R. E. Shramer, 207 West Maple street; Lee Palmer, 1251 Elm street; J. L. Evans, 536 Salem street; J. L. Ardery, 377 Milford street; Charles H. Sutton, 1061 Raymond street; G. H. Hoffman, 522 West Harvard street; H. S. Garlinghouse, 436 North Jackson street; C. L. Lussman, 453 West Elk avenue; J. H. Kline, 315 North Louise street; J. E. McCormick, 413 North Louise street; T. S. Atkinson, 1126 North Columbus avenue; D. A. Stone, 109 1/2 East Chestnut street; Lee D. Childers, 615 1/2 North Brand boulevard; E. L. Davis, 1529 1/2 South San Fernando road; H. Hargrove, 1126 1/2 East Harvard street; Roger Bentley, 1645 South San Fernando road; L. E. Hopper, 1240 Orange Grove avenue; E. C. Huyek, 490 Palm drive; Wm. A. Baker, 603 West Broadway; C. Elder, 510 West Fairmont street; M. Todd, 144-A South Brand boulevard; Mrs. Christenberry, 116 East Garfield street; R. C. Downs, 619 West Elk street; A. R. Swanson, 427 Salem street; R. H. Koehler, 727 East Chestnut street; Mrs. Westworth, 220 East Garfield avenue; H. P. Myers, 1455 East California avenue; J. Montgomery, 812 South Glendale avenue; N. T. Waldrun, 119 West Randolph street; W. L. Snow, 181 Eagledale avenue; L. B. Williams, 330 1/2 West Cypress street; B. F. Bliss, 1227 East Broadway; S. F. Shaffer, 615 South Glendale avenue; F. B. Ludford, 317 South Glendale avenue; L. E. Newcomb, 814 South Maryland avenue; A. Johnson, 1020 South Mariposa street; N. E. Hawton, 326 North Belmont street; P. E. Tyree, 1929 Glendon road; J. C. Baird, 1020 South Mariposa street; J. C. Baird, 516 Raleigh street; J. W. Hellein, 1203 North Central avenue; P. C. Brown, 454 West Stocker street; E. L. Fleming, Verdugo road; I. F. Morse, 541 Fairmont street; Frank Lechner, 622 North Howard street; C. E. Babcock, 356 West Harvard street; C. R. Dodge, 1017 Western avenue; M. H. Stanley, 1429 East Wilson avenue; J. W. Goodman, 212 Dayton court; C. B. Hill, 614 North Brand boulevard; R. M. Yost, 201 West Doran street; W. H. Hattery, 626 East Maple street; C. H. Young, 724 East Acacia avenue.

Alarm Clock Special for Saturday



—A \$2.00 Waterbury Nickel Alarm Clock, Splendid Timepiece, Absolutely Accurate.

On Sale Saturday Only for

\$1.00

TABLE SILVER

—Your pattern in Sterling, 1847 Rogers, Community or any make you can name. Sets or individual pieces. We Invite Your Charge Account.

"It Is Easy to Pay the Lewis Way"

Lewis Jewelry Co.

The Diamond and Watch House Jensen's Palace Grand Shops 133 N. BRAND BLVD.

LODGE'S REPORT SHOWS PROGRESS

Details of Children's Care Prove Benefits From Treatment

The report of Monte Vista Lodge, Sunland, Calif., for 1922, received by Mrs. Ralph W. Meeker, representative of the Council of Community Service in this district, contains many details of interest to all those who have contributed so generously to the establishing and support of this institution.

The property originally acquired at a cost of \$9000 is now appraised at \$40,000. Of the original cost only about \$3800 remains unpaid.

Every child who has entered the lodge has been underweight and reports show that every child cared for gained from one to fourteen pounds, due to maximum supplies of fresh milk, eggs, fruits, etc., regular hours, baths and supervised recreation.

Appreciate Support
From the formal opening, July 16, 1921, to January 1, 1923, there have been 1017 children and 113 adults cared for. The total receipts for same period were \$17,624.30. The above does not include donations received in kind or services and labor performed gratis.

Mrs. Meeker takes this opportunity of thanking the people of Glendale for their hearty support of this most worthy object, also

Assessments Due for Los Feliz Road Work

Assessment payments for the recent improvement of Los Feliz road are now being received by Quirk Brothers, 501 Hibernian building, Los Angeles, to whom the improvement bonds were assigned by the Los Angeles Paving Company.

A. W. Cartledge, member of the city engineering department, stated that he would release the municipal liens against the property because of this assessment if property owners would bring their receipts assessment bills to him in the city treasurer's office at the city hall.

Property owners, who do not know the amount of their assessments, according to Mr. Cartledge, will be notified by mail within a day or two.

British and French in Deadlock Over Roads

COLOGNE, March 9.—Anglo-French negotiations regarding use of railways through the British zone of military occupation have reached a deadlock and there has been no agreement, as erroneously reported, it was stated at British headquarters.

The Glendale Evening News for generous publicity, the T. D. & L. Theatre for courtesies extended, Pendroy's Department store, wives of the engineers, Mrs. Daugherty and her committee, Mrs. Jewell for knitted sweaters, and many others who helped by money contributions or personal work.

C. C. COMMITTEES TO BE ORGANIZED

Plans for Year's Work to Be Made at Get-Together Dinner Next Week

Plans are under way for holding a dinner for all of the recently appointed committees of the Glendale Chamber of Commerce, at which the various committees will be organized for the work of the coming year and at which addresses of an impromptu nature will be delivered by various speakers and by the members of the committees.

Each committee will be seated at a separate table, and the plans for the year's work will be outlined as part of an aggressive campaign that is under way to make the coming year the best in the history of the organization and one that will be marked by concrete accomplishments in every branch of its activity.

The date for the dinner will be definitely fixed within the next week.

EDITOR PASSES AWAY

ST. PAUL, March 9.—L. V. Ashbaugh, owner of the St. Paul Daily News and formerly owner of the Minneapolis Daily News, died here, after a lingering illness.

Four per cent of all babies, or 105,900 a year, die in the first month.

Bishop Of Alaska Is Regular He-Man



Bishop Peter T. Rowe

This photograph does not give an impression of a member of the clergy in ecclesiastical trappings, but it is of Bishop Peter Trimble Rowe, of Alaska, a he-man, who, in twenty years of his Alaskan career, has traveled more than 500,000 miles in the interests of his congregation.

FLAW IN HAWAII LAW IS DEFENSE

Criminal Code Provides No Penalty, Say Lawyers for Accused Man

By IRENE CORBALLY KUHNS For International News Service. HONOLULU, T. H., March 9.—That a legal conviction on a charge of manslaughter is impossible under the present laws of the Territory of Hawaii is the claim set up by defense attorneys in two cases in which their clients were arraigned as a result of fatal automobile accidents in which they participated. In one case the plea was recognized and the defendants, two youths, were acquitted. In a second case now pending, and which, on account of the prominent character of the defendant, Stanley C. Kennedy, secretary and manager of the Inter-Island Steam Navigation company, the center of public interest, the same defense has been advanced.

Say Law Is Defective
The defect, attorneys claim, is in the criminal code of the territory, which, although it defines the general offense of manslaughter, provides no penalty for it, and although it defines penalties for specific degrees of manslaughter, does not state what constitutes each of the specific degrees. As a result, it is claimed, although a man is indicted for and convicted of manslaughter the court is powerless to sentence him, and if he is indicted for any specific degree of manslaughter no conviction can be obtained, because it is impossible to determine what offense would come under that degree. All this, in spite of the fact that fifty-two convictions on manslaughter charges have been obtained in Hawaii since the end of the monarchy. These defendants, attorneys now say, have all been convicted illegally.

Popular Girl Killed
Interest in the matter now is at white heat here as a result of the manipulations of attorneys for the defense in the Kennedy case. Kennedy, who is reputed to be wealthy and is active here socially, ran down and killed Miss Catherine A. Hall, of Pasadena, California, on the night of December 23 as she was about to board a street car. Miss Hall, a teacher in the territorial schools, was exceptionally popular here.

Witnesses of the accident testified at the coroner's inquest that Kennedy was driving rapidly, speeding at the rate of 60 miles an hour at the time and that he deliberately violated the local ordinance, which provides that all vehicles must stop ten feet in the rear of a street car which has halted to take on passengers.

Grand Jury Indicts
Despite the evidence against Kennedy it was strongly rumored in the community that he would escape prosecution because of his personal prominence. The lie was apparently given to this rumor when he was promptly indicted on a general charge of manslaughter by the grand jury. But attaches of the city and county attorney's office learned just as Kennedy was about to be arraigned that he intended to plead guilty to the charge, and examination of the law convinced them that if he did so the court would be powerless to sentence him, as there is no punishment provided for the general offense of manslaughter.

Accordingly, on motion of City Attorney William H. Heen, the first indictment was nolle prossed. A second grand jury inquiry was immediately started, with the result that Kennedy was reindicted on a charge of third-degree manslaughter, the penalty for which, under the territorial laws, is imprisonment for not more than two years or a fine of \$500.

"No Such Offense"
On arraignment of this charge, Kennedy's attorneys entered a demurrer in which they assert that there is no offense known under the laws of the territory as manslaughter in the third degree and that the statute under which the indictment was brought is void, because it specifies a penalty, but does not define the offense.

Suicide Pact Fails; Couple Will Recover
LOS ANGELES, March 9.—Believed to have been despondent over marital difficulties and their inability to free themselves from their respective mates, William H. Talbutt, 31, and Mrs. Myra Lee, 25, engaged in what the police declared was an unsuccessful suicide pact.

Their difficulties were revealed in a series of love notes, found beside the man and woman in a gas-filled apartment in South Flower street.

Talbutt and Mrs. Lee were revived by a pulmonator and rushed to the receiving hospital, where, it was said, they will recover.

According to the police report in the case, Mrs. Lee had left her husband, but was unable to secure a divorce. Talbutt, the officers said, also was separated from his wife.

Annual consumption of coal in this country is about six tons for every man, woman and child.

BABY'S COLDS
are soon "nipped in the bud" without "dosing" by use of—
VICKS VAPORUB
Over 17 Million Jars Used Yearly

An Opportunity That Comes But Once a Year

First Anniversary Sale

—AT—

Stop & Shop

223 NORTH BRAND BLVD.

ONE DAY—ONLY
SATURDAY, MARCH 10

All New Spring Merchandise at

20% OFF

Regular Marked Prices. This is Your Opportunity to Get Your

EASTER WARDROBE

at marked down prices. A large assortment is offered in the following:

LADIES' AND CHILDREN'S DRESSES IN ALL THE LATEST SHADES AND CREATIONS
SKIRTS IN ALL THE NEW SPORT COLORINGS
SWEATERS IN LARGE VARIETY
A FULL LINE OF LADIES' KNOT, MUSLIN AND SILK UNDERWEAR
ALSO CAPES, COATS, WAISTS, HOSE, BRASIERES AND ROYAL WORCESTER AND BON TON CORSETS

Get Your EASTER BONNET Now

We have a large display of individual styles made in our own work room

WE ALSO MAKE AND TRIM HATS TO ORDER



Lawn Mowers, Hose and Garden Tools

—This is the time of the year when your lawn and garden needs attention.

—We've a fine assortment of

LAWN MOWERS, HOSE, SPRINKLERS, ETC.
for the lawn and

HOES, RAKES, SPADES, CULTIVATORS, ETC.
for the garden

—Always what you need in hardware, either builders' or light household needs.

GLENDALE HARDWARE CO.

Corner Isabel and Broadway Phone Glen. 490

Particularly in Glendale Are Times Auspicious to Build

Whether you are building a home for your individual requirements or for an investment—we are thoroughly equipped to fill your lumber and building material requirements.

"Our Service Adds to Your Profits"

Glendale Lumber Co.

314-328 North San Fernando Road. Phone Glendale 800

"SERVICE WHEN YOU WANT IT"

That's good coffee.

SEAL BRAND

IN 1.2, 2.5 AND 5 POUND CANS NEVER IN BULK

Chase & Sanborn
The Importers

The years GROCERY SALE event in Southern California

Another Week of the SAM SEELIG COMPANY'S Annual "13" Sale

1 can free with 12

In response to the GREATEST DEMAND for Quality Canned Goods the big-value giving "13" sale will be continued

One more week at all Seelig Stores. Sale ends Saturday-March 17th

CANNED VEGETABLES	HOUSEHOLD SUPPLIES
Paris Maine Corn, doz. \$2.35	Skat Hand Soap, doz. \$1.20
Van Camp's Hominy, No. 2 cans, doz. 95c	Old Dutch Cleanser, doz. \$1.00
Libby Tomatoes, No. 2, doz. . \$1.50	Skat Cleanser, doz. 70c
Heart's Delight Corn, doz. . \$1.50	Rainwater Crystals, doz. \$1.15
Weber Valley Peas, doz. \$1.75	Sani-Flush, doz. \$2.50
Evergreen Peas, doz. \$2.10	Searchlight Matches, doz. 70c
Libby Kaut, 2 1/2 can, doz. . . \$2.05	Chloride of Lime, doz. \$1.10
Libby Baked Beans, No. 1 cans, doz. \$1.20	Bon Ami, Cake, doz. \$1.15
Seelig's Ripe Olives, No. 1, doz. \$2.35	Waldorf Toilet Paper, doz. . . \$1.00
One Can Free With 12	Shinola Shoe Polish, doz. 85c
	One Free With 12
CANNED FRUIT	EXTRA SPECIAL—2 Free With 12
Libby Sliced Peaches, No. 2 can, doz. \$2.55	Del Monte Tomato Sauce, doz. . 85c
Libby Sliced Pineapple, No. 2 can, doz. \$3.25	Two Free With 12
Van Camp's Grapefruit, No. 1 can, doz. \$2.35	Columbia Apricots, doz. \$2.70
Libby Bartlett Pears, No. 1 can \$2.60	Two Free With 12
Libby Loganberries, No. 2 can \$2.95	Columbia Peaches, doz. \$2.70
Libby Fruit Salad, No. 1 can. \$3.50	Two Free With 12
One Can Free With 12	Libby Beets, doz. \$1.45
	Two Free With 12
CANNED FISH	ON THIS SALE:
Pioneer Minc'd Clams, doz. . . \$2.35	All Heinz, Libby and Van Camp Canned Goods
Tropic Oysters, doz. \$2.35	All Fish, Seafood and Canned Meats
Libby Red Salmon, No. 1/2, dozen \$2.65	All Beverages, Jams, Jellies, Fruits and Vegetables
Underwood Mustard Sardines \$1.75	All Package Crackers
Happyvale Pink Salmon, No. 1/2, doz. \$1.15	All Olives, Pickles, Macaroni and Spaghetti Canned
Booth's Sardines, doz. \$2.05	
Dumbar Shrimps, doz. \$2.10	
	PRICES ARE THE SAME AT ALL SEELIG STORES
	Notice the Brands, the Size, the Dozen Price
	More Than 300 Other Items on Sale

Lea & Perrins' **Chaffees** REDMARK MACARONI
Small30c 2 PKGS. 15c
Large55c
113 North Brand
TOMATOES
Del Monte Solid Pack, No. 2 1/2 cans. 16c
Limit one dozen

PEANUT BRITTLE
Chaffees Butter Brown. Made from best materials. Pound. 20c

Fresh Eggs, 28c
Dozen. 28c
FIGS
Black Cooking 35c
2 lbs.

SNOWDRIFT POSTUM
SHORTENING Cereal18c
1 lb.22c 4 lbs.80c Instant, 4-oz.20c
2 lbs.43c 8 lbs.\$1.55 Instant, 8 oz.35c

JELLIES—PRESERVES
Tea Garden, 8-oz. Glass Tea Garden, 15-oz. Jar
Raspberry22 1/2c Raspberry 37 1/2c
Strawberry22 1/2c Blackberry25c
Blackberry22 1/2c Currant20c
Plum20c
Quince20c
Apple20c
Braden's 15-oz Jar
Apricot25c
Blackberry29c
Fig29c

Mexican Tomatoes, lb.10c
New Potatoes, 4 lbs.25c
Alaska Rutabagas, lb.5c
Winesap Apples, 6 lbs.25c

"Where Is That Foreign Policy Collar Button" By Morris

Hoyt's California Adult Food
Nature's Tonic
A CONSTITUTIONAL BUILDER

Hoyt's California adult food increases assimilation, so that food when eaten is easily converted into blood and flesh. This food overcomes the condition of which so many persons complain. "I eat plenty, but food does not do me any good—I do not put on flesh."
Take Hoyt's California adult food, according to directions and watch your appetite, weight and general health improve.

Not a Diet and Does Not Contain Any Drugs.
Not a Stimulant

For persons suffering from the following ailments, this food is of indispensable value: General Debility, Tuberculosis, Mucos Colitis, or any condition acute or chronic, of impaired digestion or poor assimilation:

FOR SALE AT ALL DRUG STORES
Rich in Vitamines, Iron and Natural Salts
Wholesale Distributors:
Brunswick Drug Co. Western Wholesale Drug Co.

HOYT PURE FOOD COMPANY
Laboratory LOS ANGELES, CALIF.
OXFORD AVE. AT PICO

COMEDIAN TURNS TO CHRISTIANITY
Fred Stone's Conversion Is Seen As Link Between Church and Stage

By JOSEPH CORBETT.
For International News Service
SEATTLE, March 9.—With telegrams of congratulation and inquiry pouring in from all parts of the nation, Fred Stone, famous comedian, today looks as the logical figure to bridge the age-old gap between the church and stage.

Today Stone went into conference with his company manager in order to draft replies to the messages from theatrical friends, educators and interested persons in all walks of life whose telegrams have been arriving in a steady stream for the last twenty-four hours following the announcement that Stone had accepted the Christian faith. A series of such conferences, it was indicated, will be held with a view to determine how Stone can do the most good now that he had allied himself with the church.

"My first week of a Christian life has been the happiest I have ever known," declared the famous star in an interview. "My only regret is that I didn't take this step years before. But it is not too late to do a lot of good to others and to get much happiness, peace and comfort out of my own life from now on."

Asked why he made his confession of faith to the Methodist church, whose rules are opposed to the stage, Stone replied:

"I had no particular church in mind. I simply felt an urge to confess myself as a follower of Jesus Christ. I wanted to talk over my spiritual welfare. I was tired, very tired, of the old life. I wanted to become a humble follower of the Man of Nazareth and dedicate my life to his service."

"My parents were devout Christians, members of the Methodist church. It was their church affiliations largely that prompted me to join that denomination."

Stone expressed regret at the publicity his conversion has received and hopes that the public will not look on it as "press-agent stuff."

Share With Church
He plans to give ten per cent of his annual income, estimated at \$125,000, to the church, and according to local reports has already sent sums ranging up to \$100 each to a number of churches in the Northwest.

The famous comedian has no thought of leaving the stage, but believes that laughter is good for the soul. In an address before 400 Kiwanians of Seattle and Everett, Stone kept his auditors rocking with laughter and indulged in a few good-natured jabs at the Volstead act, proving that his religion is not of the long-faced variety.

His conversion is entered in the records of the Mountain View Methodist Episcopal church at Butte, Mont.

RADIO PHONE IS FRUIT OF YEARS
Still Work to Be Done, Says General Carty, Before Commercially Useful

By HARRY S. DENLINGER
For International News Service
NEW YORK, March 9.—Tales of experiments extending over a score of years to determine the possibilities of trans-oceanic radiophone communication which culminated recently in the successful transmission of spoken messages from New York City to England were told by General John J. Carty, vice-president and chief engineer of the American Telephone & Telegraph company, in an interview granted to International News Service.

While Carty declared that there are still difficulties to overcome before the "transatlantic telephone" would become a commercially accomplished fact, he appeared certain that this would ultimately be achieved.

"Somehow or another we are bound to have it," he said vehemently.

Better in Winter
"We have discovered through this series of experiments that talking 'gets through' better in winter than in summer, in daylight than in darkness and on some days than on others."

"When we know absolutely why these things are true, then we will be able to predict accurately the future of trans-oceanic radio."

The American Telephone & Telegraph has been conducting experiments in radio telephony for a score of years, Carty said, and has been working on the series of tests which resulted in communication with England in conjunction with the American Radio corporation for some time prior to the experiment.

"We first met with success in our attempts in 1915," he said. "In that year we succeeded in getting through to France, where our messages were received by observers at the Eiffel Tower, in Paris."

"Later in the same year we were able to talk to Hawaii."

Not Tube Alone
"Since then we have been continuing our research work, aided by the American Radio corporation, and with the vastly improved apparatus used last night, were able, of course, to get much better results."

Carty declared a popular impression that the success of the experiment was due solely to a new type of vacuum tube to be incorrect.

"It is a great deal more than that," he said. "The new tube is vital to success, to be sure, but communication really rests upon the use of a much improved transmitting device of which the tube is only a part."

SCHOOL FACULTY WILL BE GUESTS
Members Are Asked to Make Reservation for C. of C. Buffet Supper

Letters of acceptance to the teachers' buffet supper and entertainment that is to be held in the Chamber of Commerce auditorium tonight indicate that ninety teachers from the grade schools will be present and over fifty from the high school faculty, and it is the desire of the officials of the Glendale Chamber of Commerce that the members of the organization make their reservations at once in order that the preparations for the guests and the members may be completed in plenty of time and also that the directors may know how many will be present.

The teachers on this occasion will be the guests of the members of the Chamber of Commerce, and the idea that prompted the entertainment is to bring the citizens of Glendale into closer touch with the men and women who are educating the youth of the city and to show them that the parents and the substantial citizens are interested in having them take the place in this community to which they are entitled. The teachers in the local schools, it is stated, are one of the most potent forces in the city for development along progressive lines, and it is desired to make them realize that their

NEW PHONE NUMBER
GLENDALE 2950

Your Order for Feed and Fuel Promptly Delivered

GLENDALE FEED & FUEL CO.
Phone Glendale 2950 106 S. Glendale Ave.

"The Reason"

The best and model Factory of the world. Contented, profit-sharing workmen. The most modern Machinery. 365 different models. 38 years' experience. 2500 patents.

Enable us to give you a better Cash Register and for less money than any concern in the world.

National Cash Register Company
632-636 So. Hope St., Los Angeles
Phone 822-347 E. C. Bahr, Local Salesman

Special Committee on Unfinished Business

A special committee of the Glendale Chamber of Commerce, consisting of W. E. Hewitt, D. L. Gregg and R. F. Kitterman, met yesterday to discuss a number of matters that were left over at this week's meeting of the board of directors and that the directors were unable to dispose of in the time at their command. The meeting was held in the Harriet Mae Tea Shop on East Harvard street.

Fix Banker's Bond at \$30,000 in Auto Deaths

PHILADELPHIA, March 9.—Henry G. Brock, banker and society man, was held for the grand jury by the coroner in connection with the killing of three persons last Friday, by a speeding motor car, but was later released in \$30,000 bail.

Other Roofing Could Be Made As Good

There is no secret process of production which imparts to "Weaver" Roofing its superior service qualities.

Other roofing could be made just as good.

It is really a matter of first finding out by tests what materials will best withstand time and the elements regardless of their cost and then being willing to use these materials even at a sacrifice of profit margin.

"Weaver" Roofing lasts longer because of the honest quality that is built into it.

It could be made cheaper and you wouldn't know the difference for years. But you would eventually.

Tell your architect or contractor to specify "Weaver" Roofing.

Any Qualified Roofing Contractor Can Lay Weaver Roofing.

Weaver Roofing
"saves overhead"

Made in various grades, weights and colors for all types of buildings.
Manufactured by Weaver Roof Company, Los Angeles, California
Sylvester L. Weaver

KELLOGG'S BRAN
will free you from Constipation because it is ALL BRAN!

When health demands bran, get Kellogg's because it is ALL BRAN! It is scientifically prepared so as to give you relief that is possible of no other food. Fight constipation to the last ditch and fight it with Kellogg's Bran! Foods with a low bran content can never give constipation sufferers permanent relief!

Every delicious spoonful of Kellogg's Bran you eat—as a cereal, sprinkled on hot or cold cereals or cooked with hot cereals—helps rid your system of, constipation! It helps free you from dangerous toxic poisons which head you to Bright's disease, diabetes, headaches, rheumatism, dulled brains, bad breath, pimples, etc.

Kellogg's Bran assures permanent relief if it is eaten regularly—at least two tablespoonfuls each day; as much with each meal in chronic cases. Bran sweeps the bowel tract, cleansing and purifying in a natural way. It causes no distress or irritation—but gives positive action that will give the sufferer natural control.

Every member of your family can be saved from constipation by Kellogg's Bran. Realize what it means to health; understand also its great value as a body-building food! (Kellogg's Bran contains the important mineral salts and many of the vital food elements.) You can make up delicious baking-batches with Kellogg's Bran as well as using it with cereals. Recipes on every package.

Kellogg's Bran, in individual packages, is served by leading hotels and clubs. Ask for it at your restaurant. All grocers sell Kellogg's Bran.

Look for this signature
W.K. Kellogg

Kellogg's
the original BRAN—ready to eat

GETS FIVE YEARS
MAYENCE, March 9.—Herr Schwebel, a member of the Geisenheim council, was court-martialed by the French and sentenced to five years' imprisonment. In addition he was fined 15,000,000 marks for disobeying the Rhineland commission.

work is appreciated by those who have the interest of the city and its boys and girls at heart.

Hoover Names Head of American Rubber Probe

WASHINGTON, March 9.—The initial step in the investigation to be conducted by the government to determine if rubber can be grown on American territory was taken when Secretary of Commerce Hoover appointed Dr. Frank Surface to take charge of the work.

Rifles, Machine Guns Purchased by Soviet

COPENHAGEN, March 9.—Soviet Russia has ordered 3,000,000 rifles from Germany and Sweden, according to a report received here from Riga. It was also stated the soviet had ordered 125,000 machine guns from Czecho-Slovakia and forty airplanes from Germany.

SUBMIT REQUEST TO PAVE STREET

Magnolia Street Property Owners Ask City Council For Paving, Pipes

Proceedings for the paving of Magnolia street between San Fernando road and Los Angeles street with three-inch macadam and installing water pipe were started last night by the City Council.

A petition requesting such action was read by City Clerk A. J. Van Wie. It was signed by the following interested property owners: W. H. Curry, B. Collins, Jemina Wilson, Maurice Besse, Peter Mayu, J. W. Legy R. Bernardo, Guida Giannoni, Harry H. Richerd, Miami Dusso, James P. Lake, Mary Rolando and Mike Mantino.

Horse Wedged in Pump Posts Freed by Police

NEW YORK, March 9.—The police Rescue Squad was called out to extricate one of a team of horses which became wedged between the guard posts of a high pressure pump in West street.

Joseph Vanderveer of Brooklyn was driving a team of grays on West street, when one horse slipped on the ice and became wedged.

SCIENTIST TELLS TALE OF SPIDERS

Professor Alfred Cookman Reveals Facts From Lives Of Strange Animals

The story of the spider is the interesting tale of Professor Alfred Cookman, who is telling The Glendale Evening News readers. Herewith is printed the third article in the spider series.

By ALFRED COOKMAN
Of all of our little neighbors of the fields there are none that are more universally shunned and feared than spiders, and few that deserve it less.

There is a widespread belief that spiders are dangerous, that they are liable to bite, and that their bites are very venomous. One writer has said that "they strike to kill!" Now this may be true of certain large species that reside within the confines of the state of California; but the spiders of the temperate regions are practically harmless. All spiders bite, but very few species bite to kill, except in attacking insects upon which a large majority feed, and thus they help in checking the geometrical ratio of their rapid increase in numbers. Birds aid man in a similar way. A large majority of birds feed almost wholly upon insect-life. All birds and spiders have their part to play in the great economy of the earth, and it is a dangerous experiment to offset the balance of nature. A few degenerate species of spiders live a parasitic life feeding in the skin of mammals and sometimes migrating into the blood stream of the host. A series of complications is often set up and disease sets in and this may result in death unless properly treated. The science of sero-therapeutics has greatly reduced the effects of venomous injections and the immediate destruction of the parasites in the body of higher organisms.

Orb Weaver's Web
The study of the habits and characteristics of spiders reveals exceedingly interesting facts; for some of the most remarkable exhibitions of instinctive powers are presented by them. What product of instinctive skill is more wonderful than the web of an orb-weaver? He who loves the out-of-doors will find the interest incident to his walks greatly increased if he learns something of the habits of spiders.

The structure of spiders also offers attractive fields for study. This is especially true if attention be given to the correlation of structure and habits. As we find here the most elaborate spinning habits, so, too, we find here the most complicated organs for the production and manipulation of the silk which is spun. Spiders are known by their trades, i. e. sedentary spiders, cob weavers, line weavers, trap-door spiders, tunnel-web weavers, water arachnids, orb weaving spiders, triangular web weavers, ballooning spiders, bandits, robbers, burrowing spiders, lace weavers, watch-tower builders, etc. In each case the structure of the spider is specialized in a way that adapts it to its peculiar mode of life.

Many of these correlations can be readily seen by the comparatively untrained observer. The short and stout legs of the jumping spiders, the longer and more slender legs of the running spiders, the extra claw on each foot of those that cling to webs, the rakes of the chelicerae or jaws of the burrowing tarantulas, the pearly lustre of the "night-eyes" of those that live in dark places, and protective colors of many species that hide in the corolla of gorgeous-tinted flowers in the fields and gardens awaiting the approach of an unwary insect visitor, are all easily observed adaptations to peculiar modes of life. The medical experts are more interested in that group of arachnids infesting the skin of mammals. They are marvelously adapted to their mode of parasitic existence, sucking the warm blood of vertebrate animals. We are all interested in the most venomous species and we want to know all about their ways.

Large Collection
The writer has been deeply interested in spiders for a number of years. During the year 1921, nearly 2000 spiders have been added to my collection. A thesis was prepared and accepted by the University of Southern California, Los Angeles, and another degree was granted the writer. It has taken considerable time and effort to gather these spiders and arrange them systematically and in order, but the pleasure of out-door experiences among them in fields, in dense woods and near large bodies of water cannot be satisfactorily told in an article of this kind.

"Nature speaks a various language." Nature will unfold her pages of mystery to the casual observer if you have the seeing eye, the listening ear and an understanding heart. Let the spiders tell you their story. They have a right to live. They are of economic interest. They are of scientific interest, and there is an aesthetic phase that must not be overlooked for they exhibit the most marvelous skill of invertebrate engineering and their color-scheme, in body adornment, varies with the seasons, with the change of environmental influences, food, water, humidity, etc., and these changes in the color and pattern of the species shows up with splendor and you stand astounded with wonderment at nature's program.

The web is a snare to entrap insects. Those that do not spin webs have varied means of destruction. Their methods are cruel and their interest is direct and personal. They are cunning, clever and patient. They are shy creatures, fearing man more than any other creature. Only one species will affect human beings in the northern United States. There are many lessons we may

Princess Waits Table In N. Y. Restaurant



Princess Xenia Shakovskoy

Princess Xenia Shakovskoy, of the Russian nobility, is waiting on tables in the Russian Eagle restaurant in the east side of New York city. She had been in America a year, working to raise sufficient funds to bring her 5-year-old daughter and her parents from Constantinople, where they sought refuge from the bolsheviks. Her husband, Prince George, is employed as a laborer in an exporting concern. After a struggle of a year they got enough money to bring their daughter and her grandparents to America. The discovery of the princess revealed the fact that all the "help" in the restaurant are impoverished members of the Russian nobility.

RUHR VALLEY IS DEBATE SUBJECT

Glendale Students Will Meet Monrovia Orators in Double Header

Were the French justified in entering the Ruhr valley? This question will be settled tonight in a simultaneous debate between Glendale Union High school and Monrovia High school. Local debaters are: Miss Betty Higgins and Charles Worley, affirmative; Paul Cunningham and Fred Peck, negative. Miss Mary Gladys Corry has coached this debate. It is the last debate in the Central league.

CORN GAS

Corn or any material rich in carbon may be used for a burning bed over which a steam jet is blown and a gas generated while the vehicle is in motion, to run an English motor truck.

Flag Raising to Open Club's Housewarming

Activities in the new Tuesday afternoon clubhouse are to be formally opened Monday afternoon at 2:45 o'clock when a troop of Glendale Boy Scouts will take part in a short ceremony celebrating the raising of the flag over the new club house.

The flag raising will immediately precede the housewarming from 3 till 5 o'clock, when club officers and members will receive their friends in the new home. The flag, which is 5 by 8 feet, is a gift to the club from Mrs. John Robert White, chairman of the publicity committee.

Pastor of Wisconsin Files Divorce Suit

OSHKOSH, Wis., March 9.—The Rev. Edwin W. Todd, rector of Trinity Episcopal church here, filed suit for divorce from Mrs. Joanne B. Todd. The Rev. Mr. Todd demands possession and use of their home and custody of two children pending action of the court.

OFFER BARGAINS IN KITCHENWARE

Murphy Furniture Co. Offers Cut Prices Before Moving Store

Kitchen hardware is the big offering at the Murphy Furniture store at 1259 1/2-1261 South Brand boulevard, near Cypress.

There are two reasons for the store's big offering in this line, first because they are to move by March 15, and second that they are discontinuing the kitchen hardware department.

Big bargains are available in the stove department and a great sacrifice is being made in the sale of aluminum ware. "Everything is listed 'way below cost'" states the sale announcement.

New York was the first city of the world to have a passenger street railway.

Auction Sale Brings \$13,600 for 2 Houses

The property of Mr. and Mrs. A. L. Larson at 1231 South Orange street has been sold at auction for \$13,600. Two houses are on the property. The purchaser is a resident of Long Beach. Mr. and Mrs. Larson will build a bungalow home in Sunset Canyon where they expect to reside for the present. They also plan to build on lots they have purchased in the vicinity of the new Glendale Union high school plant, for investment.

Tiff Over Golf Ball Causes Divorce Suit

JERSEY CITY, N. J., March 9.—George A. Symon of Jersey City brought suit for divorce after four years of family strife, beginning with the loss of a golf ball on a country club links in September, 1919. Mrs. Edna C. Symon, his wife, quarreled with him over the encounter he had with his fellow golfers. Before Vice Chancellor Bentley in the Jersey City chancery court, he has charged Mrs. Symon with desertion.

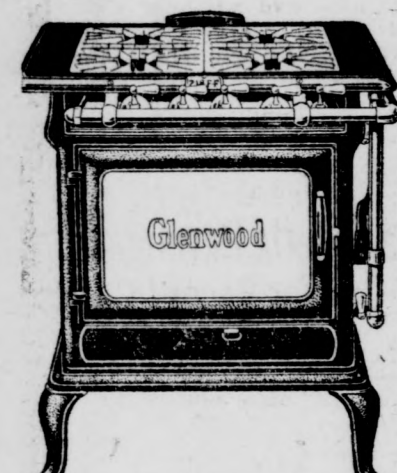
Representative Wanted

An Investment Syndicate, operating successfully in the Province of Santa Fe Springs, Oil Bonanza, are open to consider representation by live concern or individual in Glendale. Location, financing and personnel of the syndicate merit the most careful investigation, and to the right parties who can produce results, unusual cooperation and substantial backing will be offered. None but those who can come highly recommended need apply. This is an opportunity for a worker to establish a satisfied clientele and at the same time earn big money.

See MR. STURGES

Hollywood Oil Syndicate

1232 Lowes State Bldg. Los Angeles, Calif.
Before 10 and After 4 Daily



Glenwood Gas Ranges

Make Cooking Easy

They are the product of New England's largest and best known stove foundry.

They are designed by makers of long experience. They weigh more, are put together better and burn less gas.

The CASTINGS are wonderfully smooth and easy to clean.

The LININGS of the CVEN have excellent wearing qualities that will stand the intense heat and last much longer than the ordinary kind.

They are HANDSOME, convenient, and mechanically right—no modern features lacking.

We are offering as a special during our removal sale a limited number of the above ranges at the very low price of \$39.50 installed.

This range regularly sells for \$47.85.

We likewise are closing out several broken lines of appliances, room heaters, water heaters and gas ranges, preparatory to moving to our new location at 126 North Maryland avenue.

FOR QUALITY APPLIANCES see the

Southern California Gas Company

112 W. BROADWAY
112 W. Bdwy. Gl. 714



• Don't be fooled by the Creamery— Buy Butter Free From Chemicals Stop Feeding the Family Any Form of Quicklime

YOU want food—not chemicals—when you buy butter. But when you get butter that has been "neutralized" you get a butter that has been *chemicalized*. Most creameries are forced to treat their cream with lime or other chemicals in order to make it palatable for human consumption. This lime is used for the same purpose that soda is sometimes used in cream. When meat is stale—when it is so full of "acid" as to be offensive to the taste or the smell—when it is almost beyond eating—it can be made palatable by doctoring it with chemicals. It's the same with lots of butter. The cream may be days or weeks old before it reaches the creamery. It may be almost unfit for human use. But it can be saved by "doctoring it with chemicals." Then it is passed on to you as "fresh creamery butter." The creamery man says the cream is "high in acidity." He means that it is fully decayed. The creamery man says that by "neutralization" he gives you a better product. He means he has saved a mass of corrupt cream and made it pay him a profit. Don't be fooled by empty technical phrases. Get the **FACTS** about butter. You CAN eat "neutralized" butter. You can also eat rancid meat freshened with soda.

But most folks want good, fresh, wholesome food. And to be good and wholesome, butter must be made from *pure whole milk*—preferably it should be made the *same day* it is picked up *fresh* from the farmer or dairyman—and it **MUST** be picked up *every day* to meet all the requirements of a **GOOD BUTTER**. That's how **CLOVER GLEN BUTTER** is made. Fast motor trucks go out every day, bringing back *fresh, whole milk* to the creamery. And from this *whole milk* the creamery produces the *finest grade* of butter—a butter that meets all of the requirements of the *highest standards* for judging butter. It has a *flavor—a texture—a color—a quality* that is far *superior* to that of any other brand of butter to be had. Made from *whole milk*—under conditions such as few creameries can boast of—kept in perfect condition and delivered to you as *clean and wholesome* as the finest butter grandma ever made. Remember—there's just one whole milk butter offered for sale in Southern California cities. And that's **Clover Glen**—a grass-fed butter. Be sure and ask your grocer for **CLOVER GLEN BUTTER**. Don't accept a "neutralized" substitute. You pay for the best. Why not **GET IT?** True—there isn't enough of this pure whole milk butter to go around. If there were every reputable creamery would sell it. *But your pound is waiting for you.*

CLOVER GLEN BUTTER

Made from Whole Milk
E. L. THOMSON CO. INC. LOS ANGELES, CAL.

- #### CLOVER GLEN BUTTER CAN BE OBTAINED FROM THE FOLLOWING DEALERS:
- Little's Meat Market, 1601 Glendale Avenue.
 - E. R. Best, 1250 South Brand Boulevard.
 - Jones' Market, 1601 Glendale Avenue.
 - Anderson Grocery, 1420 San Fernando Road.
 - Gateway Market, 1750 San Fernando Road.
 - A. O. Gassman, 510 East Colorado.
 - Bungalow Grocery.
 - R. D. Estes, 207 North Brand.
 - Glendale Public Market, 222 North Verdugo Road.
 - Park Avenue Grocery, 1032 South Brand Boulevard.
 - O. H. Nome.
 - H. P. Tuellard, 681 East Colorado Boulevard.
 - Reynold's Auto Camp, San Fernando Road.
 - Melvin's Auto Camp, San Fernando Road.
 - Gardner & Son, 1011 East Colorado.
 - Basket Grocery, 108 East Broadway.
 - Quality Grocery, 144 North Brand Boulevard.
 - A. C. Peterson, 444 Los Feliz Road.
 - Kettle's Market, 1000 East Broadway.
 - Brand Grocery and Market, 543 North Brand Blvd.
 - Home Market, 836 South Glendale Avenue.
 - Fendt Delicatessen, 247 North Brand Boulevard.
 - Foothill Grocery, 1147 North Central Avenue.
 - Ralph's Grocery, 201 West Broadway.
 - Sebastian Grocery, 145 North Glendale.
 - Taylor's Grocery, 318 East Broadway.
 - West's Cafe, 130 South Brand Boulevard.
 - Glendale Grocery, 244 North Brand Boulevard.
 - C. F. Thrasher.
 - Ellenbrook, 4148 Park Dale Avenue.
 - Western Avenue Market, 510 North Western Avenue.

SPORTS

SPORTS CHATTER

By BILL UNMACK
PACIFIC SPORTS SERVICE

Last month in New York, Ralph H. Hills of Princeton university was credited with breaking the world's indoor sixteen pound shot put record. The mark credited to Hills was 48 ft 9 inches.

The record is more likely a new mark for the respective meet in which it was made. It is possibly not the world's record, as the late Ralph Rose has three marks in this event better than the figure claimed for Hills.

From 1907 to 1912 Ralph Rose was in the record breaking line. Every indoor meet Rose would break two and some three different shot put records in a night. He broke records with the eight pound, twelve pound, sixteen pound and eighteen pound shots with persistent regularity in these meets in San Francisco and in some of them a week or so later at Boston.

On January 5th, 1907, Rose first broke into the indoor sixteen pound record breaking line with a throw of 47 ft 5 1/4 inches. That stood as the record until January 12, 1909 when Rose threw the shot 48 ft 9 inches. Four weeks later, again competing for the San Francisco Olympic club, on February 5, 1909, Rose threw the shot 49 ft. 10 inches for a new world mark. This record stood for three years and all the time both Rose and Pat McDonald were shooting at it. On February 23rd, 1912 in the annual Olympic club meet Rose

TRACK MEET WON BY DORAN GIRLS

Athletes From Central Ave. Defeated by Score of 74 to 57

Doran girls on their home field Wednesday afternoon ran up 74 points against 57 made by girls of Central in another feminine track meet of the grammar school series.

The relay race was won by Doran with the following entrants: Dorothy Hill, Louise Stecher, Pauline Marsh, Josephine Smith, Grace Doty and Edith Wintersgill.

The junior division had the following winners:

Forty-yard dash—Edith Wintersgill, Doran; Mildred Thompson, Central; Bernadine Olson, Doran.

Thirty-yard dash—Lottie Hudson, Doran; Edith Kelly, Central; Catharine Fox, Louise Elliott, Frances Dundas, all Central; Helen Greenlaw, Ardis Widelick, Barbara Chandler, all Doran.

Volley serve—Mildred Thompson, Central; Edith Wintersgill, Doran; Lorraine Masters, Central.

Baseball throw—Frances Dundas, Central; Lorraine Masters, Central; Edith Wintersgill, Doran.

Basketball throw—Catharine Fox, Mildred Thompson, Frances Dundas, all Central.

Point winners

The intermediate section had the following point-makers:

Fifty-yard dash—Josephine Smith, Doran; Louise Vorwerk, Doran; Dwayne Paxton, Central.

Forty-yard dash—Pauline Marsh, Doran; Loretta Brane, Doran; Violet Hardin, Central.

Baseball throw—Pauline Marsh, Doran; Mae Goetz, Central; Villet Hardin, Central.

Basketball throw—Pauline Marsh, Doran; Louise Vorwerk, Doran; Mae Goetz, Central.

Senior Victors

The senior section had the following place-takers:

Fifty-yard dash—Josephine Smith, Doran; Louise Vorwerk, Doran; Dwayne Paxton, Central.

Forty-yard dash—Jean McKee, Doran; Mary Shimmel, Central; Louise Stecher, Doran.

Volley serve—Jane Criswell, Doran; Hazel Howard, Central; Grace Doty, Doran and Marian Morgan, Central.

Baseball throw—Hazel Howard, Central; Betty Goodrich, Central; Jane Criswell, Doran.

Basketball throw—Tie, Jane Criswell, Doran, and Marian Morgan, Central; second, Margaret Campbell.

RED SOX LEADER DEFIES JOHNSON

Harry Frazee Scorns Threat Of Banishment by League Head

By DAVIS J. WALSH
For International News Service

NEW YORK, March 9.—Neither Ban Johnson nor the enraged natives of Boston can or will run him out of baseball, Harry Frazee declared today in reply to persistent reports from Chicago that the American league president is arranging to banish him to the outer darkness of baseball's forgotten.

Not that he wouldn't sell the Red Sox at an attractive price. That would be quite another matter. You can buy Mr. Frazee's hat if you take a fancy to it, provided you say it with greenbacks in sufficient profusion. But he still has his hat and ball club and means to keep both until further notice. That much he has made clear in denying that Ban Johnson has mustered sufficient support to oust him from control of the Red Sox and had even gone so far as to arrange several conferences with Frazee so that they might haggle over the details in the friendly, gracious manner of two bulldozers.

Will Keep Team

"I haven't seen Johnson nor heard from him since the American league meeting," was Frazee's statement. "I do not expect to see him. I will say, however, that I would take it right friendly of him if he has lined up a prospective purchaser for me with enough money to make me listen. I am not interested, otherwise, for I regard the Red Sox as a valuable bit of baseball property and mean to stick with them."

It is said that Johnson wants to place the Red Sox in new hands to overcome the effect of Matty buying into the Braves.

Of this question Frazee seems to entertain but slight doubt. In fact, in that expansive way of his, he gives the impression that he will be vastly disappointed if the Red Sox do not climb right out of the cellar into the first division.

Punch and Speed

Frazee said he understood that Frank Chance meant to start the season with an infield composed of Burns, Fawcett, Mitchell and McMillan and that the outfield would be taken care of by Melnoskey, Harris, Collins, Leibold, Shanks and several others.

Shanks, he said, would be ready to fill in anywhere.

"There is just the proper proportion of punch and speed in that lineup," he added. "Pinch, who will do most of the catching, is a better hitter than Ruel and I don't think any one will deny that my latest deals with the Yanks have strengthened my staff of pitchers. Murray looks like a great right-hander; O'Doul will fire us more service than the Yanks got out of Pennock and then there is Elmke and Holling from the Tigers to help in rounding out the staff. Jack Quinn, always a fine spring pitcher, and Alex Ferguson and Bill Piercy are promising youngsters who may arrive at any time."

Colored Boxers Cause Halt of College Bouts

SAN FRANCISCO, March 9.—A sensation was caused in athletic circles yesterday afternoon when it became known that Stanford University had called off intercollegiate boxing bouts scheduled for tonight with the boxing team of the University of California because of the fact that mixed bouts would have been involved.

There are two colored men on the University of California boxing team, Errol Johnson, a lightweight, and Meivin Johnson, heavyweight.

The Stanford authorities, in a statement issued through W. H. Barrow, director of athletics, said it was not desired to raise the color line, but that mixed bouts could only result in ill feeling.

Eddie Collins Is Not Holdout, Now Belief

MARLIN, Tex., March 9.—White Sox teammates of Eddie Collins, famous second baseman, today were inclined to doubt reports that Collins may be a hold-out.

The amount Collins has been getting for the last eight years with Chicago is the same, it is believed. He is reported to have asked for a \$2000-a-year raise. He has not reported at the training camp, but generally is a late starter, as he is easily conditioned.

Police Stop Willard From Sparring Bout

KANSAS CITY, Mo., March 9.—Jess Willard, former heavyweight champion of the world, will not show his wares in Kansas City. Police issued a stop order just before the Kansas "Cyclone" was about to jump into the ring for a sparring bout with his two partners for the edification of the fans present. The order preventing the exhibition was issued by Commissioner of Police Wilson, who said there is a state law against such exhibitions. Willard left the ring.

Pezek Annexes Two Falls From Mondt

KANSAS CITY, Mo., March 9.—John Pezek, Nebraska, took two falls out of three in his wrestling match here last night from Joe Mondt in a rough match. The Nebraskan won on straight falls, using a bar arm lock and head scissors in both instances. The first fall took one hour and fifty minutes, and the second twenty-nine minutes.

In a preliminary, Dick Daviscourt and Jim Lonos wrestled an hour to a draw.

FIGHT RESULTS

AT NEW YORK—Johnny Leonard, Allentown, Pa., won from Sid Hart, Canada, 12 rounds.

AT PASSAIC, N. J.—Lew Hurley, New York, beat Claude Wilson Memphis, 12 rounds.

AT BROOKLYN.—Kid Sullivan bested Dutch Brandt, 12 rounds; Italian Joe Gans won from Sailor Joe Kelly, ten rounds.

AT MERIDEN, CONN.—Kid Caplin, Meriden, defeated Babe Herman, California, twelve rounds; Willie Davis, Elizabeth N. J., won from Jimmy Cooney, Holyoke, Mass.

Fourteen hundred and fifty piles, from forty-six to seventy feet long and treated by a cement gun, were used with success to take the place of reinforced cement at the port of Tacoma, Wash.

Expert Warns U. S. of Rival Navies' Growth

WASHINGTON, March 9.—The United States must choose between the expenditure of \$300,000,000 to attain her "second to none" navy, as authorized by the 5-5-3 treaty, or accept a naval position of marked inferiority. Captain Frank H. Schofield, U. S. N., one of the best-informed naval experts in America, declared.

Fearing the United States is "swept by an emotional generosity and trust in international affairs not consistent with our ultimate well-being," Schofield declared that the American navy is far out-distanced by the powerful British fleet, while Japan is rapidly building fast cruisers and submarines which can visit the Pacific coast of America and return without refueling.

La Follette Revenged On War Record Critics

MADISON, Wis., March 9.—The assembly concurred by 81 to 11 in a resolution adopted in the senate, condemning 500 University of Wisconsin faculty members for signing a round robin in 1918, denouncing the war stand of Robert M. LaFollette. The senator's followers waited five years to obtain his vindication in the legislature.



The Sport Crucible
By Davis J. Walsh
International News Service Sports Editor

NEW YORK, March 9.—The spectacle of cowboys in chaps, spurs and two-gallon hats, indulging in that polite pastime known to the drawing room element as polo, may be presented to eastern society at Meadow Brook, Piping Rock, Newport, Narragansett Pier and other cultured points, if the citizenry of Casper, Wyo., may be permitted a voice in the matter. Polo is not one of the popular dissipations, but, since riding a horse seems to be included in the game's activities, they are inclined to believe that some few of the natives might qualify.

That, at any rate, would appear to be the idea of one Weed Dickinson, Casper's local cratic and general exhorter. The worthy Mr. Dickinson is a former New York sports writer, and occasionally he is seized with notions. He thought this one out all by himself.

It seems that they are to have a rodeo at Casper in the more or less immediate future, and Brother Dickinson would round up the various winners and inform them outright that they are polo players. In case some malcontents may be disposed to doubt his word Mr. Dickinson further plans to produce a coach from the Southern California colony and have the latter spend some months training the natural aptitude of these gentlemen of cows into the proper channels. This done he would send his outfit east to take on all comers, and in consequence of the astounding exhibitions of skill and daring the name of Casper would roll off every tongue with gratifying regularity and extreme relish. That's the kind of a mouth-organ Brother Dickinson is.

"We would like to send back east a nice little group of riders

—and they can what I mean ride—who have some slight knowledge of polo, to play with the boys," says he in his unique way. "It might lead to a few easterners discovering that Casper is a town instead of a medicine."

In pursuance of this thought he is even now in correspondence with various eastern polo managers, and expects to strike a fair average by way of encouraging replies. The fact that Casper's noble sons seek other than to keep railroad conductors, waiters and hotel clerks in a good humor may be an abiding influence to this end.

In passing it might be said that, irrespective of our friend's oratory, the natives of Casper seem to be a wind-driven lot.

"The wind blows so hard," remarks our correspondent, "it forces the conversation right back where it originated, and most guys carry a typewriter through the streets and write what they have to say. The wind stopped for five minutes the other day, and everybody fell down!"

And that's the kind of a mouth-organ friend Dickinson is.

'Stuffy' McInnis Signs With Boston Braves

BOSTON, March 9.—John (Stuffy) McInnis, lately released by the Cleveland Indians and formerly of the Boston Red Sox, has signed up for two years with the Boston Braves, it was announced here. McInnis was a member of the Athletics several years ago, when that team was considered a "wonder" team.

Do your shopping in Glendale

GLENDALE BEATS HOLLYWOOD HIGH

First Practice Game of Baseball Season Ends In 4 to 0 Victory

Glendale Union High School's baseball team journeyed to the Hollywood High School diamond yesterday afternoon and with a score of 4 to 0 won the first practice game of the season.

"Bob" Bradbury, pitcher for the local team, struck out eight men. This is considered some record by Coach Howard Butterfield, who witnessed the game. He stated that all four runs were made on "squeeze plays."

The line-up for the local team was as follows: Elmer Muff, second base; Leslie Lavelle, first base; Ray Geib, left field; John Lovell, short stop; Jack Dotson, third base; Paul Edmonds, catcher; Wesley Pomeroy, center field; Gordon Bartow, right field.

Substitutes were: Carl Denny for Gordon Bartow; Pete Keogh for Jack Dotson; Harold Thompson for Wesley Pomeroy; Don Dietrich for Carl Denny, and Fred Gonzales for Harold Thompson.

Rube Benton Goes To Cincinnati Reds

CHICAGO, March 9.—Rube Benton, absolved of charges of crookedness in baseball, will report to the Cincinnati Reds immediately, it was announced today. The sale of Benton by the St. Paul American association club to the Reds received the official seal of approval from Commissioner Kenesaw M. Landis, to whom the "mazy situation" involving Benton had been put for a decision.

Benton, formerly New York Giants star pitcher, has been in the minors two years. It was declared he had been deliberately "eased out" of the majors because of charges, never proven, that he had advance knowledge of the throwing of the 1919 world's series on the part of the Chicago White Sox.

Landis characterized the holding of Benton in the minors as an action "at war with every conception of justice and fair play."

News want ads produce results.



THEATRES

The GLENDALE The T. D. & L.

"Secrets of Paris," now showing at the Glendale Theatre, offers lovers of the vivid an unforgettable treat. Taken from a novel by Eugene Sue, that in itself was read by hundreds of thousands of people, and made by Charles C. Burr and Whitman Bennett into a dramatic film, it is no wonder it is attracting the attention of picture audiences everywhere.

The cast includes Lew Cody, Montagu Love, Buster Collier, Dolores Cassinelli, Effie Shannon and many others.

In the role of the Prince, Mr. Cody has a part that gives him that which he most craves, and which he does best—the romance lead. He brings you back to the days when romance was at its height.

"Missing Millions," in which Alice Brady returns to the screen after a year's absence devoted to stage work, is a thoroughly exciting and well-filmed crook melodrama. It is a Paramount release, directed by Joseph Henabery, from a group of stories by Jack Boyle.

Particularly thrilling is the fight between four thieves for possession of a consignment of gold in the strong-room of an ocean liner. Other high points are the daring theft of a famous gem at a fashionable party; an attack by a thug and the rescue of the victim; a clever plot to rob a steamer of a cargo of gold; and the cross-plot of another group of thieves striving to get the gold.

Subscription Promotion Drive

WITH a daily circulation of 6000 now, it is the ultimate aim of The Evening News to place a copy of the paper in every home in Glendale and vicinity.

Friends of The Evening News are joining with us in this successful subscription-getting drive.

This is the way you may help us: Pay 50 cents for a three months' subscription for yourself, and 50 cents for a three months' subscription for a friend who is not now a subscriber and each of you will receive The Evening News for three months.

This means if you are not now a subscriber you may become one for a period of three months by paying 50 cents for your own subscription, and prevailing upon a friend who is a non-subscriber to pay a like amount for the same period.

A person who is now a subscriber may have his subscription date extended three months upon payment of 50 cents when such payment is accompanied by 50 cents for a three months' subscription from a non-subscriber.

READ THE FOLLOWING CAREFULLY

- 1—The offer as given above will remain in effect until April 1, 1923.
- 2—Write the names of subscribers and the address legibly.
- 3—Names for mailing list will not be accepted at this special offer.
- 4—Cash must accompany the order in every instance.

Address all communications to Subscription Department, Evening News, 139 South Brand Boulevard, Glendale, Calif. Phone Glendale 132.

A Great Outstanding Historic Event
in the Forward-March of Glendale

NOW!—AT LAST!

The wonderful Thom property
in the heart of Glendale
THROWN ON THE MARKET
at rock bottom prices.

BELLEHURST PARK

Glendale people, there is still time
if you HURRY to get a choice selection before we start our big advertising campaign in the Los Angeles papers.

Opening Sale Now On For Glendale People Only

Not a single man or woman in the whole city who has a little money to invest, can afford to stay away from Bellehurst Park.

Come Saturday—Come Sunday

Walter H. Leimert Co.

Tract Office—Dryden Street, 2 blocks east of Brand Boulevard.
Glendale Office—246 South Brand Boulevard at Colorado Blvd.
Telephone Glendale 3098 for Maps and Prices.



Visions of home and happiness

"Some day I'll be asked to move, So you bet it doth behave Me to heed the 'OWN HOME' sign, Cop a place that's mine—ALL MINE, Pay the derved rent to myself, Use a little of my pelf Buying things I like—and need, Ere I really go to seed— Gosh! I'd like to own some loam On which I could build my HOME! And I can, too, if I try Long ere 23 flips by."

When you build insist on having—

BENTLEY'S BETTER Finish BETTER Hardwood Floors BETTER Roofs

Free Plans and Building Information In Our Up-to-Date Service Department

Bentley Lumber Co.

460 West Los Feliz Road

Glendale, Calif.

SCORES PLOT TO CRIPPLE BUDGET

'Political Educators' Draw Fire of Governor's Supporter

Editor Evening News:—If anything was needed to convince the people of California that Governor Richardson was right in his allusion to "political educators," the action of the school authorities since the publication of the governor's proposed budget furnishes this requisite. From the office of the state superintendent of public instruction the word seems to have gone down along the line, "Knock the Budget," and, in obedience thereto, the knocks are heard.

The legislative committee of the California Teachers' association, at its meeting last Monday in Los Angeles, adopted a resolution, with which it was so well satisfied that it was agreed to send copies to various persons, for legislators and civic bodies generally. Hence this publicity. The preamble of this resolution is clearly anti-Richardson in that it throws the following bouquet at an administration which the voters of California by a large majority discredited at the polls. Hearken!

"Whereas, The public schools of California, in the course of years under the nurturing care of the succeeding governors and legislatures of the state, and under the wise direction of the state board of education and the superintendent of public instruction have attained the highest national standing in the training of boys and girls in all the elements recognized as essential and desirable in education, etc."

"Economy" Unknown The remainder of the resolution is devoted largely to assertions which rest for their veracity upon a very much prejudiced body of citizens, to whom, judged by their record, the meaning of the word "economy" is unknown; and are disputed by persons who have made a business of informing themselves upon the points at issue. And at the head of this latter class is the governor of the state, the first really independent executive which this beset-ridden commonwealth has known for these many years, and who, by reason of his intimate experience in the state government in other public offices, has had exceptional opportunities to inform himself in regard to the subject of the waste of the people's money and the political rat holes into which so much of it has been emptied. As between the governor and the political school authorities, it is evident that the people have already made their choice.

The resolution explains how it was that the former governors who are so highly commended managed to keep state expenses up to an unimpaired scale of wasteful expenditure. It was because they had the support of this strong political organization, which was always willing to stand for any program of expenditure as long as the budget contained the full amount of money that their extravagant ideas demanded.

Wasted Lobby Work The writer of this communication spent one winter in Sacramento during a session of the legislature, in close touch with all of its workings, and saw the educational lobby work hand in hand with a corrupt delegation from San Francisco, helping it put through a great part of its program in return for its support for the measures that the educators asked for. The state has gone through an era of "reform" since that time, but there has been no evidence given showing that the old method of obtaining appropriations for the holy cause has in any way been improved, unless possibly it has been made more efficient by an organization which has since been built up in every school district with the ostensible object of bringing voters and teachers closer together; in which organization the lead of the political educators is always followed.

If the leadership of the governors, the board of education and the state superintendent of public instruction has been marked by such great wisdom in the era which now appears to have ended, there are iconoclasts among us who will welcome, for a change, a leadership of unwisdom! If the present school system is training the boys and girls in all the elements recognized as essential and desirable in education, it is time that the people of California ask themselves seriously, what are the most essential things in the building up of good citizens? If we put the matter differently and ask, what is the one thing necessary to achieve this object? the political educator answers unhesitatingly, "more money."

If the citizens of the community in which the question may be asked agree with this answer, they will find no fault with any demand which the political educator may make.

J. C. SHERER.

Brooklyn Woman Atty. Wins Tilt on Bigamy

NEW YORK, March 9.—Acting as her own lawyer, Mrs. Louise Young of Brooklyn appeared before Supreme Court Justice MacCrate in Brooklyn.

She succeeded in frustrating an attempt on the part of the man who married her when he had a wife living to gain possession of their child, Alfred, 7. With the court's permission, she cross-examined the father, Arthur Young, after examination by his attorney, proving he had served time for bigamy. She then took the stand as her own witness.

The court refused the father's request for custody.

ASK CHANGES IN BELLEHURST MAP

Subdividers Will Modify Curve of Streets in Part of Tract

"The Battle of the Wash" was fought last night in the presence of the City Council.

A map of the new Bellehurst tract was tentatively approved by the City Council upon recommendation of Councilman Dwight W. Stephenson following a debate on the subject from the floor, during which an agreement was reached that the south ends of the streets in the tract ending at the north side of the Wash should be curved so as to be directly opposite the north ends of the streets on the south side of the Wash.

The menace of the Wash was portrayed verbally by Edward M. Lynch of 408 North Jackson street, who plotted the tract. He said that arrangements had been made for several bridges across the Wash, but that he did not believe the time would ever come when there would be a bridge at every block. He stated his opinion that it would be highly desirable to conceal the Wash as much as possible by trees and shrubbery and protect the lower country to the southward from any danger of storm waters overflowing the banks of the Wash. He called attention to the flood of 1914.

Hearers Interrupt Mr. Lynch's speech on the subject, which was somewhat lengthy, was interrupted from time to time by members of the audience who asserted that they could not see what the Wash had to do with "dead end" streets. They made evident their opposition to the map which was tentatively approved by last Thursday's session of the City Council.

Walter Leimert recently from Oakland, subdivider of the property, said that he had no desire to antagonize the "lot of home owners." He expressed an interest in the community and a desire to do nothing to the detriment of Glendale. He readily agreed to modifying the map to meet the approval of protestants. The North Isabel Street Protective League was represented at the meeting by L. A. DeYoung of 720 North Isabel street, Dr. Waldo Richardson of 716 North Howard street, W. F. Carroll of 635 North Isabel street, A. L. Carroll of 711 North Jackson street, Frank Faatz of 725 North Isabel street, and W. R. Ream of 712 North Isabel street. All of them took part in the discussion.

MOUNTAINS ARE ALIVE

Mountains of the Pacific coast and in a great belt which reaches across Asia and the Mediterranean, are alive and still growing, while those of the Atlantic coast are dead, says Dr. Barley Willis, professor of geology at Stanford University.

Your Neighbor with the Laughing Eyes

You may not recall her but you have met her just the same. Her eyes are always laughing—always ready to smilingly greet her husband and children—always making light of kitchen work that is drudgery to others.

She is loved and envied by everybody. Her secret is really not a secret at all. Thousands of women know it. You will find it in her modern kitchen—her work shop. The dreaded bugbear of long hours of laborious work has no place in this beautiful room. She has modern appliances. She does her work systematically—quickly—happily. A few hours and it is finished.



In the place of honor stands the wonderful Direct Action Range. It is the center of all her operations—the time-saver and work-saver upon which she depends in everything she does.

Why has she chosen the Direct Action? For the same reason that thousands of other women prefer it. For the same reason that you will select it—because it is a range made through years of experience to meet your needs—with features that are necessary to save time, work and fuel. Is your kitchen work beginning to tell upon you? Are you needlessly tired when evening comes? Why not let this beautiful and practical range do some of the work for you?

In sparkling, sanitary, white enamel or in the beautiful art black, it costs no more than any good range. And we will gladly arrange terms to suit your income.

See us today. Let us show you and demonstrate for you the many features we have described. Then try one in your own home 30 days, free.

DIRECT ACTION GAS RANGES NO BOTTOM IN OVEN DIRECT ACTION GAS RANGES

OUR FREE SCHOOL OF COOKERY is the greatest message of service for women to be found anywhere; we want your cooking problems. Our school is your school. Special for Saturday's lesson: Pie crust from hot water, directed by Mrs. Howard of Women's Exchange, Pasadena. Don't forget the six free ranges.

COKER & TAYLOR

PLUMBING & HEATING

209 South Brand

Glendale 647

Open Sat. Nights

NEWS WANT ADS BRING RESULTS

CLOSING OUT SALE

of Kitchen Hardware

WE MUST GET OUT BY MARCH 15th

Everything Below Cost

We are discontinuing our Kitchen Hardware Department, and we must sell every piece of merchandise before March 15th. Never before in the history of this store have you seen such bargains.

Big Bargains in Our Stove Department

Combination Gas Electric Buck Range; large 18-inch Oven, four Gas Burners, large Fireless Cooker; all White Enamel—

Regular Price \$187.50. **\$148**
Closing Out Price

Three-Burner, Large Oven, Buck Range

Regular Price \$22.00. **\$16**
Closing Out Price

ALUMINUM WARE

The Famous Charter Oak Range; all White, Grey or Blue Enamel; large 18-inch Oven and large Broiler—

Regular Price \$110.00. **\$75**
Closing Out Price

Dish Pans, Stew Kettles, Double Boilers, Roasting Pans, Sauce Pans—these are

Valued Up to \$2.00. **98c**
Closing Out Price

Folks, there are so many Bargains here that it would take a whole newspaper to tell about them, so come in and see for yourself. Everything is listed way below cost.

MURPHY'S for Furniture

1259 1/2-1261 South Brand Blvd. (Near Cypress) Phone Glendale 1397-W

We Deliver—Open Tuesday, Thursday and Saturday Evenings

PIGGLY WIGGLY

All Over the World

115 So. Brand Blvd., Glendale, Calif.

Jell Well All Flavors 9c

Roman Meal . . 30c

Shredded Wheat 10c

Com. Meal 5 lb. bags 22c

White or Yellow

Salmon-San Wan, 1 lb. 30c

Salmon-Red Alaska, lb. 25c

Shrimp, Dunbar 17c

R.R. Boned Chicken 55c

Libby's Veal Loaf 22c

Shortening

S N O W D R I F T

1 pound . . . 22c

2 pound . . . 43c

4 pound . . . 82c

8 pound . . \$1.55

JAMS

Tropic Brand

Plum Peach 2 1/2 lb. jar 45c

Apricot Fig 2 1/2 lb. jar 68c

Strawberry Raspberry Blackberry Loganberry

MEAT DEPT. Furnishes the Finest That Money Can Buy

Fruits and Vegetables

CARROTS | SPINACH | LETTUCE | TURNIPS
4c Bunch | 3 Bunches 10c | 3 Heads 10c | 4c Bunch

Magazine and Feature Page

HINTS FOR THE MOTORIST

by ALBERT L. CLOUGH
Editor Motor Service Bureau Review of Reviews

Questions of general interest to the motorist will be answered by Mr. Clough in this column, space permitting. If an immediate answer is desired, enclose self-addressed, stamped envelope.

IS IT THE VALVES OR THE RINGS?

Locating the Leaks that Prevent Compression Retention

When the Gas Escapes from a cylinder, as it is hand-cranked through its compression stroke, leakage must be taking place at the valves or between the piston-rings and the cylinder walls; assuming that the gasketed joint between the block and the cylinder head is perfect, the spark-plug sound and tightly seated in the cylinder and the priming-cock, if any, free from leaks around its threads or at its valve. If it is absolutely certain that both valves are ground to perfect seats, that their springs are acting properly, that their stems are perfectly free in their guides and that there is sufficient clearance between push-rods and valves to permit full closing, there should be no possibility of leakage past them. However, it is very difficult to be perfectly sure that the valves are blameless. The hissing escape of gas passing the piston rings can usually be heard by listening to the oil filler neck or breather, if one end of a piece of rubber hose is slipped into or over it while one listens at the other end as another person cranks the engine slowly. When the oil pan has been removed is a good opportunity to detect piston ring leaks, as the gas escape can be readily heard from under the engine. Fair tests can be made only when an engine is warm and the cylinders normally lubricated. The "blow-back" through a leaky inlet valve can sometimes be heard by listening at the carburetor air-intake, while the cylinder is cranked through compression, the rubber hose above mentioned being used as a sound conveyor. If the carburetor is removed and a candle flame held at the intake port of the block, it will flicker outward during the compression stroke. Leakage at an exhaust valve can hardly be positively determined without removing the exhaust manifold, which is not a difficult proceeding in most cases. With the manifold removed and the ports exposed, listening or the use of the candle flame will show whether gas escapes during the compression period. If piston rings and the inlet valve are demonstrated to be tight, the obvious conclusion is that the exhaust valve is at fault. Leaks around spark-plugs and priming-cocks and around the valve-caps of engines without detachable heads are best detected by the formation of bubbles in oil which has been flowed over their joints.

WIRING DEFECTS AND FIRE HAZARD

W. H. H. asks: Do you consider it possible for a car to be set on fire by any defect which could develop in its wiring. The reason why I ask, is that a neighbor's car and garage were recently entirely destroyed and some people laid the fire to this cause. Answer: If insulation fails on a live wire comes into contact with a grounded part of a car, the very heavy current which flows through the short-circuit thus created may so heat the wire as to set its insulation on fire or the spark at the point of contact may ignite gasoline vapor. In the case that you cite, it may have been that the ignition switch was left on and that the resistance unit finally burned out (as has sometimes happened) a spark being then produced, which ignited gasoline from the carburetor, which may have been leaking. However, the likelihood of a car taking fire from electrical defects, when no one is about, is very slight, the effect of moisture on the insulation being the only factor that would be likely to cause a short-circuit.

TROUBLE WITH BREAKER POINTS

E. G. H. writes: I am having trouble with the rapid burning and wearing away of the breaker points of my distributor. The engine runs perfectly, so long as the points are right, but it is only a short time before they get so black and ragged that it begins to miss. What do you advise?

LEWIS C. DAVIS

Shades, Linoleums, Curtain Rods, Linoleum Rugs
Measurements Taken and Estimates Gladly Given
210 E. Broadway, Glendale 2012.

50,000 HOME GROWN FRUIT TREES

Berry Plants, Walnut Trees and Grape Vines, Apple, Peach, Pear, Apricot, Plum, Nectarine, Etc., 55c each, \$5 per ten. Walnut trees, 50c and up, according to variety, size and height. Lemon trees, 1 to 2 inch galls, \$1.75 each. Orange trees, \$2.00 each. Burbank and Corey Mammoth Thornless Blackberry Plants, 15c each, \$1.25 per ten. Strawberry Plants, all varieties, 75c per 100 plants.

SNYDER NURSERIES

OLDEST IN BURBANK
Tel. Burbank 122-3. License No. 624. 721 West San Fernando Boulevard, Opposite High School, Near Cor. Central Ave.

ROOFING

New Composition Roofs Laid, Old Roofs Rebuilt or Repaired. Material and Labor Fully Guaranteed. Estimates Cheerfully Given.

BENTLEY LUMBER COMPANY

Glendale 49 460 West Los Feliz Road

AUTHORIZED Ford DEALER

YOUR OLD FORD TAKEN IN TRADE, BALANCE MONTHLY. Parts, Repairs, Accessories.
JESSE E. SMITH 118-125 W. Colorado St. Glendale 482

ROBINSON BROS. TRANSFER

FIRE-PROOF STORAGE CO. R. Phone Glendale 428. Night Phone 1028-J. 304-306 SO. BRAND BLVD., GLENDALE. PACKING MOVING VANS SHIPPING

AUTO BODY and FENDER REPAIRING

BAKED ENAMELING and AUTO TOP WORK
Glendale Auto Body and Fender Shop
Rear of 188 South Brand Phone Glendale 964-J

Daily News Letter

General News and Gossip from Staff Writers at Home and Abroad.

TODAY—Crime is decreasing, but the high cost of living soars steadily upward in Paris, writes Alice Langelier.
TOMORROW—The spirit of the days of '49 still prevails in California, writes William G. Cayce, Los Angeles correspondent.

By ALICE LANGELIER
For International News Service

PARIS, March 9.—Crime in Paris is on the decrease, according to figures given out by the police headquarters. In 1920 attacks on the person numbered 294; in 1922 this number went down to 92. Murders, two years ago, numbered 262 and in 1922, 191. Motorcar thefts were nearly three times as numerous in 1920 as in 1922, but assaults were almost equal in number.

But if crime is decreasing, the H. C. L. is ever on the uphill. Since 1914 food in Paris has increased in price 188 per cent, clothing 226 per cent and rent 75. For a family of four, the regional commission declares, living expenses are 189 per cent higher than in 1914.

All Paris cannot go to the seaside, so plans are under way to bring the beach to the front door of Parisians. Civic groups are looking for pleasant sites along the Seine where swimming beaches can be prepared. The number of swimming pools inside the city is very small and the cost of cement bathing places almost prohibitive. If the scheme can be worked out many children and adults will have a pleasant summer without traveling many miles to Summer resorts.

"Gay Paree" justifies its title in the annual report of the Prefecture de Police. In the French capital and the Seine department there are 657 buildings licensed as theatres or music halls. In 1921 there were but 541. Licensed dancing establishments numbered 757, 216 where instrumental music may be given and 776 others which have automatic musical instruments.

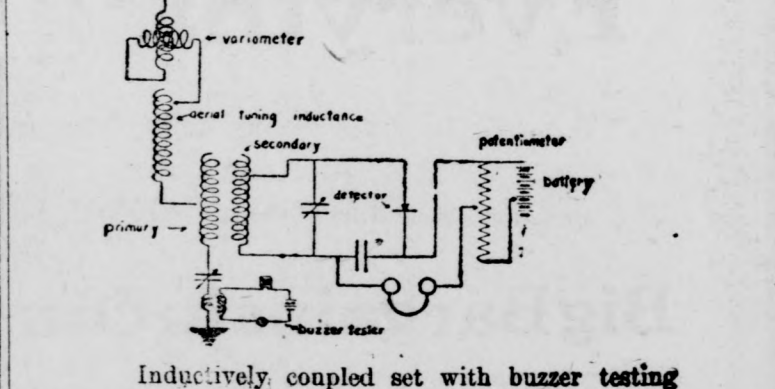
"Where the goat is tied, there must be feed," declared Madame Robert before the Correctional Court of Fontainebleau last week. One bright day Madame led her goat to pasture on a little slope near the railway track. Attached to it to a stake, as was her custom, she went back to her house-work. Left to himself, the goat roamed around and soon succeeded in pulling up the stake. The cord wrapped around a signal disc and heaved it. Attached to three fast trucks were stopped, for the disc gave this indication. Luckily there was no tragedy, which would have been produced if the signal had read "way clear," and Madame Robert got off easily enough upon paying a little fine of about \$1.50.

M. Peru, the last of the pupils of Chopin, is dead in his flat in the rue du Dragon. He was a distinguished and successful concert pianist during his younger days and had collected a comfortable little fortune, which, however, was found dead in her dirty garage last week. Arrangements have been made by the merchant marine whereby quotations will be sent out from the Eiffel Tower as well as from the Paris Bourse.

Marie Rouillardt, aged 82 years, was found dead in her dirty garage last week. Arrangements have been made by the merchant marine whereby quotations will be sent out from the Eiffel Tower as well as from the Paris Bourse.

RADIO DEVELOPMENT

BY LIEUT. JOHN R. IRWIN
U. S. AIR SERVICE (RESERVE)



Inductively coupled set with buzzer testing circuit.

In the set described in the two previous articles a crystal detector or rectifier is used as a detector. The principal disadvantage of this type of detector is that it cannot be depended upon to stay in adjustment. Much time would be spent and annoyance caused if the operator had to search for the incoming signals without some mechanical aid. To obviate this trouble auxiliary apparatus known as a "buzzer" is incorporated into the set. This arrangement is shown in the attached illustration. By setting the buzzer in action its notes are heard in the telephones, and by a careful adjustment of the detector, when the buzzer signals are heard so will the loudest response be heard in the telephones from incoming signals. This buzzer thus enables one at all times to rapidly ascertain whether the detector is functioning. It must be said that this arrangement is practically essential where crystal or electrolytic detectors are employed and it is an important adjunct to any type of receiver, irrespective of the form of detector utilized. Having dealt with receivers and circuits employing as a detecting device crystal rectifiers it is well to study the quickest and at the same time the most methodical manner of tuning a receiver for best results. This will be covered in the succeeding article.

Solons Try to Settle Alcoholic Dead Line

MADISON, Wis., March 9.—The Wisconsin assembly voted 51 to 34 to ask congress to designate as intoxicating liquor such beverages as contain more than 3.3 per cent of alcohol. Such alcoholic content has been proved by a scientific experiment to be non-intoxicating, said F. J. Peters, Milwaukee, author of the bill.

Bank Cashier Admits 10 Years' Peculations

SPRINGFIELD, Ohio, March 9.—A. H. Pentfield, cashier of the Springfield National bank, which closed its doors after discovery of a \$600,000 shortage, made full confession to his father-in-law, Dr. D. K. Gotwald, according to a statement made by Dr. Gotwald to bank officials. He said that his son-in-law told him that his peculations covered a period of ten years.

Uncle Wiggily Bedtime Stories

By HOWARD R. GARIS

UNCLE WIGGILY'S SNOW TUNNEL
"Well, you won't do much adventuring today, I think," said Nurse Jane Fuzzy Wuzzy, as she began to get breakfast in Uncle Wiggily's hollow stump bungalow one morning.

"Why not?" asked the bunny rabbit gentleman, giving his pink nose a little twinkle, as this always made him feel hungry. "Why can't I go adventuring today, Nurse Jane?"

"Because there's a big snow storm—see it?"
Uncle Wiggily looked from the window. The white flakes were swirling down, blown by the March wind.

"I'll stay home here with you today, Nurse Jane," said Uncle Wiggily, as he hopped back to the warm fire. "If I want an adventure I'll slide down the ironing board. How's that?"

"It would be just like you," sniffed Nurse Jane, for she did not altogether like some of the things Uncle Wiggily did. But, bless your heart, he was jolly for all that.

So, as there was such a heavy snow storm, the bunny gentleman did not go out that day, but remained in the hollow stump bungalow. Faster and faster down came the flakes, until at last, when Nurse Jane went to the back door, she called:

"My goodness, Uncle Wiggily! There is so much snow—such a big drift on the back steps that we can't get out. I can open the door, but there is a big wall of snow right in front of it."

"Oh, well, don't worry," said the rabbit. "If we have to go out we can use the front door. The snow isn't so deep there." And it wasn't—but from the back door, away over to the house where Sammie and Susie Littletail lived across the field, was a big heap of snow like a small mountain.

And the Fox and Wolf, sneaking around in the storm, cold and hungry for ears to nibble, saw this big, deep heap of snow at Uncle Wiggily's back door. As they floundered in the snow, "at last we have him!"

"Have whom?" barked the Fox. "Uncle Wiggily!" growled the Wolf. "See, there is a big drift of snow at his back door. He can't get out that way and we can go up to the front door and catch him. Surely we'll have ears to nibble this day."

"It does seem so," agreed the Fox, as he saw the big drift at the rear of the hollow stump bungalow. "He can't get out the back door, and he can't get out the front door when we stand there to stop him! Now for ears!"

"Ah, ha!" snickered the Wolf, as they rapped with their paws and Nurse Jane answered. The poor muskrat lady almost fainted when she saw the Fox and Wolf there.

APPARATUS AND DEVICES

By RALPH BROWN, RADIO ENGINEER

CRYSTAL DETECTORS

The crystal detector illustrated is used in thousands of homes to receive the entertainments sent out from radio broadcasting stations. They embody these features:
1. Base made of molded condenseite, 2-1/2 by 2-1/2 by 1-1/4 inch.
2. Pads nonremovable top binding posts.
3. The glass dust shield of imported tubing and metal cap are so heavy that exposure of the sensitive crystal because of breakage is practically impossible.
4. The catwhisker is made of German silver wire in a conical form and keeps a sensitive adjustment without jarring out of position.
5. All metal parts are heavily nickel plated and polished.
6. Every detector supplied complete with a super-sensitive galena crystal.

Senate Pays Tribute To Luther Burbank

SACRAMENTO, March 9.—Luther Burbank, the plant originator, was given an unusual honor by the senate when a message of congratulation was sent him at his home in Santa Rosa on the occasion of his birthday anniversary. The senate's action followed a glowing tribute to Burbank's work for humanity, and his fine character, paid him by Senator Herbert Slater of Santa Rosa.

Girl Mother Is Held On Bad Check Charge

LOS ANGELES, March 9.—Arrested by private detectives on a charge of writing nearly \$200 worth of fictitious checks using names she got from the telephone directory, Mrs. T. E. Nirbirk, a girl-mother, is said to have broken down and confessed. She blamed a relative in Portland, Ore.

Office Supplies

Typewriter Ribbons and Paper, Carbon Paper, Pens, Pencils, Ink, Letter Files, Book-keeping Supplies, etc.

Engraved Stationery

And everything you would expect to find in a first class book and stationery store.

GLENDALE BOOK STORE

C. H. BOTT, Prop. 113 S. Brand. Glendale 218

Professional Cards

W. H. Appleton, M. D. Dr. W. E. Sunderman
DENTIST
Rooms 14-15-16 Central Bldg. Nesselrod Bldg., 221-A W. B'wy
Office Phone Glen. 71. Residence Phone 2203-R. Office Hours, 1 to 4 P. M., or by appointment. Hours, 9 to 12, 1:30 to 5 P. M. Phone Glen. 2977

DR. MARLENEE
Optometrist—Optician
RELIABILITY, QUALITY, SERVICE
20 YEARS A SPECIALIST
Owning Complete Grinding Plant
Phone for Appointment—Office Glen. 122-2
181 E. Broadway, Glendale 2500
Office Hours 10 to 12, 2 to 5, or by Appointment.

Dr. Frank N. Arnold
DENTIST
Flower Block, over Glendale Savings Bank, Brand and Broadway
Hours: 9 to 12; 1:30 to 5
PHONE GLENDALE 458

James A. Belyea, M. D.
Nervous and Mental Diseases
Suite 4 and 5, Central Bldg., 111 E. Broadway, Glendale, Calif.
Residence Phone Glen. 122-2
Office Phone Glen. 2500
Office Hours 10 to 12, 2 to 5, or by Appointment.

L. A. Phone 13981-R. GLEN-25-W
DR. FRANK H. GUERNSEY
OPTOMETRIST
Phone for Appointment
E. E. SPIER
Jeweler and Optometrist
305 W. 6th St., Savoy Hotel Bldg.
Phone Glendale 364

Goode & Beles
CLEANERS & DYERS
110 East Broadway
RAY E. GOODE
O. H. BELES

TRUCKING
WE MOVE ANYTHING
Prices Reasonable
HARRIS TRUCK CO.
312 E. Broadway, Glendale 180
C. E. Phillips, Prop.
Night Phone Glendale 365-R

Adventist Secretary
Preaches Tomorrow
Rev. G. A. Snyder, secretary of the religious liberty department of the Southern California Seventh-day Adventist conference, is to speak tomorrow morning at 10:45 o'clock at the Seventh-day Adventist church at the corner of Isabel street and California avenue. Other services of the church people will be held at the usual hours.

ISSUES DENIAL
WASHINGTON, March 9.—Formal denial was made at the French embassy that 5,000 American negro coal workers are to be sent to the Ruhr to replace Germans on strike in protest against the French occupation.

WALL PAPER
219 1/2 E. Broadway, Glendale 680-3
Electronic Reactions of Dr. Abrams
Diagnosis and Treatment
Dr. W. Bruce Lynd E. R. A.
702 E. Broadway Glen. 2201

WHY BE SICK?
Adjustments Remove the Cause of Disease
Dr. Albert Vack, D. C. Ph. C.
CHIROPRACTOR
108 S. Maryland, cor. Broadway
Glendale 1629-W. Hours 9-12, 1-7.
Examinations Free

OSTEOPATHY
DR. OTEY—Day and Evening
Graduate Kirksville, Mo., 1905
702 East Broadway, Glendale 2201
Folding Tables for Home Treatments
DR. W. B. LYND, E. R. A.
Electronic Reactions of Dr. Abrams

RED FEATHER MATERIALS CO.
3409 Glendale Blvd. Gl. 1901-W
BUILDING SUPPLIES
Builders' Hardware, Paints, Plaster Board, Roofing, Etc.

J. F. SMITH
THE PLUMBING REPAIR MAN
—Jobbing a Specialty, Also Sheet Metal Work.
110 W. Broadway Phone 889
GLENDALE, CALIF.

FOR SALE—Goat's milk delivered daily. Want a few more satisfied customers. Fine for babies and sick people.
A. WARNER
724 E. Acacia Ave., Ph. Gl. 1414-J

Morgan Bros. Transfer
Formerly
Jesse's Express
Glendale 75 117 E. Broadway

CONCRETE CESSPOOLS
Give Maximum Seepage
Cost No More
CIRCULAR CONCRETE MFG. CO.
San Fernando and Doran St.
Phone Glen. 2609-M

CESSPOOLS
E. H. KOBER
110 W. B'dwy. Phone Gl. 889

Spring Opening SPECIALS

We are able to save you money as we are out of the high rent district, so we can give you the benefit of low expense.

- All the newest styles in FELT HATS, also FRENCH CRUSHERS for young men, in every color. Regular value, \$6.50 **\$5.00**
- ATHLETIC UNION SUITS, fine gauze, good elastic back **95c**
- TONAWANDA KNITTED UNION SUITS in spring weight **\$1.25**
- MUNING WEAR—shorts and tall **\$1.25 and \$1.75**
- LUXITE HOSE—The kind that wears the longest of all makes; light weight, highly mercerized. Regular 50c value **40c**
- ARTIFICIAL SILK HOSE—Good weight **55c**
- PURE THREAD SILK HOSE—Regular \$1.00 value **75c**

SEE OUR WINDOWS FOR SPRING STYLE HATS

ZITELEEN

"The Store That Sells for Less"
140 North Brand Blvd.

Look! Look! Bellehurst Park

We know every foot of the Bellehurst Park and can locate you better than anyone else because our Mr. Thom has had the management of the ranch for a number of years. Why not buy from someone you know and who you can find any day.

—We are Glendale brokers.

Glendale Realty Co.

C. D. THOM, Pres. P. C. BROWN, Mgr.
131 1/2 South Brand. Glendale 44

JOLLY CROWD — SNAPPY MUSIC

DANCE SAT. NITE

I. O. O. F. Hall — Ralph's Building

Mac BAIN'S FOR SATURDAY

- GREEN TELEPHONE PEAS, 3 Pounds for **25c**
- NEW POTATOES, 4 Pounds for **25c**
- BURBANK POTATOES, 14 Pounds for **25c**
- CALIFORNIA ASPARAGUS, Per Can **10c**
- CANNED ALBACORE, 2 Cans for **25c**
- EASTERN PEAS, 2 Cans for **25c**
- FRESH EGGS, Per Dozen **29c**

WE DELIVER ALL ORDERS OF FIFTY CENTS OR MORE

HARRY Mac BAIN

Phone 136 636 East Broadway

STREET RAILWAY PLANS ARE TOLD

Official Predicts Sanction of Railroad Commission in Next Thirty Days

(Continued From Page 1) by C. F. Stuart, was invited to investigate the subject by the association at the suggestion of R. M. Brown of 416 North Kenwood street, who expressed an opinion that such investigation would not cause delay.

Concrete Is Favored
The Glendale & Montrose Railway, according to Mr. Stuart, has more interest in the paving than any of the property owners and is in favor of concrete. He stated that he had recently taken an extensive trip of highway inspection and that he was convinced that the street should be paved with concrete. He also remarked that a petition circulated for Contractor Peter L. Ferry of 614 East Acacia street favored concrete.

"We are working on this and will stay with it until the street is paved," asserted Mr. Stuart. "I feel sure that the street will be paved with concrete." The construction of a hotel on the northeast corner of Glendale avenue and Broadway is an assured fact, according to C. W. Ingledue of 501 East Wilson avenue, who presided at the meeting as president of this association.

"We have things in hand so that I feel sure I can tell you that without doubt the property will be placed in escrow Saturday morning," he stated. "We have had one long, hard road to travel and we haven't been able to weep on your shoulders and tell you how hard we have been working. We have had a darn hard time, but they tell us that the darkest cloud has a silver lining." The hotel committee has been on the "dead run" ever since the last luncheon of this organization on January 23rd, according to a report by Mrs. Mabel L. Tight of 612 East Broadway. She asserted that a hotel is now "a dead certainty."

Three firms of architects are now preparing plans for the hotel, according to H. L. Finlay of 626 North Isabel street, chairman of a sub-committee. He stated that these perspectives would be submitted to the general hotel committee for selection in two or three weeks. He said that all three firms stood ready to finance the building as soon as the property was paid for.

Need Sewer Lines
"One thing that we have got to decide before we pave Glendale avenue," remarked Mr. Ingledue, "and that is the trunk line sewer." Dr. Jessie Russell of 203 South Brand boulevard expressed her belief in regard to the sewer problem: "The city administration is doing the best that it can under the circumstances. Since the first of the year it has had three conferences with city officials of Los Angeles. We might just as well get ready right now for a good, severe bond election. Education is a beautiful thing, but you can't put it into the heads of voters on a bond issue in thirty days."

Mr. Ingledue paused to exclaim: "Well, all of us are getting used to bond issues by this time!" Others present at the luncheon were: W. R. Vanderwood, Herman Nelson, P. L. Hatch, F. W. McIntyre, G. H. Gibbs, M. B. Hartmann, Mrs. R. J. Jordan, A. W. Reynolds, J. F. Chandler, Mr. Addison, Mrs. Ann L. Caldwell, Mrs. J. A. McGowan, Mrs. Grace J. Fraley, Miss D. L. Flewellen, Mrs. R. G. Addison, Dr. G. Irwin Royce, Anthony Ambrosini and Frank L. Fox.

That water could be heated by stirring it was discovered by James P. Joule in 1843.

INCOME TAX RETURNS
Assistance rendered in preparing Income Tax Returns. James F. McBryde and Eugene W. Wix, 111 E. Broadway, Rm. 2, Central Bldg.—Advertisement. If

COMMENT That's All

Three Months Behind Clara This Is Gasoline Age Have You Planted Garden? Hear Viewpoint Of Others

By Gil A. Cowan

VAUNT! After three months they have succeeded in trailing Clara Phillips to San Francisco. We had deeply suspected that long ere this the Texas wildcat would have given herself away through inadvertently staging one of her tempestuous tantrums which have marked her career.

Perhaps we misjudged the "lady's" naive ability. Indeed, we do not stand alone in the error. Yet it does seem remarkable that it is possible for a person to drop completely from sight without some one "on the inside" directing her movements.

All of which results in the thought: Should not those who aided her in escape, if revealed, suffer a punishment equally as great as that meted Mrs. Phillips?

Really, we honestly believe the rank and file of the California populace cares little about all of this budget talk emanating from Sacramento.

They are more interested to learn about the gasoline tax, the gasoline probe and so forth, for this is the gasoline age. It is interesting to know that the legislators are confident a two penny a gallon tax will be hung on all motor cars from lizzie to the limousine.

Also, it is interesting to read of the alleged frauds being perpetrated on the public by manufacturers of homogeneous gasoline. Chemists declare that a mixture of distillate and casinghead gas is injurious to an internal combustion engine. It may have a kick, all right, but it has a kick-back in your garage bills, it is claimed.

More information along this line and less about the state saving itself from an ad valorem tax appeals to the public that lives today and cares little about tomorrow.

Indeed, we are living in the great TODAY. And yet how many wasters wander through life without having accomplished something every time they find their watches.

In Southern California the greatest opportunity God ever gave man for making something of himself can be seen at every turn and twist of the network of highways.

Opportunity simply beckons the person with enough courage and enough good sense to see it. You need not have money, you need not have too much knowledge, you need have nothing but horse sense and grit and get up and go!

In Southern California conditions remind me of the race at Beverly Hills bowl recently. Every entrant won a part of the purse. None was disqualified, forced out by mechanical difficulties.

Likewise in life here, if you play the game squarely (and it pays to do that always), you will not be disqualified, although you may not come first; your chances for health and happiness are better here because of ideal conditions conducive to such; and Southern California from a financial point of view is operating like any well oiled machine.

For years this section of the country has been assimilating untold industry and population. It has been developing apace, never seemingly able to satisfy the demand. And it is no fool's paradise, either.

Getting down to earth for a minute, have you planted garden yet? Gardens, like golf, provide a great little game for the fellow with idle hours on his hands.

Watching things grow is good for us all. And in this heyday of business we should not neglect the subtleties to be found in digging around the back yard.

Pity the person who is confined within the four walls of a hotel room or apartment, whose only pleasures must be purchased. The only seed such people sow is that of discontent.

It may be interesting to know that the luncheon clubs of Sacramento today met at noon and listened to a speech by the governor. More than 600 business men, interested in service, sat down together and heard the viewpoint of others, something unheard of a generation ago.

That can be considered an indication the world is changing for the better. The Rotary spirit of "service before self," the similar expression of duty toward fellow men by Kiwanis and Exchange club members, all leads to a new era.

Even in the newspaper business the spirit of service may be noted. The Glendale Evening News gives its readers the greatest possible share of the word and local events that good business methods will permit. Further, it inculcates in the community life a spirit of civic loyalty.

To the advertisers it provides an incomparable service in the way of advertising copy written by our experts as well as presenting the messages of the merchants to a clientele of subscribers who believe in trading at home, thereby making Glendale greater.

REHEARSE SONGS AT KIWANIS MEET

Club Members Shatter Calm At Weekly Luncheon in Yell Practice

Songs and yells caused the dining room in the Citizens' building to vibrate at noon today during the weekly luncheon of the Glendale Kiwanis club.

The meeting was in the nature of a song and yell practice, and was in charge of a committee consisting of W. L. Trullit, "Herb" Henning, R. F. Adams, O. W. Anderson, B. F. Cook, Dr. Jack Anderson, Ray Galvin, A. L. Baird, Bert Perry and Don H. Webb.

A number of original yells and song parodies were tried out and a great deal of enthusiasm was demonstrated. Glendale automobile name plates were presented to each one present as the silent boast with the compliments of Jesse E. Smith, Ford agent. The attendance prize was furnished by Ed Radke.

Lichi trees, which bear delicious, sugary fruit, will not grow in cool climates.

Council Authorizes Change in Pavement

The J. Harvey McCarthy Realty Company of Los Angeles last night was granted permission to pave the streets in its Eagle-Glenn Heights with two-inch macadam instead of three-inch macadam by the city council.

H. V. Henry of 353 Pioneer drive, local representative of this company, explained the fact that lots had been priced to include street work which had been based on two-inch macadam. He said that it would be impossible to apportion the \$5000 of added cost upon the unsold lots.

The city council agreed that permission for such paving had been unofficially given at a former meeting and that it could not refuse the official permission.

Approve Purchase of Tractor and Trailer

The purchase of a Ford tractor with a trailer, to haul pipe and supplies for the public service department, was authorized last night by the city council. Peter Diederich, head of the maintenance department, has been informed that the combination is equivalent to the hauling power of a five-ton truck.

THIEVES TRY TO ROB TWO STORES

Local Pharmacies Objects Of Robbers' Attention During Night

Drug stores were the object of attention on the part of unknown persons operating last night in Glendale.

An attempt is believed to have been made to rob the Park Avenue Pharmacy. At 2 a. m. this morning Officer Ralph Baugh noticed that the glass in the front door had been broken as though some one had tried to gain entry. After a careful examination to make sure that the premises had not been molested, he fastened the place up again.

Farwell's Drug Store at Verdugo road and Colorado street was entered some time before 3:30 this morning. Entrance was gained by breaking the glass out of a side door. Neighbors across the street noticed a man coming out of the store at a late hour, but did not pay much attention.

First distinctive life boat was designed by Lionel Lukin, an English coach builder in 1785.



EXPERIENCE PLUS ABILITY

Many automobile owners make the grievous mistake of believing that anyone can be an automobile satisfactorily. Sometimes they hire a man in the street, or a boy afterwards they regret it. The car is only half-cleaned and many times it is scratched badly. Experience is the best teacher. Our ability is the result of experience.

Glendale Auto Laundry
109 West Wilson
Phone 172-J, Glendale, Cal.

The People of Glendale Are Invited to Attend

THE GRAND OPENING of the Glendale Recreation Center and Glendale Recreation Club

Saturday, Mar. 10, 1923
2:00 p. m., in the
Jensen's Palace Grand Shops Building
133 North Brand Blvd., Glendale, Calif.

Grand Opening Bowling Tournament

7 p. m.
Hollywood vs. Glendale

Guaranteed to be one of the Highest Class Bowling Matches in Southern California today.

CHALLENGE TOURNAMENT—9:00 p. m. Caswell's Gateway Team vs. Jensen Drugs

An all local match that will surprise you as to the class of Bowlers that Glendale can produce.

THE GLENDALE RECREATION CENTER is open to the Public, and Spectator Settees in the Lobby will enable Visitors to view the Bowling Matches. A Cozy and Comfortable Ladies' Lounge Room has been provided to make the visits of the Ladies to the GLENDALE RECREATION CLUB AND CENTER a pleasant one.

THE GLENDALE RECREATION CLUB will maintain rest rooms and comfort stations with every feature for the convenience of the people of Glendale.



Reduce City License Fees on Auto Trucks

An ordinance reducing the municipal license fees on trucks came up for final reading last night, and was passed by the city council. Its provisions were printed last week.

News want ads produce results.

THE GLENDALE EVENING NEWS

Published Daily Except Sunday
A. T. COWAN - - - - - Publisher and Proprietor
Office of Publication, 139 South Brand Boulevard
PHONE GLENDALE 132

CLASSIFIED ADS

To assure proper classification copy for classified ads should be in this office before 11:30 a. m.
First insertion—Minimum charge, 30 cents, including four lines counting five words to the line. Additional lines 5 cents per line.

REAL ESTATE FOR SALE

GLENDALE PROPERTY

SACRIFICE

DO YOU REALLY WANT A HOME?
with large, sunny rooms, spacious grounds, in a high-class, exclusive district. Never before have I had such a genuine value to offer.

ANOTHER CLOSE-IN BUNGALOW

5 large rooms, modern to the last word, beautifully finished, large garage with laundry attached.

YALE BROS. REALTY

249 N. Brand Phone Gl. 1569
FOR SALE—Or Rent—Large 4 room house, lot 54x190, ideal location. Call at 1116 E. Elk Ave. Owner.

BEST BUYS IN GLENDALE

7 room bungalow, 3 bedrooms and large sleeping porch, built about one year by owner for a home. All oak floors, very fine interior finish, trimmed with figured gum. Close-in, a real bargain. \$7350—\$3000 cash.

LOTS

- 130x170 5 room house.....\$5000
135x152\$7000
100x125\$3700
Wilson St., 62x140\$1600
\$490 cash
Salem St., 62x140\$1490
\$375 cash
100x14 4 room house.....\$5150
Salem 50x140\$1400
Myrtle corner\$2250
Dryden\$1025
Palm Drive\$1250

R. N. STRYKER

217 N. Brand Glen. 846
Open Sunday

\$5000 \$1000 DOWN

Modern 6 room bungalow, close to school and car, large airy roomy garage, shop, cornals, fruit.

W. B. KELLY

106 W. Colorado Glendale 1411
FOR SALE—By owner, 6-rm. house and garage just completed, all built-in features, hardwood floors, bath, large automatic water heater, large level lot, can be bought for \$5900 if sold this month, \$4100 cash, balance 3 years. 642 W. Salem.

REAL ESTATE FOR SALE

GLENDALE PROPERTY

CLOSE TO NEW HIGH SCHOOL

\$5750 CASH \$1500
A fine 5 room house and sleeping porch, 2 bedrooms, H. W. floors, fireplace, every built-in feature, garage, lot 55x200, with lawn and asst. fruit, just one and a half blocks to new high school.

REAL ESTATE FOR SALE

GLENDALE PROPERTY

\$500 DOWN

New bungalow, 2 bedrooms; hardwood floors in every room; real fireplace, beautiful mantel. Best of hardware and electric fixtures. Breakfast room, table and set of chairs installed. Faces on extra wide street newly paved lined with large shade trees. These terms are reduced for immediate sale. Price \$5,500.00.

SACRIFICE

Owner has gone east and left the following described property for quick sale: 2 houses on one lot. A new 5 room bungalow that is worth \$6750 alone, and 4 room new house in rear completely furnished. Double garage, 2x3x2. This property must be seen to realize the real bargain offered. Was planned by present owner for permanent home with income feature. Circumstances have called him east. His loss is your gain. See us at once. Price only \$7500. Very easy terms.

H. L. MILLER CO.

109 So. Brand Blvd. Glendale 853

\$2650 \$525 CASH

\$25 mo., dandy combination 3-4 room Calif. bungalow and garage, located on one of Glendale's best paved streets, beautiful lot, 16 full-bearing fruit trees, nice fish pond, shrubbery, wisteria, etc. Absolutely going to sell this week. Room for duplex on front. Who gets it?

BUSINESS CORNER HOME

INCOME—SACRIFICED

Excellent business corner on prominent boulevard, with two strictly modern 4-room bungalows, \$90 per month income, room for store on corner. Large double garage, street work all in and paid. Priced \$2000 below value. Going at \$7000, \$3500 cash, balance like rent. This is a steal.

EDWARD HENNES, REALTOR

"Where Prices Are Right"
719 S. Brand Blvd. Glen. 114-W

HERE'S REAL VALUE

Fine 6-room house, 2 bedrooms and sleeping porch, hardwood floors throughout, fireplace, all built-in effects. Built for home on lot 50x148, garage. N. W. section. Easily worth \$6500. \$6000—\$1500 DOWN

See Harley Preston

with CHARLES HAHN office
Suite 20, Second Floor
103 A North Brand Boulevard
Phone Glen. 1939

FOR SALE BY OWNER—Modern 5-room bungalow, just completed, hardwood floors, built-in fireplace, lot 50x142, on improved street. This is a real buy at less than \$5500, only \$700 to handle. Phone Glendale 1251, residence 220 N. Central.

'HOME BUILDERS, INVESTORS! BELLEHURST PARK'

Nature's beautiful garden of orange, lemon and olive groves, is now open for purchase. BUY NOW—to make money. Autos will call for you. Phone Glendale 3099, or call at 246 South Brand Blvd.

MUST BE SOLD—Large house, 10 bedrooms, income \$250 per month, rooms always occupied, \$9500; easy terms; also lot 100x150 ft. to 20 ft. alley, with 5 room house, close in; \$6500. J. F. Chandler, 809 E. Harvard.

I WANT ACTION

What will you pay for this? 58 ft. by 136 ft. beautiful corner at Dryden and Everett Streets. Make offer. Address Box A-964 Glendale Evening News.

FOR SALE—A bargain; unusually attractive, new six-room house just completed, on one of the prettiest close-in corners in Glendale. Owner on premises today, or phone evenings Glen. 2022-M, 749 S. Adams St.

BIGGEST BARGAIN IN CITY

House of six large rooms, modern, bath, cement cellar, all conveniences, lot 65x140, within 200 ft. of bus line, for quick sale, \$5,000; \$2,000 cash, balance \$40 per month. No agents, address, Box A-958, Glendale News.

INCOME PROPERTY

4-room house, lot 50x150, price \$5000, easy terms. Owner, 222 N. Jackson.

REAL ESTATE FOR SALE

GLENDALE PROPERTY

CLOSE TO NEW HIGH SCHOOL

\$5750 CASH \$1500
A fine 5 room house and sleeping porch, 2 bedrooms, H. W. floors, fireplace, every built-in feature, garage, lot 55x200, with lawn and asst. fruit, just one and a half blocks to new high school.

REAL ESTATE FOR SALE

GLENDALE PROPERTY

\$6950 CASH \$2000

A new 5 room bungalow, 2 airy bedrooms, 1 block to new high school, lot 50x183. House has a fireplace, built-in features, buffet, very convenient kitchen, large screen porch, double garage, bal. E. Z. terms.

\$6500 CASH \$1500

A pretty 5 room stucco bungalow, 2 bedrooms, pretty fireplace, breakfast nook, all oak floors, draperies, refrigerator and stove included in this price, also a fine radio, lot is 50x150 with 11 orange trees, garage, close to new high school, bal. easy terms.

\$7500 CASH \$2500

A fine 7 room bungalow, with 3 bedrooms, all oak floors, fireplace, all built-in features, breakfast room, kitchen has sink, fine tile bath, lot is 50x150 with a large garage, having 2 tubs in it for laundry room. Fine front and side porch, bal. terms. Open Sunday.

SEE MR. BARNEY OR MR. BARSTOW

J. E. BARNEY Real Estate

Glen. 2599 131 No. Brand

ARE YOU LOOKING FOR A 'REAL' HOME?

HERE IT IS!!

\$6500—\$1200 CASH

Large roomy five-room bungalow, every possible built-in feature, four large clothes closets, extra large living room with real fireplace, large cheery kitchen with breakfast nook; in fact this home is really everything you could desire. Ideal location, wonderful view, and price right.

\$5100—\$750 CASH

New, five room bungalow, large living room, two bedrooms, nice bath, extra large breakfast nook, large veranda and garage, close in. Property priced for quick sale.

REHBERG REALTY COMPANY

223 E. Broadway. Glen. 2415-J

YOUR OPPORTUNITY

Of course you want a home. You have been waiting for a profitable deal. Here it is. Brand new five-room modern stucco at 1016 East Lexington, with all up-to-the-minute features. The builder intended to make this house his permanent home, but was forced to return to his eastern home. For the next few days this can be purchased for \$5800, \$1000 cash, trust deed; \$40 per month, 6 per cent interest only. You cannot equal it in this city.

USILTON & BENNER

Exclusive Agents
Glen. 80 201 N. Brand

120 FT. FRONTAGE

on Jackson Street, near Dryden street. Full price \$2750. 20% cash, 1% a month takes it. Box A-970 Glendale News.

FOR SALE—By owner, new 4 room house, hardwood floors and built-in features throughout, garage \$5,250, \$1,000 down. Call at 529 W. Milford.

\$498—DOWN—\$498

Special offer for the next few days. New 5 room plastered house, 2 bedrooms and sleeping porch. Full set of plumbing, hardwood floors, deep lot, located in the fast growing N. W. section. Take a look at this. 1137 Allen St. Price is only \$3950. Ask for Mr. High.

LEHIGH INV. CORP. "OWN YOUR HOME."

113 E. Broadway. Gl. 2859-W. Res. Gl. 784-W

FOR SALE—Beautiful new 8-room duplex at Eagle Rock, nicely appointed and finished, 4 rooms each side, double garage, lot 56x150 feet; will take clear lot to \$1500 and \$1500 cash as first payment.

FOR SALE—MAR INV. CO.

627 S. Brand Blvd. Phone Glen. 173-J

REAL ESTATE FOR SALE

GLENDALE PROPERTY

SPECIAL WORTH EVERY PENNY

Centrally Located, 2 Blocks off Brand Blvd., 10 large rooms; finished in Silver Grey Tapestry wall paper; clear Oak floors; 4 bedrooms, sewing room and bath upstairs. Large living room, dining room, den, breakfast room, kitchen, and laundry room 12x12; Every imaginable built-in feature; There is sufficient room on the rear of this lot which fronts a 20-foot alley to build a Good Income Property. A Real Bargain at \$12,900—Cash to handle \$4300—Balance to suit.

Colonial Bungalow only 2 Blocks from Car Line—5 rooms and Sun Room, Beautifully Decorated; Hardwood floors throughout; Garage with sleeping room; Lawn, flowers, fruit trees; Lot 52x173 to Alley—\$12,500.

Right off Orange in North West Section, A New 6 room Home with Patio and Porch, Ivory finish interior, hard wood throughout, all built ins.; extra room in garage; Draperies go with home; Price \$8000. Terms \$2900 cash or \$1450 cash and lot or trust deed up to \$1500. Desirable location, Good Home.

Brand New 6 room Home on South Adams; Hard wood floors throughout; The fire place; Has all latest built ins.; Shower bath; Superba Water heater. A good buy at \$7250—Cash to handle \$2000.

Two doors East of Brand Blvd., 6 room Colonial Bungalow, lot 40x135—3 bed rooms, breakfast nook, good large rooms. Only \$6850, terms.

Five room Home at Montrose, 1 block off Honolulu Ave; Wonderful Mountain View; East front; All built ins. Unusual Bargain \$3500, Cash to handle \$500 and \$40 per month.

At Montrose, 3 room Cottage on lot 100x175 only 1/2 Block off car line. This is a Snap at \$1820 with only \$210 down.

3 room House at Burbank on Santa Jose Ave.; Only 1 1/2 blocks from Car Line—Only \$2500—\$500 down, balance easy terms.

BEAUTIFUL 5 ROOM

Brand new English Colonial, all built in features, wonderful location, a steal at \$5000, \$500 cash.

W. B. KELLY

106 W. Colorado Glendale 1411

FOR SALE—4 room, all modern bungalow, 2 bed rooms, screened in back porch; garage, chicken house, lawn, built-in bear line in fine neighborhood. Splendid mountain view. \$1150 cash; balance terms like rent. 415 West Stocker.



BEAUTIFUL 5 ROOM

Brand new English Colonial, all built in features, wonderful location, a steal at \$5000, \$500 cash.

W. B. KELLY

106 W. Colorado Glendale 1411

FOR SALE—4 room, all modern bungalow, 2 bed rooms, screened in back porch; garage, chicken house, lawn, built-in bear line in fine neighborhood. Splendid mountain view. \$1150 cash; balance terms like rent. 415 West Stocker.

\$6,850

Best income possible in Glendale, exclusive facing two of finest streets, six rooms, almost new modern, on front, 3 bedrooms, all hardwood, renting now \$65; lots of room for a built-in bungalow, facing Columbia, bus; easy possible income of \$2,400 on total of \$11,000; \$2,250 balance, rest easy. 403 West Burchett.

IT WILL PAY YOU TO SEE RIGDON'S 9 ROOM HOUSE AT 404 ROSS STREET. PRICE \$18,000, WILL TAKE ONE-HALF IN UNIMPROVED PROPERTY. PHONE OWNER, GL. 735.

IT WILL PAY YOU TO LOOK AT THESE BEFORE YOU BUY

4-room house, new, on California St., 2 bed rooms, hardwood floors, everything possible built in, real fireplace; \$4600—\$750 down.

6 ROOMS NEW, \$1500 CASH, ONLY \$6000

Has 6 large rooms, good garage, nice lawn. Complete in every detail.

R. N. STRYKER

217 N. Brand, Glendale 846 OPEN SUNDAY

MR. CONTRACTOR, DO YOU WISH TO CUT EXPENSES?

We design for you or your clients and furnish three sets of blue prints for \$100 per month; all work designed by experienced architects. We help finance your buildings.

FOR SALE—By owner, modern 6-room bungalow, 3 blocks to Brand Blvd., 3 large walnut trees, other fruit, terms. 421 Salem. Phone Glen. 1986-W.

'AN EXCEPTIONAL LOT' 45 ft by 135 ft.

Level, residential lot, ideally located, Glendale's "Best" home section, price includes macadam streets, curbs, sidewalks, etc., \$1350 full price. Will sell for 20 per cent cash down, 1 per cent a month. This is REAL. Address Box A-966 Glendale News.

FOR SALE—New 5-room stucco, hardwood floors, built-ins, nook, garage, fast growing neighborhood, priced right, \$2,500 down, easy payments. Will take good lot or car as part down payment. Owner, 640 West Doran.

FOR SALE—Modern 5 room bungalow, will take automobile as part payment.

A. T. GRAY

209 W. Broadway. Glen. 2147-R

REAL ESTATE FOR SALE

GLENDALE PROPERTY

WHY DID WE SELL \$100,000 WORTH OF LOTS IN 21 DAYS

In the Wing Orange Grove?

BECAUSE

They are positively the greatest value in Glendale.

WHY?

They are surrounded by the finest boulevards in Glendale. They are within three blocks of

High School Grammar School Main Car Line Bus Line

CAN YOU BEAT IT? SEE THESE LOTS LAST

MARVIN SMITH

1200 East Colorado Phone Glendale 337-M

Income Property

New 8-room Duplex and four-room house in rear. Very best construction and attractive property. Close to car line, schools and center of city. Selling for less than it can be duplicated for. Yielding 15 per cent income, \$10,500, \$5000 cash.

New 4-room and 3-room bungalows on fine corner lot, room for one more house, 3 blocks to Brand Blvd. Best of built-in features and high class property. Extra large lot. A good buy, \$7,500, \$3,000 cash.

Eight-room duplex and 4-room house in rear, half block to Brand Blvd., in best section of Glendale. Lot alone worth \$4,000 and rapidly increasing. A fine bargain for the location, \$12,600, \$6000 cash.

W. B. KELLY

106 W. Colorado Glendale 1411

FOR SALE—A large 5 room house, good view; up-to-date in every way; all improvements in. Terms to suit; two blocks to P. E. bus. Owner, Gl. 1313-R.

WONDERFUL BUY

Brand new 5 room house and garage, near new high school, lots 50x150, covered with orange trees, only \$5700, \$1000 cash.

W. B. KELLY

142 S. Brand 1310 S. Brand Phone Gl. 1065 Phone Gl. 1151 Open Sunday

FOR SALE—A large 5 room house, good view; up-to-date in every way; all improvements in. Terms to suit; two blocks to P. E. bus. Owner, Gl. 1313-R.

WONDERFUL BUY

Brand new 5 room house and garage, near new high school, lots 50x150, covered with orange trees, only \$5700, \$1000 cash.

W. B. KELLY

106 W. Colorado Glendale 1411

FOR SALE—A large 5 room house, good view; up-to-date in every way; all improvements in. Terms to suit; two blocks to P. E. bus. Owner, Gl. 1313-R.

WONDERFUL BUY

Brand new 5 room house and garage, near new high school, lots 50x150, covered with orange trees, only \$5700, \$1000 cash.

W. B. KELLY

106 W. Colorado Glendale 1411

FOR SALE—A large 5 room house, good view; up-to-date in every way; all improvements in. Terms to suit; two blocks to P. E. bus. Owner, Gl. 1313-R.

WONDERFUL BUY

Brand new 5 room house and garage, near new high school, lots 50x150, covered with orange trees, only \$5700, \$1000 cash.

W. B. KELLY

106 W. Colorado Glendale 1411

FOR SALE—A large 5 room house, good view; up-to-date in every way; all improvements in. Terms to suit; two blocks to P. E. bus. Owner, Gl. 1313-R.

WONDERFUL BUY

Brand new 5 room house and garage, near new high school, lots 50x150, covered with orange trees, only \$5700, \$1000 cash.

W. B. KELLY

106 W. Colorado Glendale 1411

FOR SALE—A large 5 room house, good view; up-to-date in every way; all improvements in. Terms to suit; two blocks to P. E. bus. Owner, Gl. 1313-R.

REAL ESTATE FOR SALE

GLENDALE PROPERTY

What Do You Want?

We can satisfy you from these or other listings. It will be a pleasure to convince you.

\$500 CASH \$500 CASH \$4100

A nifty little home on paved street, no bonds, hdw. floors, one bedroom, prettily decorated. One block to P. E. Garage.

\$1500 CASH \$1500 CASH \$5500

All kinds of fruit trees Lot 50x185 Fine modern 5-room bungalow. This is an excellent piece of property.

\$1500 CASH \$1500 CASH \$6800

CORNER LOT 135x158 Located in N. W. foothill district, both streets paved, comparatively new 6-room Colonial with 3 bedrooms. We consider this a genuine bargain as the 50 foot corner alone is easily worth \$2500.

\$2000 CASH \$2000 CASH \$5750

Finished like a \$7500 home, in silver grey, decorations and fixtures to harmonize, this lovely 5-room bungalow is sure to please. Fine large lot 50x208. Spacious front porch affords one of prettiest mountain views in So. California. Be sure to see this.

HAVE YOU A LARGE FAMILY REQUIRING 4 BEDROOMS?

\$2000 CASH \$2000 CASH \$7000 Located on a pretty corner only 3 blocks to Brand Blvd., 2 stories, very attractively decorated, silver grey, splash walls, n'everything. This is a real buy and price can be cut for more cash.

\$2000 CASH \$2000 CASH \$7000

The best buy in the N. E. section on N. Jackson St. Five large rooms, beautifully decorated, quarter sawed oak floors, extra special construction all the way through, best tile bath room in town, automatic hot water heater, laundry room in the garage, lawn, shrubs, trees etc., flourishing.

\$3000 CASH \$3000 CASH \$7850

Completely Furnished In the first place, a beautiful home, hdw. floors etc., worth \$6500 at least—and it is furnished to the queen's taste, in mahogany, overstuffed etc., to the extent of \$2500 more. Can you add and subtract?

\$9750 THE HOME YOU WANT 7 BEAUTIFUL ROOMS

Spanish stucco exterior, large living room, beautifully decorated, French doors opening out of dining room into the garden. Laundry in the garage; lot 50x186; only 1 block to Brand Blvd., Glendale. This can not be duplicated at the price.

REAL ESTATE FOR SALE

VACANT LOTS AND ACRES

BEST LOT VALUES

Adams St. \$ 800, \$350 cash
Pittman \$ 875, \$420 cash
Garrfield \$ 900, 1/2 cash
Palm Drive \$1050, \$600 cash
Adam St. \$1250, \$500 cash
Pioneer Dr. \$1450, \$350 cash
Elk Ave. \$1475, 1/2 cash
Ellis Ave. \$1500, 1/2 cash
Riverdale Dr. \$2400, 1/2 cash
Central Ave. \$3100, 1/2 cash
Graviss St. \$1550, \$500 cash
Maple St. \$1450, \$350 cash

W. B. KELLY
106 W. Colorado Glendale 1411

STUMPF & CALDWELL

Offer for sale two lots on Brand boulevard, one north and one south; these are fairly close in and at the prices offered should develop a profit of \$2500 within the year. One and a half acre tract near the corner Adams and Monterey road, as a whole or will divide. WEST DORAN road, 4-room house, only \$4500. Terms \$1500 cash, balance easy payments. Lot is 50x125; this is a real good buy. LISTINGS WANTED. Real property, business chances, etc. Buy, Swap or Sell, see STUMPF & CALDWELL 105 S. Central Avenue

REAL ESTATE FOR SALE

VACANT LOTS AND ACRES

LOTS FOR YOUR MONEY

Location Size Price Cash
Geall St. temporary home allowed 43x120 775 150
Pittman Av. 43x120 850 1/2
Dryden St. 43x120 900 1/2
South St. 50x123 1150 500
Palm Dr. 50x140 1300 submit
Fischer cor. 60x150 1680 1300
Mountain cor 60x150 2000 1425
W. Broadway 50x200 2500 1600
This price includes street work. Every one of these is a good buy and WE CAN DELIVER THEM.

HAYWARD & MCCARTNEY
REALTORS
142 S. Brand 1310 S. Brand
Ph. Glen. 1067 Ph. Glen. 1151

15 ACRES, \$27,500, CLOSE TO GLENDALE

Old walnut orchard. Fine soil—good location. Fair improvements. Fine for subdivision. V. E. WEST
217 So. Brand Gl. 3015

KENNETH ROAD

\$3000 60x178
This is a beautiful tree covered lot between Pacific Avenue and Central. \$750 cash will handle it. EDWARDS & WILDEY CO.
Broadway at Central. Glen. 250

MAKE IT PAY

Vacant property won't increase your bank account. Improve THAT LOT with a modern bungalow, duplex, flat, building, or court. INCREASE YOUR INCOME. We will finance and build your improvement. We specialize in double bungalows, flats and courts. DUTTON the Home Fynder
S. W. Corner Glendale Ave. and Colorado, Glendale.

THIS IS FOR YOU VINEYARD LANDS

Want from five to ten people to join me in the purchase, each asking what they can handle, of a tract of choice grape land, adjoining the growing city, in vicinity where 20,000 acres are in vineyard, each four year old vineyard producing from 20 to 25 tons of grapes or 6 tons of seed raisins per acre each year. Have a very low price, and unusually easy terms requiring but little money, but I must act quick. Let me explain, 478 W. Vine St., tel. 2347-R.

BARGAIN ON PALM DRIVE

\$1200—\$150 CASH. \$15 monthly buys this choice bungalow lot with all improvements paid for. EDWARDS & WILDEY CO.
Broadway at Central. Glen. 250

\$3,350

BIG CORNER, on Stocker street—TERMS. That lot upon which one would "LOVE TO LIVE." Box A-971 Glendale News.

A FINE CLOSE-IN LOT MUST BE SOLD BY OWNER

Less than the market price. On well built-up, paved residential property just 5 1/2 blocks from Brand and Broadway and 3 1/2 blocks from car line. Address Box 961, Glendale News.

SEE BELLEHURST PARK TODAY

Drive out N. Brand to Dryden street, turn to right and drive east up Dryden street to tract. A pleasant surprise awaits you. \$500 WILL HANDLE Beautiful sloping lot south facing, 54x185 on Glenwood Rd., fine location, 27 bearing orange trees, owner must sell at a sacrifice, 310 E. Bdw., Glen. 1238-J Glen. 2734-W.

\$2500 \$1500 DOWN

LOT ON WEST BROADWAY 50x230 HANSEN
22 W. Broadway. Glen. 1494

FOR SALE—Exceptionally well located lot in Kenwood Rd. district, east of Grandview, cash price \$1250 for a few days only; owner 705 N. Isabel St.

REAL ESTATE FOR SALE

VACANT LOTS AND ACRES

SUNSET GROVE

Beautiful, level lots covered with bearing fruit trees between Kenneth Road and Tenth St. in northwest section. No temporary homes. Restrictions \$3000 and \$3500. Unsurpassed panoramic view; fine soil. Selling rapidly. Don't delay. Buy at opening prices. HAMLIN & HEPBURN
Glendale 996-J 203 W. Broadway

COVERED WITH ORANGE TREES

Beautiful level lot, restricted residential park, mountain view, near car-line, school, stores. Price includes: macadamized streets, curbs, sidewalks, gas, water, electricity, telephone. SEE THIS NOW. Answer to Box A970 Glendale News.

A BUSINESS LOT!

Right in Glendale, near Isabel Street, level and price includes all street-work, sidewalks, etc. TERMS OR CASH, priced low. To sell quick. A secure investment. Send name and address to Box A-967 Glendale News.

FOR SALE—Lots on Stanley and Wilson. Best location for schools and car lines in Glendale. Owner 1235 E. Wilson.

OUT-OF-TOWN PROPERTY

FOR SALE—4 room house at Lancaster. Bargain. Inquire 1014 E. Orange Grove.

FOR SALE—New 4 room bungalow, 2 porches, garage, big lot on Blvd., 2 blocks to car and school, wonderful mountain view, no tax, fine for long trouble, price \$2,500. Terms. Owner 807 Orangedale Ave., near Honolulu, Montrose.

FOR SALE—Beautiful new 4-room modern bungalow, 140 Honolulu Ave., Montrose. Sacrifice. Owner, 1533 Sunset Blvd., Wilshire 9741.

BUSINESS OPPORTUNITIES

OIL INVESTORS READ THIS
We have the best oil lease in Santa Fe Springs, boulevard on two sides, surrounded by the Standard and Union leases. Have two quarter lots left. One per cent of gross production on entire five acre goes with each lot. You get deed to land. Colorado 251, Evenings Colorado 8551 or Col. 2763.

OFFICE man, experienced in Banking, credits, collections, book-keeping, etc., desires to connect with reliable firm, would buy part interest in small business. Lives in Glendale. Box A-973 Glendale Evening News.

HOME REALTY

Grocery, living room, stock and fixtures, good lease, low rent, price, \$750. HOME REALTY
710 E. Broadway.

MONEY WANTED

FOR SALE—Will sell at a discount, first mortgages, trust deeds and first trust deeds, drawing 7 per cent to 8 per cent interest. Phone Glendale 2147-R or call at office, 209 W. Broadway.

WANTED—\$2,000, \$2,500, \$3,000, \$4,000 and \$5,000, all 3 years, first mortgages on choice, improved property. W. L. TRUITT
Glen. 1968-R 812 S. Brand

WANTED—Need \$8000 or \$10,000 to finish court, will pay 7 per cent. You are dealing with owner. Box 947 Glendale News.

WANTED—to borrow \$2225 on San Fernando road property, worth \$6000. Box 962 Glendale Evening News.

WANTED—To borrow \$5000 cash at 6 1/2% in amounts of \$100 and up. Best security. Box A-974, Glendale News.

WANTED—\$1,500 from private party, as first Mgt. on new 5 room bungalow. Gl. 1087-R.

DAVE CARNEY
127 N. Louise St. Glen. 2314-W

REAL ESTATE WANTED

I WANT LOTS, WILL EXCHANGE

Nash Coupe—1922. Franklin Touring, 1920. Hupmobile Touring—1917. Nash Touring—1918. WHAT HAVE YOU? A. T. GRAY
209 W. Broadway. Glen. 2147-R

WANTED

All kinds of listings; houses; duplexes; lots; income property; exchanges. KNIGHT & LEWIS
226 S. Brand Glen. 1062-W

WANTED

WANTED—Lot for duplex, or flat in good location, state particulars, owners only, 609 N. Jackson.

FOR EXCHANGE

FOR EXCHANGE—By owner, 6 acres for Glendale or Los Angeles, vacant or improved; rich soil, aqueduct water, family orchard, 75 trees, berries, grapes, two-room house, garage and stable. Nicely located.

S. A. MERRIKEN

123 S. Central Glen. 1565-J

INSURANCE, LOANS, ACREAGE EXCHANGES, RENTALS

Improved and unimproved property bought and sold. MILLS & BLISS
PROFITABLE INVESTMENTS
326 E. Broadway Glen. 2936

WANTED—I have a client who wants a high-grade automobile in good condition in exchange for big lot 60x300, located on 110th St., Los Angeles, where lots are in demand. Value \$2200. HARLEY PRESTON
With CHARLES MAHN
Suite 20, Upstairs, 103A N. Brand Ph. Glen. 1939

FOR EXCHANGE—160-acre farm in the garden spot of Alameda, Canada, all tillable, 80 acres under cultivation, cash value \$5,000 and \$500 to trade for Glendale residence property. Owner, 306 N. Cedar.

FOR EXCHANGE—Three lots, both west Los Angeles, for unimproved Glendale property. Will also take lot in Glendale as part payment on six room house. H. Haemann, 1231 E. Harvard.

TRUST DEEDS & MTGS.

GOOD FIRST MORTGAGES

We have the following for sale, all on new homes in Glendale. \$1200—7% Value \$2800
\$1800—7% Value \$5000
\$2000—7% Value \$5250
\$2500—8% Value \$5750
Will discount for quick action. LEHIGH INV. CORP.
113 E. Broadway Glen. 2859-W

FOR SALE—1st Mtg., liberal discount. Give address with phone number. Box 936, Glendale Evening News.

FOR SALE—First lien trust deeds and contracts of purchase, yielding 7% interest at a reasonable discount. This is first class paper and payment responsibly guaranteed, total about \$17,000. For particulars, see CHARLES B. GUTHRIE CO.
110 W. Broadway.

LOOK BEFORE YOU LEAP

Don't throw money away by placing it in unsound investments. Place it in good Conservative Real Estate Mortgages and Trust Deeds. We have on hand several good investments from \$500 up. Also smaller short term loans. Mortgages, Trust Deeds Bought, Sold and Exchanged. DUTTON the Home Fynder
S. W. Corner Glendale Ave. and Colorado—Glendale

MONEY TO LOAN

WE WILL LOAN 50% or more on your residence property, plenty money available for building homes, apts. or business blocks. Phone Hayes, Glendale 854, evenings.

GET A HOME

Am not a real estate dealer, but a practical builder, 18 years in Glendale; will furnish part or all the money and plans to suit. Terms. J. J. Burke, 1242 South Maryland, Glen. 256-J.

\$17,000 for Brick Bldg., at 7% or will divide, principal only. Hayes, Glen. 854.

WANTED TO LOAN—\$2000, secured by first mortgage, on real estate. Address Box A-959, Glendale Evening News.

MONEY TO LOAN—\$1000, \$2000 or \$2500, by private party, no commission, must be gilt edged security for 3 years.

DAVE CARNEY
127 N. Louise St. Glen. 2314-W

MONEY TO LOAN

MAKE IT PAY

Vacant property won't increase your bank account. Improve THAT LOT with a modern bungalow, duplex, flat, building, or court. INCREASE YOUR INCOME. We will finance and build your improvement. We specialize in double bungalows, flats and courts. DUTTON the Home Fynder
S. W. Corner Glendale Ave. and Colorado, Glendale.

WANTED TO RENT

WANTED TO RENT—Furnished house reasonable. Box 960, Glendale News.

WANTED APARTMENT

By responsible couple employed, small furnished or partly furnished apartment. Must be close children, or would consider 2 furnished rooms with board, reasonable. 609 N. Brand.

FOR RENT

FURNISHED APTS. & HOUSES
4 rooms and garage, ready now. \$45 Mo.
5 rooms furnished, rear, ready April 1st. \$40 Mo.
5 rooms U. E. and garage, ready April 1, adults \$55 Mo.
3 rooms, bath and garage, water paid. \$45 Mo.
4 rooms furnished, cellar and garage, lease. \$50 Mo.
5 rooms and garage, furnished, 3 bed rooms, lease. \$70 Mo.
2 rooms furnished for light housekeeping, vacant Mar. 18, quiet restful place for retired couple. \$35 Mo. See F. Booth, 111 So. Kenwood St.

FOR RENT—Furnished, half of duplex, 4 rooms and bath, garage. 336 N. Louise. Phone Glendale 1238-W.

FOR RENT—Fine home, 5 rooms, garage, large grounds, piano, \$100 per month, inquire 450 W. Burchett St.

FOR RENT—5 room furnished house and garage at 205 W. Burchett, can be seen from 10 a. m. to 4 p. m. and after 5 p. m. Phone Glen. 1263 W. Lease for one year.

FOR RENT—New 4-room bungalow, nicely furnished, garage and phone, at 911 N. Melrose. Inquire 1152 N. Louise, Gl. 1912-W.

FOR RENT—3 room furnished apt., half block from Broadway, \$35 per month, adults Glen. 1259-M.

FOR RENT—2 room furnished home, 1/2 block from car line, call Glen. 839-J.

FOR RENT—Single Apt., Overstuffed Furniture, 115 S. Orange, Glendale 1947-W.

FOR RENT—New one-room kitchenette and bath, completely furnished, linen, silver, gas, light and water, no agents. Call Glen. 1596-J or Glendale 1045-M. 901 Orange Grove Ave.

FOR RENT—4 room furnished bungalow, with cellar and garage, near car line. Call Glen. 781.

FOR RENT—4-room bungalow apt., unfurn., partly furn. or furn. 220 S. Central, call at rear.

FOR RENT—Modern 4 room bungalow, partly furn., close in. 201 N. Kenwood, Glen. 246-J.

FOR RENT—Nicely furnished 6 room house, close in, \$70 on year's lease, no children. EDWARDS WILDEY CO.
229 W. Broadway Glen. 250

FOR RENTALS Call MARY E. LINDSAY with YALE BROS REALTY CO.
249 N. Brand. Glen. 1569

"We Please the Homeseeker" FOR RENT—Houses furnished and unfurnished. ALEXANDER & SON
202 N. Central Ave. Glen. 35-J

FOR RENT—Furnished, 3 rooms and bath, rear cottage, no garage, adults only. 515 1/2 N. Central Ave.

FOR RENT—Single Apt. with or without garage, 111 N. Kenwood.

FOR RENT—Furn. 4 room house with bath, including piano, garage, one block from car, rent reasonable, phone Gl. 2305-W or call 616 N. Orange.

FOR RENT—3 room furnished apartment, modern, 1/2 block to car and bus, 134 South Adams St. Phone Glendale 927-J.

FOR RENT

FURNISHED APTS. & HOUSES

FOR RENT—5-room modern bungalow, completely furnished, close in, no children, \$75 per mo. Possession April 3. Also 2 storerooms on E. Broadway near Glendale Ave. 1 or 2 year leases. AMBROSINI & COMPANY
723 E. Broadway. Glen. 2446-W

Residence, Glen. 316-W

FOR RENT—3 room house, furnished comfortably, key at 1244 So. Orange.

UNFUR. APTS. & HOUSES

FOR RENT—Unfurnished new 5-room house in N. E. section, all built-in features, basement, automatic water heater and sprinkling system, large yard, fish pond, small fruit trees and berries, garage. 606 N. Isabel St., phone Glendale 1099-W.

FOR RENT—4-room house and large yard, to middle aged people who would board elderly woman. 110 E. Maple.

FOR RENT—Clean comfortable 3 room rear cottage located at 126 Franklin Court. Price \$30 per month. Owner 601 N. Jackson.

FOR RENT—Modern, newly decorated 4 room apt. H. W. floors, blue and white gas range, gas radiator, dainty linoleum in kitchen, extra in-A-Door bed, fine location, see owner, 317 N. Orange Ave. Phone Gl. 1241-J.

FOR RENT—New, unfurnished house, 4 rooms, nook, laundry room, garage, quiet Mountain View, 3 adults, \$45, 327 N. Verdugo Rd., 1 1/2 blocks from Eagle Rock car.

FOR RENT—New four room flats, unfurnished, fine location, 131 West Cerritos, W. A. Heiman Co., Glen. 1049.

FOR RENT—FOOTHILLS COURT. New 3 and 4 room bungalows, 1214 to 1218 North Central.

JAMES W. PEARSON
715 South Brand. Glen. 346

FOR RENT—New 4-room flat, unfurnished, with or without garage. 616 1/2 S. Louise. Phone Glendale 1930.

FOR RENT—6-room house, garage, 3 bed rooms, 1 block from Brand Blvd., \$75.00 per month. 4-room house with garage, \$50 per month, one block from Brand.

SCHUYLER
122 W. Broadway Glen. 1494

FOR RENT—6 room unfurnished house, 322 Salem St.

FOR RENT—6 room bungalow, garage, built-in features, close in, 1/2 block from car line, 134 S. Cedar St.

FOR RENT—rear bungalow, 3 rms., bath, close in, \$30 mo., gas and elec. Water paid. Stocking, Box 211 E. Bdw.

FOR RENT—4 rooms and bath in new duplex, 1 bedroom and disappearing bed in dining room. 243 W. Lomita, no objections to children over 12.

FOR RENT—5 room bungalow, modern throughout, fruit and shade, \$50 per month, will lease, 113 So. Jackson, owner on premises Friday.

Will lease 5 room house one year to adults. References required, lot 50x200, 1146 No. Louise St.

FOR RENT—6 room bungalow, garage, 724 E. Windsor Rd., inquire 728 E. Windsor Rd.

FURNISHED ROOMS

FOR RENT—A neat bedroom adjoining bath, backdoor entrance, address 228 South Louise St.

FOR RENT—Furnished room for gentleman, near carline, 120 S. Isabel.

FOR RENT—Room, private home; reasonable. Call after 6 p. m., 547 W. Harvard.

FOR RENT—Nicely furnished cozy room, close-in and very reasonable. 206 1/2 S. Orange.

FOR RENT—Furnished rooms with or without kitchenette, also garage. 827 E. Colorado.

FOR RENT—Furnished or unfurnished room with garage \$20, furnished. 517 No. Concord.

FOR RENT—Furnished room in strictly modern new home, convenient to Brand Ave. street car. 327 W. California St.

FOR RENT—Furn. rooms, all conveniences, close in 300 N. Orange.

FOR RENT—Furnished room in private family, with running hot and cold water, 333 West Myrtle. Glen. 2296-W.

FOR RENT

FURNISHED APTS. & HOUSES

FOR RENT—5-room modern bungalow, completely furnished, close in, no children, \$75 per mo. Possession April 3. Also 2 storerooms on E. Broadway near Glendale Ave. 1 or 2 year leases. AMBROSINI & COMPANY
723 E. Broadway. Glen. 2446-W

Residence, Glen. 316-W

FOR RENT—3 room house, furnished comfortably, key at 1244 So. Orange.

UNFUR. APTS. & HOUSES

FOR RENT—Unfurnished new 5-room house in N. E. section, all built-in features, basement, automatic water heater and sprinkling system, large yard, fish pond, small fruit trees and berries, garage. 606 N. Isabel St., phone Glendale 1099-W.

FOR RENT—4-room house and large yard, to middle aged people who would board elderly woman. 110 E. Maple.

FOR RENT—Clean comfortable 3 room rear cottage located at 126 Franklin Court. Price \$30 per month. Owner 601 N. Jackson.

FOR RENT—Modern, newly decorated 4 room apt. H. W. floors, blue and white gas range, gas radiator, dainty linoleum in kitchen, extra in-A-Door bed, fine location, see owner, 317 N. Orange Ave. Phone Gl. 1241-J.

FOR RENT—New, unfurnished house, 4 rooms, nook, laundry room, garage, quiet Mountain View, 3 adults, \$45, 327 N. Verdugo Rd., 1 1/2 blocks from Eagle Rock car.

FOR RENT—New four room flats, unfurnished, fine location, 131 West Cerritos, W. A. Heiman Co., Glen. 1049.

FOR RENT—FOOTHILLS COURT. New 3 and 4 room bungalows, 1214 to 1218 North Central.

JAMES W. PEARSON
715 South Brand. Glen. 346

FOR RENT—New 4-room flat, unfurnished, with or without garage. 616 1/2 S. Louise. Phone Glendale 1930.

FOR RENT—6-room house, garage, 3 bed rooms, 1 block from Brand Blvd., \$75.00 per month. 4-room house with garage, \$50 per month, one block from Brand.

SCHUYLER
122 W. Broadway Glen. 1494

FOR RENT—6 room unfurnished house, 322 Salem St.

FOR RENT—6 room bungalow, garage, built-in features, close in, 1/2 block from car line, 134 S. Cedar St.

FOR RENT—rear bungalow, 3 rms., bath, close in, \$30 mo., gas and elec. Water paid. Stocking, Box 211 E. Bdw.

FOR RENT—4 rooms and bath in new duplex, 1 bedroom and disappearing bed in dining room. 243 W. Lomita, no objections to children over 12.

FOR RENT—5 room bungalow, modern throughout, fruit and shade, \$50 per month, will lease, 113 So. Jackson, owner on premises Friday.

Will lease 5 room house one year to adults. References required, lot 50x200, 1146 No. Louise St.

FOR RENT—6 room bungalow, garage, 724 E. Windsor Rd., inquire 728 E. Windsor Rd.

FURNISHED ROOMS

FOR RENT—A neat bedroom adjoining bath, backdoor entrance, address 228 South Louise St.

FOR RENT—Furnished room for gentleman, near carline, 120 S. Isabel.

FOR RENT—Room, private home; reasonable. Call after 6 p. m., 547 W. Harvard.

FOR RENT—Nicely furnished cozy room, close-in and very reasonable. 206 1/2 S. Orange.

FOR RENT—Furnished rooms with or without kitchenette, also garage. 827 E. Colorado.

FOR RENT—Furnished or unfurnished room with garage \$20, furnished. 517 No. Concord.

T. D. & L. THEATRE
Today
ALICE BRADY
and DAVID POWELL
 —IN—
THE GREAT "BOSTON BLACKIE"
CROOK THRILLER
MISSING
MILLIONS
 AND—
A Hall Room Boys' Comedy
Folks All the Folks This Time
 Meet "Minnie" Next Sunday

ADDITIONAL CLASSIFIED ADVERTISEMENTS
 (Continued from Page 15)

FOR SALE—Miscellaneous
 FOR SALE—or exchange, for dining room set, new Ohio vacuum, value \$55, Glen. 1559.

MUSICAL INSTRUMENTS
GLENDALE MUSIC CO.
 109 N. Brand
 KRAKAUER PIANO, slightly used, bugalow style, real bargain. Terms like rent.
 KRANICH & BACH, \$225; good condition. \$10 delivers this piano, balance like rent.
 KIMBALL MAKE PIANO, mahogany case, slightly used. Bargain.

GLENDALE MUSIC CO.
 109 N. Brand
PIANO FOR RENT
 \$4 A MONTH
PHONOGRAPHS FOR RENT
 \$2 A MONTH
 Rentals to apply on purchase if you decide to buy.
GLENDALE MUSIC CO.
 109 N. Brand. Open Evenings

FOR SALE—Mahogany phonograph, almost new, \$75, cost \$125, 609 N. Jackson.
FOR SALE—Steel guitar, good condition, \$10. Apply A-957, Glendale Evening News.

MOTOR VEHICLES
FOR SALE
 Chevrolet Touring, 1923, almost new.
 Reo Touring, 1915, \$175.
 Chevrolet Touring, 1919, \$200, extra good.
 Chevrolet Touring, 1918, \$175, extra good.
 Ford Touring, 1917, \$50.
C. L. SMITH
 Colorado at Orange. Gl. 2447

FOR SALE or trade, 1921 Sedan, Westinghouse shock absorbers, six wire wheels and tires, car like new, \$2900. Will accept trust deed or clear lot for same. Tel. Glen. 2947.

GUARANTEED OLDSMOBILE 1921 TOURING
 Like new, to appreciate this car you must see and ride in it, price is right, terms, several other good used cars at bargain prices.
C. H. HUNTER
 208 W. Broadway

MUST SACRIFICE MY CAR
 1922 Nash six touring, newly painted, and equipped with fine, new cord tires, phone Gl. 2906-W.

FOR SALE—Reo Speedwagon, very cheap, good condition. Olds truck 1920 model, bargain. Terms \$75 cash, balance in 12 mo. Mr. Brown, Cor. Bday, and Pacific.

FOR SALE—A snap sport model Chandler car, 4 passengers; parties going north. 332 N. Isabel St.

MALE HELP WANTED
WANTED
 Two wide awake salesmen, who can direct and close business, for crews of 4 men each. Must have auto. Lots with improvements paid from \$650 to \$5,000. A real opportunity for the right men.
TWINING AND MEYERS
 211 1/2 S. Brand Gl. 3011

WANTED—To hire for one week, horse and wagon, or truck, or party to deliver fruit trees, 201 N. Kenwood, Gl. 246-J.

WANTED MANAGER
 For house and lot department, an excellent opportunity for the right man.

TWINING AND MEYERS
 Realtors
 211 1/2 So. Brand. Gl. 3011

WANTED—Solicitor for Nuway laundry work. Nuway Laundry, Burbank.

WANTED—Young man for general work, Glendale Laundry.

MALE AND FEMALE
WANTED
 Salesmen or salesladies, Santa Fe Springs district, unleased quarter acres \$650. Write W. C. Rodewald, 2407 West 9th St., Los Angeles.

WANTED—Reliable and conservative man or woman to represent a Real Oil company, in and around Glendale. Write giving references. Suite 437-438, Citizens Bank Bldg., Los Angeles.

FEMALE HELP WANTED
WANTED
STENOGRAPHER AND BOOKKEEPER
 One who has had experience in real estate or law office preferred.

TWINING & MEYERS
 Realtors
 211 1/2 So. Brand Blvd.
 Tel. Glen. 3011.

WANTED—Young cheerful woman to care for two small children, 6 hrs. daily, for business couple, 609 N. Brand.

WANTED—Experienced lady typist for general office work. Must be capable, and accurate, no others need apply. Glendale Evening News, 139 So. Brand.

WANTED—Girl or woman who needs home and reasonable salary, as Mother's helper. Paone Gl. 678-W.

WANTED—A woman to do general housework and plain cooking. Call Glen. 2520-J.

WANTED—Experienced Lunch Counter Girl, Apply Sam Seelig's Soda Fountain.

WANTED—Housekeeper in family of three, go home nights. Glen. 2776-N, 623 N. Jackson.

Eagle Rock Classified
 News Office Located at 113 E. Colorado Blvd.
 Phone Garvanza 277

SITUATIONS WANTED
MALE
 Good, reliable, trustworthy man wants work, lawns, garden, house cleaning, etc., day, week or month. 317 W. Myrtle, Eagle Rock.

BUSINESS PERSONALS
 Personally conducted free trips to Signal Hill Oil fields, by private automobile, leaving Eagle Rock every day at 9:00 a. m., and 10:00 a. m.; including a moving picture, showing the drilling of a well, at the Mission Theatre, Long Beach. Phone Lenora E. Ogilvie, Garv. 2740 evenings.

No. 60862
IN THE SUPERIOR COURT OF THE STATE OF CALIFORNIA IN AND FOR THE COUNTY OF LOS ANGELES, IN THE MATTER OF THE ESTATE OF LUELLA E. HUNTER, DECEASED.
Notice of Hearing of Petition for Probate of Will
 Notice is hereby given that the petition of Orrin L. Padel, for the Probate of Will of Luella E. Hunter, deceased, and for the issuance of Letters of administration with the will annexed thereon to Orrin L. Padel, will be heard at 2 o'clock p. m., on the 27th day of March, 1923, at the Court Room of Department 2 of the Superior Court of the State of California, in and for the County of Los Angeles.
 Dated March 1, 1923.
 L. E. LAMPTON, County Clerk.
 By H. H. Doyle, Deputy.
 Evans & Pearce, Attorneys for Petitioner, 1007 Van Nuys Building, Los Angeles, Calif. Mch. 5-11X

Do your shopping in Glendale.

Glendale Theatre
 Wm. A. Howe ----- Lessee and Manager

LEW CODY
GLADYS HULETTE
 And An All-Star Cast In

"SECRETS OF PARIS"
 From The Novel By Eugene Sue
 Third Chapter
"AROUND THE WORLD IN 18 DAYS"
 Featuring
William Desmond

JENSEN'S DRUG STORE
 133 No. Brand Blvd.
 Glendale, Calif.

SATURDAY Stationery Special
 —A large assortment of Box Paperies, Correspondence Cards and POUND Paper, assorted colors. Regular 50c values for

39c

WHILE THEY LAST WEEK-END SPECIAL
 —ONE BOTTLE MULSIFIED COCONUT OIL AND A SHOWER SHAMPOO SPRAYER FOR—

\$1.89

Free Delivery—Phone Gl. 3000

FOR SALE
 Chevrolet Touring, 1923, almost new.
 Reo Touring, 1915, \$175.
 Chevrolet Touring, 1919, \$200, extra good.
 Chevrolet Touring, 1918, \$175, extra good.
 Ford Touring, 1917, \$50.
C. L. SMITH
 Colorado at Orange. Gl. 2447

FOR SALE or trade, 1921 Sedan, Westinghouse shock absorbers, six wire wheels and tires, car like new, \$2900. Will accept trust deed or clear lot for same. Tel. Glen. 2947.

GUARANTEED OLDSMOBILE 1921 TOURING
 Like new, to appreciate this car you must see and ride in it, price is right, terms, several other good used cars at bargain prices.
C. H. HUNTER
 208 W. Broadway

MUST SACRIFICE MY CAR
 1922 Nash six touring, newly painted, and equipped with fine, new cord tires, phone Gl. 2906-W.

FOR SALE—Reo Speedwagon, very cheap, good condition. Olds truck 1920 model, bargain. Terms \$75 cash, balance in 12 mo. Mr. Brown, Cor. Bday, and Pacific.

FOR SALE—A snap sport model Chandler car, 4 passengers; parties going north. 332 N. Isabel St.

NOTICE TO CREDITORS
 No. 60430
ESTATE OF SOPHRONIA E. STARK, DECEASED.
 Notice is hereby given by the undersigned, Jesse C. Stark, of the County of Los Angeles, State of California, to the creditors of, and all persons having claims against the said deceased, to exhibit them with the necessary vouchers, within four (4) months after the first publication of this notice, to the said Jesse C. Stark, at the office of Harry W. Chase, attorney for the said administration, in and for the County of Los Angeles, State of California, which said office the undersigned selects as a place of business in all matters connected with said estate, or to file them with the necessary vouchers, within four (4) months after the first publication of this notice in the office of the Clerk of the Superior Court of the State of California in and for the County of Los Angeles.
 Dated March 8, 1923.
 Harry W. Chase, Attorney, Room 1, Rudy Building, Glendale, Calif.
 Date of first publication, March 9, 1923. Mch. 9-16-23-20

No. B-94022
SHERIFF'S SALE
Notice of Sale of Real Estate Under Execution
 Voorhees Rubber Manufacturing Company, Plaintiff, vs. U. S. Compression Inner Tube Company, Defendant.
 By virtue of an execution issued out of the Superior Court of the County of Los Angeles, State of California, wherein Voorhees Rubber Manufacturing Company, a body corporate, plaintiff, and U. S. Compression Inner Tube Company, defendant, upon a judgment rendered the 22nd day of December, A. D. 1922, for the sum of Eighty-three Thousand Six Hundred Seventy-six and 10/100 (\$83,676.10) Dollars, plus the money of the United States, besides costs and interest, I have levied upon all the right, title, claim and interest of said defendant U. S. Compression Inner Tube Company, of, in and to the following described real estate, situated in the County of Los Angeles, State of California, and bounded and described as Block 47, Rancho Providencia and Scott Tract, recorded in Book 43, page 47, of Miscellaneous Records, Los Angeles County.
 Public notice is hereby given, that I will on Monday, the 26th day of March, A. D. 1923, at 12 o'clock M., of that day, in front of the Court House door of the County of Los Angeles, Broadway entrance, sell at public auction, for lawful money of the County of Los Angeles, the right, title, claim and interest of said defendant U. S. Compression Inner Tube Company, of, in and to the above described property, or so much thereof as may be necessary to raise sufficient to satisfy said judgment, with interest and costs, etc., to the highest and best bidder.
 Dated this 1st day of March 1923.
 WM. I. TRAEGER,
 Sheriff of Los Angeles County.
 By W. T. O'Connell, Deputy Sheriff.
 Messrs. Lawler & Dugan, Plaintiff's Attorney. 3-2, 3-5, 3-16, 3-23

KIEFER & EYERICK
 FUNERAL DIRECTORS
 LIMOUSINE AMBULANCE SERVICE
 Phone Glen. 201 Lady Assistant 305 E. Broadway

PENDROY'S
 BRAND AT HARVARD
 Store Hours, 8:30 to 5:30
 Saturday, 9 to 6

Saturday Specials
 These Specials Are Becoming Better Each Time. We Keep Up the standard and Lower the price. No Phone or C. O. D. Orders—No Exchanges.

Saturday Only — New Spring Dresses \$10.95
 A limited amount of Crepe, Knit with Foulard Waist, Plain Crepes and Taffetas, Leading Colors—Blue, Tan, Grey, Etc.

For Saturday Only
1 1/2c Huck Hand Towel
4 for 25c
 Limit 8 towels. Size 14x21. Good weight huck towel, hemmed ends, white stripe border.

For Saturday Only
\$2.00 Kimono Silks
\$1.19 yd.
 Limit 5 yards. "Cheney" kimono silks, assorted Oriental designs.

For Saturday Only
75-cent Laces
- 50c bolt
 These laces run 12 yards to a bolt. Limit 2 bolts. Regular 75c values.

For Saturday Only
25c Unbleached Muslin
7 yds. \$1
 36 inches wide, soft fine thread, unbleached muslin, an excellent value.

For Saturday Only
\$1.00 and \$1.25
Pearl Button Earrings
75c pair
 Limit 2 pair. Oriental pearl earrings, some opalescent. Regular \$1 and \$1.25 values.

For Saturday Only
4-qt. 'Wear-Ever' Stew Pan
 With cover. Regular Price \$2.10
\$1.39 each
 Limit 1 to a customer

For Saturday Only
85c 'Wear-Ever' Aluminum Lipped Sauce Pan, 2-qt.
49c
 Limit 1 to a customer

For Saturday Only
65c 4-quart Grey Enamel Lipped Sauce Pan
29c
 Limit 1 to a customer

For Saturday Only
\$1.00 Large White Enamel Baking Dish
69c
 Limit 1 to a customer

For Saturday Only
90c and \$1.00
White Silk Gloves
59c pair
 Irregulars of a well known manufacturer. No exchanges. Limit 2 pair.

For Saturday Only
\$1.00 Ladies' Hose
69c pair
 Silk and fibre hose in black, polo, beige and fawn. "Onyx" and "Topsy."

For Saturday Only
25c and 35c Children's Sox
19c pair
 Children's half sox in fancy colored tops, mercerized. Sizes 5 to 7 1/2.

PENDROY'S
 BRAND AT HARVARD

Benefit Program at Pearl Keller Studio
 The benefit program presented last night at the Pearl Keller Studio under the auspices of the American Legion Auxiliary, for the disabled veterans' fund, was a big success.
 Mrs. Pearl Keller Brattain very kindly donated her studio and the program for the evening in which the following pupils took part: Mariou King, dance, "Forget-Me-Not," Vivien Melone, recitation, "Chums," "James," Katherine Sonntag, dance, "Pierrette," Mary Alice Barton, dance, "French Doll," Katherine Bruner, recitation, "Kentucky Philosophy" and "Harbinger of Spring," Cecilia Mae Fischer, dance, "Chrysie," Ethel and Harold Bechtle, dance, "Cavotte," Elizabeth and Beatrice Turner, song and dance, "Sally in Our Alley," Alberta Swall, recitation, "Dirty Hands," "Bill's New Sister," Eileen Cook, dance, "Oriental," Eleanor Marek, dance, "Highland Fling," Marie Louis Brown, recitation, "Powders Her Nose," dance, "Coquette," Blossom Moore, dance, "Girl Who Smiles," Patricia Carline, dance, "Patriotic," Elizabeth and Bea-

Woman, 31, Claims to Be Youngest Grandmother
 LOS ANGELES, March 9.—Now comes Mrs. Jessie Myers to claim the crown of the "youngest grandmother." She says she is 31 years old and that her daughter, Mrs. Bertha Ranschildt has a child several months old. Mrs. Ranschildt is said to be 15 years of age. Mrs. Myers' mother, Mrs. Vina Cunningham, was a great grandmother at the age of 47. The entire family was born in Los Angeles, Mrs. Myers said.

PHOENIX, Ariz., March 9.—The lower house of the Arizona legislature passed the so-called anti-Ku Klux Klan bill which makes it a felony for members of organizations to mask. The senate had previously adopted the measure.
 Mrs. Brattain wishes to thank all those who took part in the program and so graciously helped to make it such a success.

POULTRY, BIRDS & PETS
FOR SALE—Yard eggs by the case, 26 cents a dozen, phone Glen. 2133-R-4. T. J. Reinhard, Montrose.

FOR SALE—Bird cages, bird equipment, roller canaries sign, etc., cheap. 1224 S. San Fernando Rd. Gl. 1201-J.

FOR SALE—Red Hatching eggs from tramped breed to lay, exhibition stock. Inspection invited. 335 W. Broadway.

FOR SALE—Baby turkeys, baby ducks, baby R. I. chicks, also R. I. setting eggs, \$1 per setting. 1308 E. Garfield St. Phone Glendale 2341-R.

PEDIGREED; stock 3 months old, American blue rabbits, for sale, cheap. 2270 Glendale Blvd. Atwater Park.

FOR SALE—10 White leghorn hens, all laying, also 1 rooster, a good strain, \$1.25 each, 516 S. Glendale Ave.

LIVESTOCK
AT STUD—Boston bull terrier, toy, weight 13 pounds, at 445 Patterson avenue. Fee \$15.

FOR SALE—Registered young Toggenburg doe, with doe kid, from best milking ancestry. Pedigree furnished. Will accept \$40 for both. Gallagher, 461 West California avenue.

MALE HELP WANTED
WANTED
 Part time janitor for Citizens Bldg. Apply to Mr. McGinnis, 150 So. Brand.

WANTED—Real estate salesman, good proposition for right party. Must have car. W. B. Kelly, 106 W. Colorado.

WANTED—A local industrial firm requires the services of a married man, with a pleasing personality, must drive Ford, know Los Angeles, and be well recommended. Do not apply unless you want a steady position over a long period. Address Box A-973, Glendale Evening News.

WANTED—Good man to work drainboards, tubs, mantels, superior process. Call evenings. 403 Lincoln Ave.

WANTED immediately, thoroughly experienced, men's furnishing and clothing, window trimmer. Apply H. S. Webb Co.

WANTED—Married man to work on Dairy. Must be a first class milkster. Phone Burbank 161-J. P. O. Box 244 Burbank.

SITUATIONS WANTED
MALE
CHESTER'S WINDOW CLEANING SERVICE, FLOORS WAXED, POLISHED, Glendale 1159-J
 Carpenter, expert finisher, alterations, store fixtures or bungalows wants work at \$6 per day. Fiory, 1222 N. Westmoreland, Los Angeles.
 Let us keep your books. Part time work our specialty. Systems installed and audited. Ph. Garvanza 3795.

First class auto mechanic, will call at your home and repair your car, estimate free. Phone Glendale 1053-J or call at 200 E. Stocker street.

J. Leslie Hague Plumber, jobbing and contracting, 442 W. Harvard.

WANTED—Pruning, spraying and landscape work. Fertilizer for sale. Curtis H. Sherwood, Gar. 1190, RFD 1, Box 242, E. Burbank.

TAXI SERVICE—7 passenger car, \$1.50 per hour, long trips a specialty. Glen. 1423-M. 227 W. Elk.

WANTED—Pruning of any kind by an experienced man. Phone Gl. 1379.

FEMALE
WANTED—General cleaning by day or hour. Car fare, lunch and 50 cents per hour. Ph. Glen. 1477-J.

WANTED—Dress making, by day, also remodeling and alteration. Phone Glen. 2030-M.

Experienced dressmaking, designing, embroidery; satisfaction guaranteed; 147 S. Belmont, Glen. 1633-J.

Nurse, has home in Glendale with vacancies for a couple invalids or convalescents. Phone Gl. 2323-W.

WANTED—By capable woman, nursing, day or week, 341 West Cypress St. Mrs. M. J. Porter.

WANTED—By private family, a little girl to care for. Best of terms, reasonable. 16 N. Sierra Vista drive, Eagle Rock.

MOTHERS! Care of children by day or hour. Reasonable. Ph. Glen. 478-W.

Specials for Saturday
 —AT THE—
BASKET GROCERY
 108 E. Broadway. Ph. Glen 599
 FREE DELIVERY

Full Cream Cheese, lb. 29c
 Pure Lard, lb. 15c
 Eggs, Fresh Ranch, doz. 28c
 Canned Corn, "Country Gentleman", 2 cans for 35c
 Sun Maid Seedless Raisins, 2 pkgs. 24c
 Bulk Sweet Chocolate, lb. 20c
 Northern Burbank Potatoes, 12 lbs. 24c
 Eastern Grape Juice, pint bottle 35c
 Sweet Potatoes, 4 lbs. 15c
 Fresh Telephone Peas, 1 b. 10c
 Newton Pippin Apples, 5 lbs. 25c
 Carrots, Turnips, Beets, 3 bunches 10c

FULL LINE OF FRESH FRUIT AND VEGETABLES

NOTARY PUBLIC
 Sara E. Pollard
 117 So. Isabel St.
 Day or Evening. Phone Gl. 474-J

LOST
LOST—Gold wrist watch "Elgin", black ribbon band. Reward. 113 W. Chestnut St.

LOST—Last Sunday on E. Lexington Dr. on Verdugo Rd. between Lexington Dr. and Broadway, black silk umbrella, with initials E. M. S. on handle. Reward, Gl. 332-M.

Just Phone
 We Clean Anything
DRY CLEANING
Glendale
 DYE WORKS
 1015 So. Brand Blvd
 Phone GLEN. 207

NEW CLOTHES FOR OLD

New Suit over night
 Dry Cleaned and Pressed,
 all rips, tears, buttons
 sewed on free. 24-hour
 service. Sponge and press
 while you wait.