

LUBRICATION ORDER

L05-6115-584-12

(Supersedes L05-6115-584-12, 22 August 1977)

Approved for public release; distribution is unlimited.

15 June 1990

GENERATOR SET, DIESEL ENGINE DRIVEN, TACTICAL SKID MOUNTED, 5KW

Reference TM 5-6115-584-12

Intervals and the related man-hour times are based on normal operation. The man-hour time specified is the time required to perform all the services prescribed for a particular interval. The interval shall be changed to compensate for abnormal operation and severe operating conditions or contaminated lubricants. The interval may be extended during periods of low level activity, commensurate with adequate preservation precautions.

Refer to TM to open acoustic suppression kit (ASK) access doors or remove cover for lubing.

Relubricate after washing or fording.

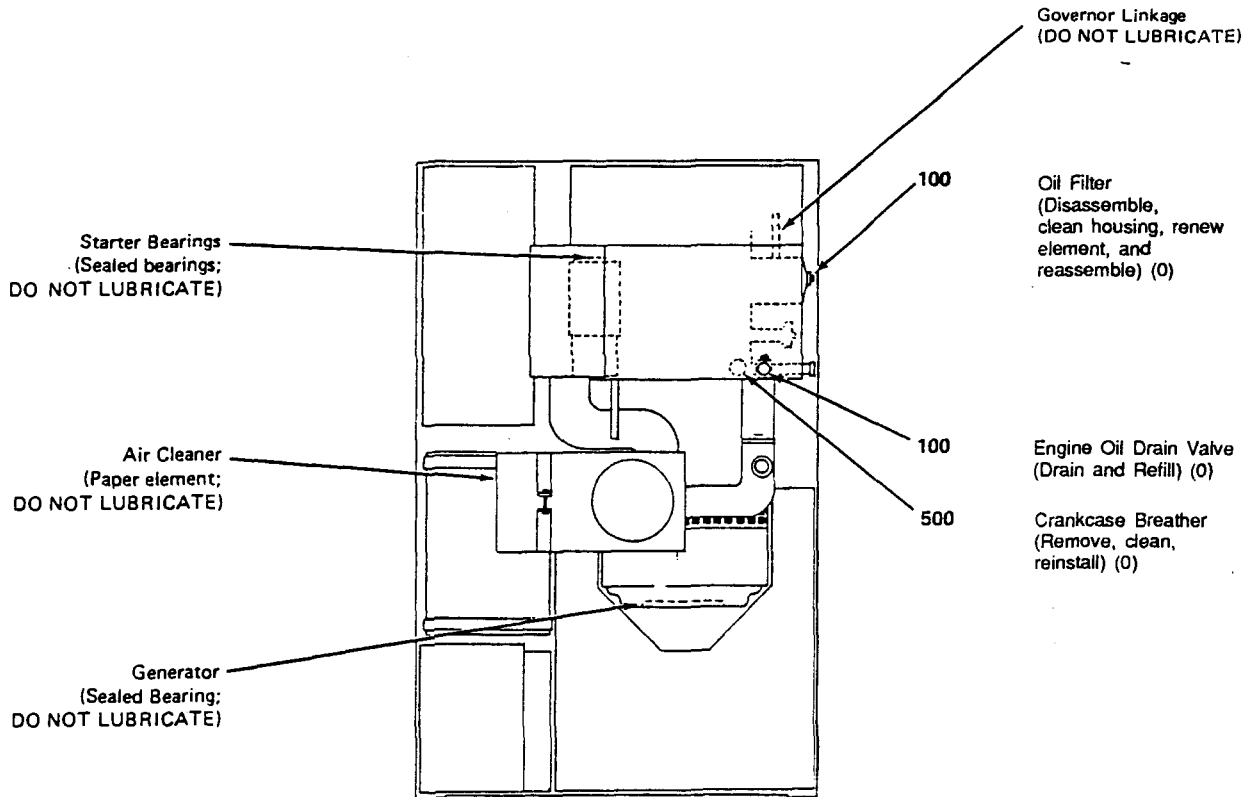
Clean parts with SOLVENT, dry-cleaning, or with OIL, fuel Diesel. Dry before lubricating.

Drain crankcase when hot. Fill and check level.

Reporting errors and recommending improvements. You can help improve this manual. If you find any mistakes or if you know of a way to improve the procedures, please let us know. Mail your letter or DA Form 2028 [Recommended Changes to Publications and Blank Forms] direct to: Commander, U.S. Army Troop Support Command, ATTN: AMSTR-MCTS, 4300 Goodfellow Boulevard, St. Louis, MO. 63120-1798. A reply will be furnished to you.

LUBRICANT • INTERVAL

INTERVAL • LUBRICANT



TOTAL TASK-HOURS		TOTAL TASK-HOURS	
INTERVAL	TASK-HOURS	INTERVAL	TASK-HOURS
50	0.5	500	0.3
100	0.4		

- KEY -

LUBRICANTS	CAPACITY	EXPECTED TEMPERATURE			INTERVALS
		Above +30°F	+30°F to -10°F	-10°F to -65°F	
OE-OIL, Engine, Heavy Duty Crankcase Oil Can Points	3 qt. w/o Filter 4 qt. w/Filter	OE 30	OE 10	OES	Intervals given are in hours of normal operation
OES-OIL, Engine, Sub-zero					

NOTES:

1. FOR OPERATION OF EQUIPMENT IN PROTRACTED COLD TEMPERATURES BELOW -10°F. Remove lubricants prescribed in the key for temperature above -10°F. Relubricate with lubricants specified in the key for temperatures below -10°F.

2. OIL CAN POINTS. Every 50 hours clean and lightly coat door hinges and latches, including those on ASK access doors, control cables, linkages, pins, and clevises and all exposed adjusting threads with OE.

3. OIL FILTER. After installing new filter element, fill crankcase, operate engine 5 minutes and check for leaks. Stop engine; check crankcase oil level and bring to full mark.

DISTRIBUTION: To be distributed in accordance with DA Form 12-25A, Operator and Organizational Maintenance Requirements for Generator Set, Diesel Engine, Tactical, Skid Mounted, 120V, 120/240V, 120/208V, 5KW, 60HZ, 1PH/2 Wire, 3PH/4 Wire (MEP-002A). (TM 5-6115-584 Series)

4. LUBRICANTS. The following is a list of lubricants with the Military Symbols and applicable specification numbers.
OE-MIL-L-2104 OES-MIL-L-10295

Copy of this Lubrication Order will remain with the equipment at all times. Instructions contained herein are mandatory.

BY ORDER OF THE SECRETARY OF THE ARMY.

CARL E. VUONO
General, United States Army
Chief of Staff

Official:

WILLIAM J. MEEHAN, II
Brigadier General United States Army
The Adjutant General

PIN : 032910 - 000

☆ U.S. GOVERNMENT PRINTING OFFICE : 1990 O - 261-867 (20320)

This fine document...

Was brought to you by me:



[Liberated Manuals -- free army and government manuals](#)

Why do I do it? I am tired of sleazy CD-ROM sellers, who take publicly available information, slap “watermarks” and other junk on it, and sell it. Those masters of search engine manipulation make sure that their sites that sell free information, come up first in search engines. They did not create it... They did not even scan it... Why should they get your money? Why are not letting you give those free manuals to your friends?

I am setting this document FREE. This document was made by the US Government and is NOT protected by Copyright. Feel free to share, republish, sell and so on.

I am not asking you for donations, fees or handouts. If you can, please provide a link to liberatedmanuals.com, so that free manuals come up first in search engines:

<A HREF=<http://www.liberatedmanuals.com/>>Free Military and Government Manuals

– Sincerely
Igor Chudov
<http://igor.chudov.com/>