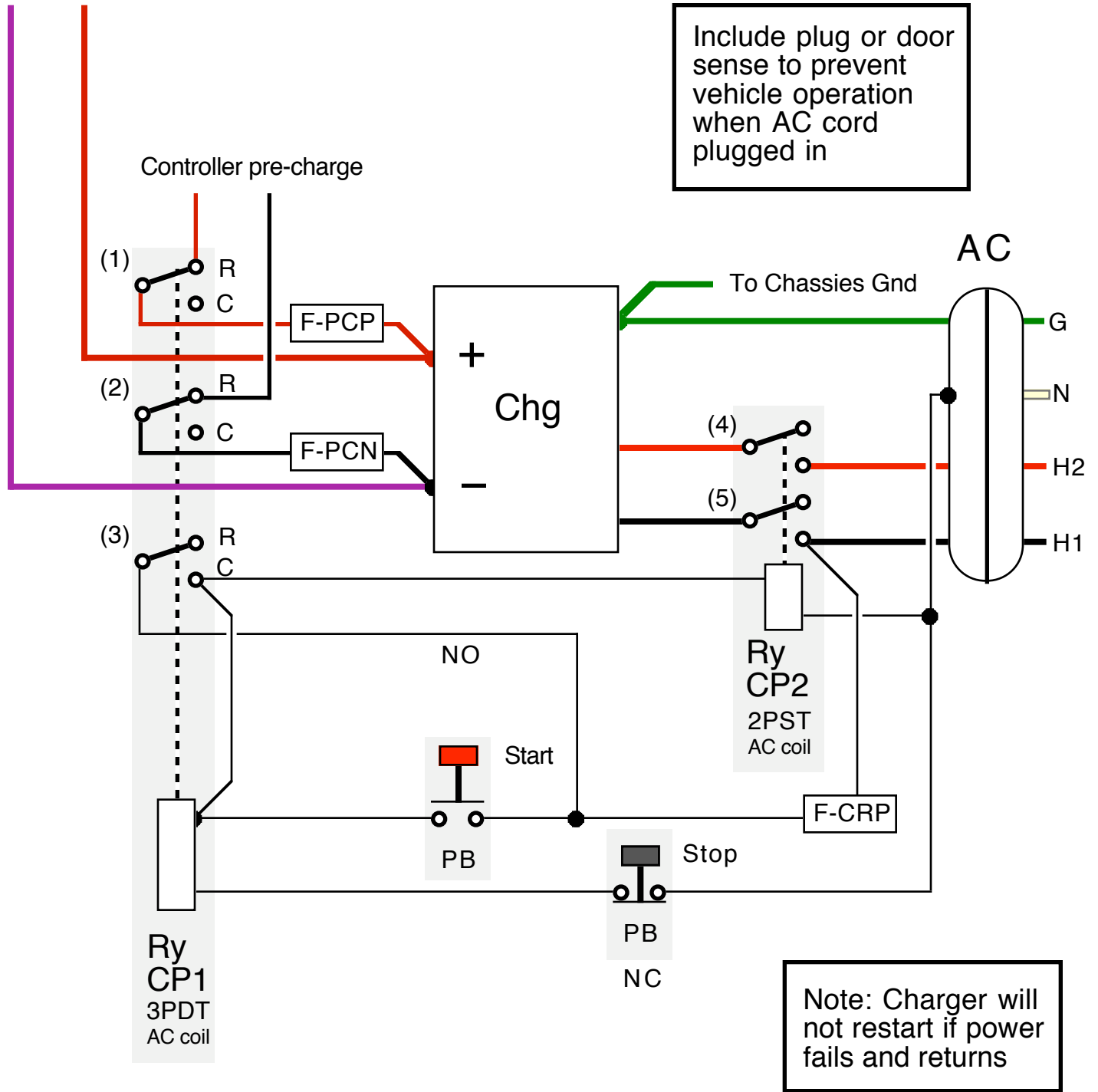


# Charger wired for on-vehicle control of 220VAC power (North America)

To traction battery pack

Include plug or door sense to prevent vehicle operation when AC cord plugged in



Note: Charger will not restart if power fails and returns