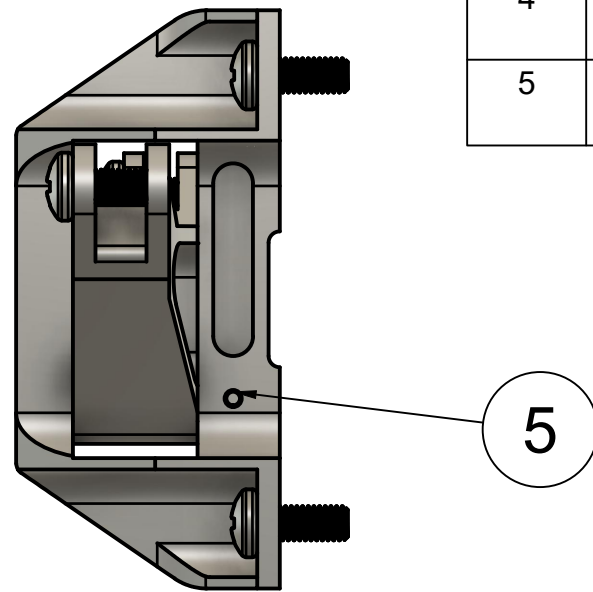
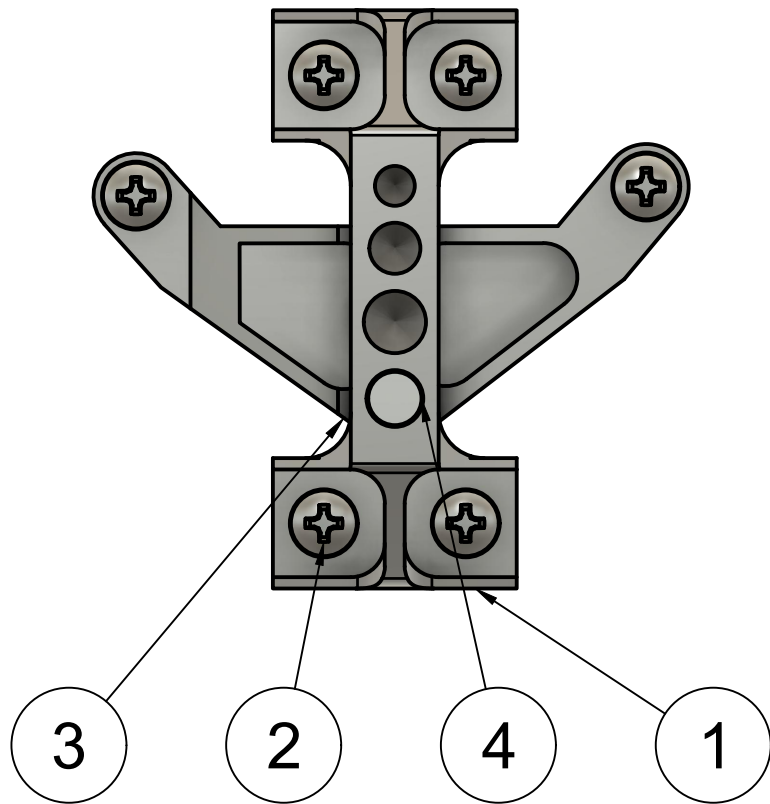


PARTS LIST		
ITEM	QTY	PART NUMBER
1	1	BOTTOM MIDDLE BELL CRANK BASE
2	6	M6 X 16MM - 92000A426
3	1	BOTTOM MIDDLE CRANK
4	1	BOTTOM MIDDLE BELL CRANK PIN
5	1	BOTTOM MIDDLE BC RETAINING PIN



PROJECT			
Project Egress			
TITLE			
Bottom Middle Bell Crank Assembly			
SIZE	Andrew Barth	4/7/2019	REV
A			
SCALE 1	All dimensions in mm	SHEET 1/1	