

6

5

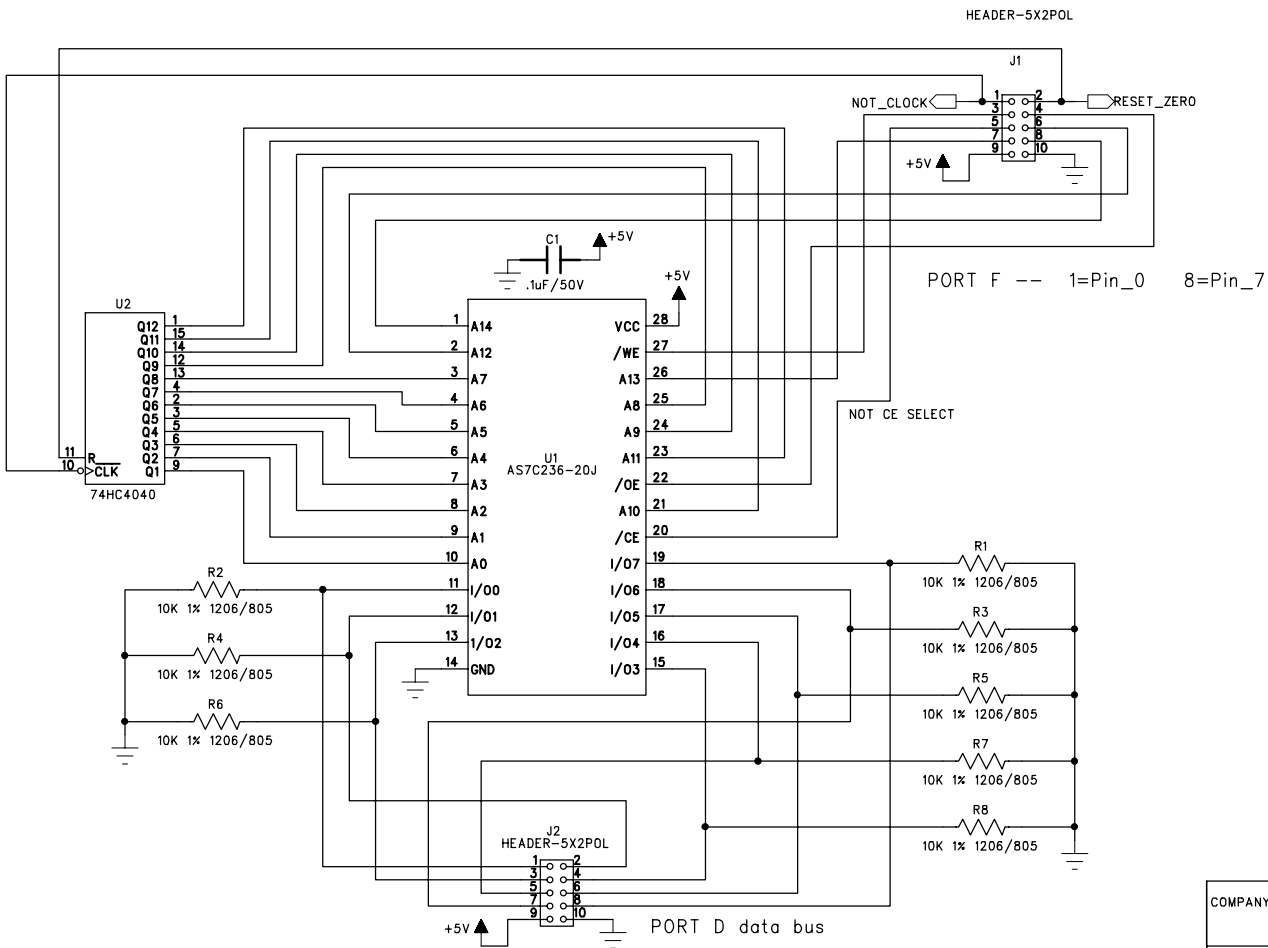
4

3

2

1

REVISION RECORD			
LTR	ECO NO:	APPROVED:	DATE:



PORT F -- 1=Pin_0 8=Pin_7

NOTES:
2 HEADERS ON ONE END OF BD
MOUNTING HOLES ON THE OTHER

COMPANY: J&D Associates			
TITLE: PIC S-SRAM32K			
CODE: -	SIZE: B	DRAWING NO: -	REV: 0
SCALE: -			SHEET: 1 OF 1

DRAWN: D. PERSON	DATED: 1/29/14
CHECKED: S DEJNOZKA	DATED: 1/29/14
QUALITY CONTROL: J. Kondash	DATED: 1/29/14
RELEASED: D. Person	DATED: 1/29/14

D

D

C

C

B

B

A

A