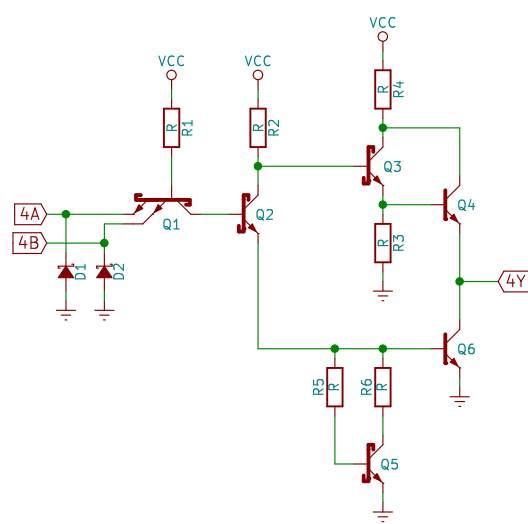
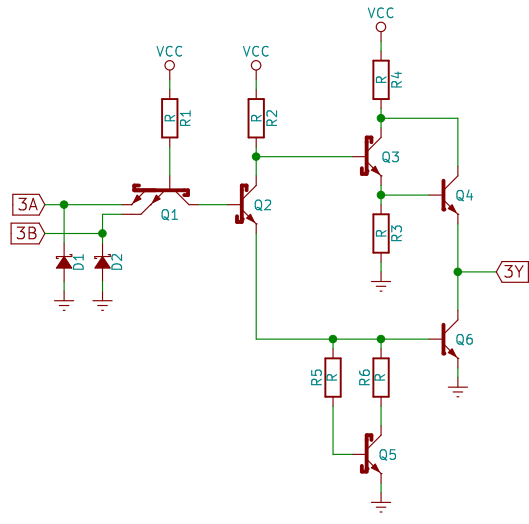
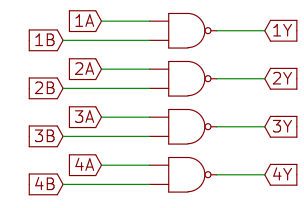


Logical equivalent



Sheet: /  
File: 54S00.sch

**Title:**

Size: A4  
KiCad E.D.A. kicad 4.0.4-stable

Date:

**Rev:**  
Id: 1/1