

Barrel Shifter (3A)

-
-

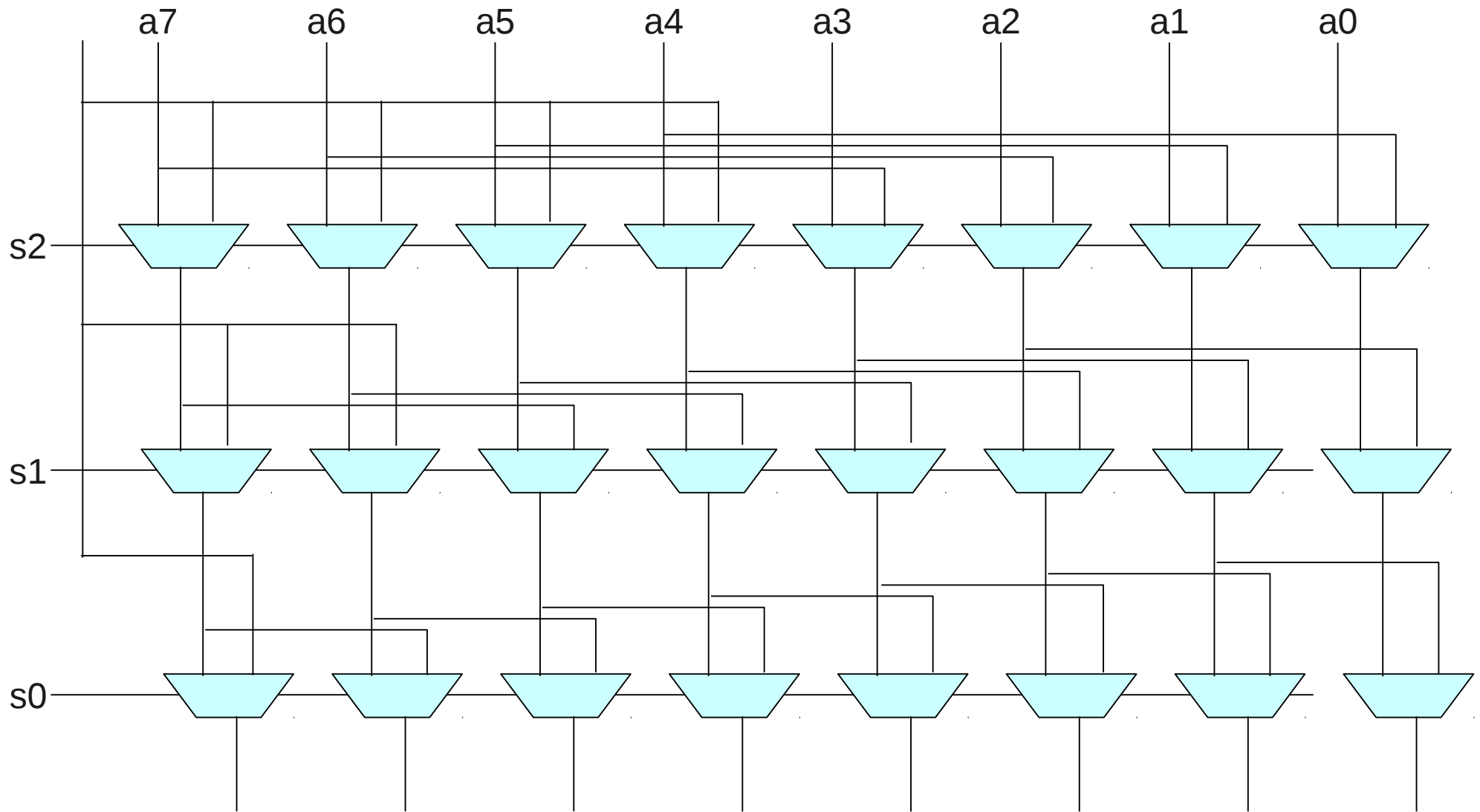
Copyright (c) 2010, 2011, 2012 Young W. Lim.

Permission is granted to copy, distribute and/or modify this document under the terms of the GNU Free Documentation License, Version 1.2 or any later version published by the Free Software Foundation; with no Invariant Sections, no Front-Cover Texts, and no Back-Cover Texts. A copy of the license is included in the section entitled "GNU Free Documentation License".

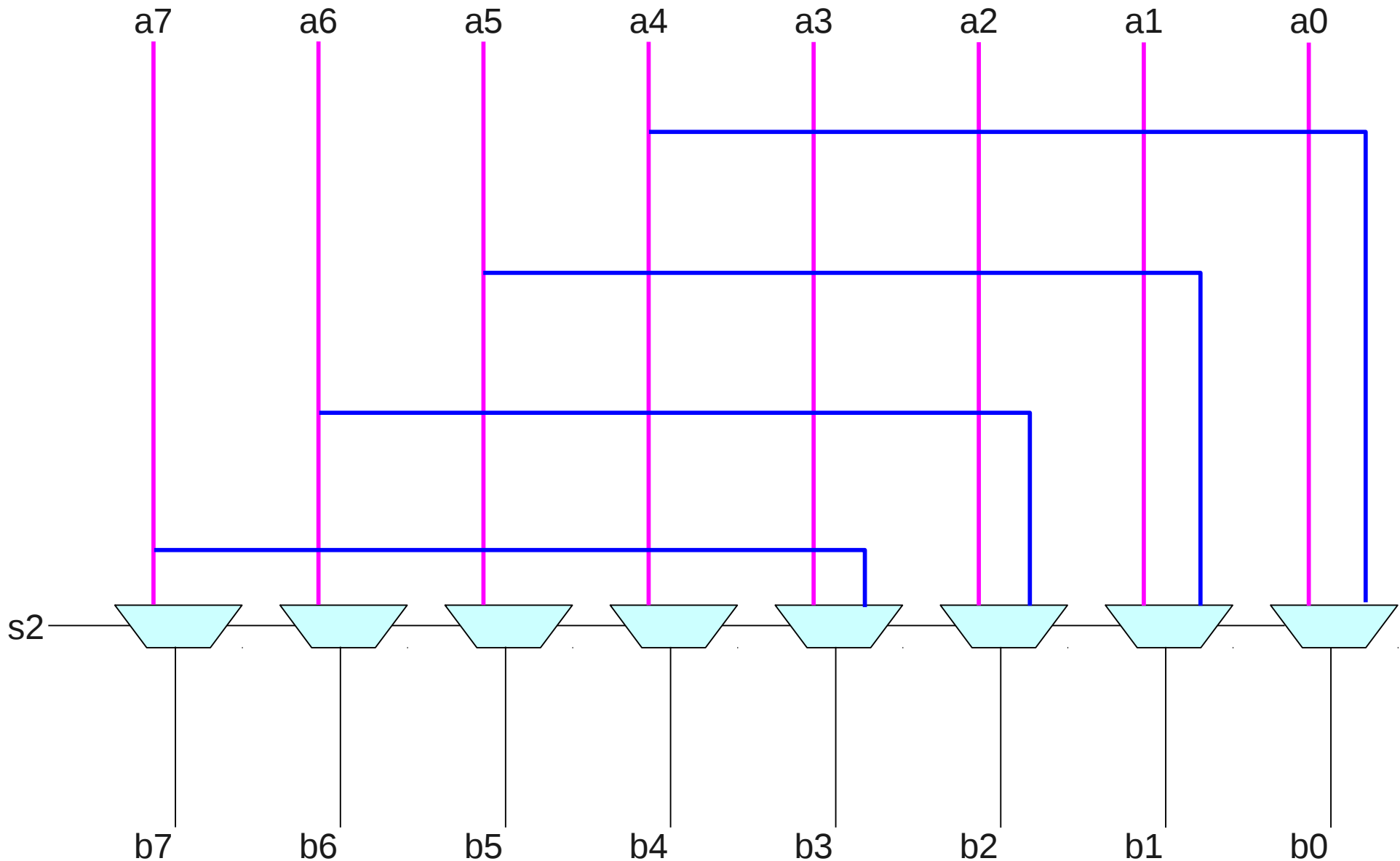
Please send corrections (or suggestions) to youngwlim@hotmail.com.

This document was produced by using OpenOffice and Octave.

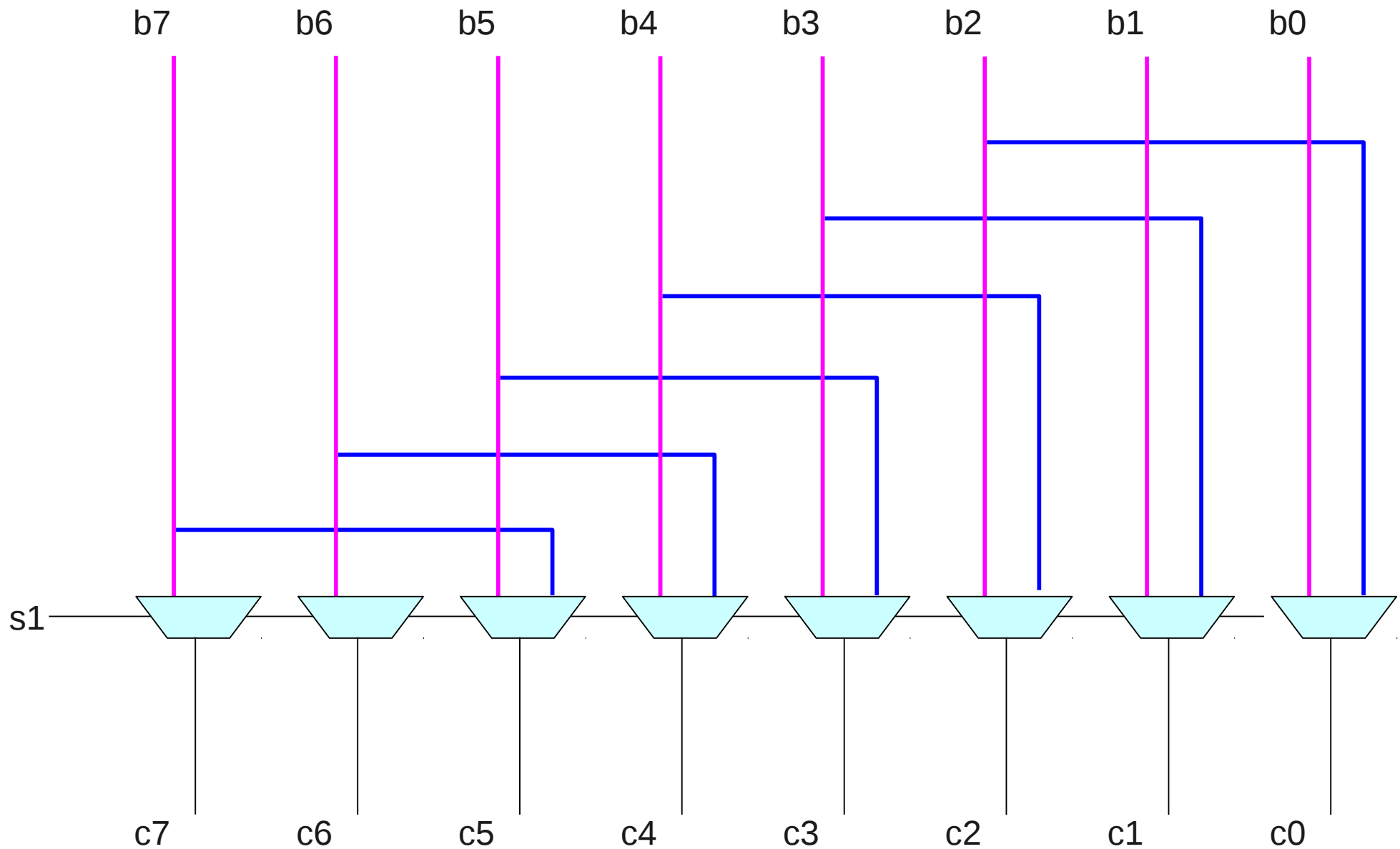
Mux-based Barrel Shifter



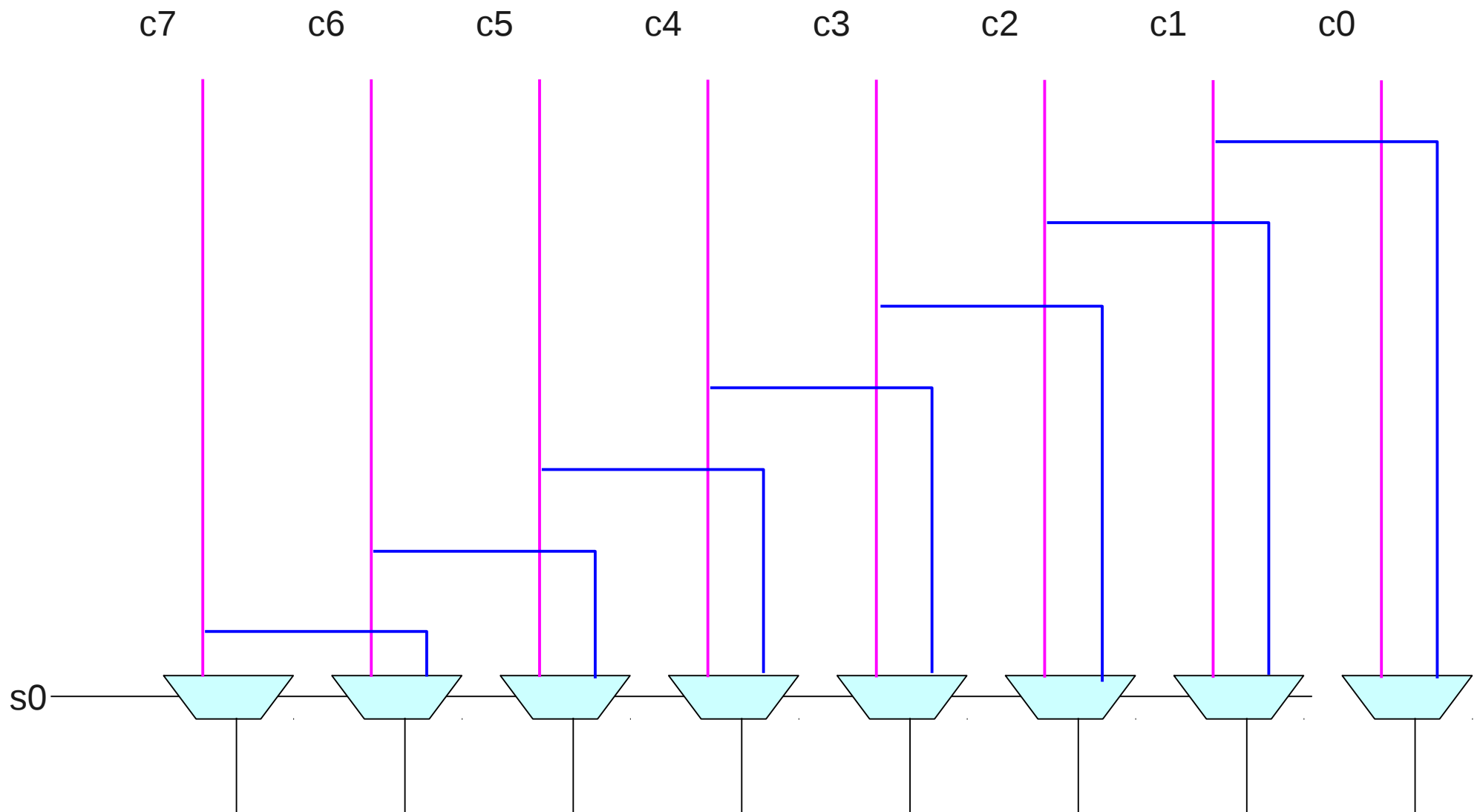
Mux-based Barrel Shifter (level 2)



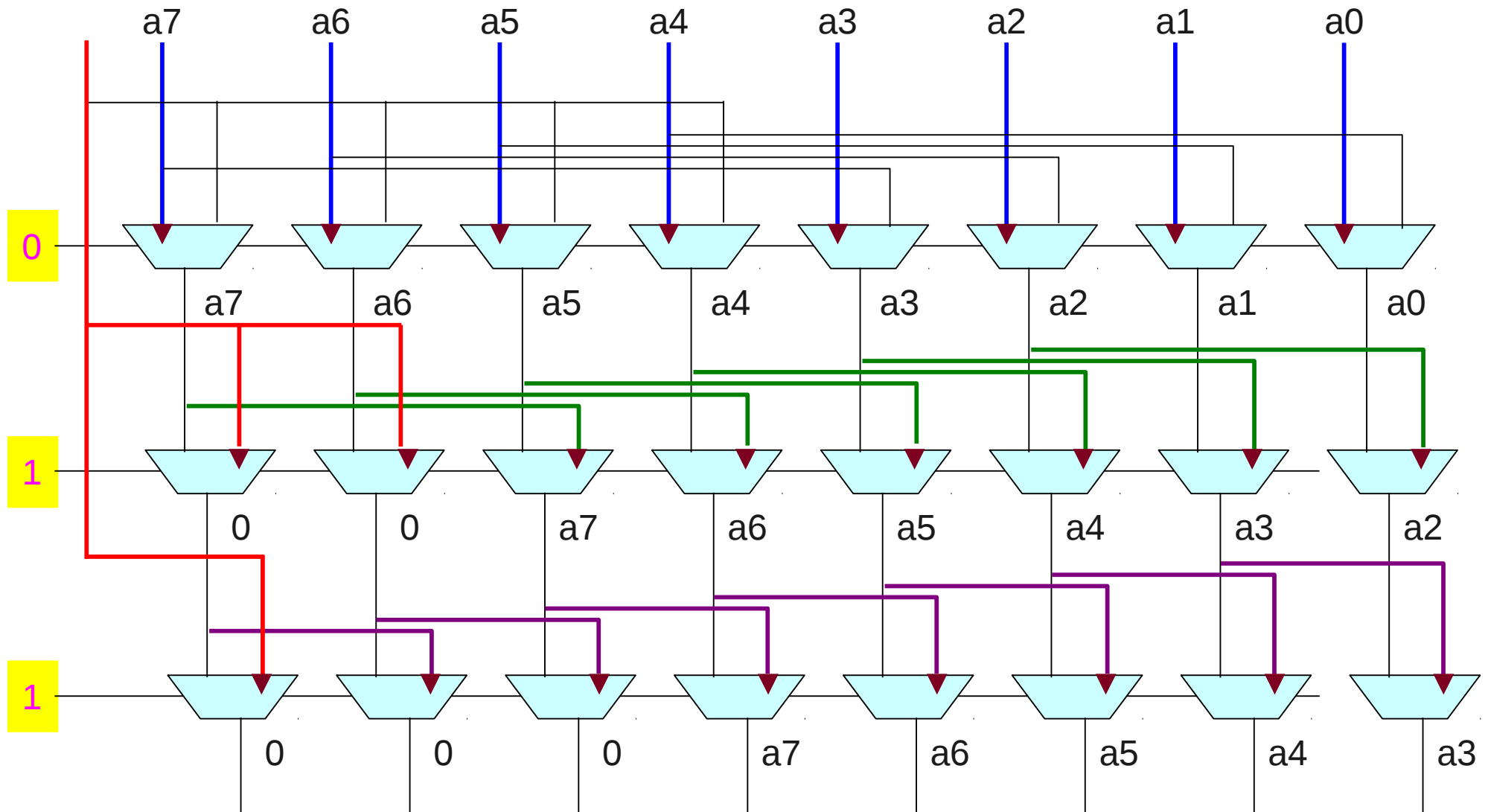
Mux-based Barrel Shifter (level 1)



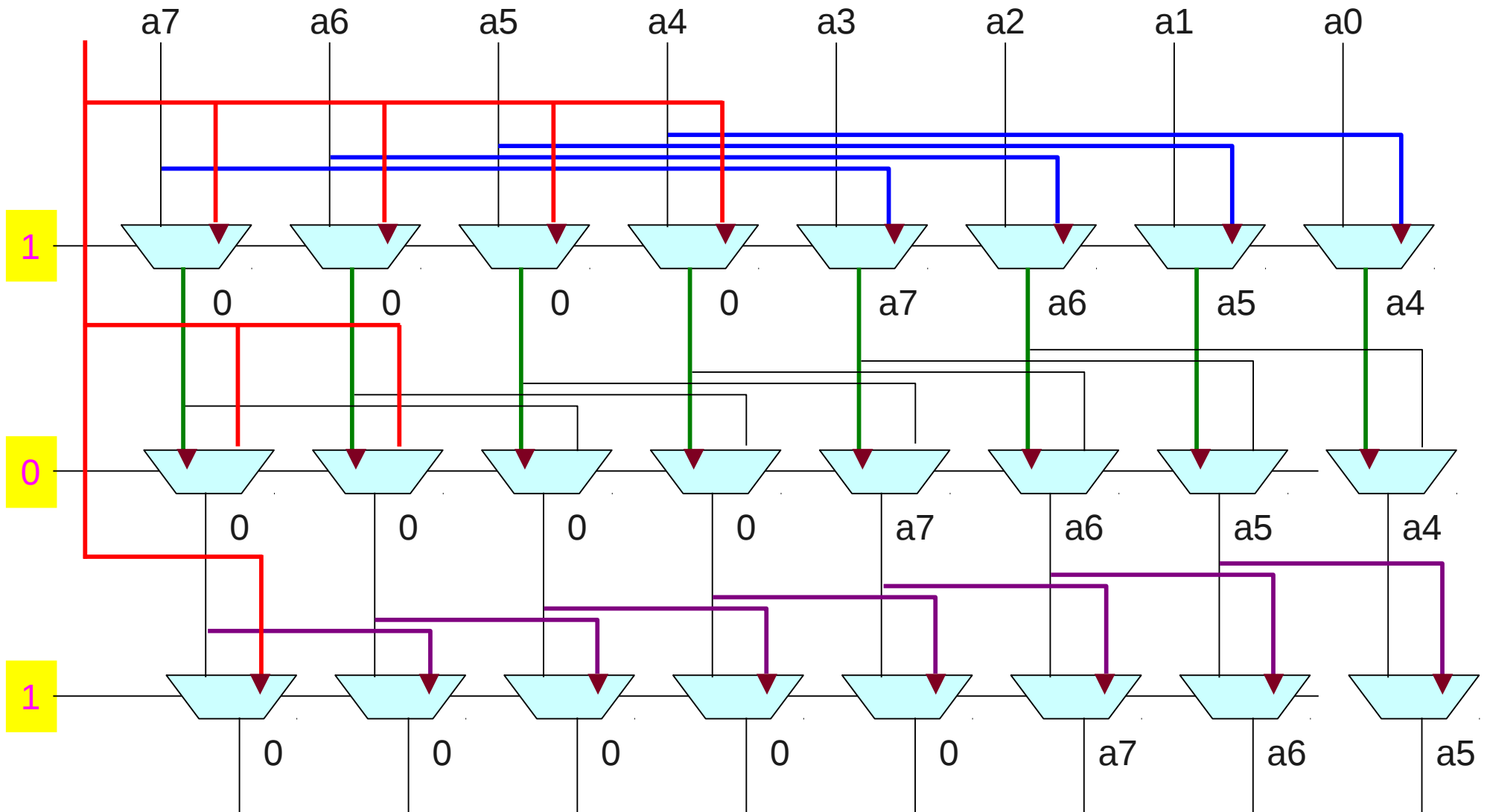
Mux-based Barrel Shifter (level 0)



Example $s=011$ (1)



Example $s=101$ (2)



Angle

References

- [1] <http://en.wikipedia.org/>
- [2] M. R. Pillmeier, "Design Alternatives for barrel shifters"