

HW

-

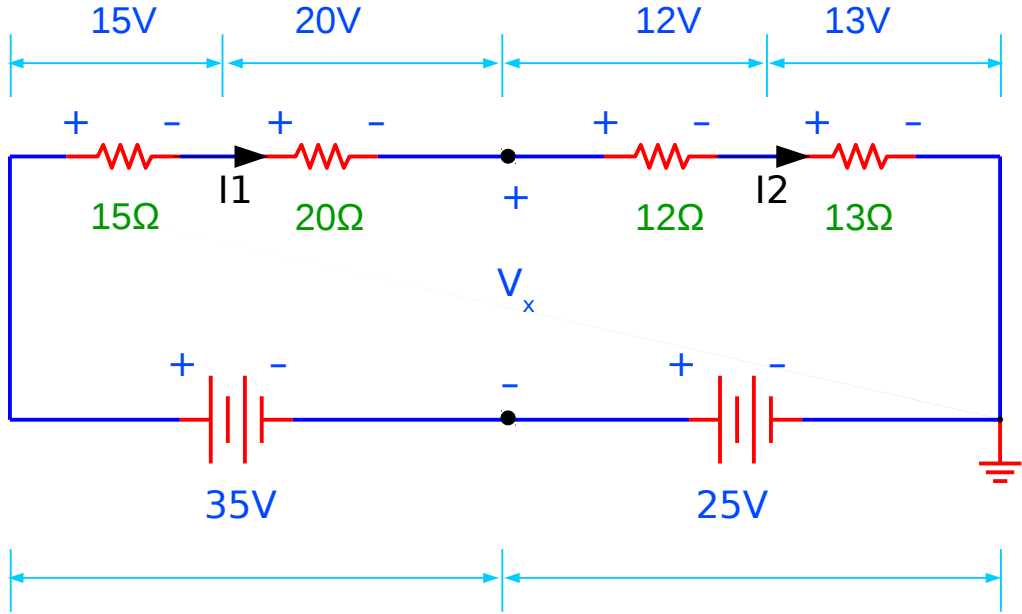
Copyright (c) 2015 Young W. Lim.

Permission is granted to copy, distribute and/or modify this document under the terms of the GNU Free Documentation License, Version 1.2 or any later version published by the Free Software Foundation; with no Invariant Sections, no Front-Cover Texts, and no Back-Cover Texts. A copy of the license is included in the section entitled "GNU Free Documentation License".

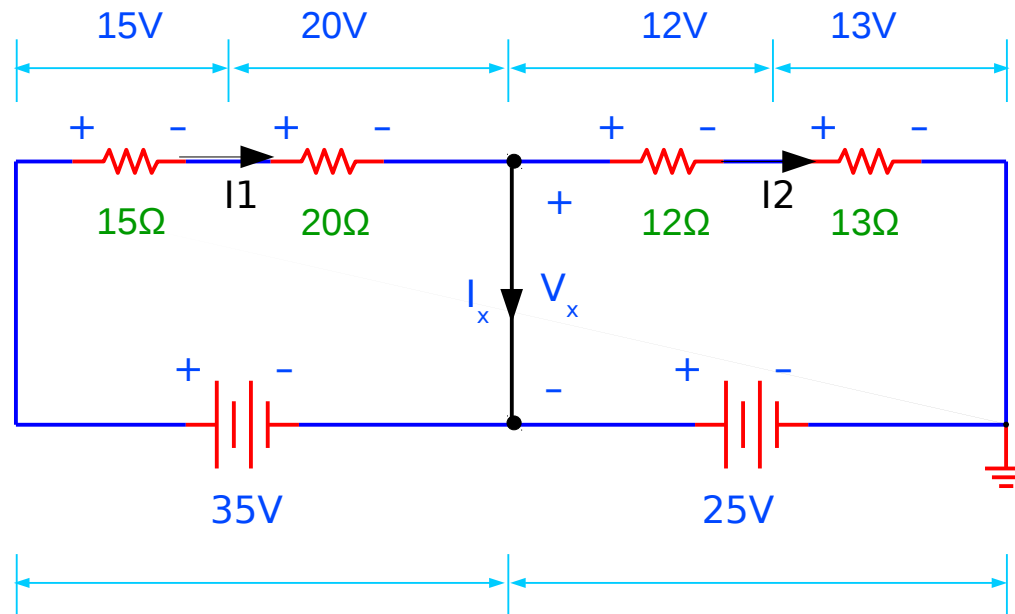
Please send corrections (or suggestions) to youngwlim@hotmail.com.

This document was produced by using OpenOffice and Octave.

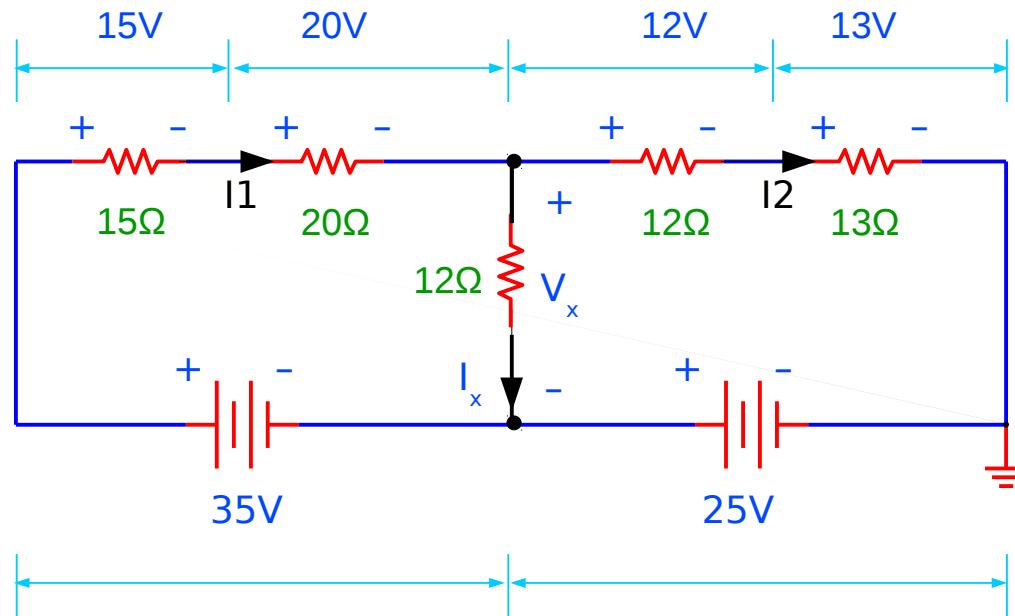
V_x, I_1, I_2



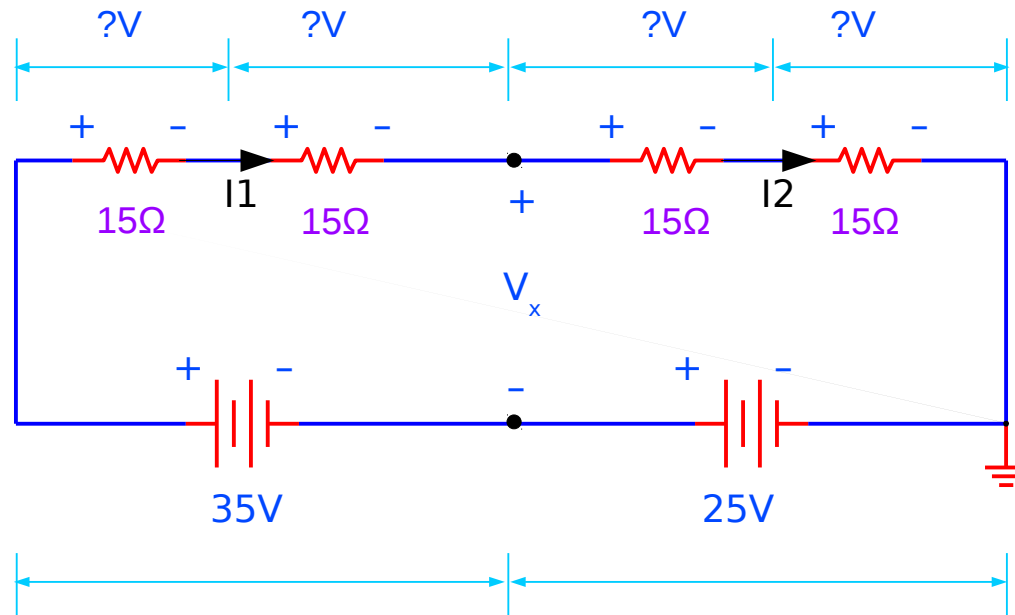
V_x , I_x , I_1 , I_2



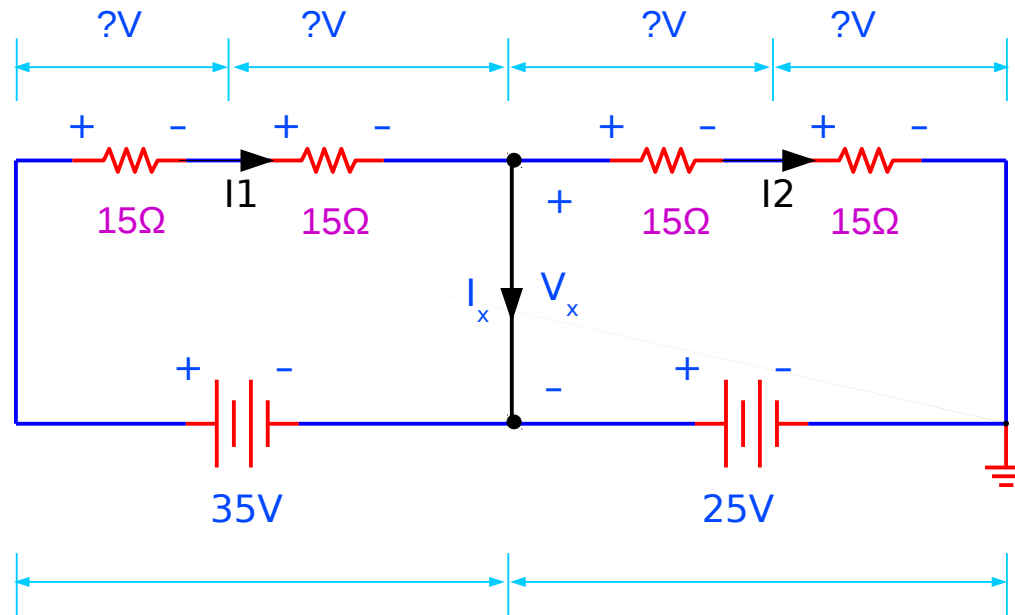
V_x , I_x , I_1 , I_2



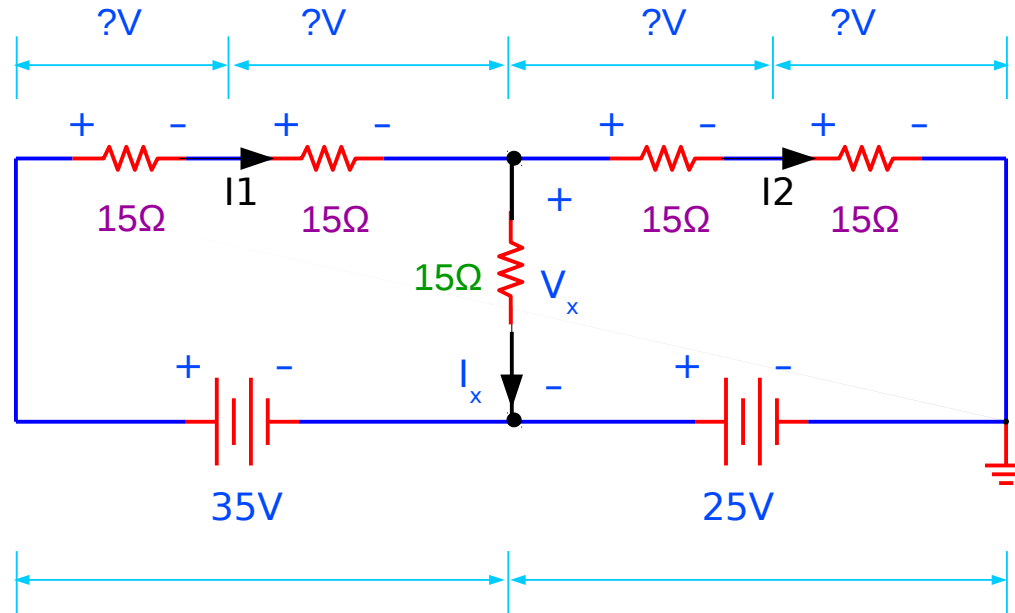
V_x , I_1 , I_2

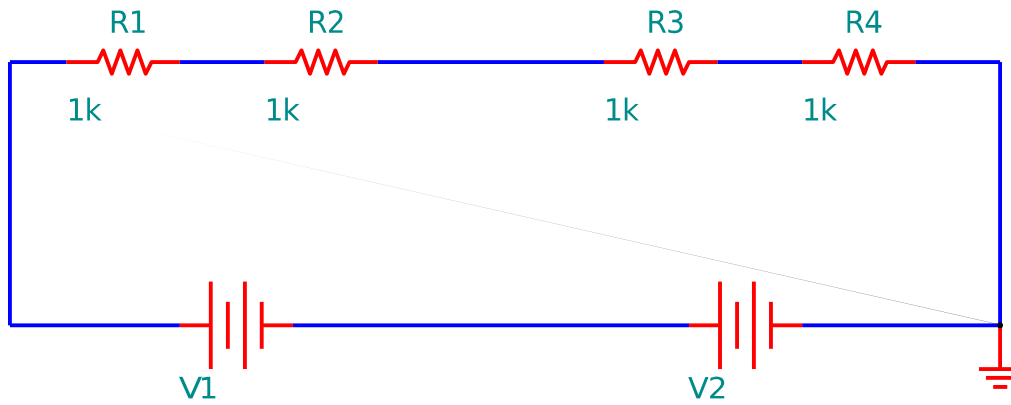


V_x , I_x , I_1 , I_2



V_x , I_x , I_1 , I_2





References

- [1] <http://en.wikipedia.org/>
- [2] www.allaboutcircuits.com
- [3]