

OP Amp Basics (H.1)

20170215

Copyright (c) 2016 - 2017 Young W. Lim.

Permission is granted to copy, distribute and/or modify this document under the terms of the GNU Free Documentation License, Version 1.2 or any later version published by the Free Software Foundation; with no Invariant Sections, no Front-Cover Texts, and no Back-Cover Texts. A copy of the license is included in the section entitled "GNU Free Documentation License".

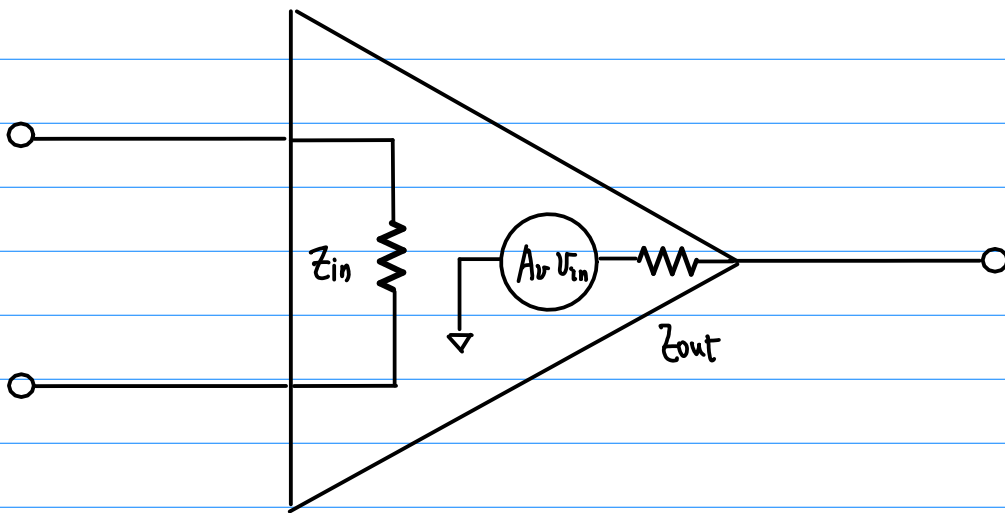
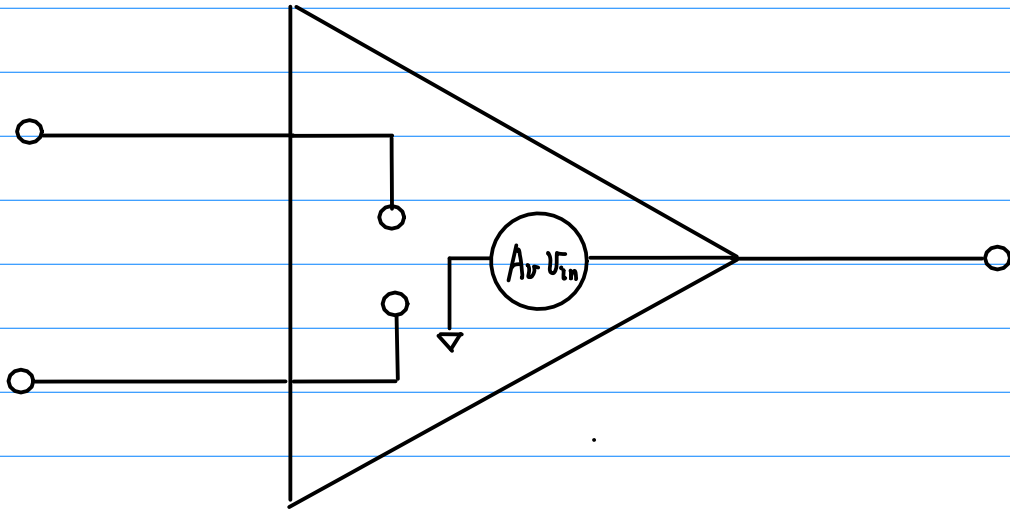
References

Based

[1] Floyd, Electronic Devices 7th ed

[2] Cook,

[2] en.wikipedia.org



OP Amp Parameters

Input Offset Voltage

Input Bias Current

Input Impedance

Input Offset Current

Output Impedance

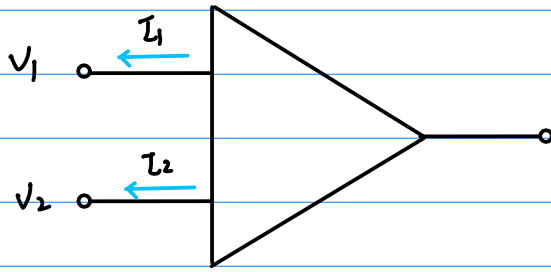
Common Mode Input Voltage Range

Open-Loop Voltage Gain

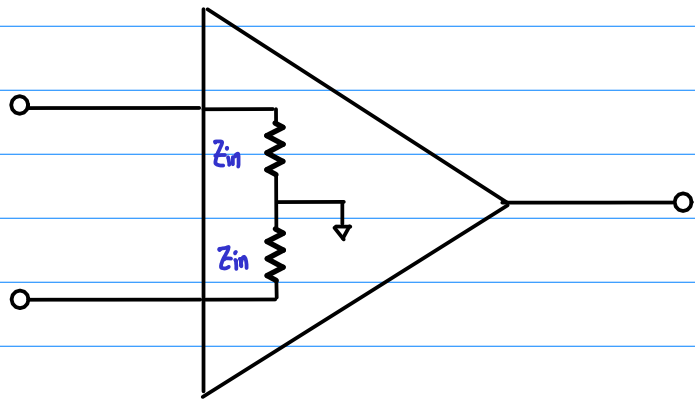
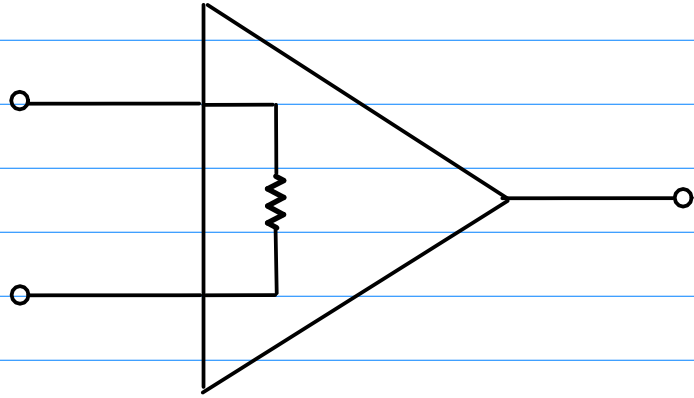
Common-Mode Rejection Ratio

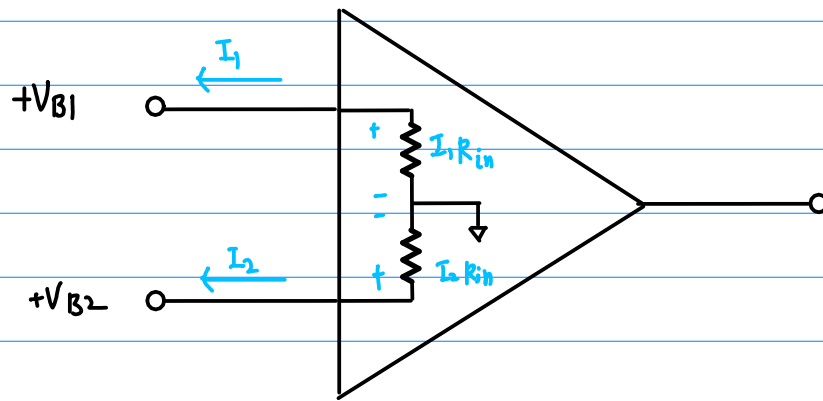
Slew Rate

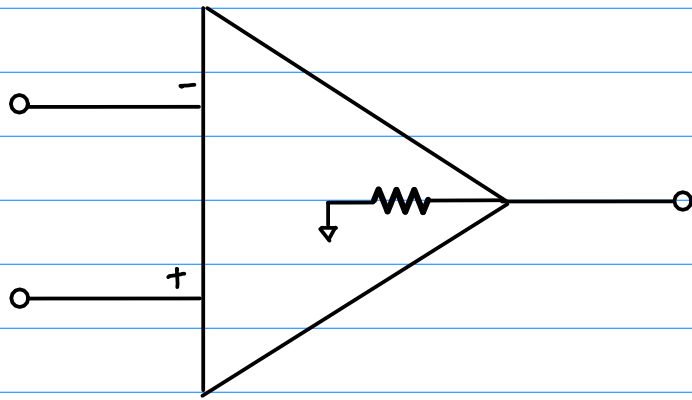
Frequency Response

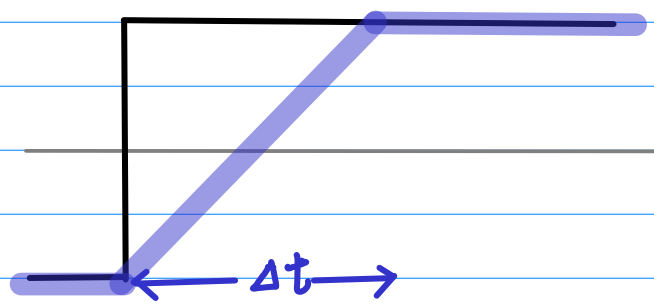
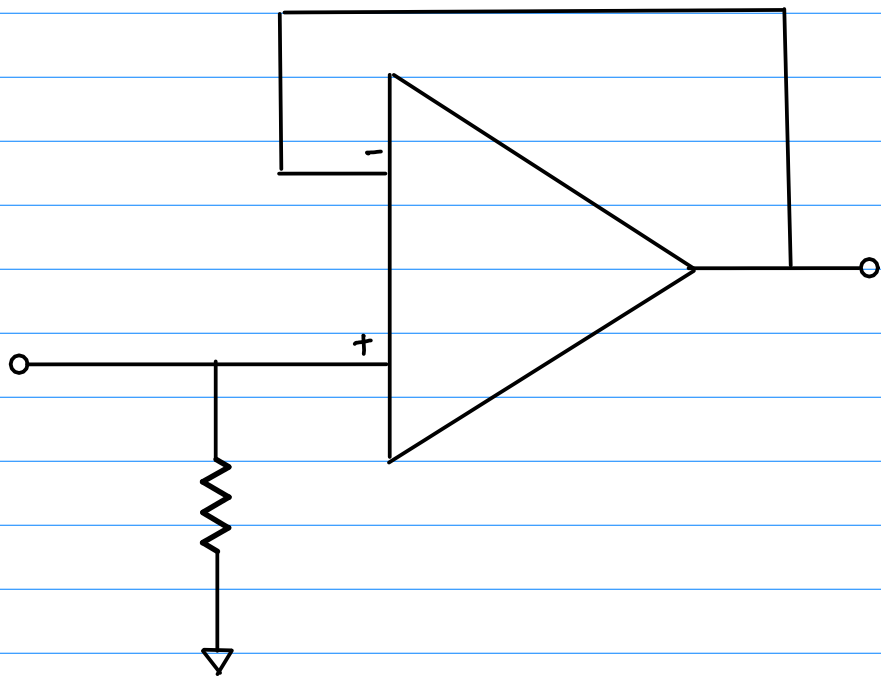


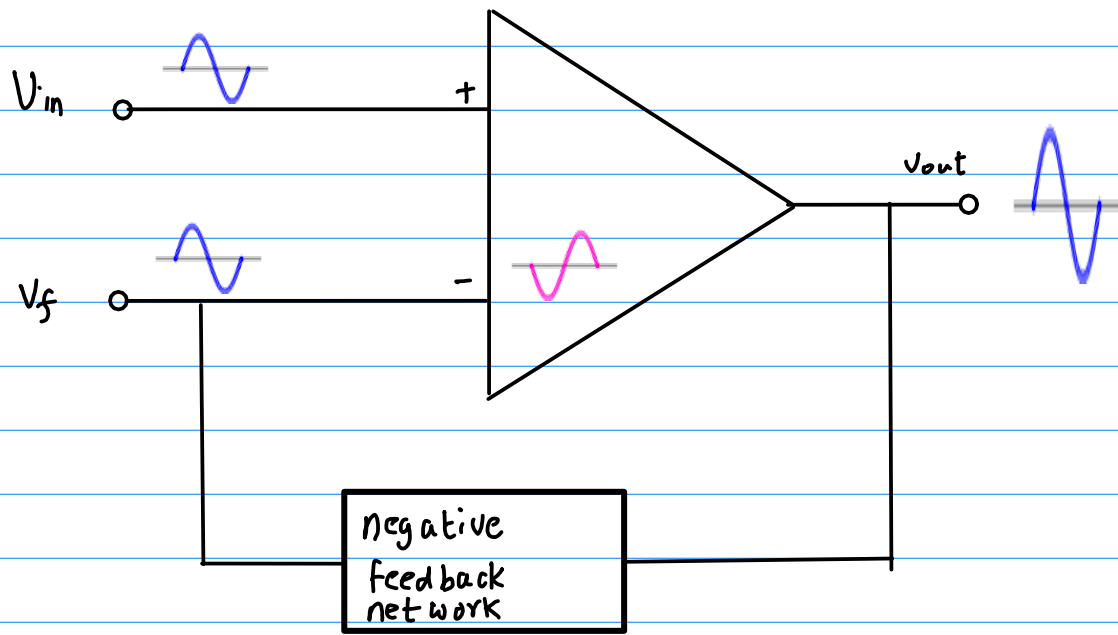
$$\bar{I}_{BIAS} = \frac{I_1 + I_2}{2}$$

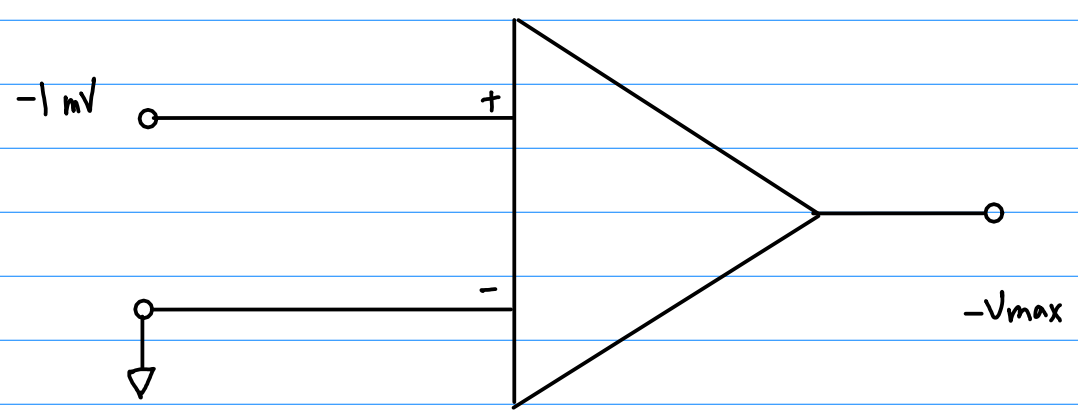
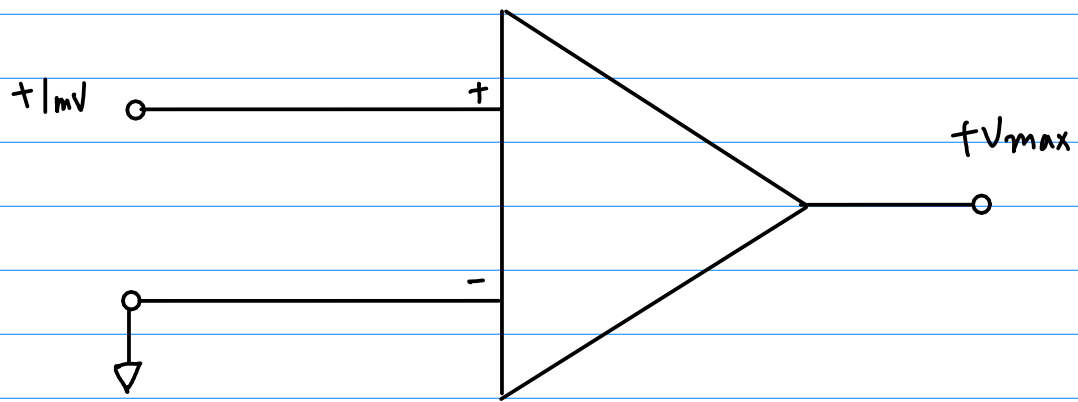


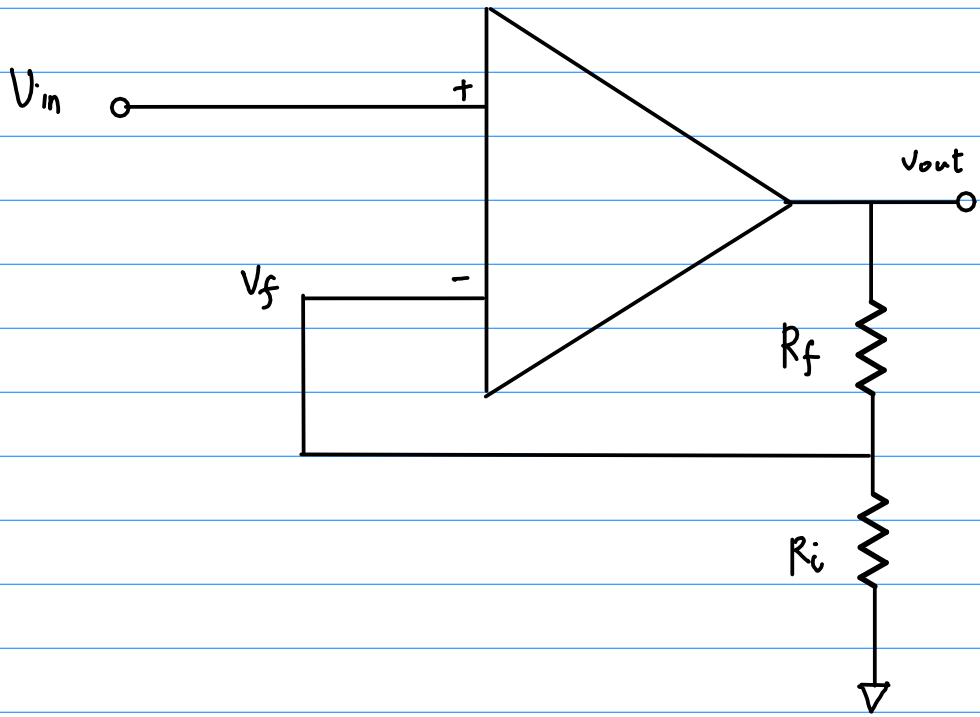




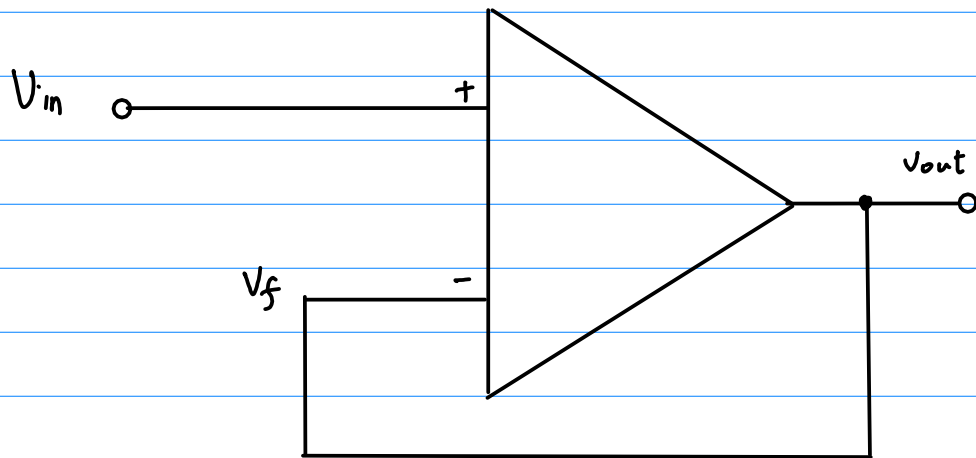




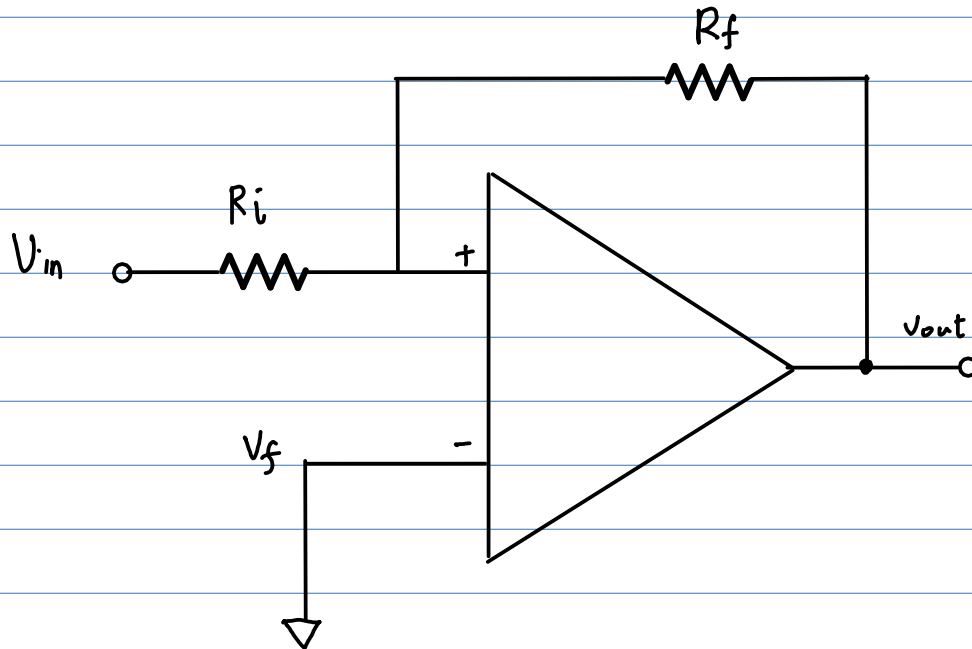


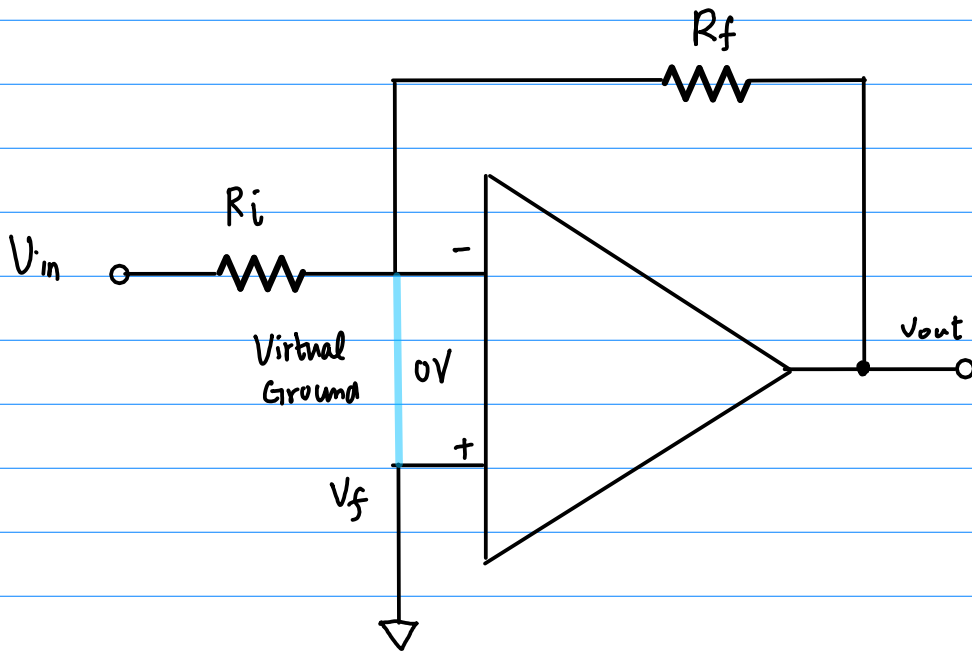


Voltage follower

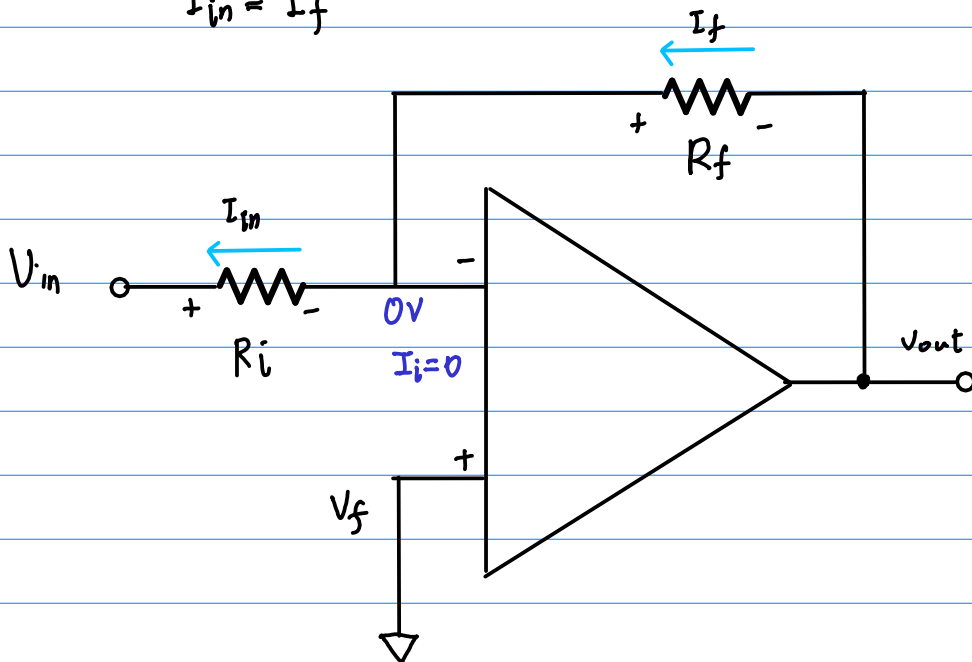


Inverting Amplifier

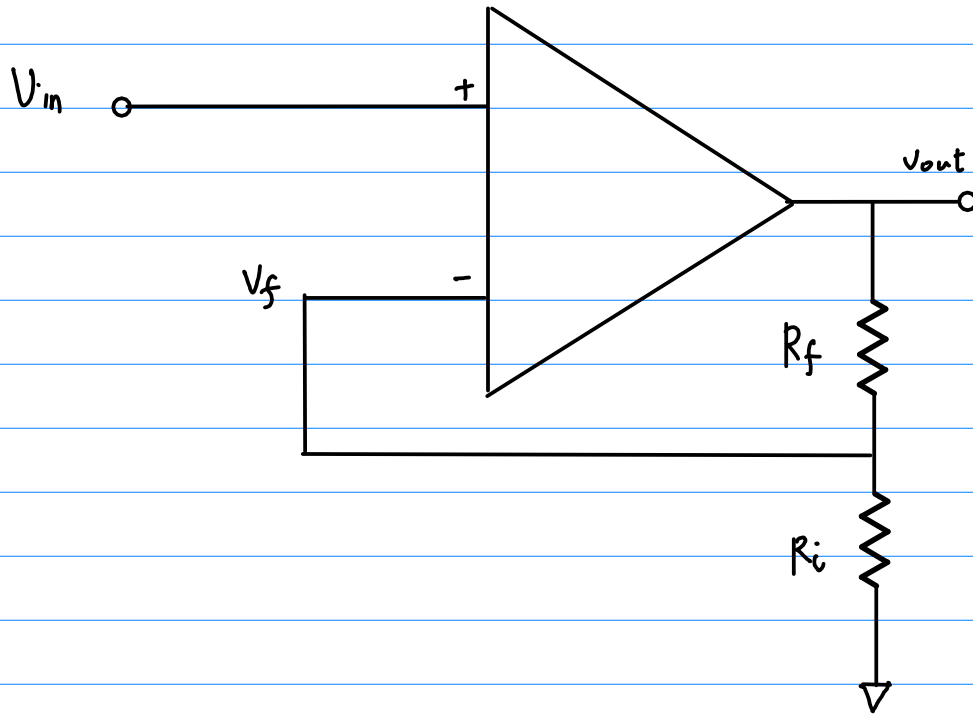




$$I_{in} = I_f$$



Non-inverting Amplifier



Inverting Amplifier Impedance

