

BJT Bias Operating Point (H.4)

20170116

Copyright (c) 2016 - 2017 Young W. Lim.

Permission is granted to copy, distribute and/or modify this document under the terms of the GNU Free Documentation License, Version 1.2 or any later version published by the Free Software Foundation; with no Invariant Sections, no Front-Cover Texts, and no Back-Cover Texts. A copy of the license is included in the section entitled "GNU Free Documentation License".

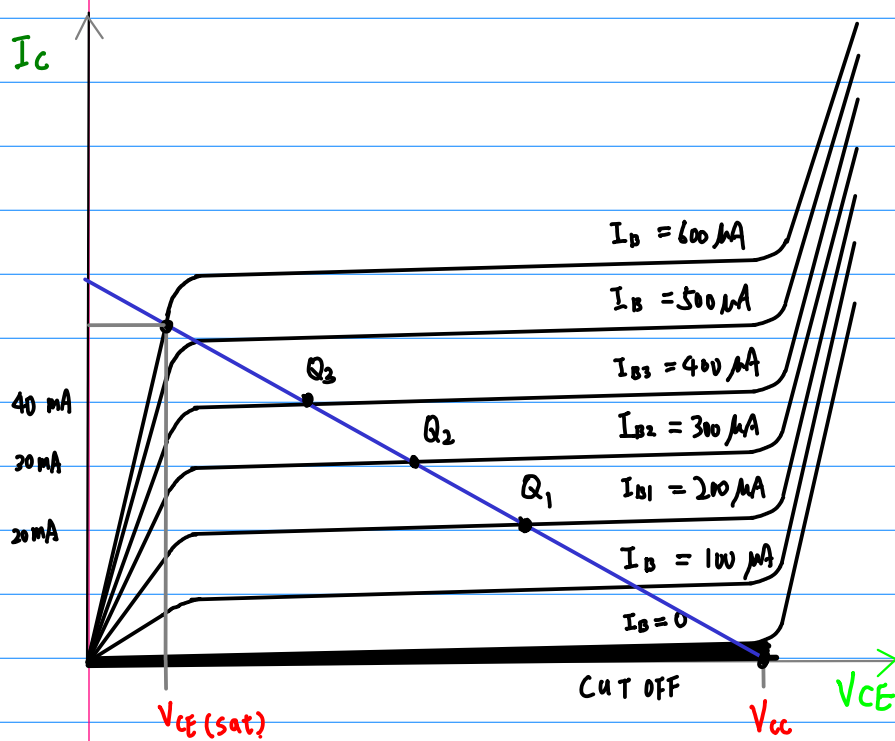
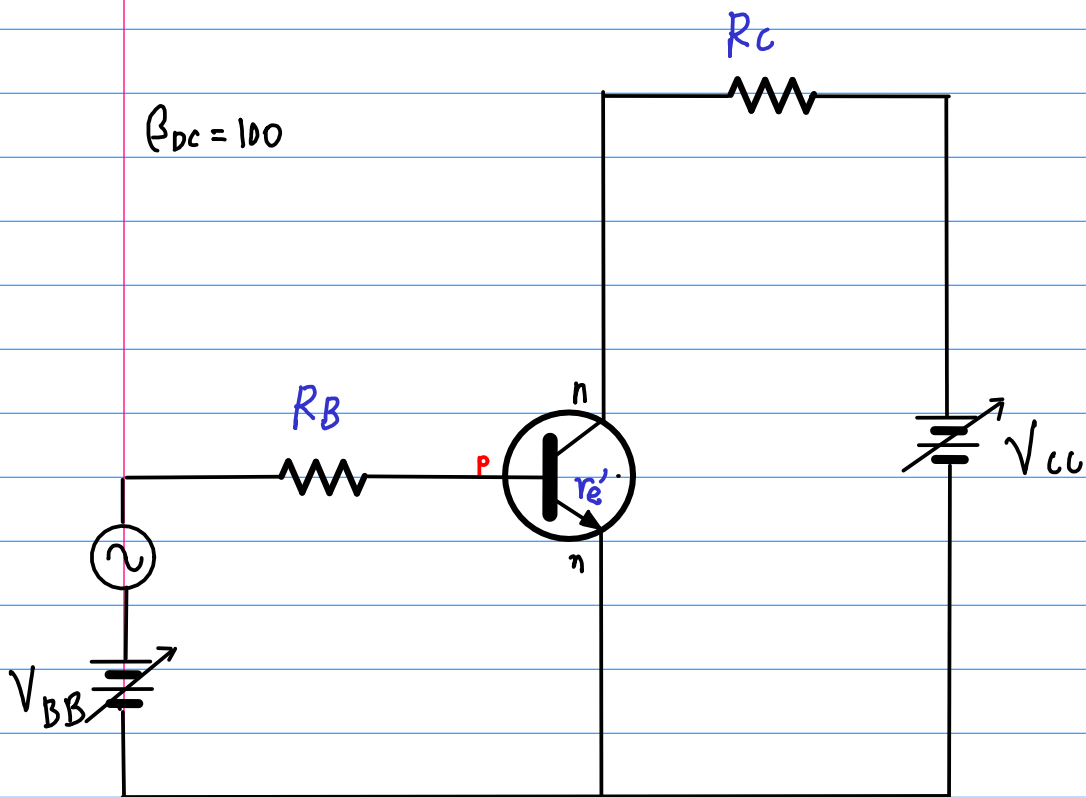
References

Based

[1] Floyd, Electronic Devices 7th ed

[2] Cook,

[2] en.wikipedia.org



$\beta_{DC} = 100$

$I_{B3} = 400 \mu A$	$\rightarrow \times 100 \rightarrow$	$I_{C3} = 40 mA$
$I_{B2} = 300 \mu A$	$\rightarrow \times 100 \rightarrow$	$I_{C2} = 30 mA$
$I_{B1} = 200 \mu A$	$\rightarrow \times 100 \rightarrow$	$I_{C1} = 20 mA$

