

BJT Amplifier Overview (H.9)

20170517

Copyright (c) 2016 - 2017 Young W. Lim.

Permission is granted to copy, distribute and/or modify this document under the terms of the GNU Free Documentation License, Version 1.2 or any later version published by the Free Software Foundation; with no Invariant Sections, no Front-Cover Texts, and no Back-Cover Texts. A copy of the license is included in the section entitled "GNU Free Documentation License".

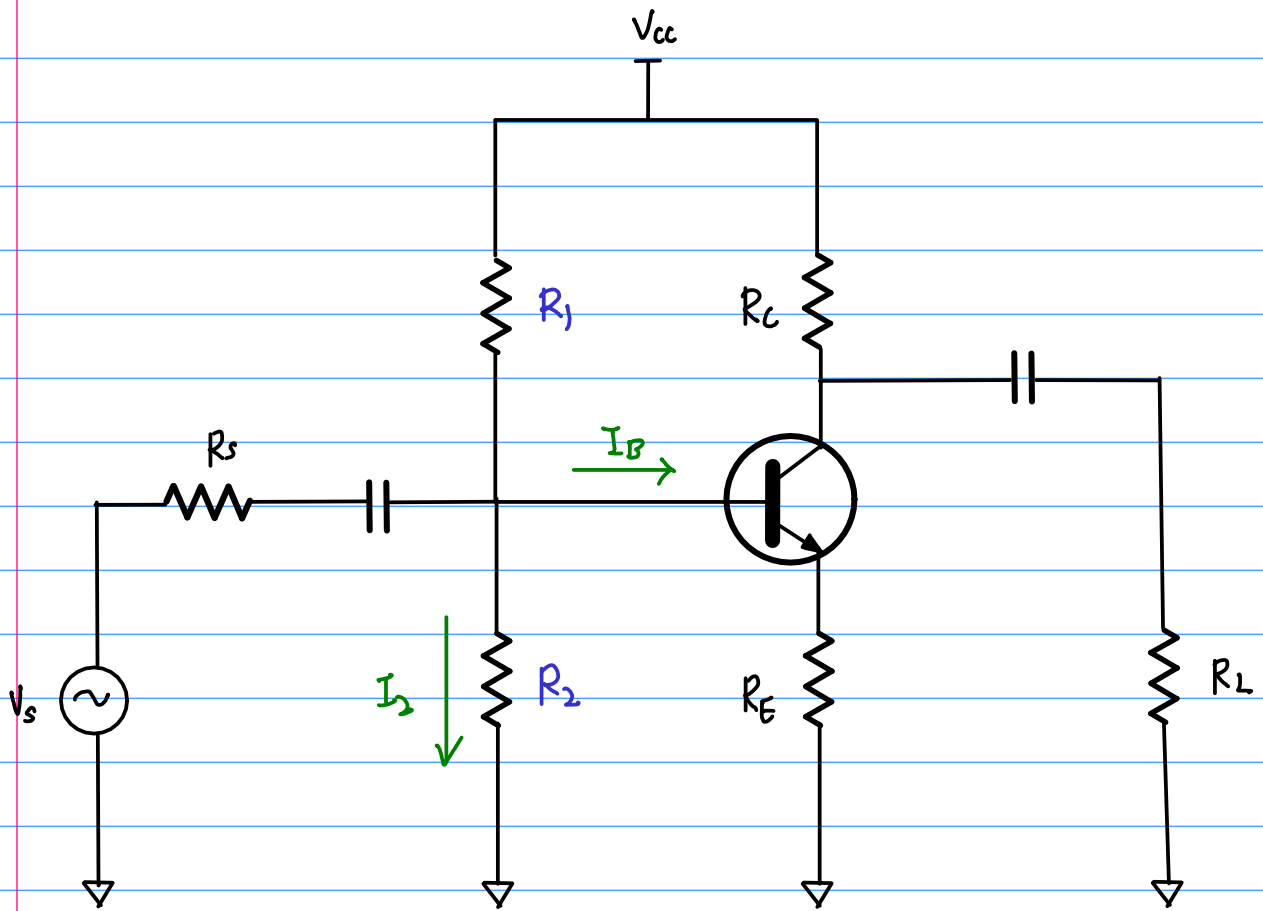
References

Based

[1] Floyd, Electronic Devices 7th ed

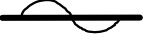
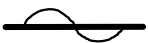
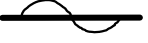
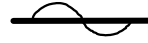
[2] Cook,

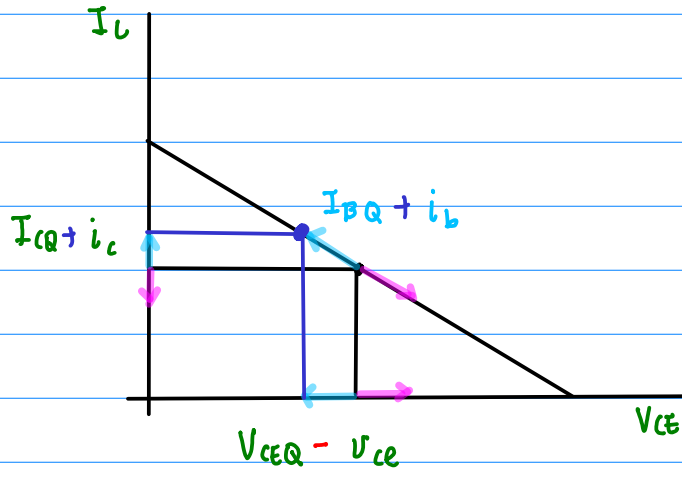
[2] en.wikipedia.org



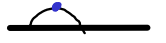
I_C	I_c
I_E	I_e
I_B	I_b
V_{CE}	V_{ce}

I_C	I_E	I_B	V_{CE}	DC quantities
I_c	I_e	I_b	V_{ce}	ac quantities (rms, peak, peak-to-peak)
i_c	i_e	i_b	v_{ce}	instantaneous quantities

V_{BQ}	—	+	V_b	~	=	$V_{BQ} + V_b$	
I_B	—	+	I_b	~	=	$I_B + I_b$	
V_{CEQ}	—	+	V_{ce}	~	=	$V_{CEQ} + V_{ce}$	
I_{CQ}	—	+	I_c	~	=	$I_{CQ} + I_c$	



$$V_{BQ} + v_b$$



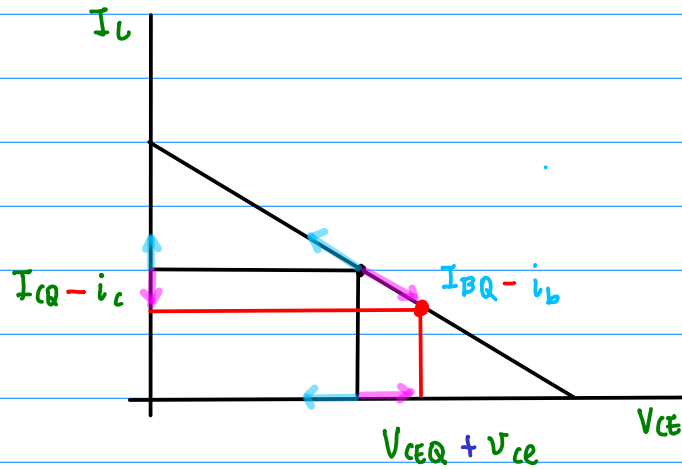
$$I_B + i_b$$



$$V_{CEQ} - v_{ce}$$



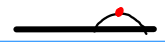
$$I_{CQ} + i_c$$



$$V_{BQ} - v_b$$



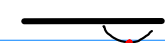
$$I_B - i_b$$

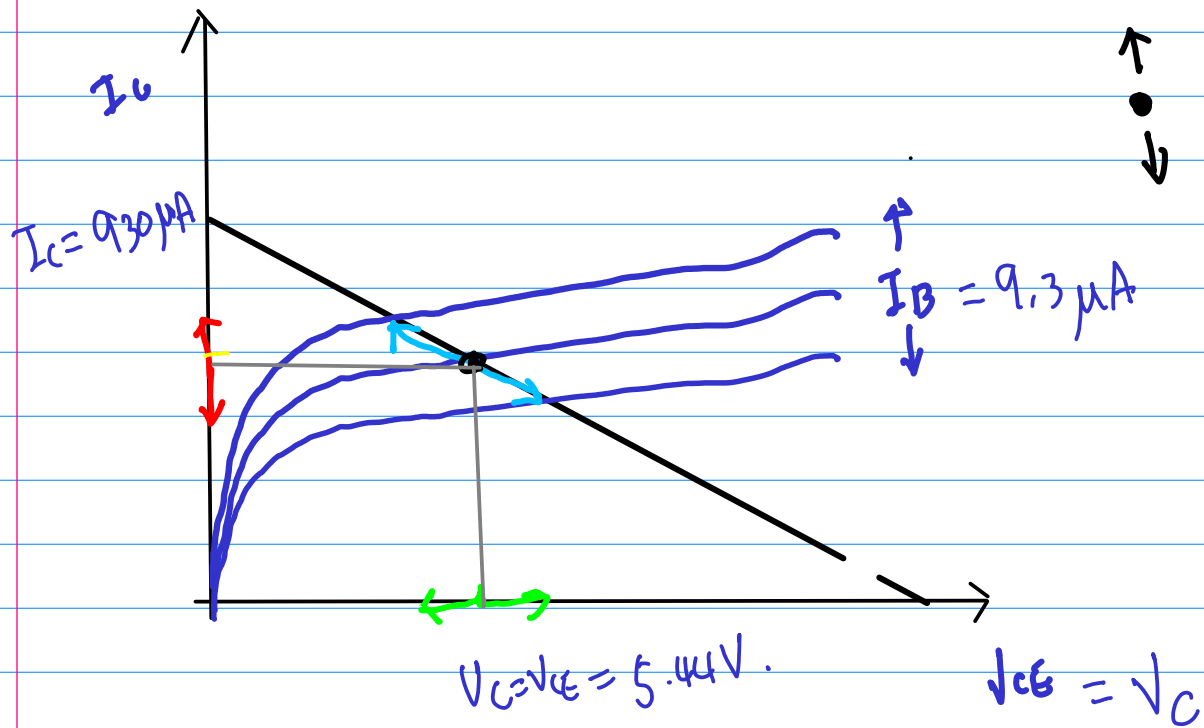


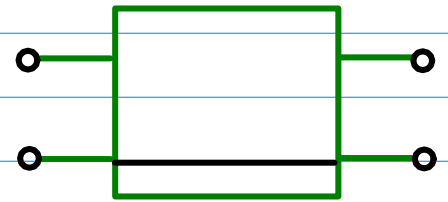
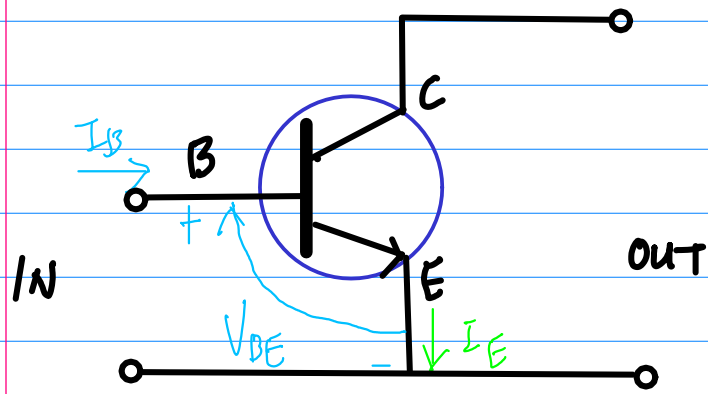
$$V_{CEQ} + v_{ce}$$



$$I_{CQ} - i_c$$

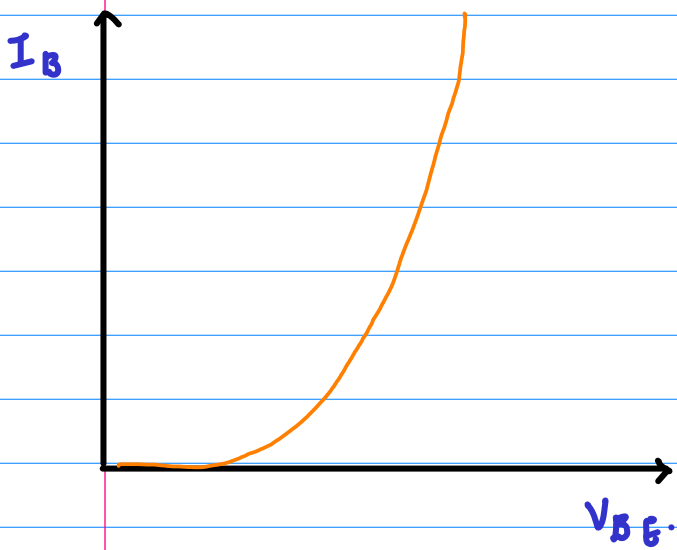




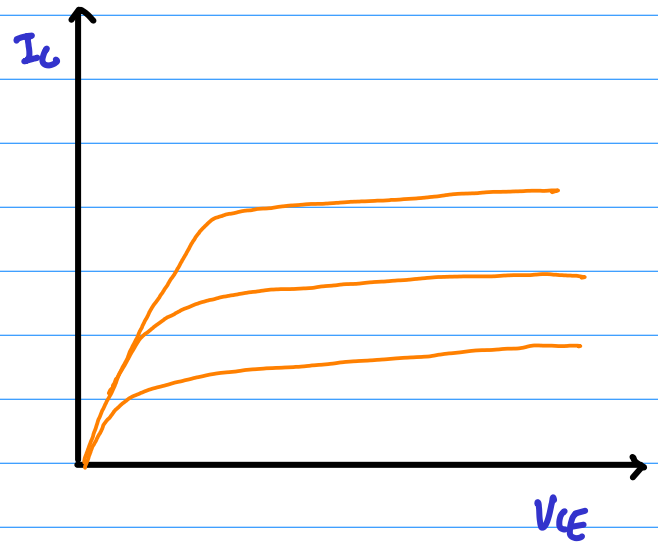


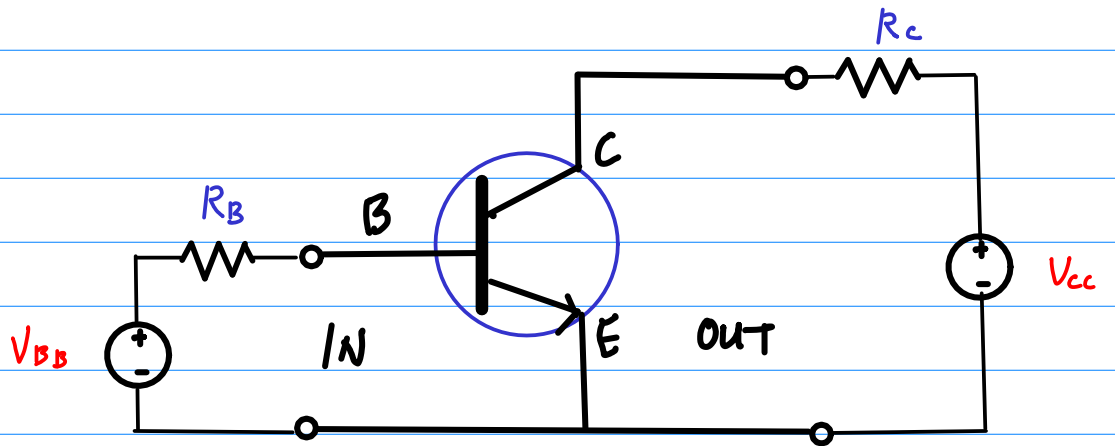
Common emitter

IN - Characteristic



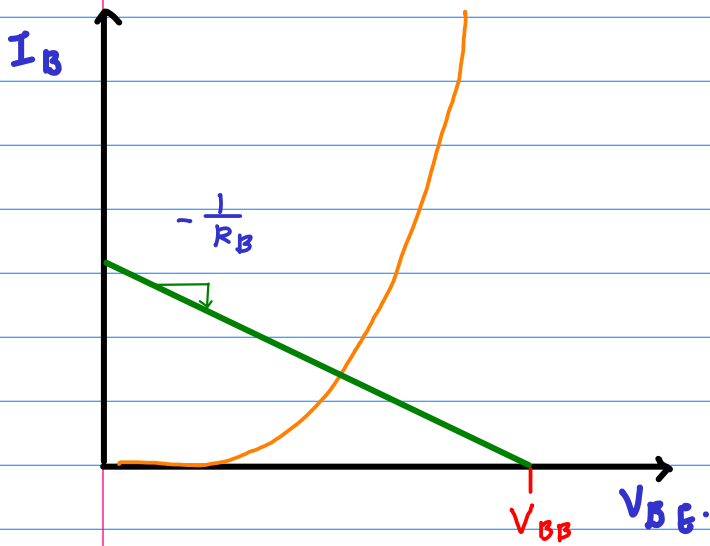
OUT - Characteristic



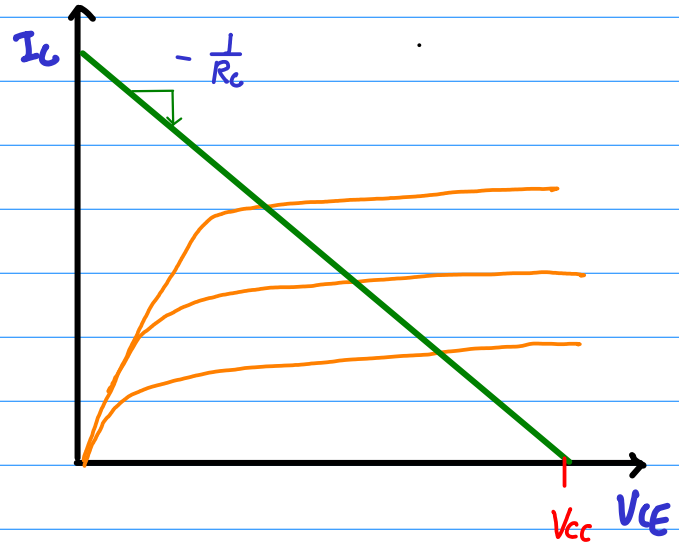


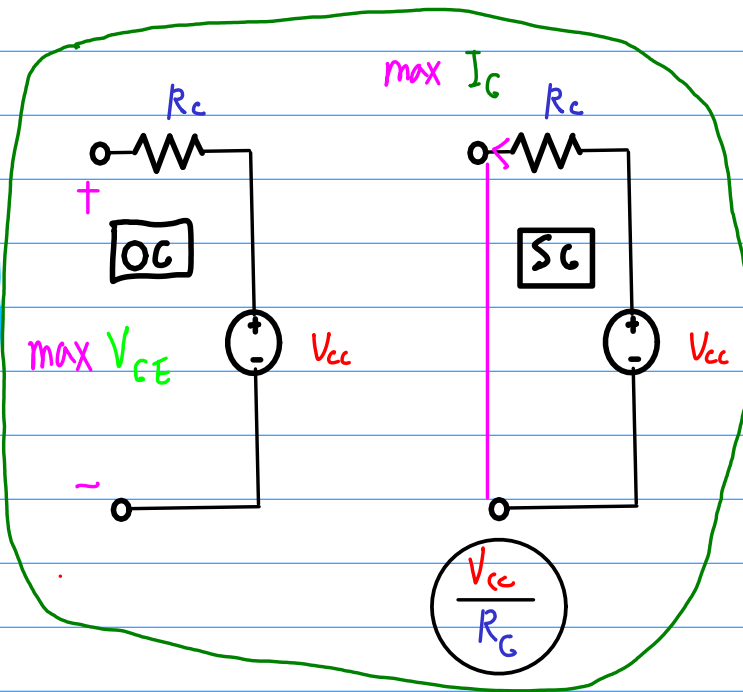
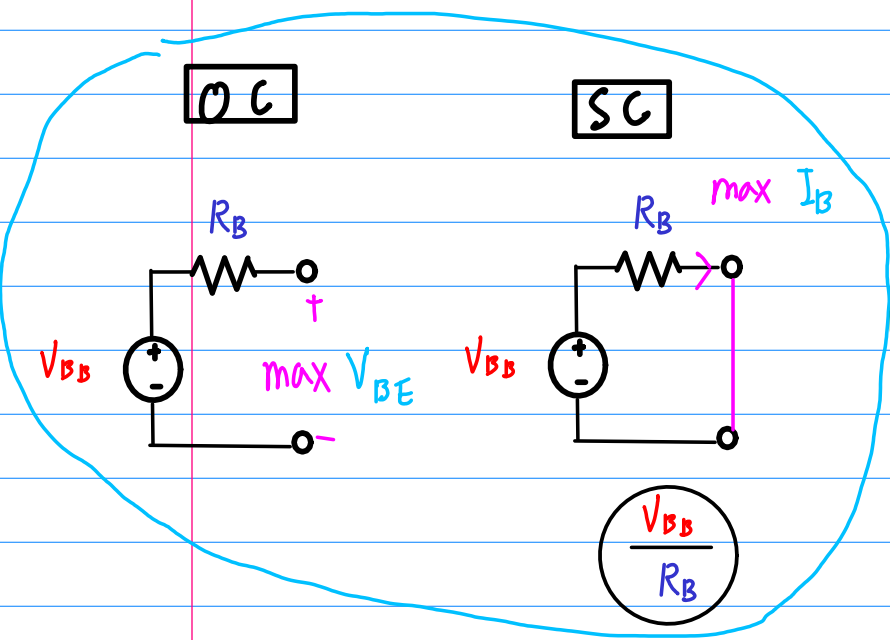
Common emitter

IN - Characteristic

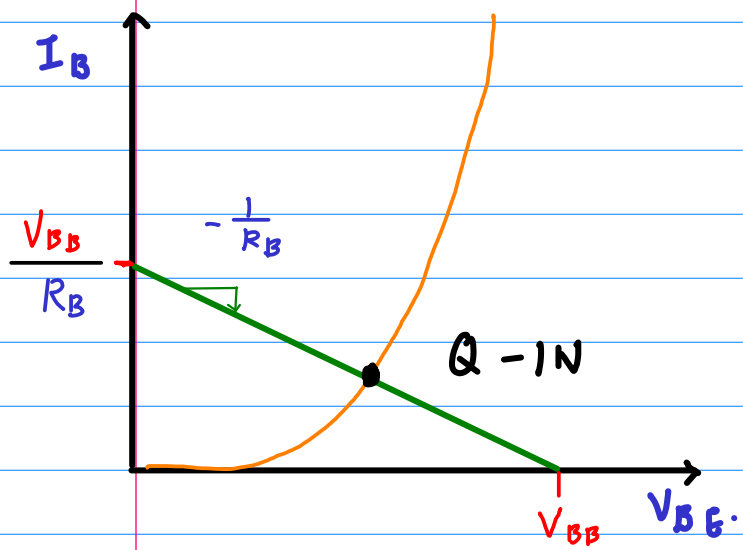


OUT - Characteristic

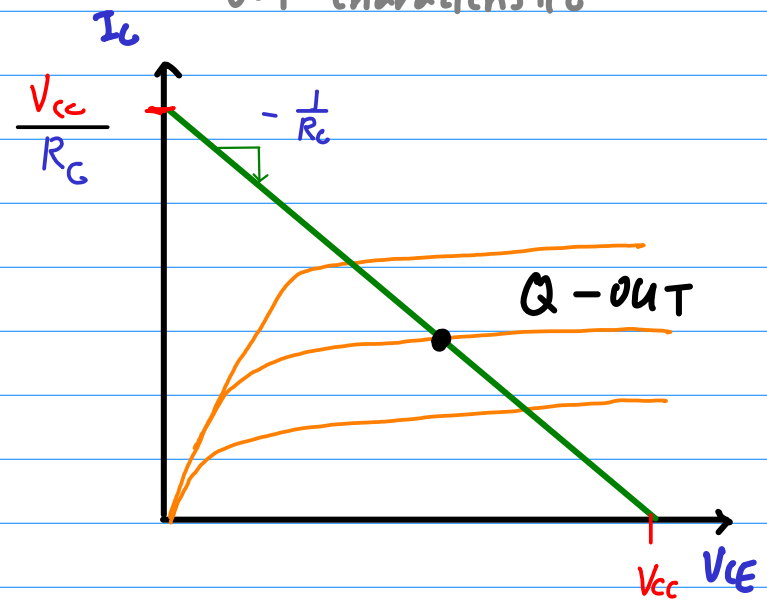


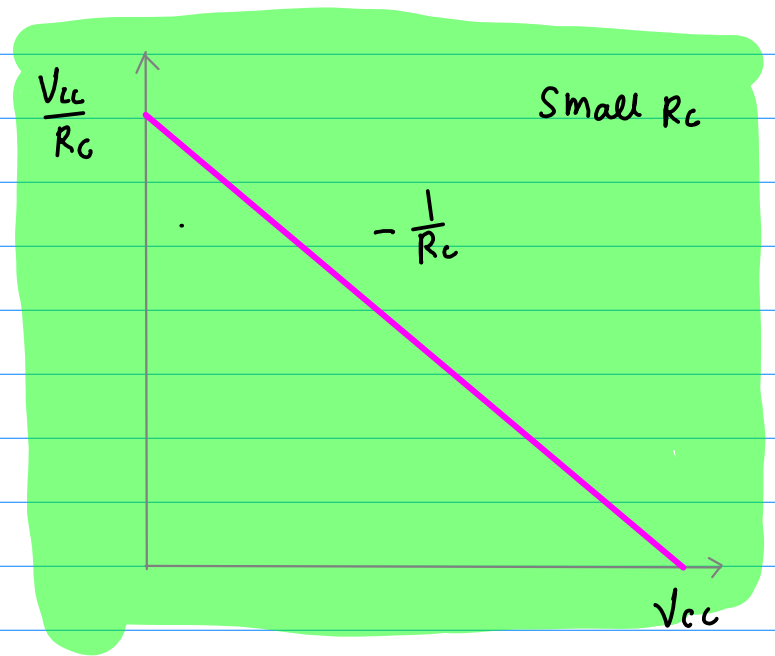
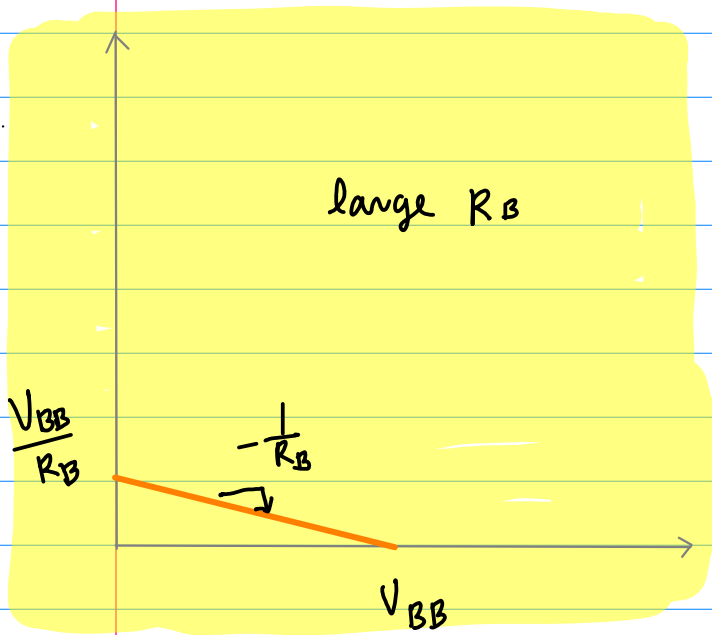
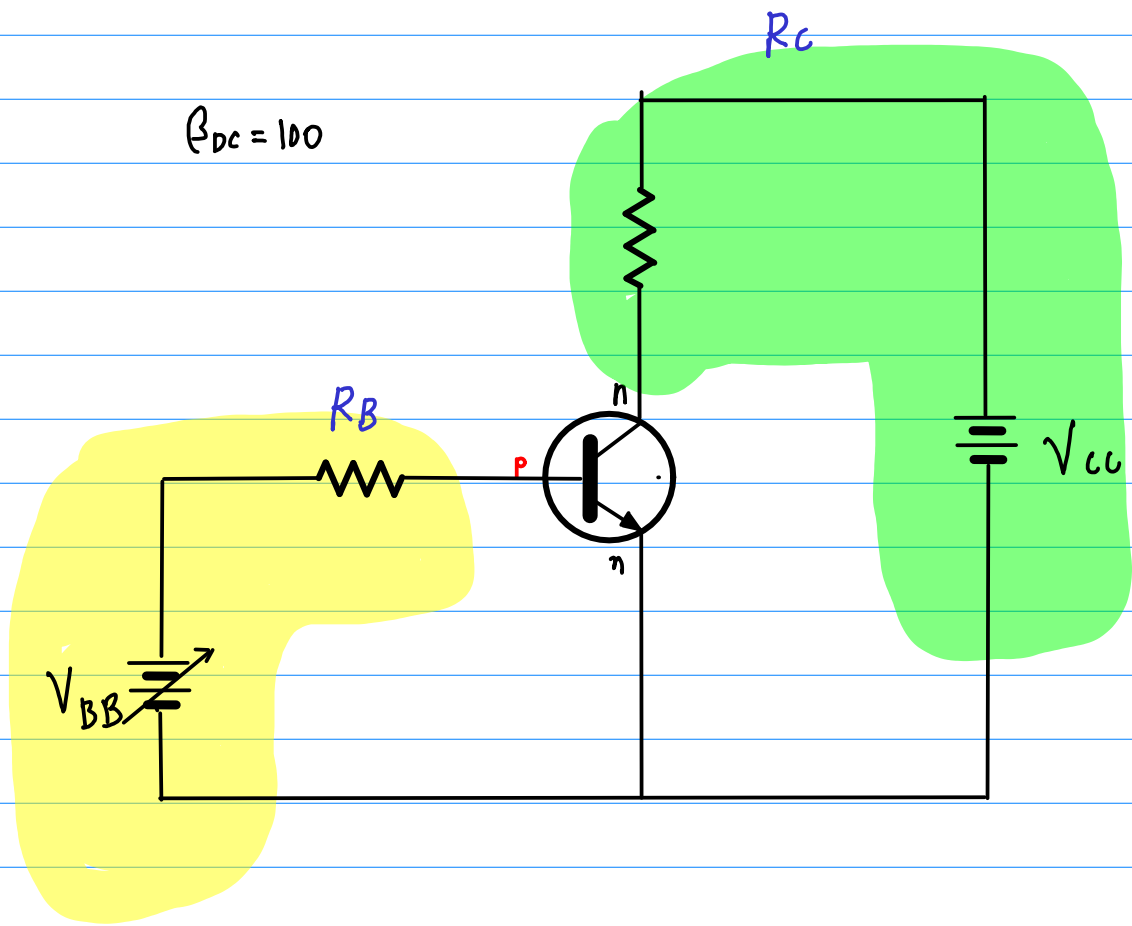


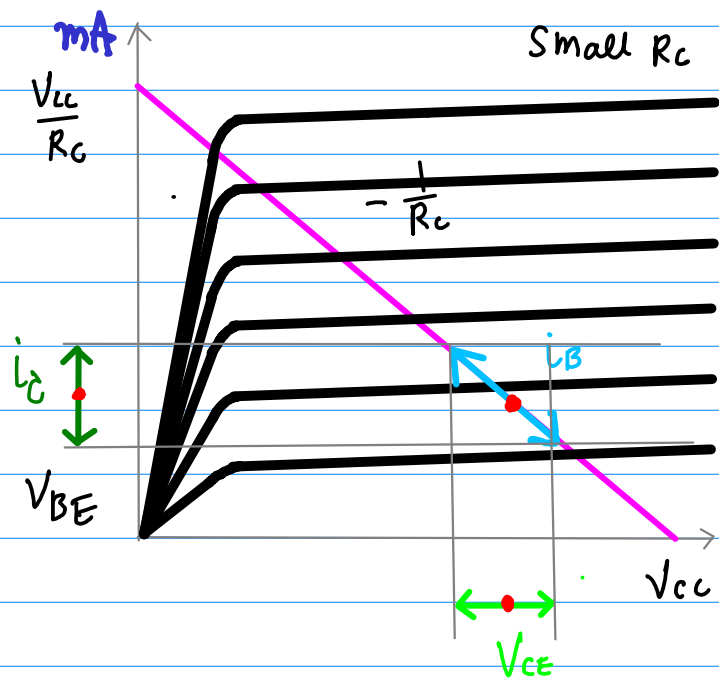
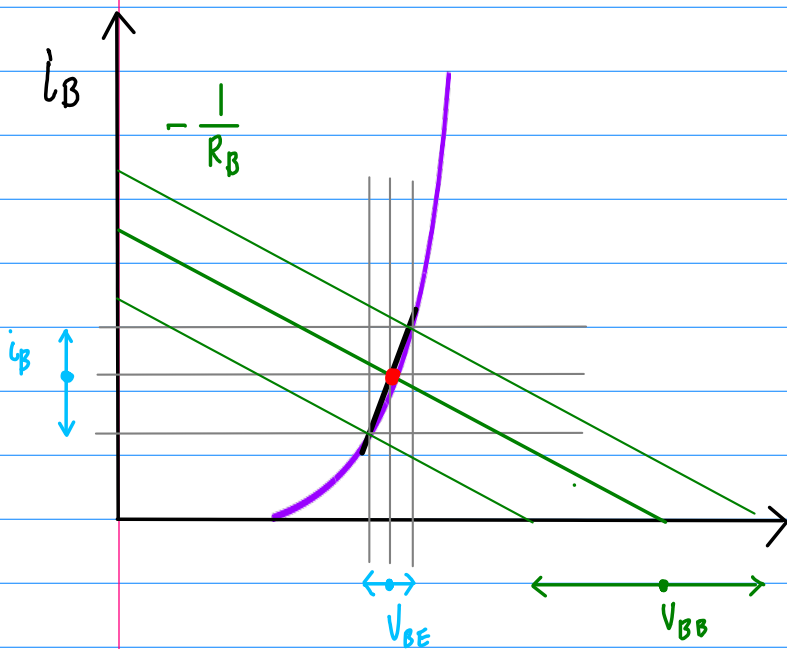
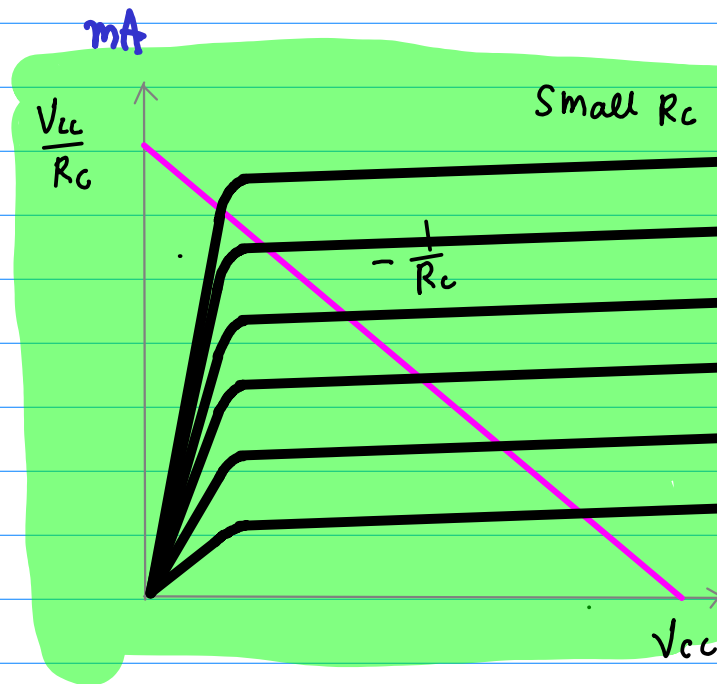
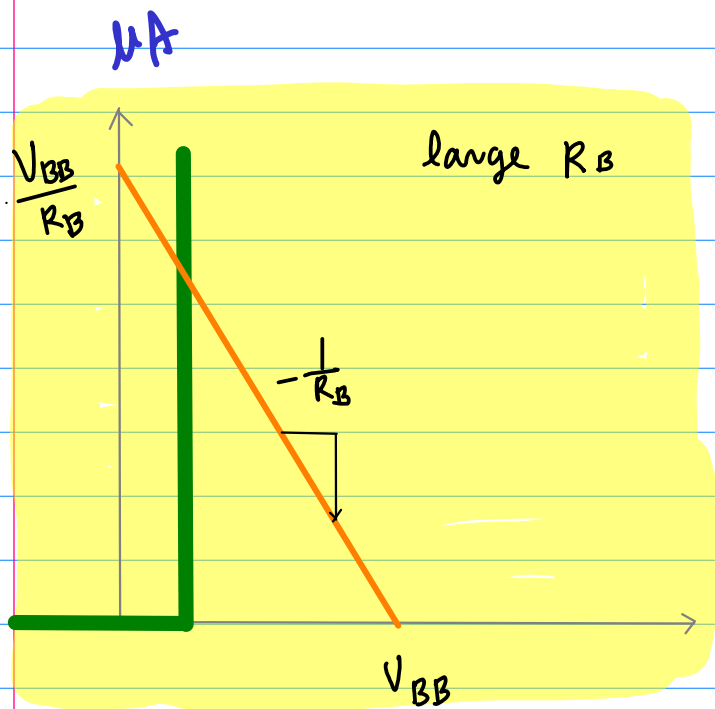
IN - Characteristic

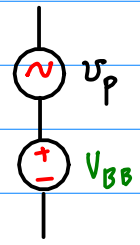
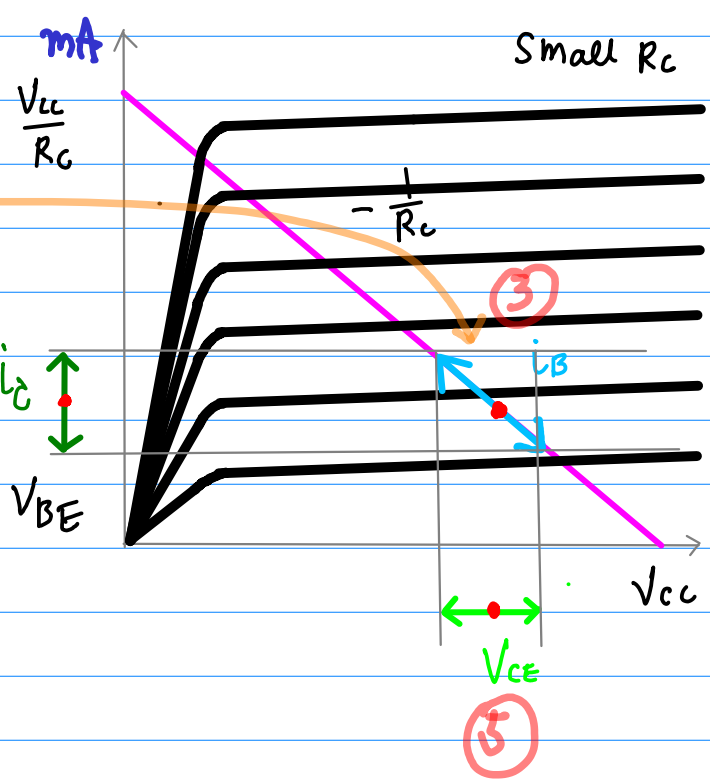
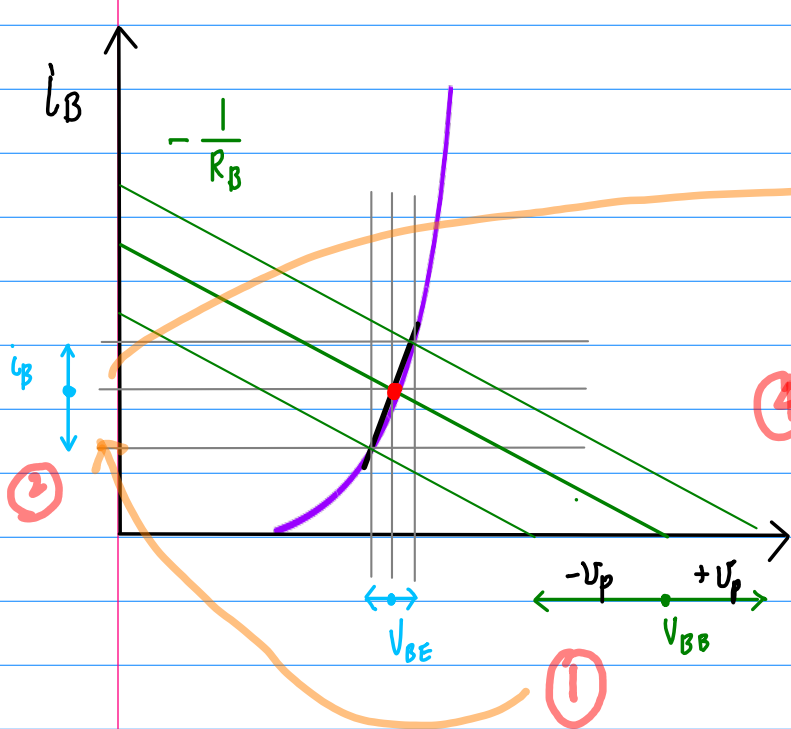


OUT - Characteristic



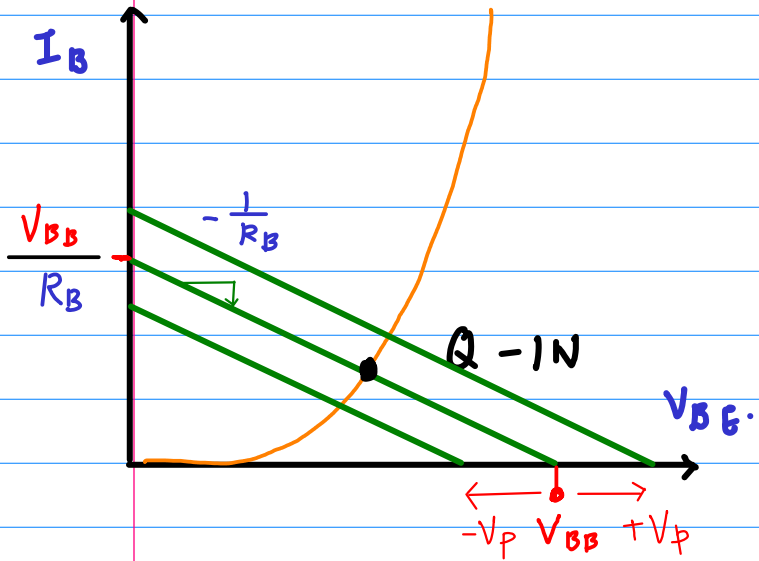




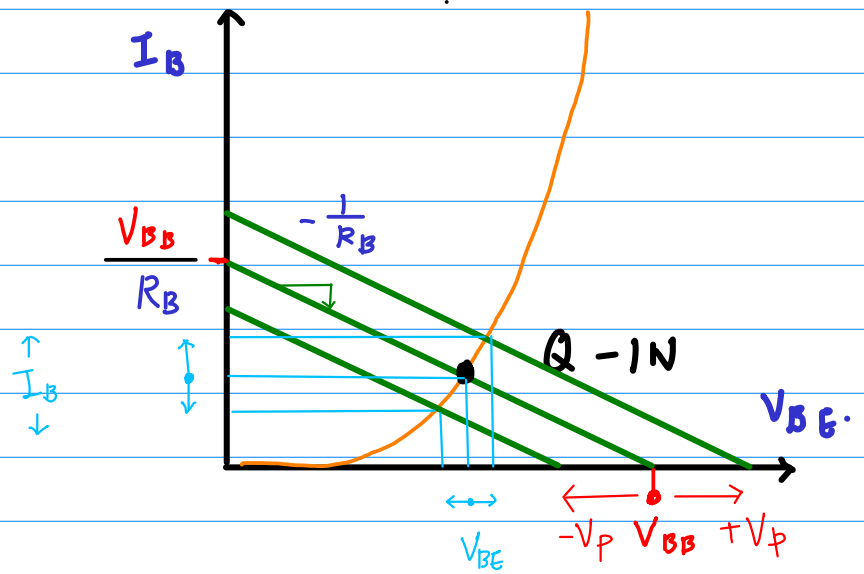
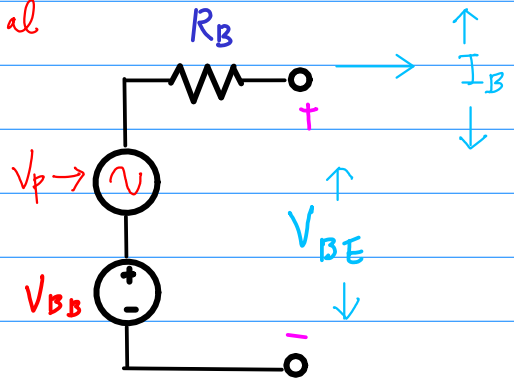


How to change I_B

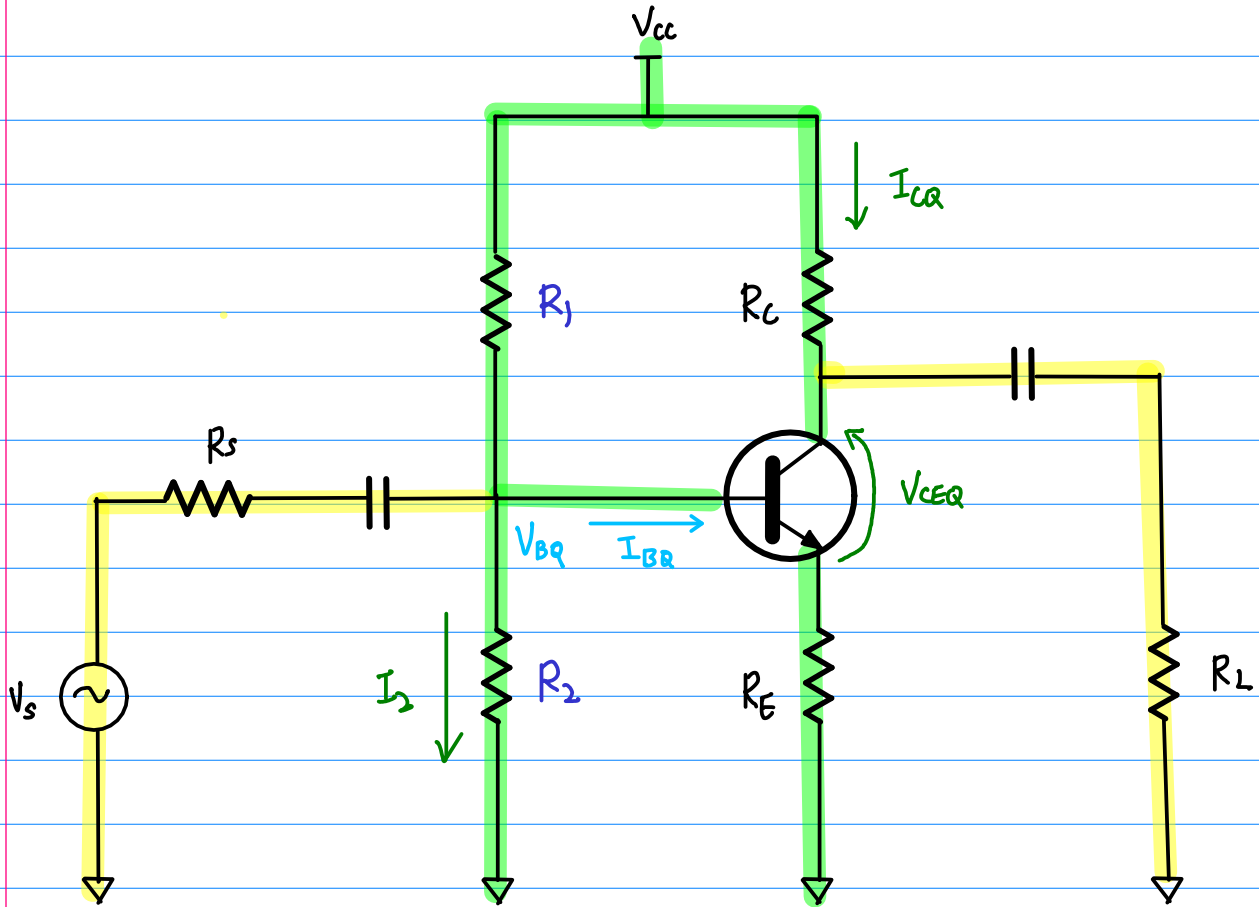
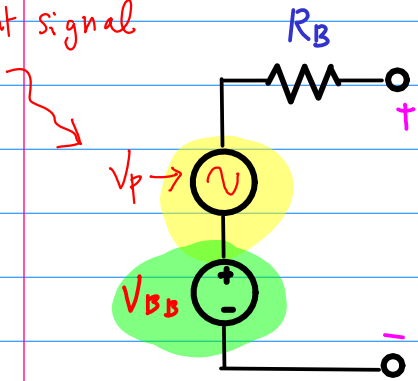
I_N -characteristic



input signal



input signal



DC voltage source \Rightarrow ac short

Superposition

