

BJT Amplifier Differential Amp (H.15)

20170211

Copyright (c) 2016 - 2017 Young W. Lim.

Permission is granted to copy, distribute and/or modify this document under the terms of the GNU Free Documentation License, Version 1.2 or any later version published by the Free Software Foundation; with no Invariant Sections, no Front-Cover Texts, and no Back-Cover Texts. A copy of the license is included in the section entitled "GNU Free Documentation License".

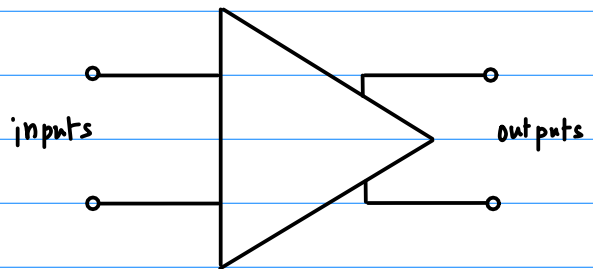
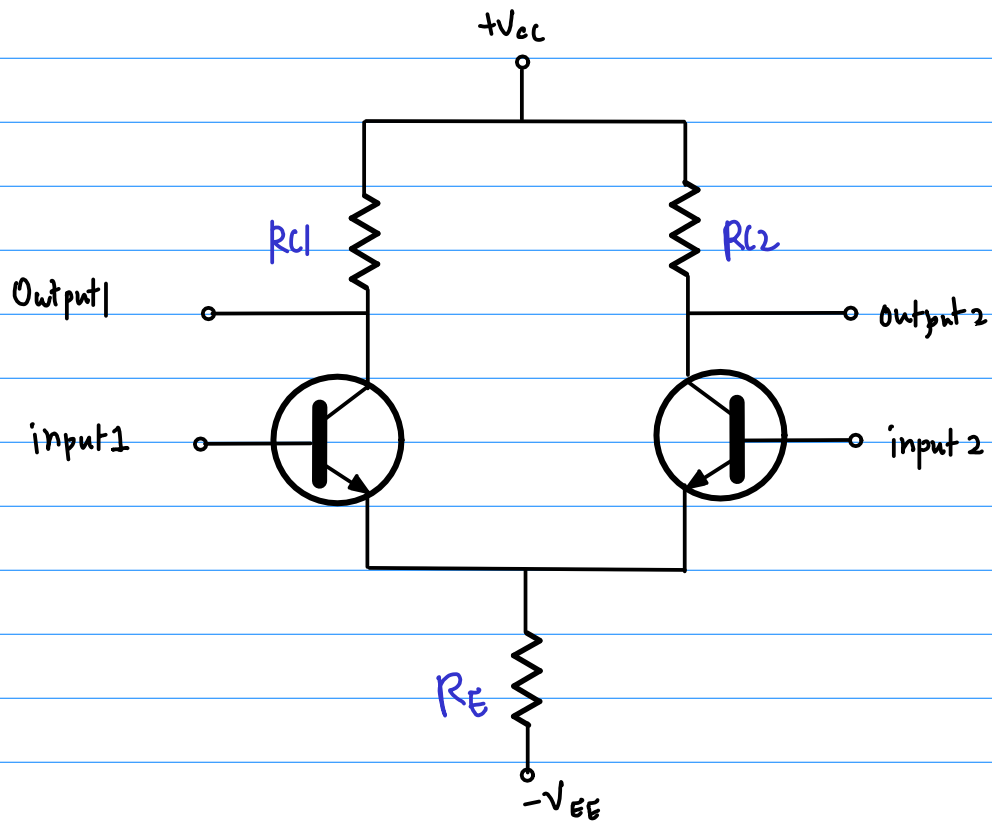
References

Based

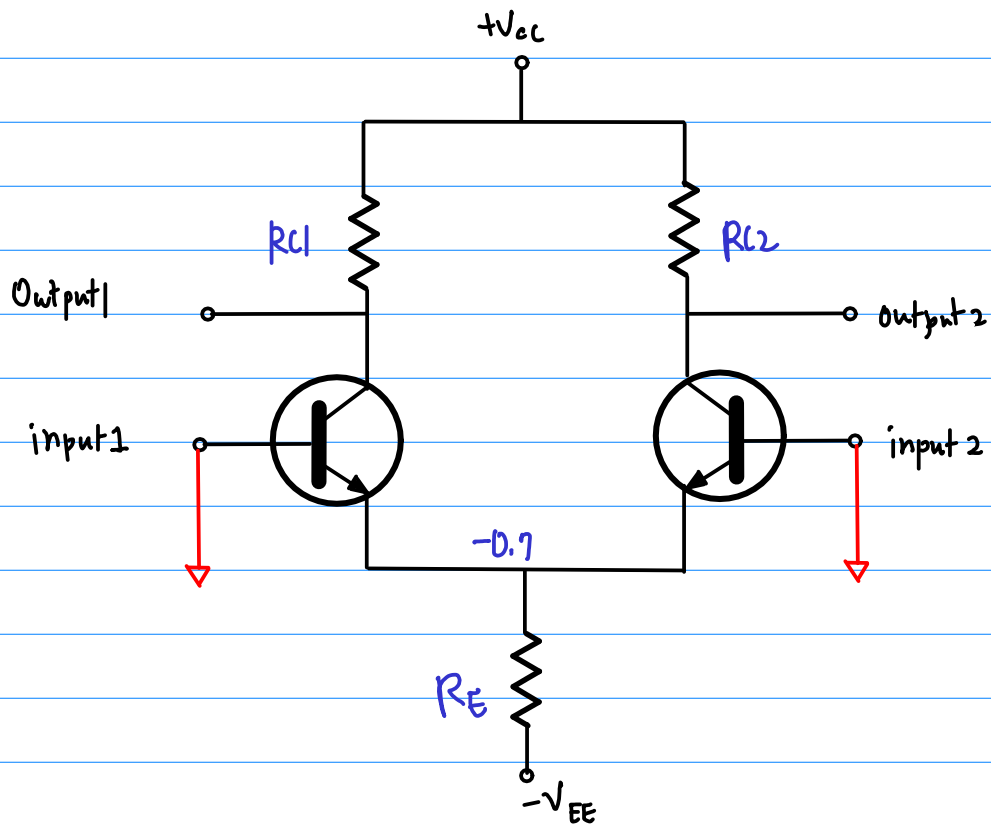
[1] Floyd, Electronic Devices 7th ed

[2] Cook,

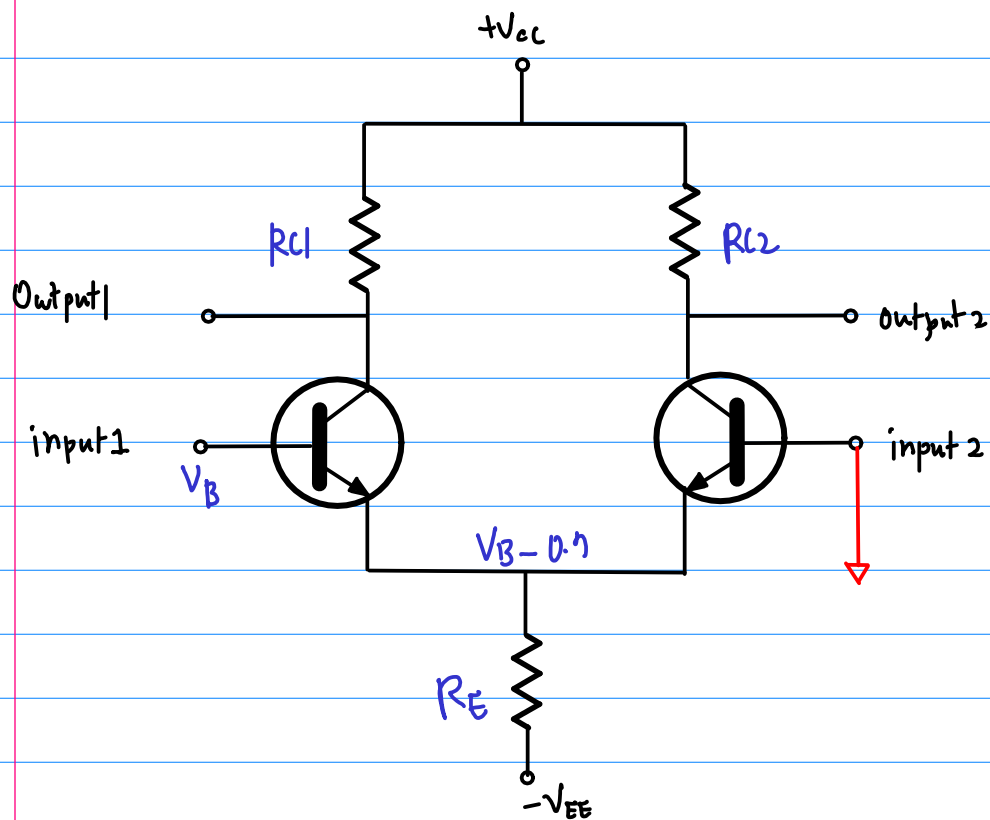
[2] en.wikipedia.org



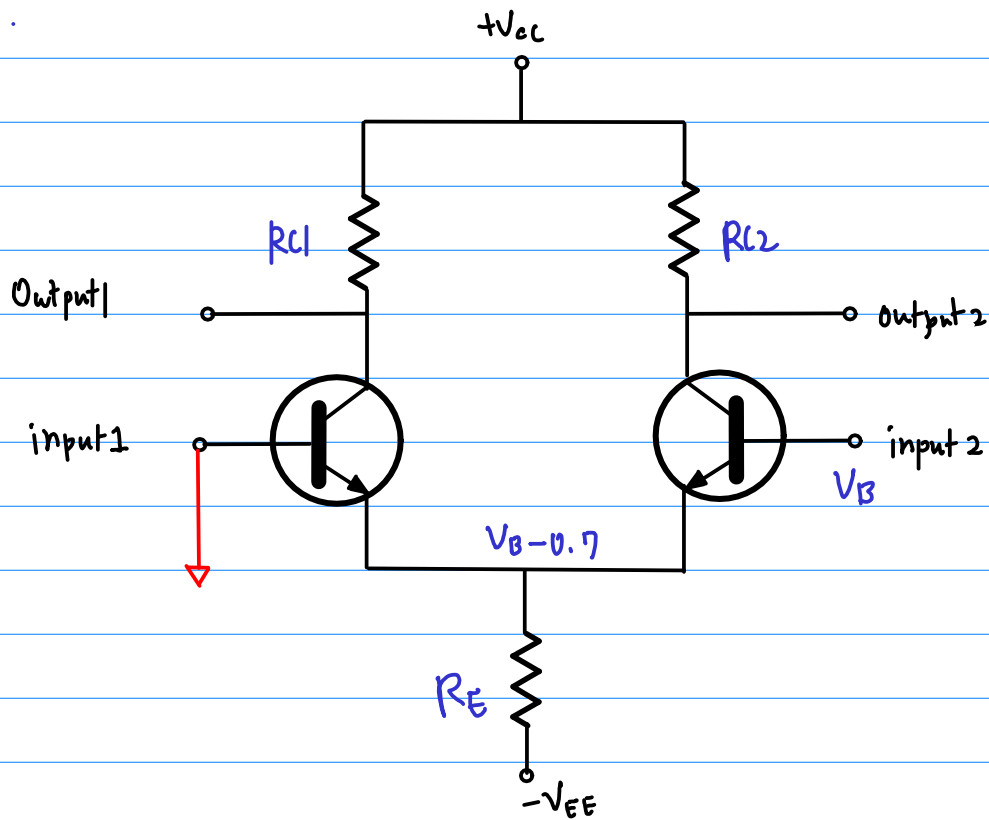
Both inputs are grounded



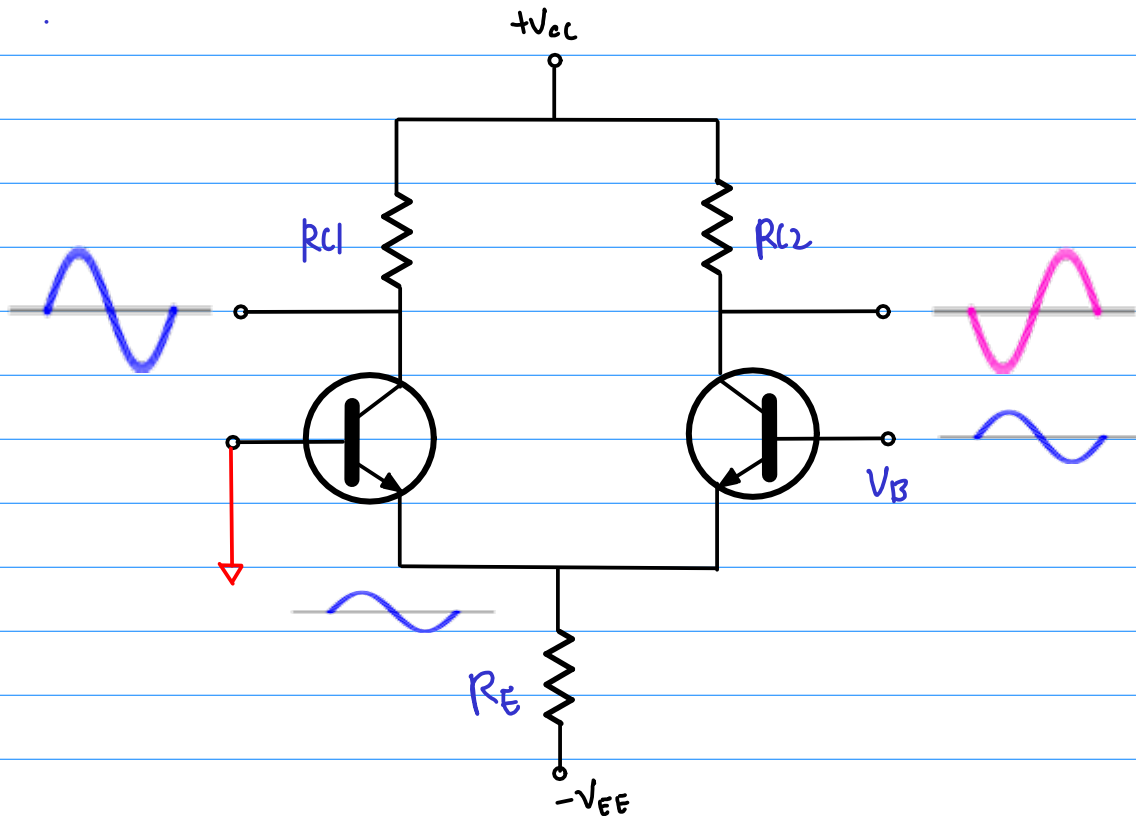
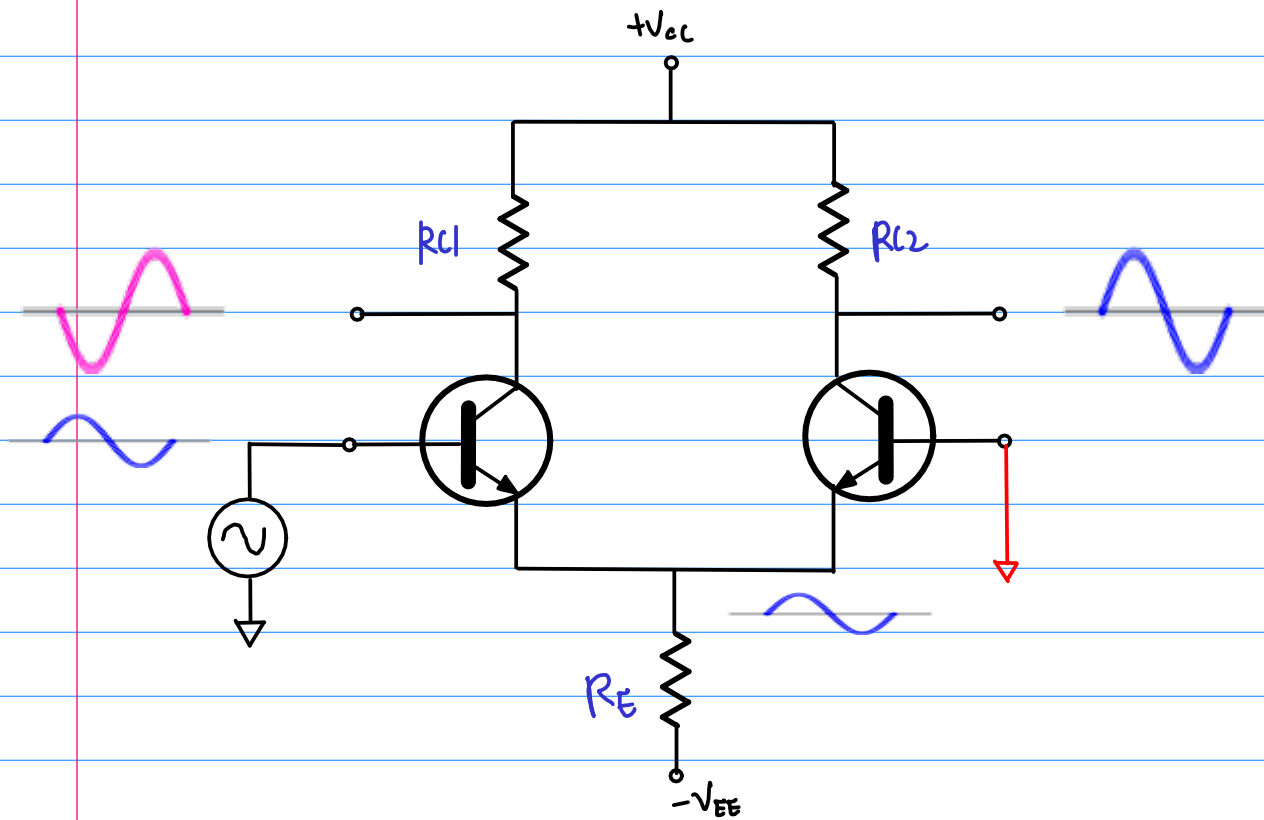
Bias on input 1 and ground on input 2



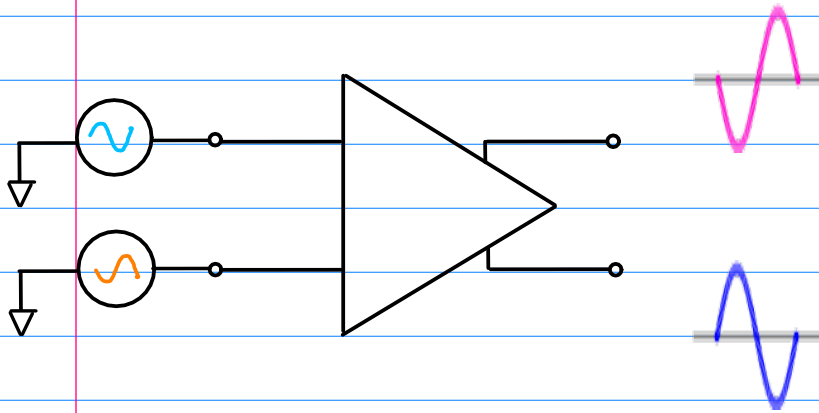
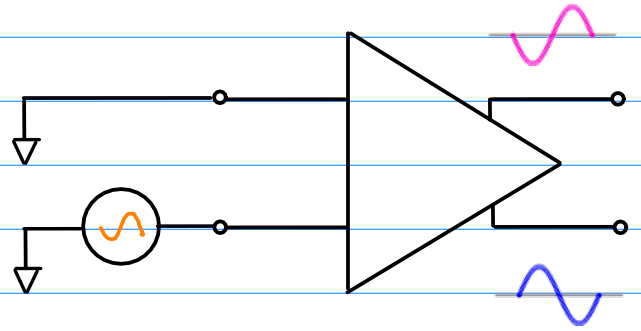
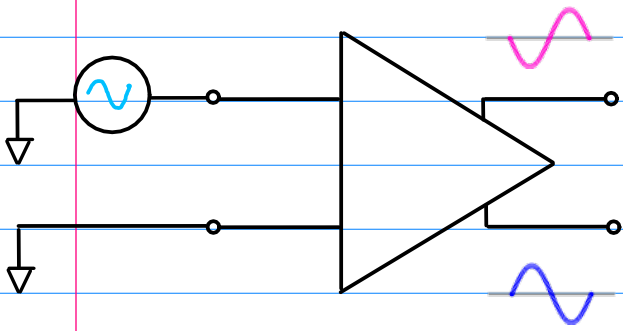
Ground on input 2 and bias on input 1



Single-ended input operation



Differential Operation



Common Mode Operation

