

Control (1A)

Copyright (c) 2010, 2011 Young W. Lim.

Permission is granted to copy, distribute and/or modify this document under the terms of the GNU Free Documentation License, Version 1.2 or any later version published by the Free Software Foundation; with no Invariant Sections, no Front-Cover Texts, and no Back-Cover Texts. A copy of the license is included in the section entitled "GNU Free Documentation License".

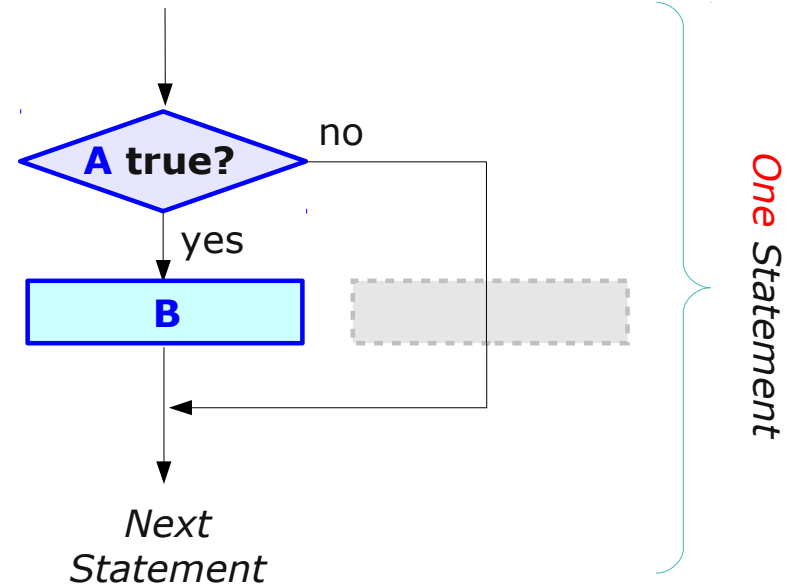
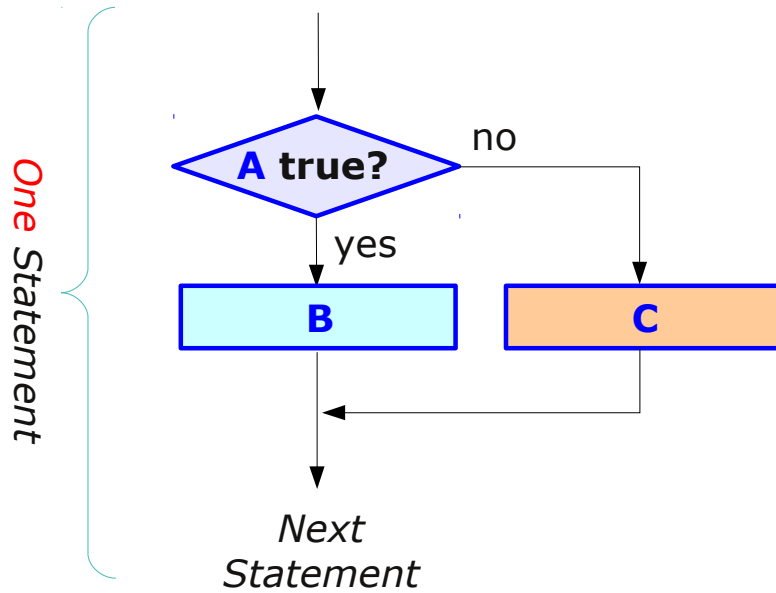
Please send corrections (or suggestions) to youngwlim@hotmail.com.

This document was produced by using OpenOffice.

If Statement

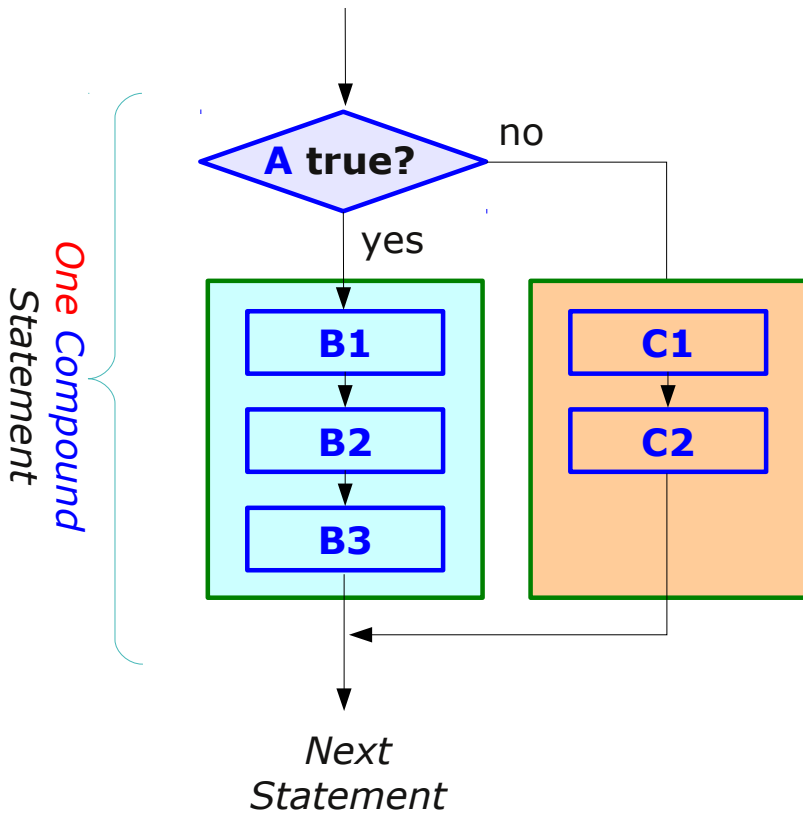
```
if ( A ) B;  
else   C;
```

```
if ( A ) B;
```

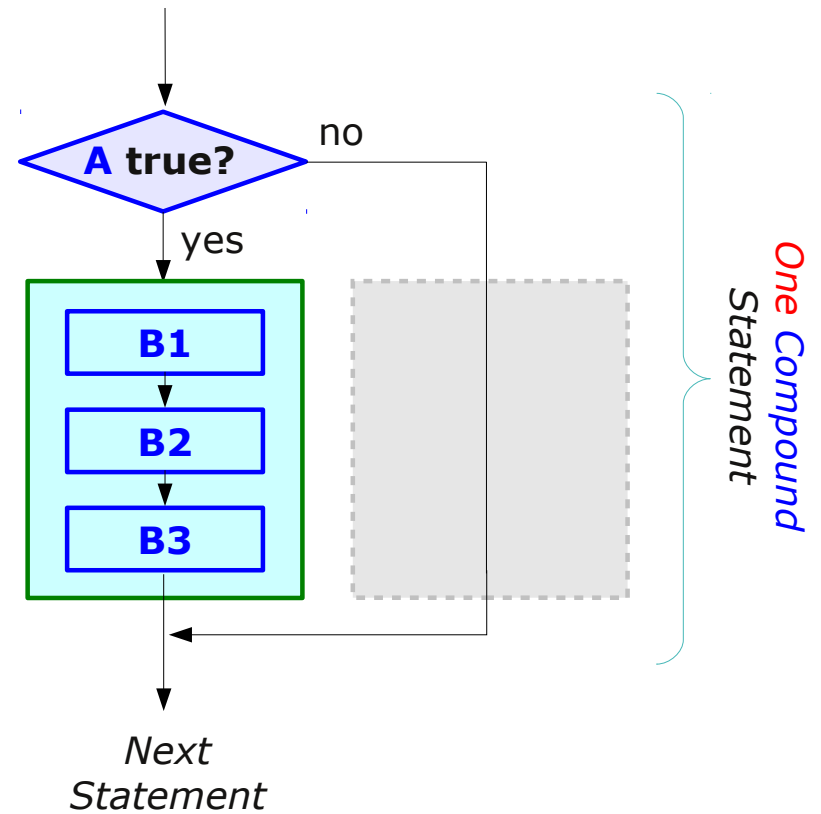


If Compound Statement

```
if ( A ) { B1; B2; B3; }  
else     { C1; C2; }
```

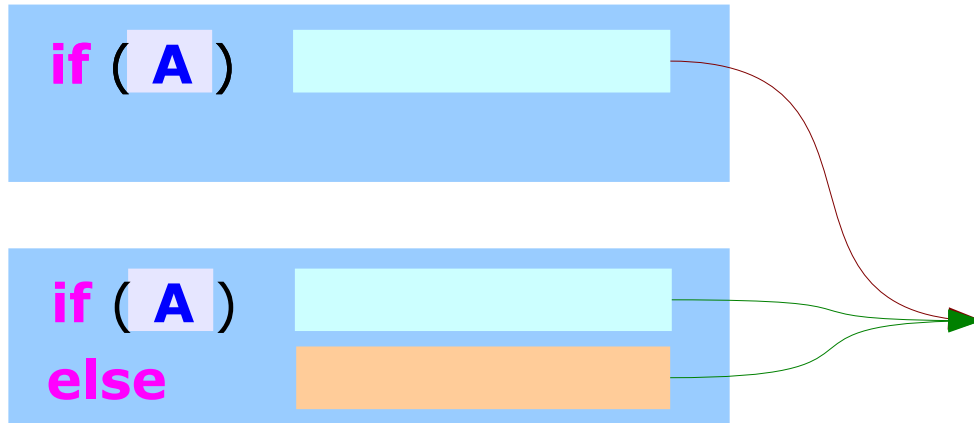


```
if ( A ) { B1; B2; B3; }
```



Cases of **if-else** Statements (1)

Each of these if statements are treated as a single statement.



If clause and else clause can be

1) a single statement

```
St1;
```

2) a compound statement

```
{ St1; St2; St3; }
```

3) a nested if statement

```
if ( B )
```

4) a nested if-else statement

```
if ( B )
```

```
else
```

Cases of **if-else** Statements (2)

if clause

single *if* clause

```
if ( A ) B1;
```

compound *if* clause

```
if ( A ) { B1; B2 }
```

if-else clause

single *if* – single *else* clause

```
if ( A ) B1;  
else C1;
```

single *if* – compound *else* clause

```
if ( A ) B1;  
else { C1; C2; }
```

compound *if* – single *else* clause

```
if ( A ) { B1; B2 }  
else C1;
```

compound *if* – compound *else* clause

```
if ( A ) { B1; B2 }  
else { C1; C2; }
```

Pairing **if** and **else**

*An **else** clause is matched with the **closest if** clause*

✗

if (A)	
if (B)	S1;
else	S2;
else	S3;



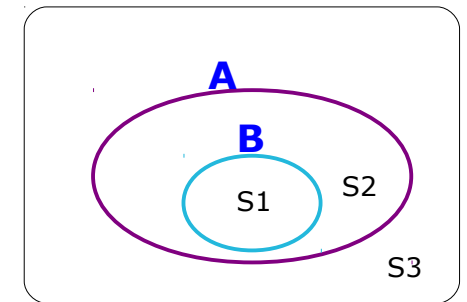
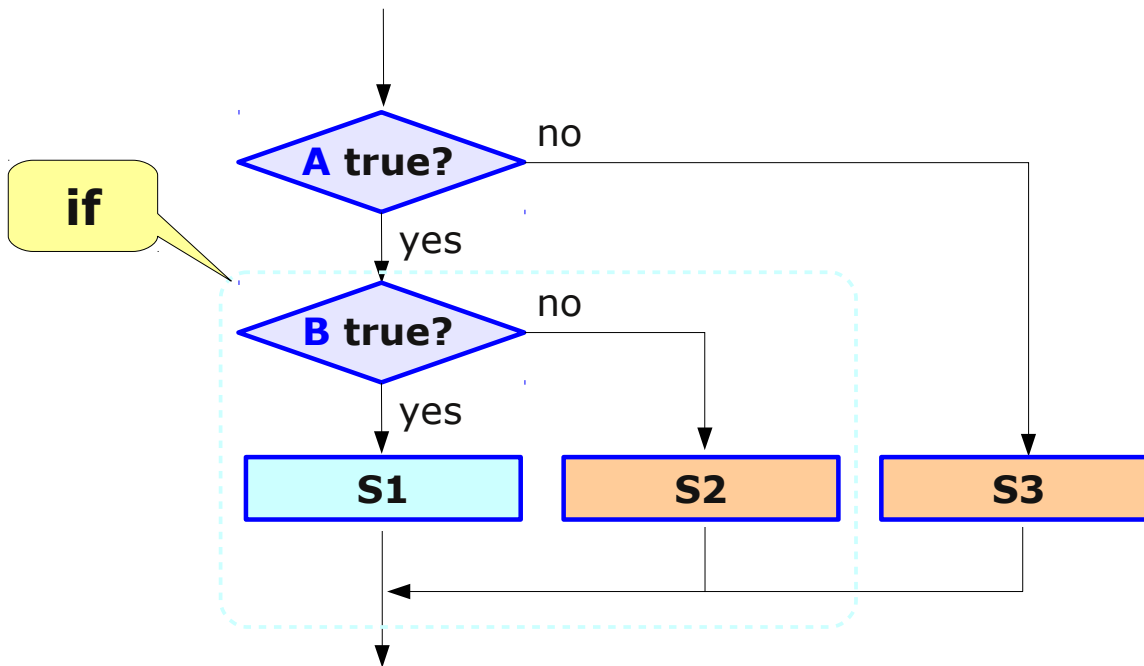
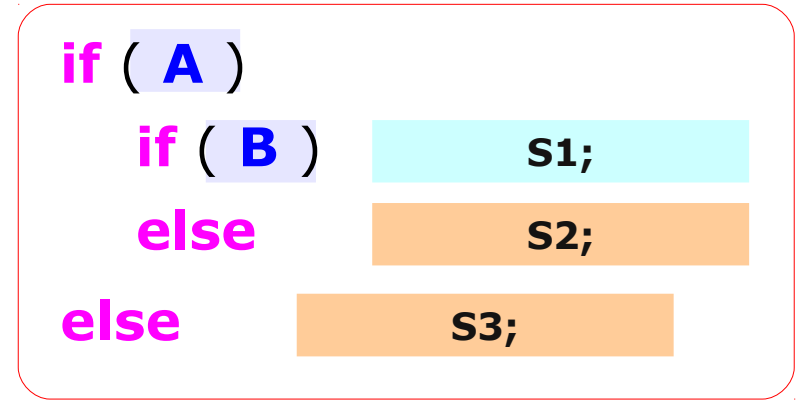
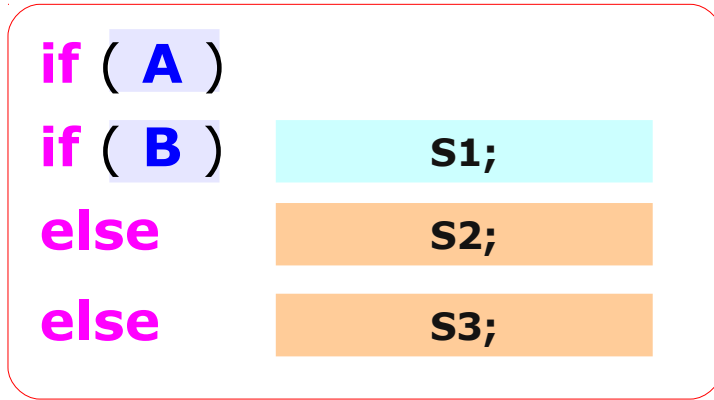
if (A)	
if (B)	S1;
else	S2;
else	S3;

if (A)	S1;
else	
if (B)	S2;
else	S3;



if (A)	S1;
else	
if (B)	S2;
else	S3;

Nested If Statement (1)

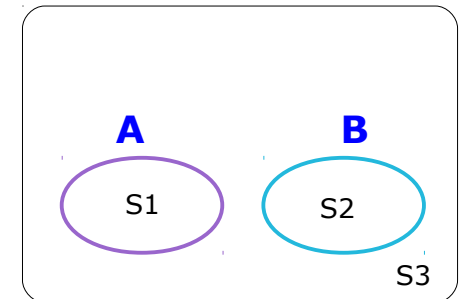
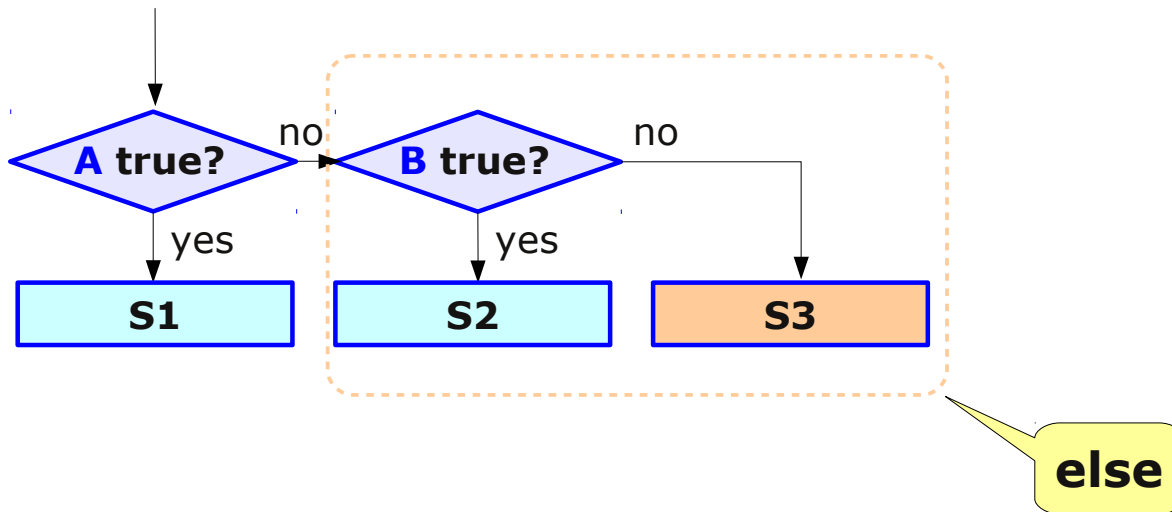


Nested If Statement (2)

```
if ( A ) S1;  
else  
if ( B ) S2;  
else S3;
```

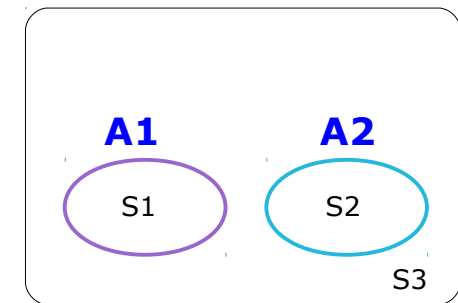
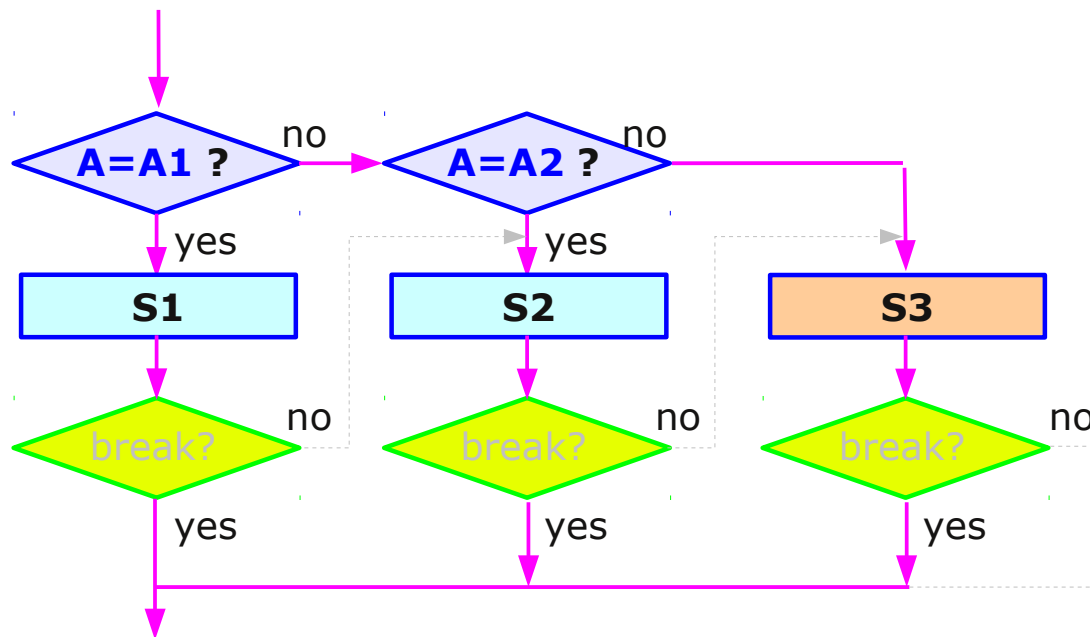


```
if ( A ) S1;  
else if ( B ) S2;  
else S3;
```



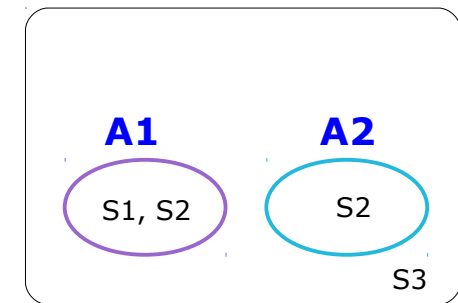
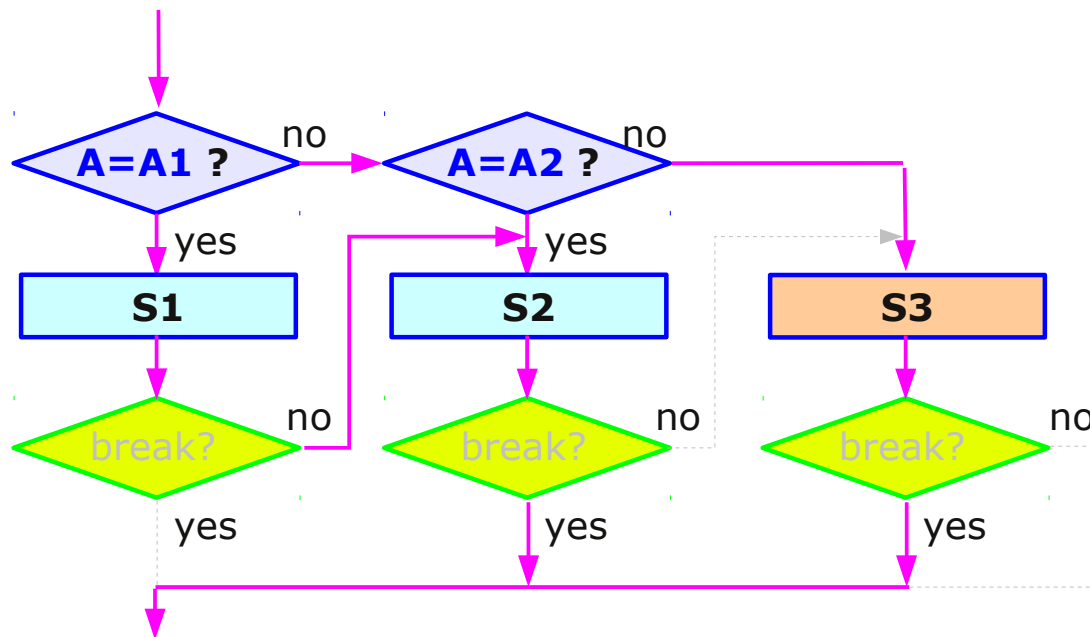
Switch Statement (1)

```
switch ( A ) {  
case A1: S1;  
         break;  
case A2: S2;  
         break;  
default : S3;  
         break;  
}
```



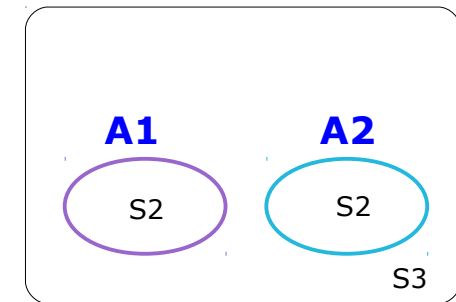
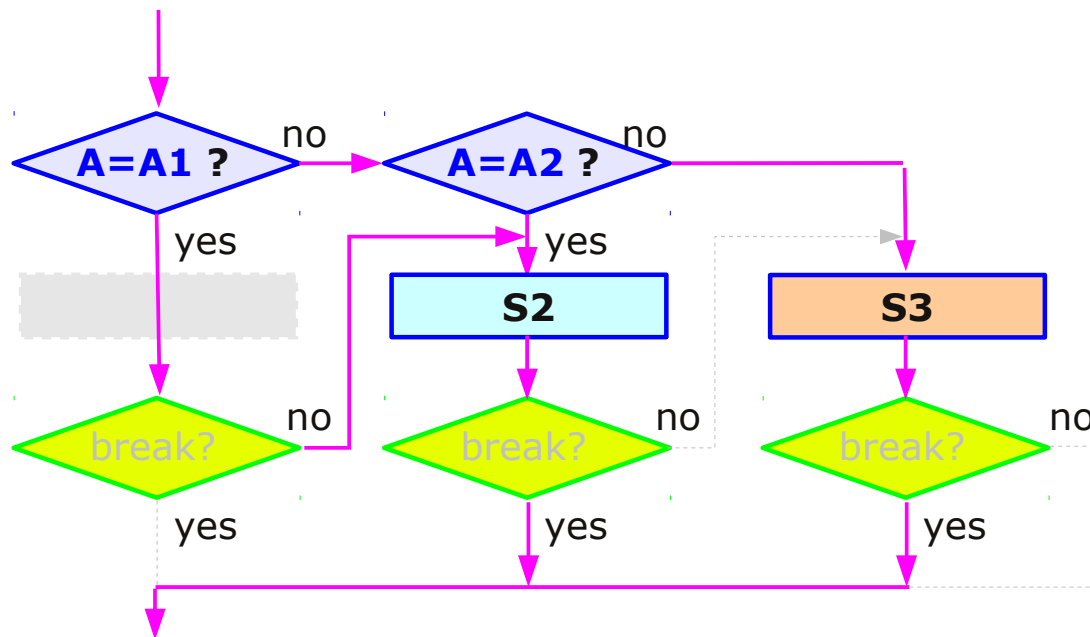
Switch Statement (2)

```
switch ( A ) {  
case A1: S1;  
case A2: S2;  
         break;  
default : S3;  
         break;  
}
```



Switch Statement (3)

```
switch ( A ) {  
  case A1:  
  case A2: S2;  
           break;  
  default : S3;  
           break;  
}
```



2-d Array

References

- [1] Essential C, Nick Parlante
- [2] Efficient C Programming, Mark A. Weiss
- [3] C A Reference Manual, Samuel P. Harbison & Guy L. Steele Jr.
- [4] C Language Express, I. K. Chun