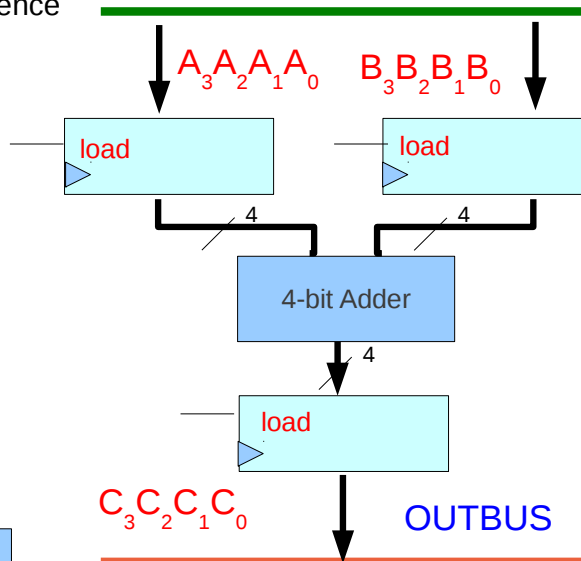
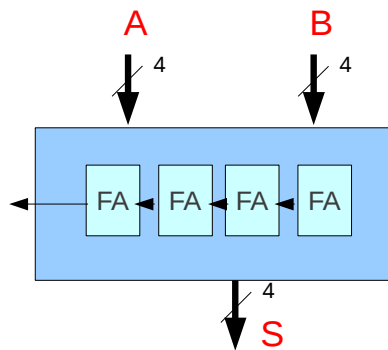


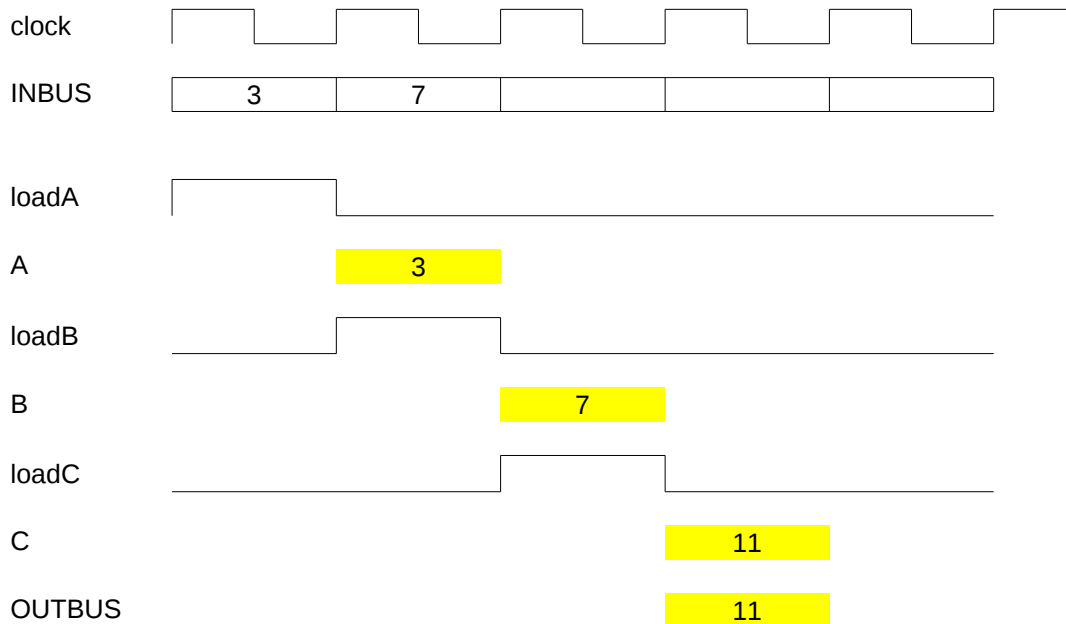
Previous HW Example

(c) Explain the hardware design to perform the following sequence of additions

A = 3;
 B = 7;
 C = A + B;
 A = 2;
 B = 5;
 C = A + B;
 A = 3;
 B = 3;
 C = A + B;



(d) Draw an example of waveforms using this hardware design



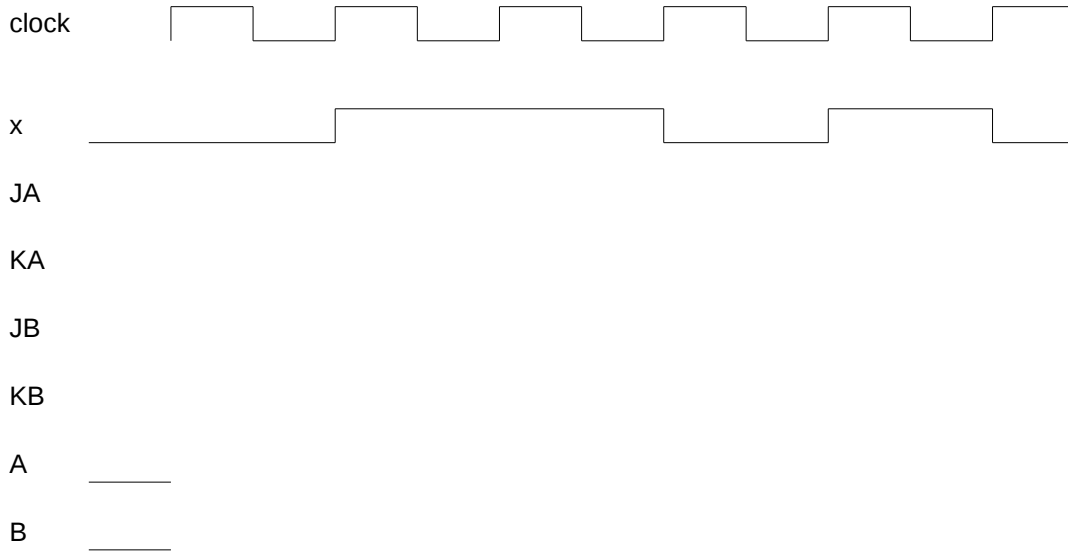
Sheet1

This week's HW

#1 Draw waveforms for the Fig 5.19, Table 5.4, and Fig 5.18.

When input x changes as follows.

0 → 1 → 1 → 0 → 1 → 0 → 1 → 1 → 0



Make sure that the state transition is the same as in the state diagram in Fig 5.19. Verify this by identifying the state using JK FF's outputs A and B.