

# BJT Topologies – Basic Bias

---

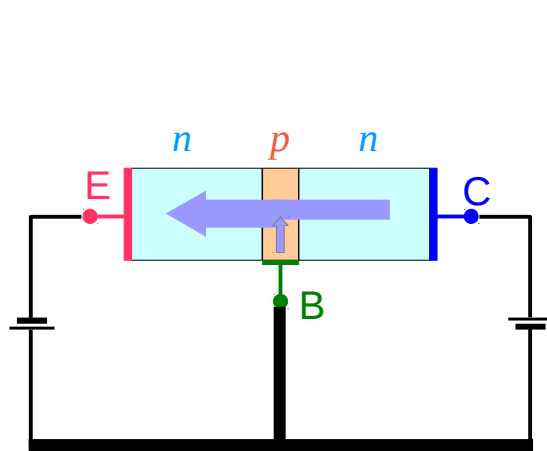
Copyright (c) 2012 - 2017 Young W. Lim.

Permission is granted to copy, distribute and/or modify this document under the terms of the GNU Free Documentation License, Version 1.2 or any later version published by the Free Software Foundation; with no Invariant Sections, no Front-Cover Texts, and no Back-Cover Texts. A copy of the license is included in the section entitled "GNU Free Documentation License".

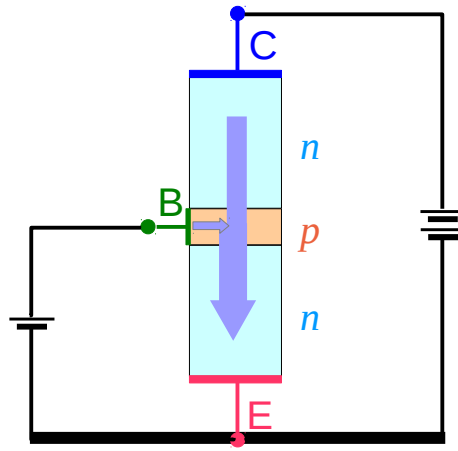
Please send corrections (or suggestions) to [youngwlim@hotmail.com](mailto:youngwlim@hotmail.com).

This document was produced by using OpenOffice and Octave.

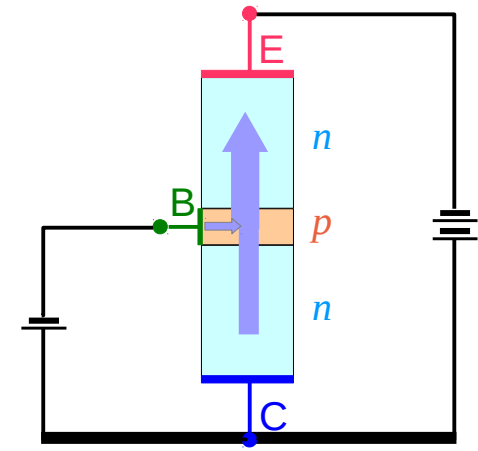
# BJT Amplifier Topologies



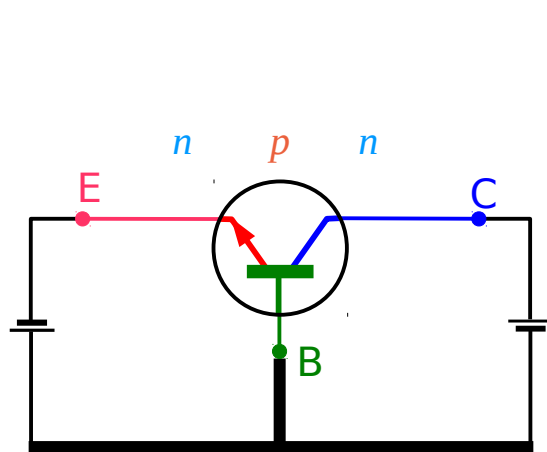
Common Base



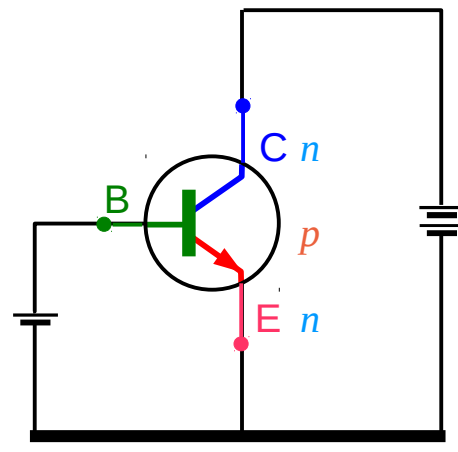
Common Emitter



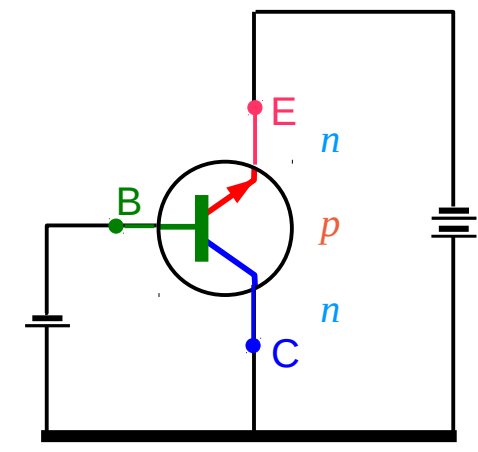
Common Collector



Common Base

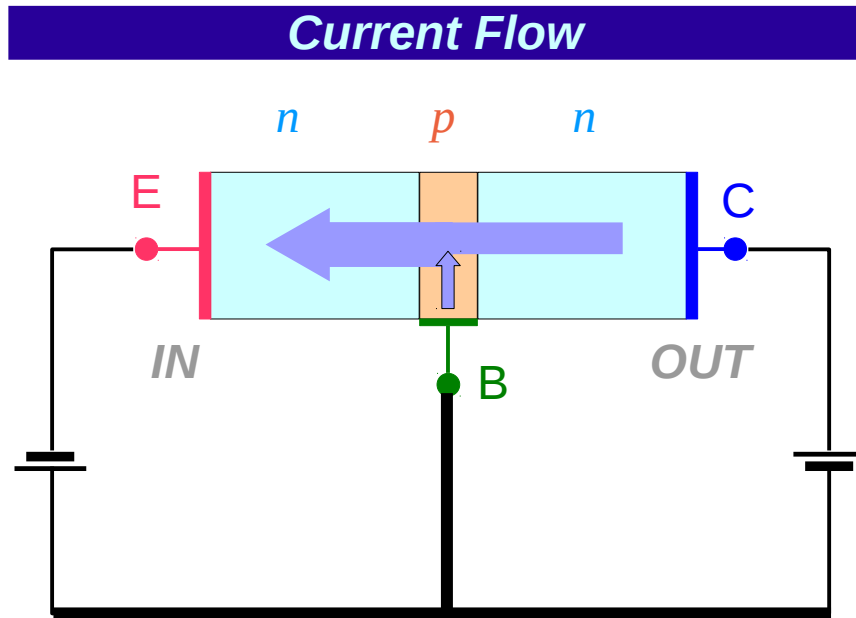


Common Emitter

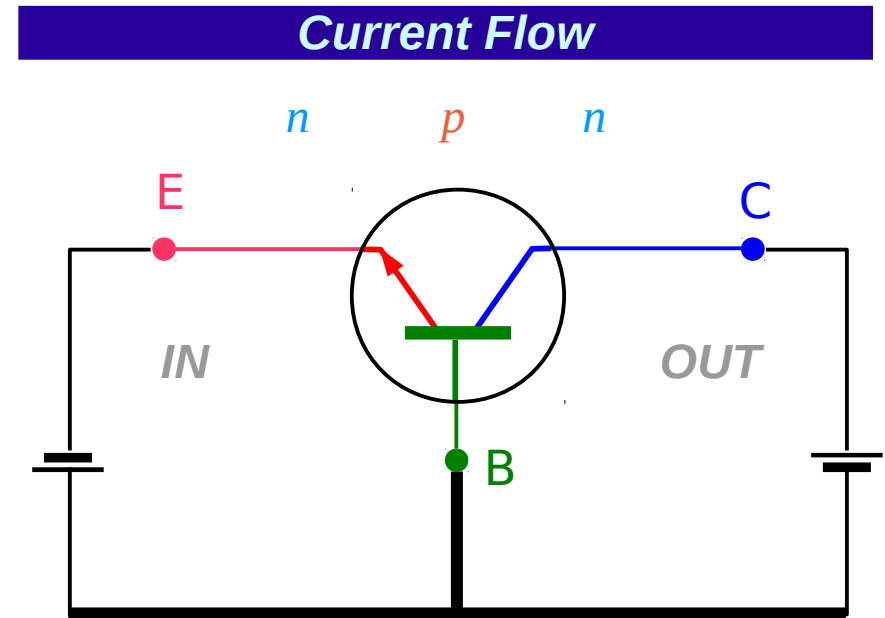


Common Collector

# Common Base Topology



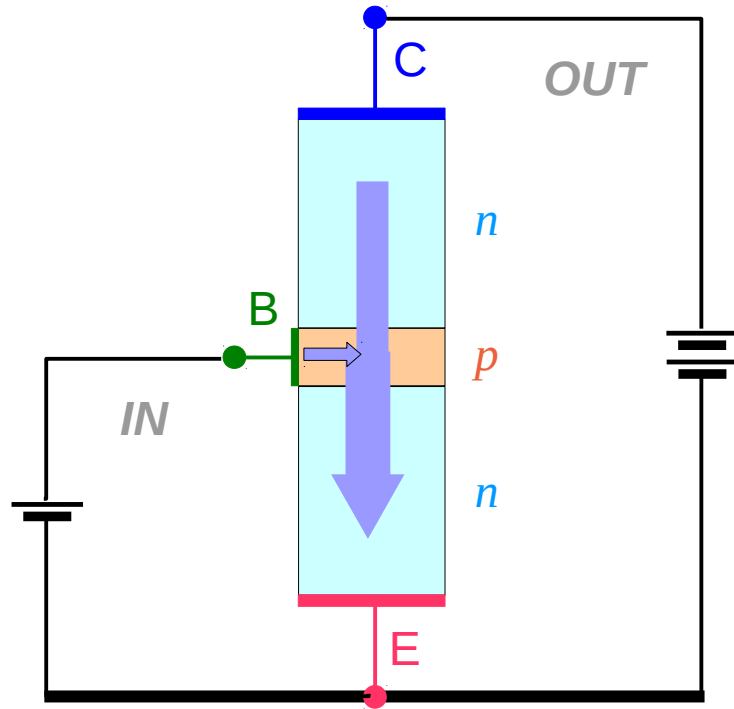
**Common Base**



**Common Base**

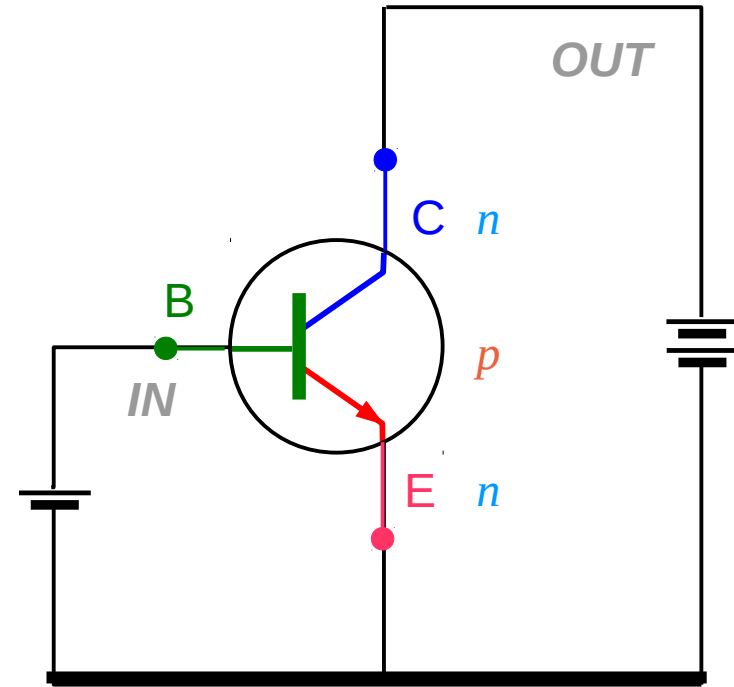
# Common Emitter Topology

*Current Flow*



*Common Emitter*

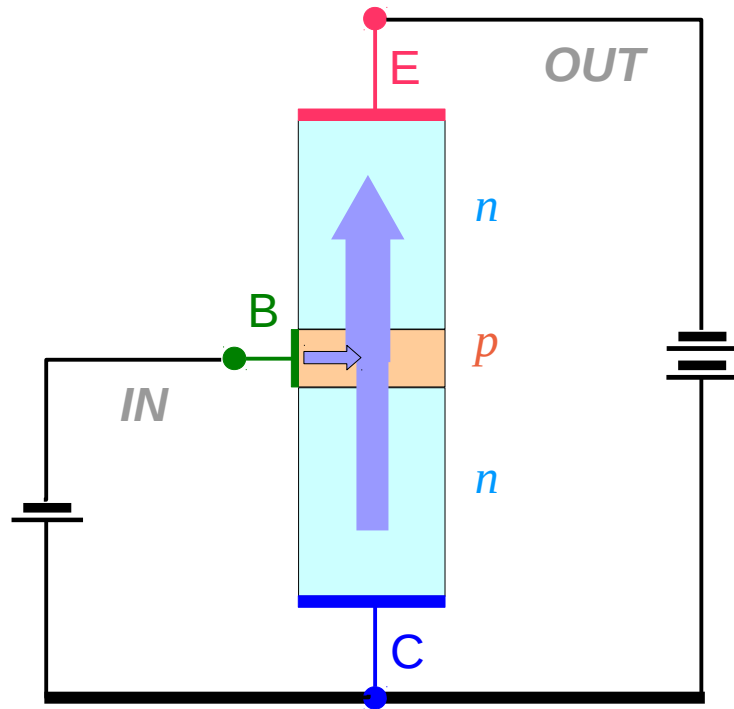
*Current Flow*



*Common Emitter*

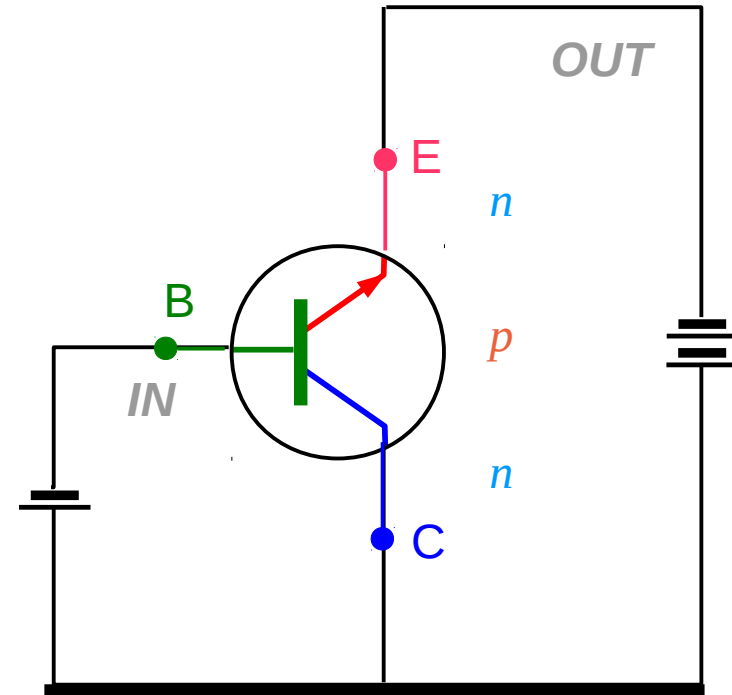
# Common Collector Topology

*Current Flow*



*Common Collector*

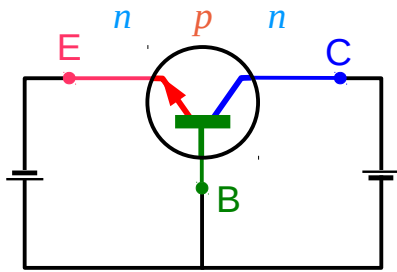
*Current Flow*



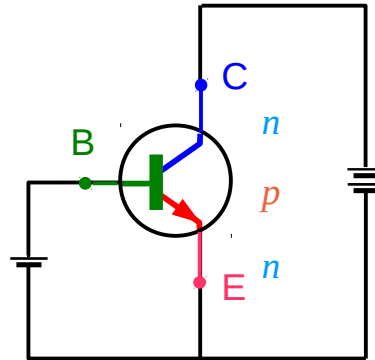
*Common Collector*

# Forward bias (BE) & Reverse bias (CB)

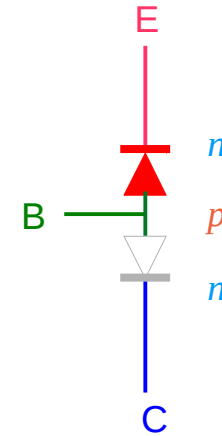
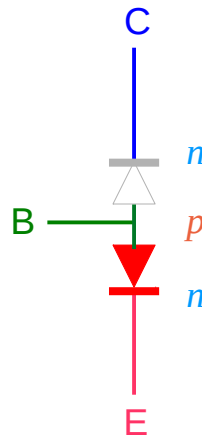
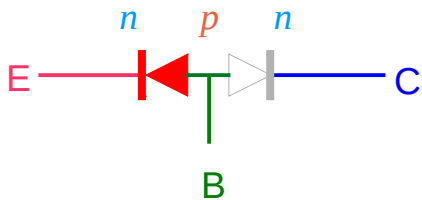
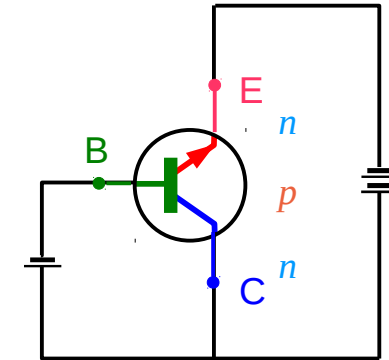
Common Base



Common Emitter



Common Collector



$V_{BE}$  forward bias  
 $V_{CB}$  reverse bias

==

$V_{BE}$  forward bias  
 $V_{CB}$  reverse bias

==

$V_{BE}$  forward bias  
 $V_{CB}$  reverse bias

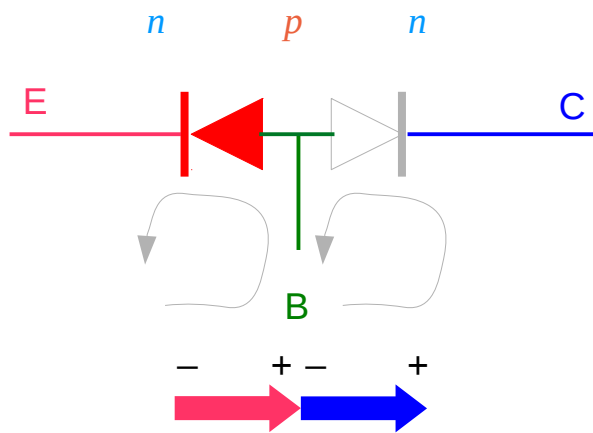
---

# Bias for Active Region



# Biassing Back-to-back Diodes – Active Region

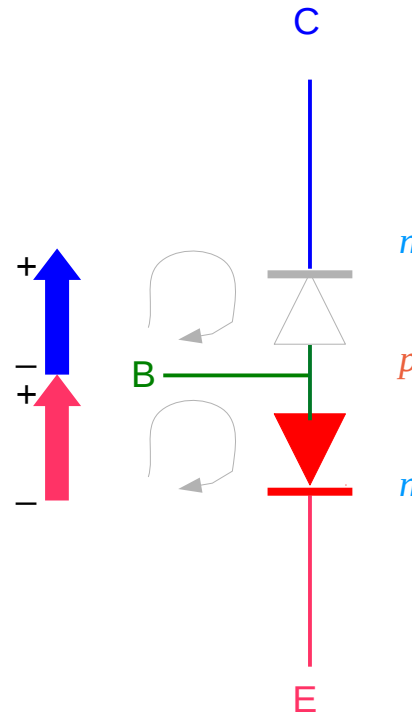
## Common Base



$V_{BE}$  forward bias  
 $V_{CB}$  reverse bias

**active**

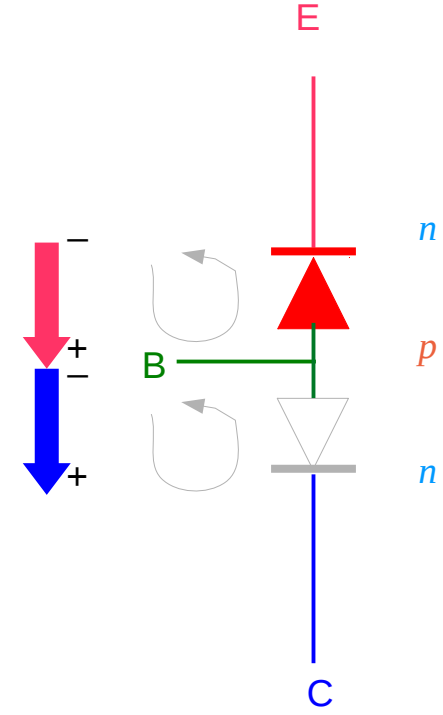
## Common Emitter



$V_{BE}$  forward bias  
 $V_{CB}$  reverse bias

**active**

## Common Collector

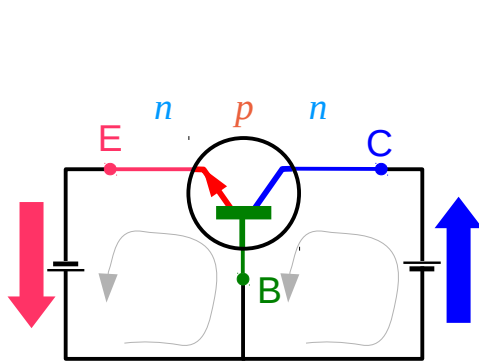


$V_{BE}$  forward bias  
 $V_{CB}$  reverse bias

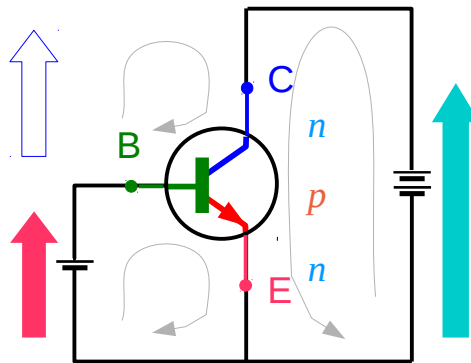
**active**

# Two voltage supplies - Active Region

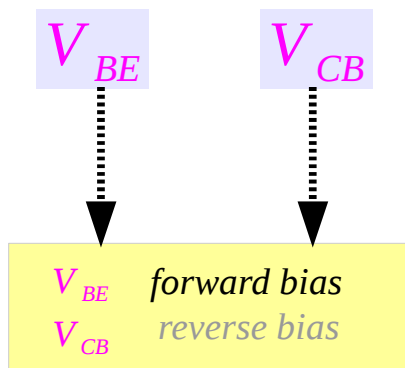
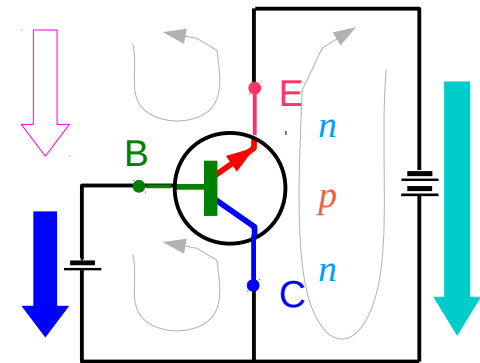
Common Base



Common Emitter

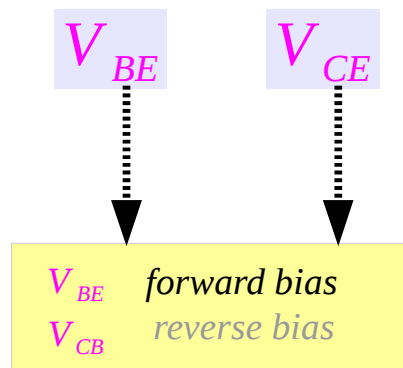


Common Collector



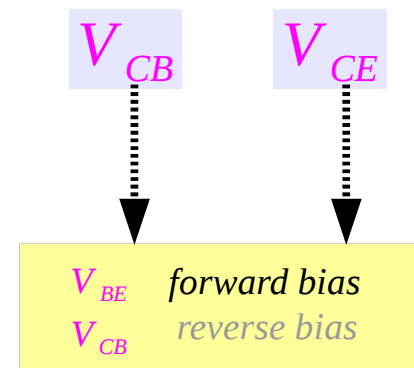
active

=



active

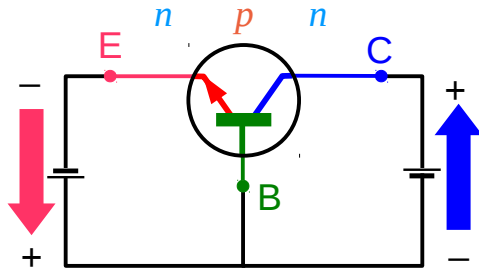
=



active

# Two voltage supplies controls $V_{BE}$ & $V_{CB}$

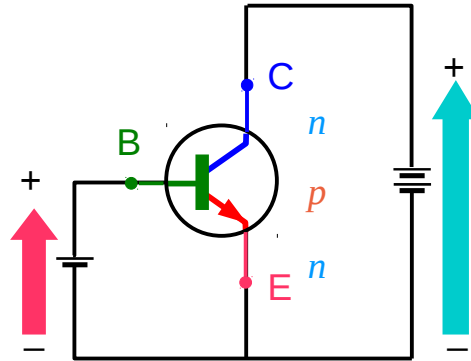
Common Base



$V_{BE}$  Voltage of **B** from **E**

$V_{CB}$  Voltage of **C** from **B**

Common Emitter



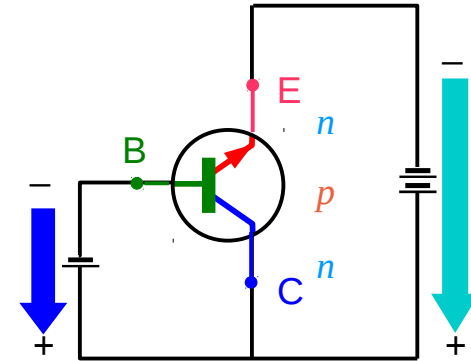
$V_{BE}$  Voltage of **B** from **E**

$V_{CE}$  Voltage of **C** from **E**

$$\parallel$$

$$V_{CB} + V_{BE}$$

Common Collector



$V_{CB}$  Voltage of **C** from **B**

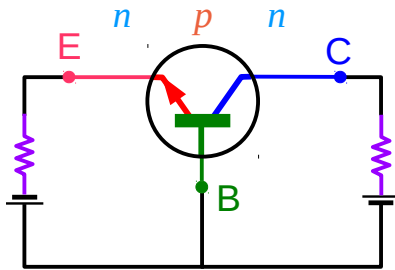
$V_{CE}$  Voltage of **C** from **E**

$$\parallel$$

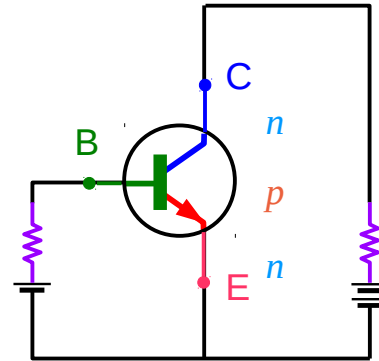
$$V_{CB} + V_{BE}$$

# Two voltage supplies with resistors - Active Region

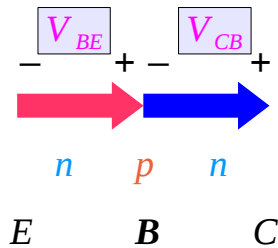
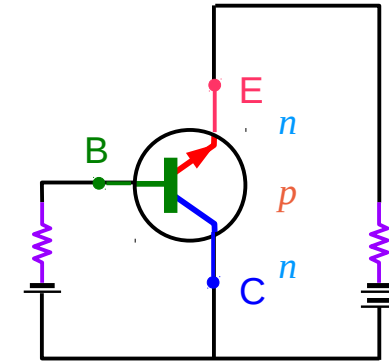
Common Base



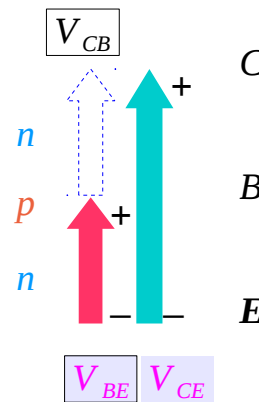
Common Emitter



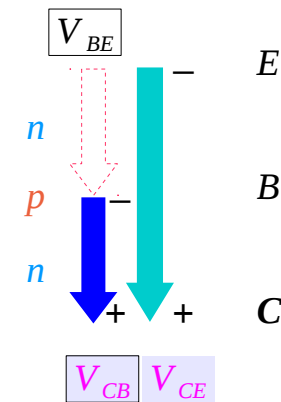
Common Collector



active



active



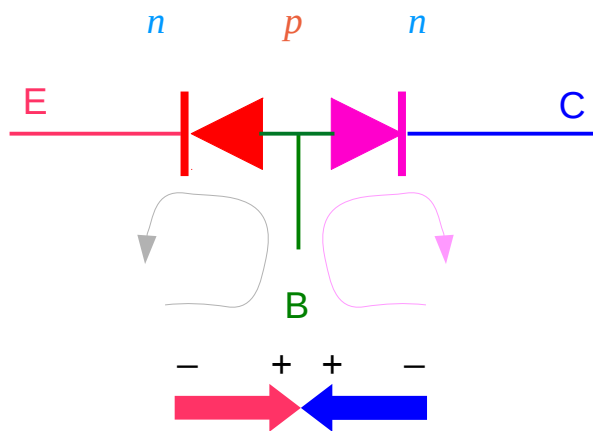
active

---

# Bias for Saturation Region

# Biassing Back-to-back Diodes – Saturation Region

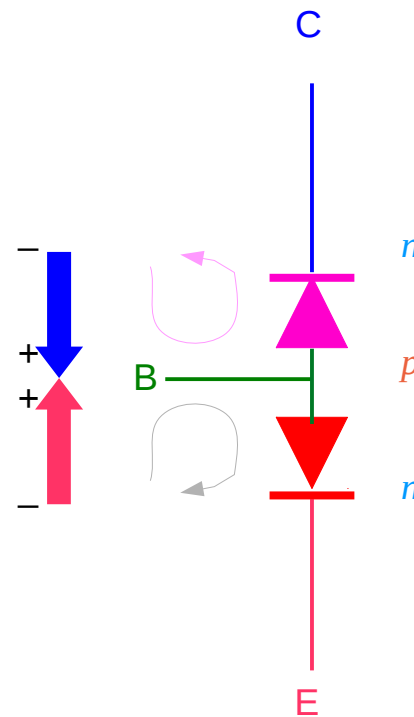
## Common Base



$V_{BE}$  forward bias  
 $V_{BC}$  forward bias

**saturation**

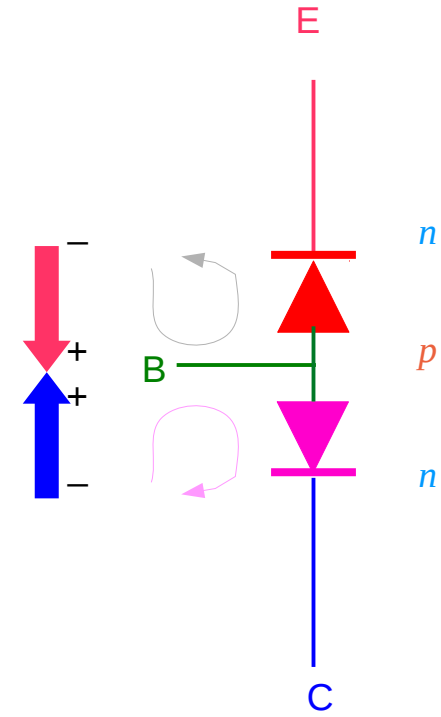
## Common Emitter



$V_{BE}$  forward bias  
 $V_{BC}$  forward bias

**saturation**

## Common Collector

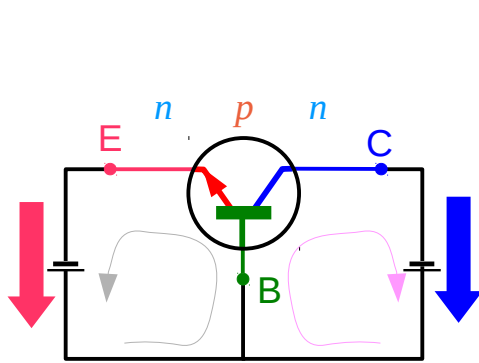


$V_{BE}$  forward bias  
 $V_{BC}$  forward bias

**saturation**

# Two voltage supplies - Saturation Region

**Common Base**

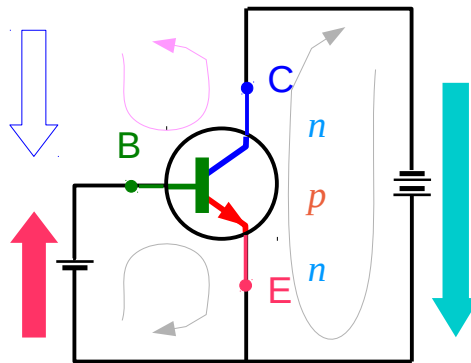


$V_{BE}$        $V_{BC}$

$V_{BE}$  forward bias  
 $V_{BC}$  forward bias

**saturation**

**Common Emitter**

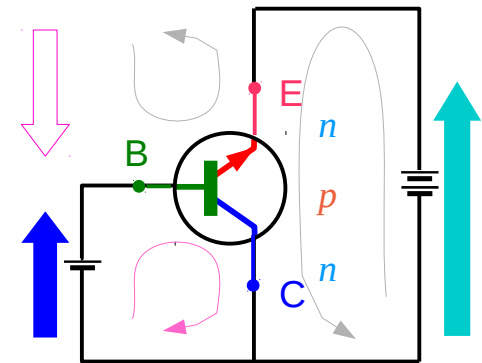


$V_{BE}$        $V_{EC}$

$V_{BE}$  forward bias  
 $V_{BC}$  forward bias

**saturation**

**Common Collector**



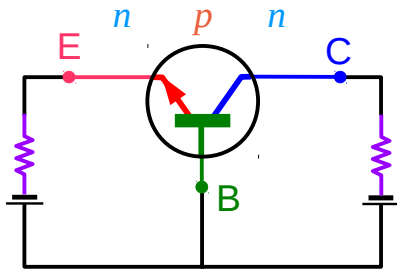
$V_{BC}$        $V_{EC}$

$V_{BE}$  forward bias  
 $V_{BC}$  forward bias

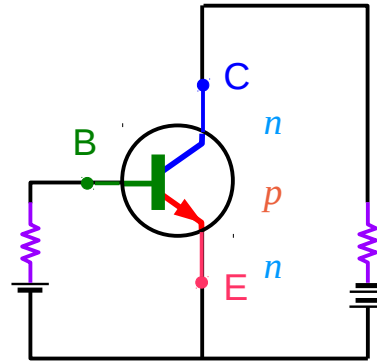
**saturation**

# Two voltage supplies with resistors – Sat Region

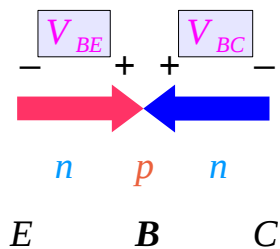
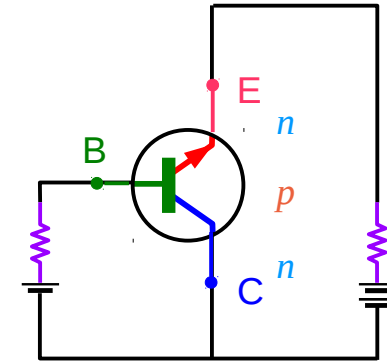
**Common Base**



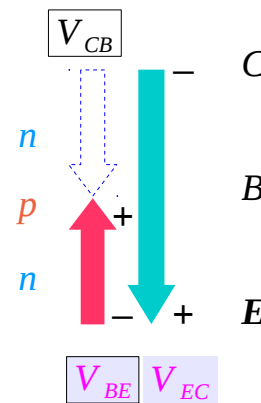
**Common Emitter**



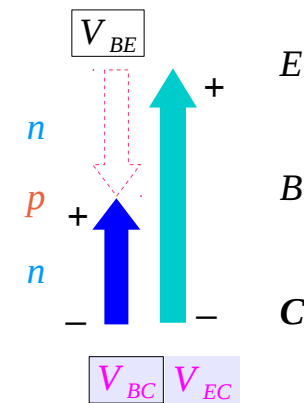
**Common Collector**



**saturation**



**saturation**



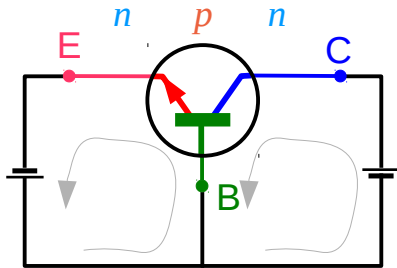
**saturation**





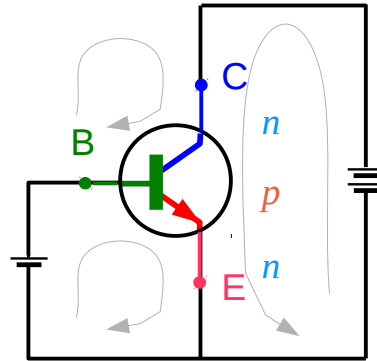
# Active and Saturation Regions (1)

**Common Base**



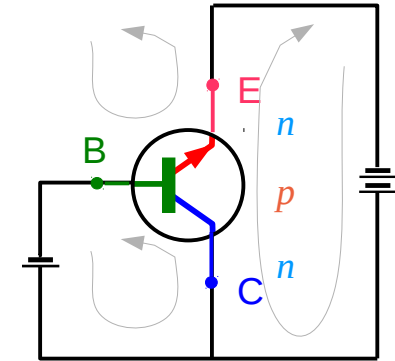
**active**

**Common Emitter**

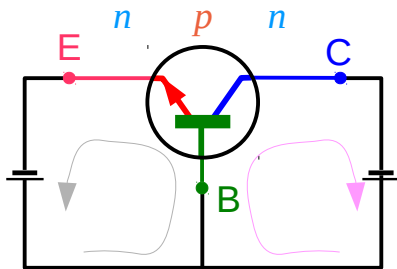


**active**

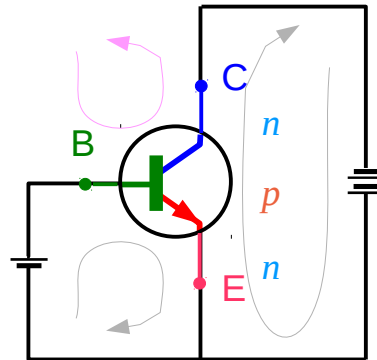
**Common Collector**



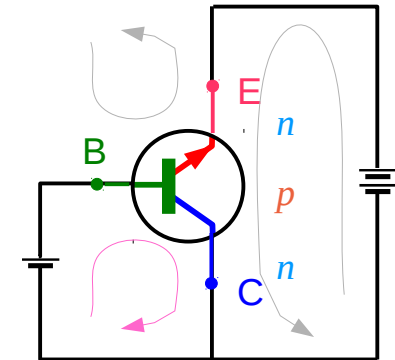
**active**



**saturation**



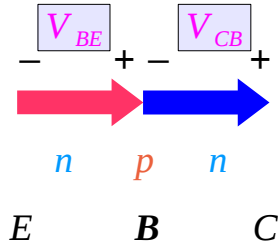
**saturation**



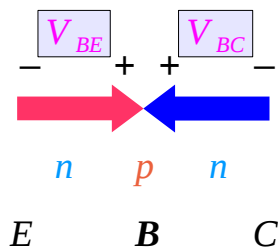
**saturation**

# Active and Saturation Regions (2)

## Common Base

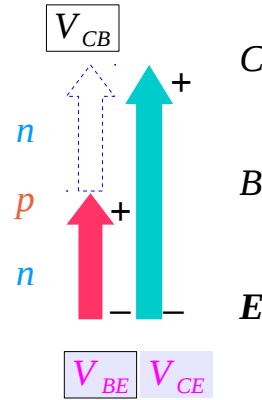


**active**

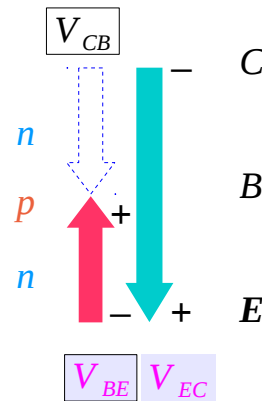


**saturation**

## Common Emitter

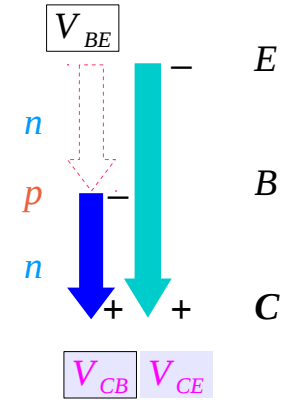


**active**

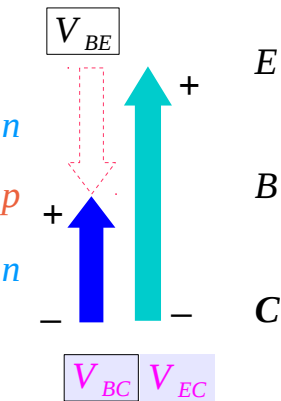


**saturation**

## Common Collector



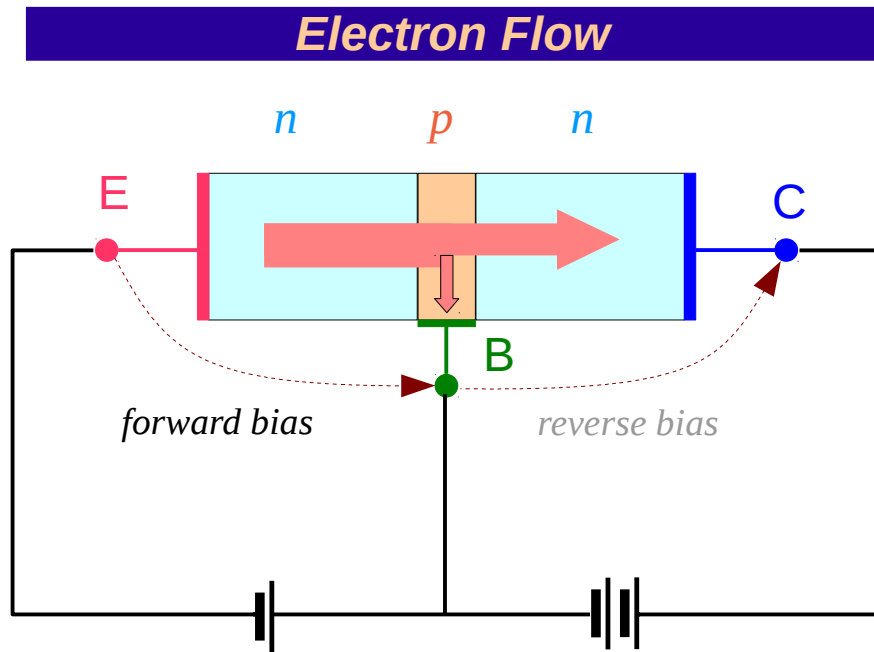
**active**



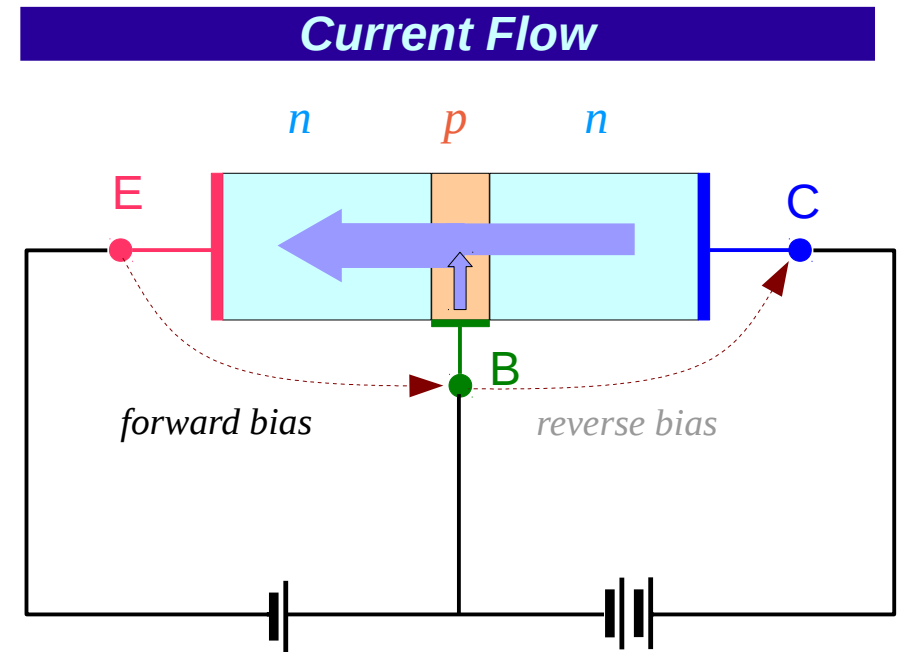
**saturation**



# Common Base (1)



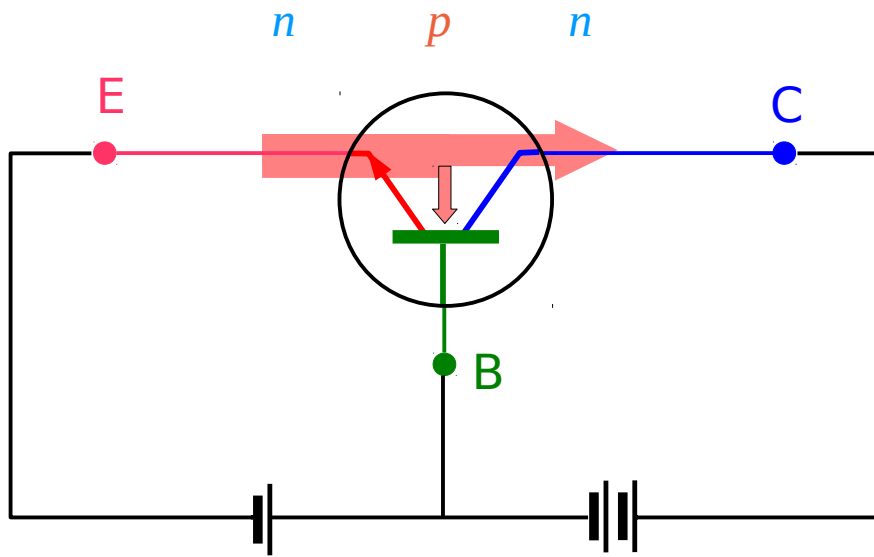
**Common Base**



**Common Base**

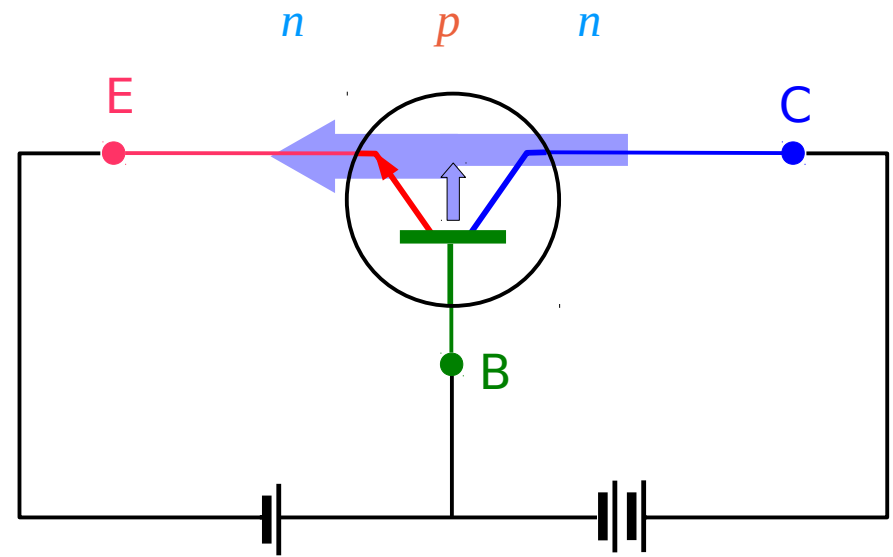
# Common Base (2)

*Electron Flow*

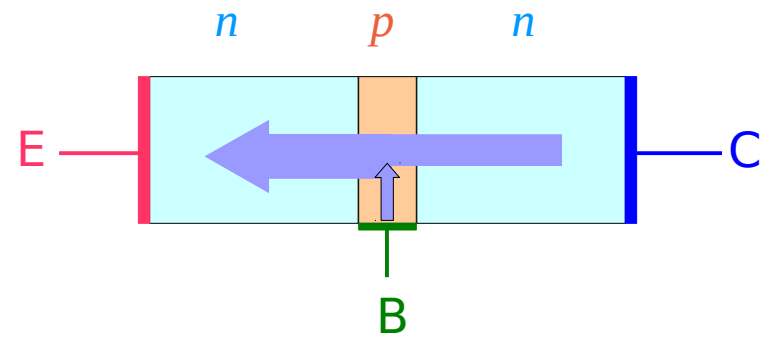
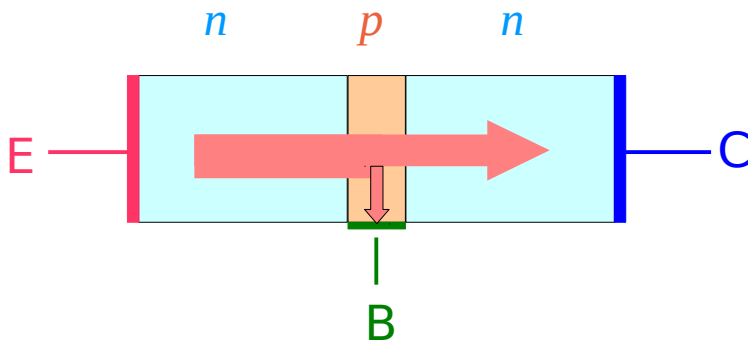


*Common Base*

*Current Flow*

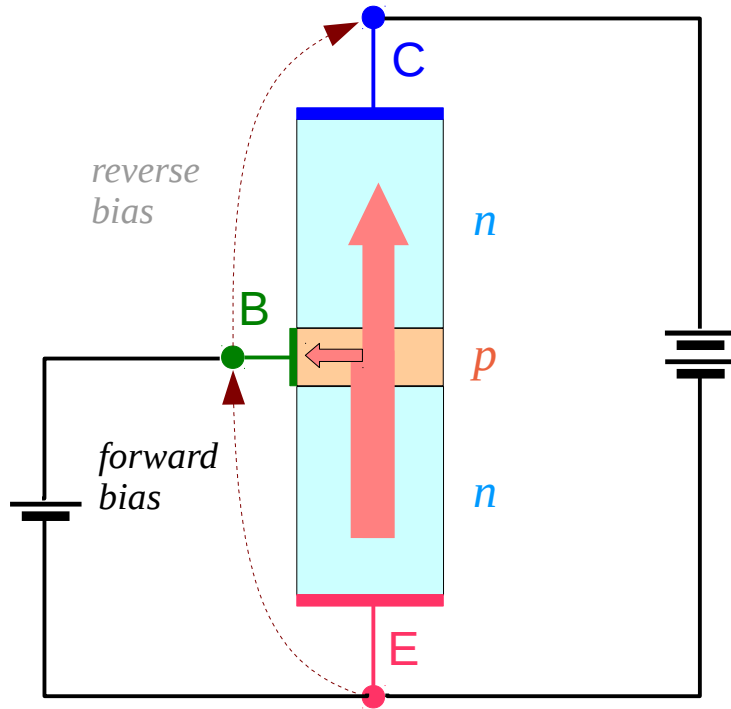


*Common Base*



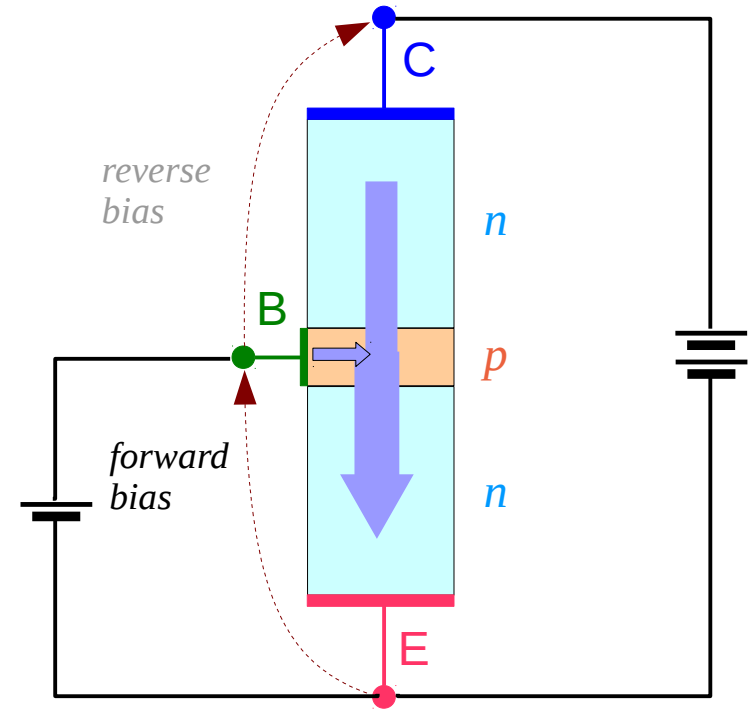
# Common Emitter (1)

*Electron Flow*



*Common Emitter*

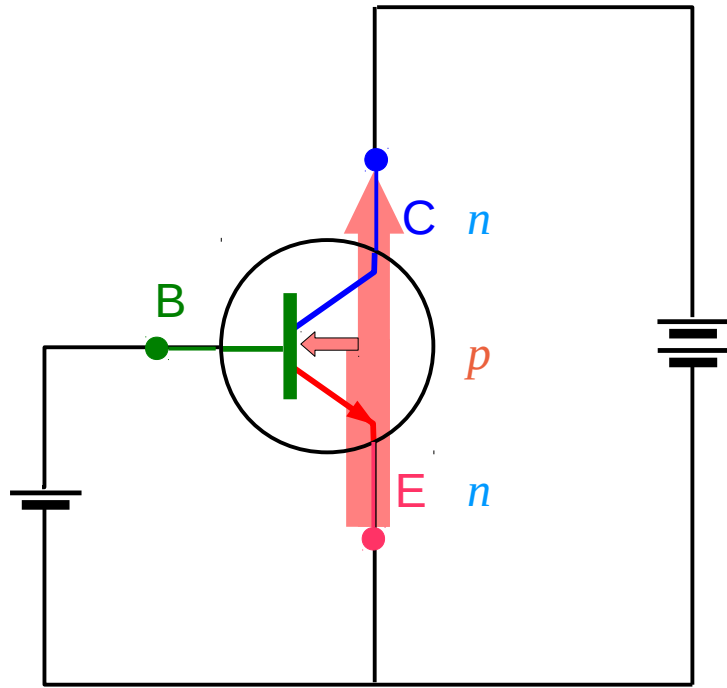
*Current Flow*



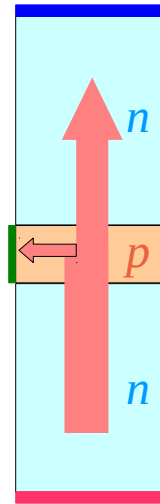
*Common Emitter*

# Common Emitter (2)

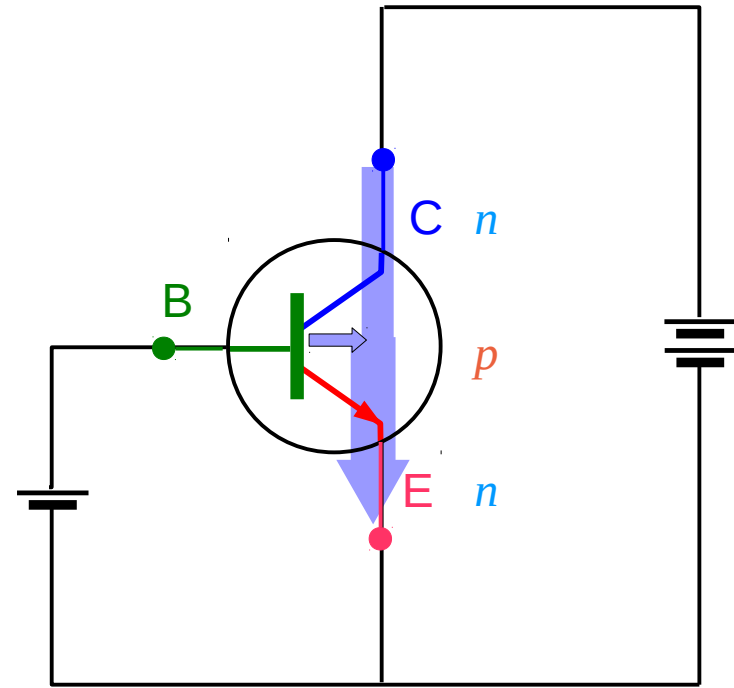
*Electron Flow*



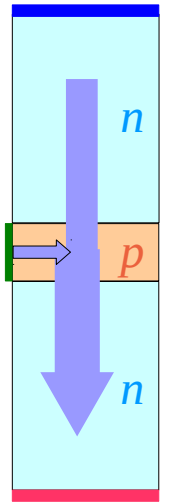
*Common Emitter*



*Current Flow*



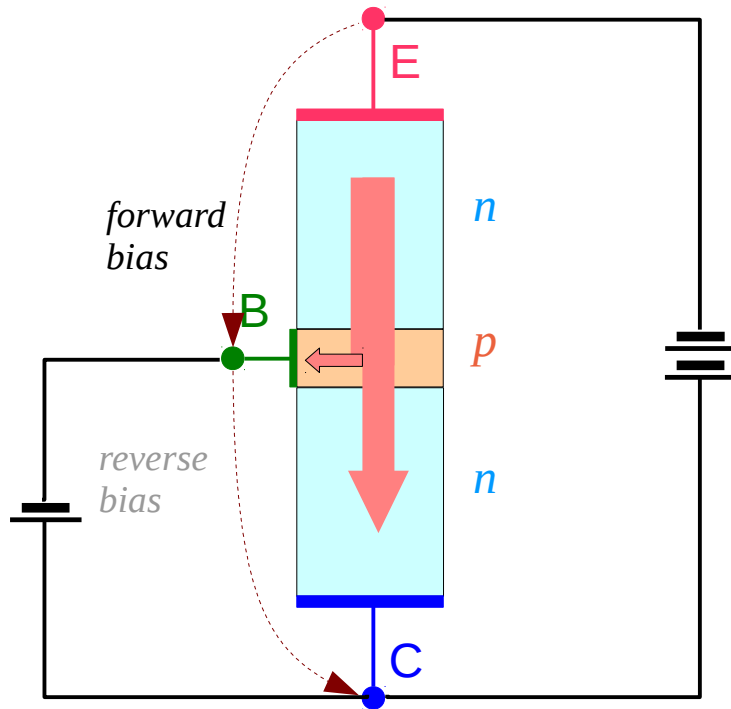
*Common Emitter*





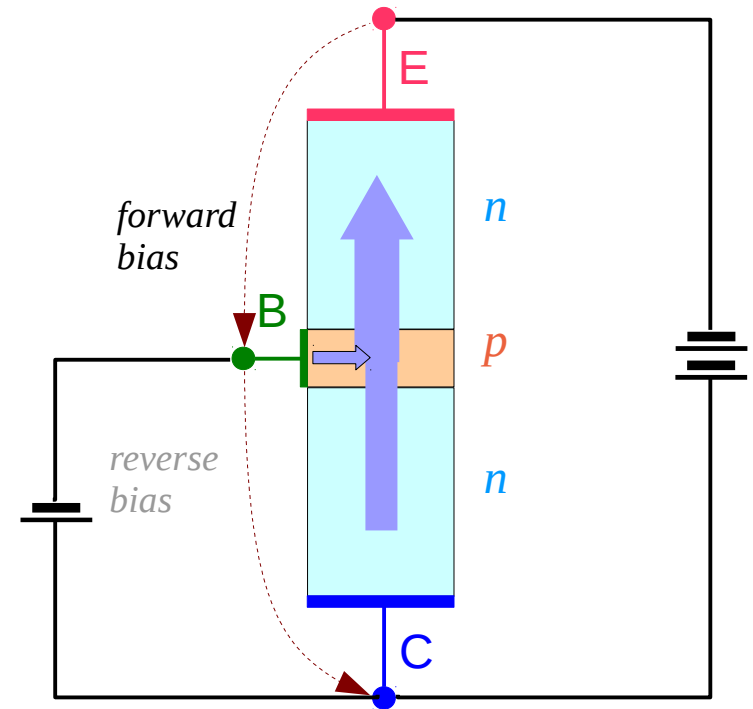
# Common Collector (1)

## Electron Flow



Common Collector

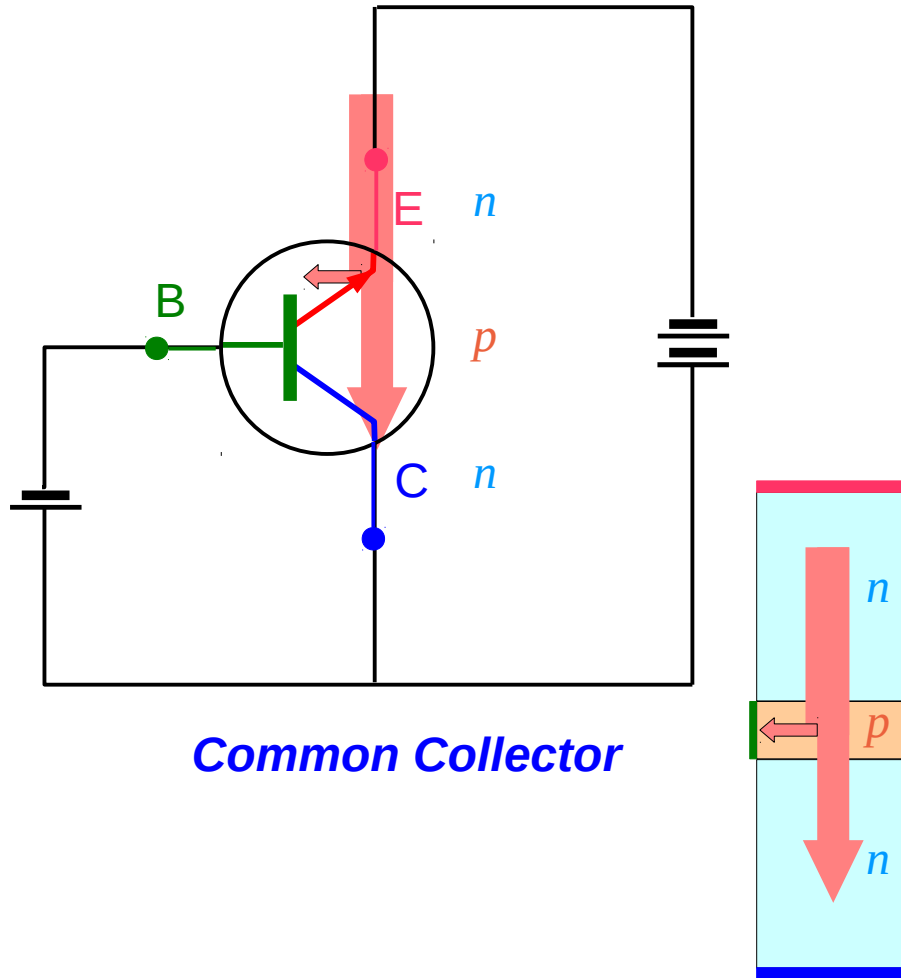
## Current Flow



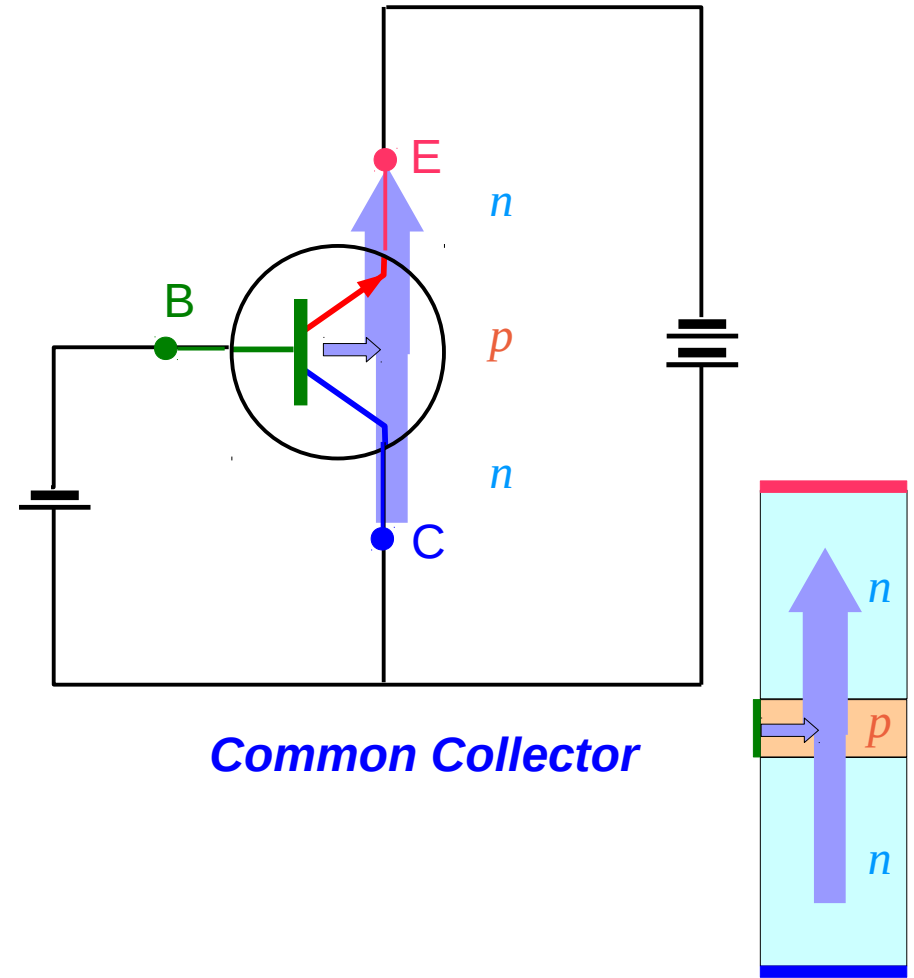
Common Collector

# Common Collector (2)

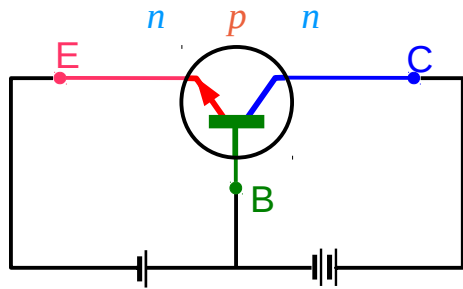
## Electron Flow



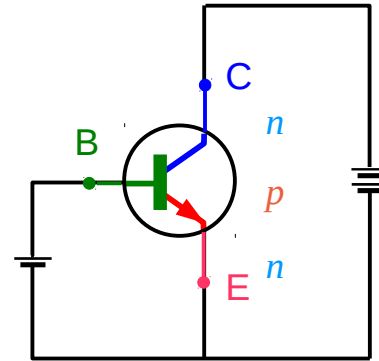
## Current Flow



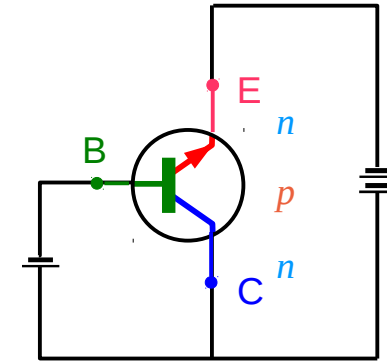
# BJT Bias



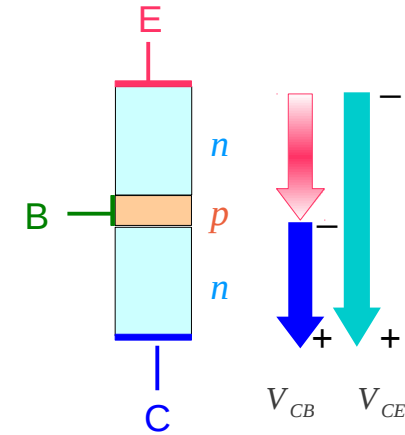
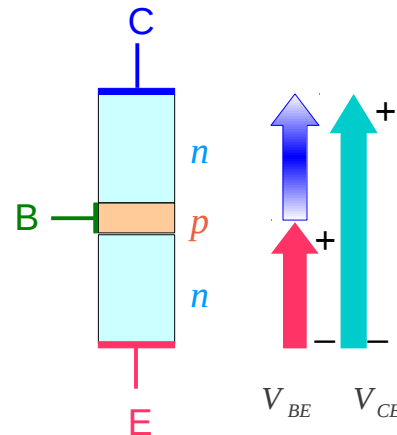
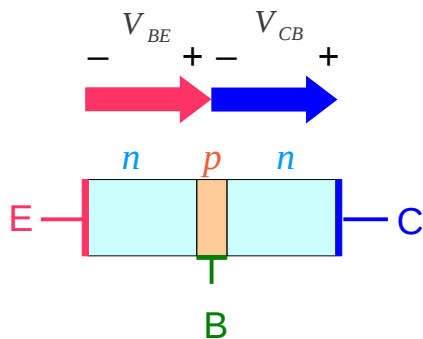
**Common Base**



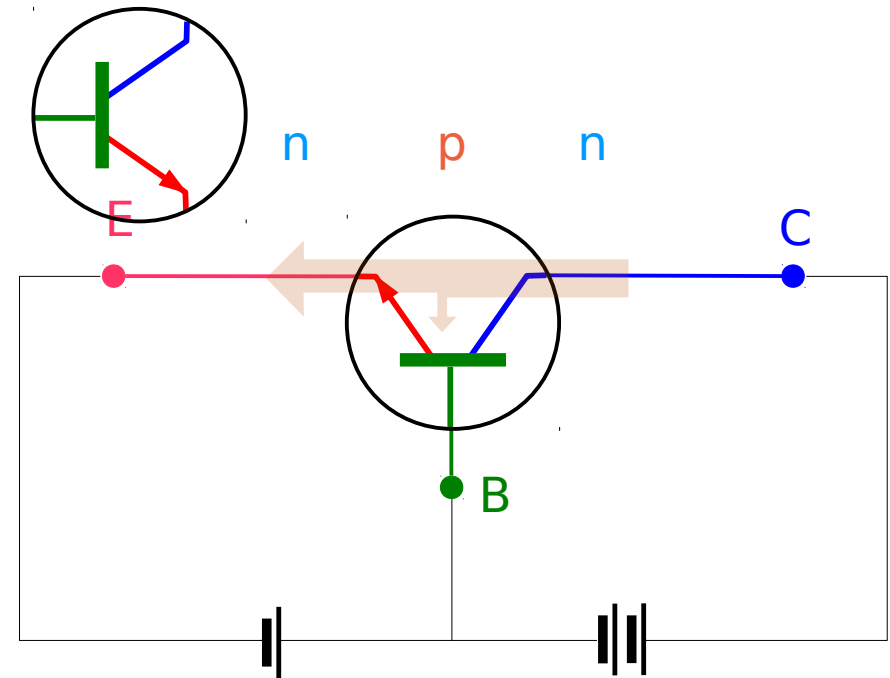
**Common Emitter**



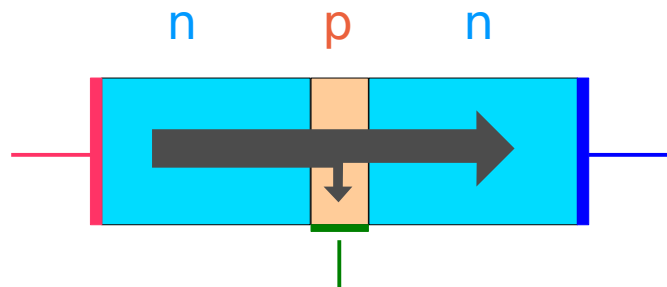
**Common Collector**



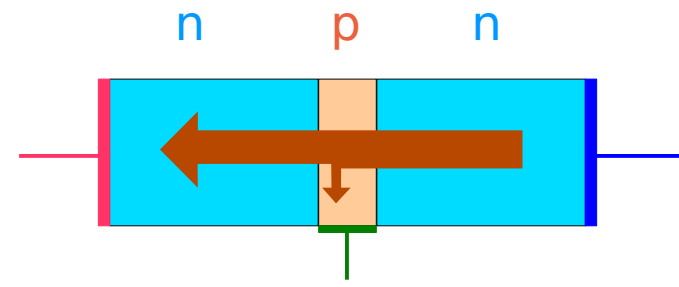
# Common Emitter (2)



*Electron Flow*



*Current Flow*



## References

[1] <http://en.wikipedia.org/>

[2] J.H. McClellan, et al., Signal Processing First, Pearson Prentice Hall, 2003