

Cylinder Sequencing

-

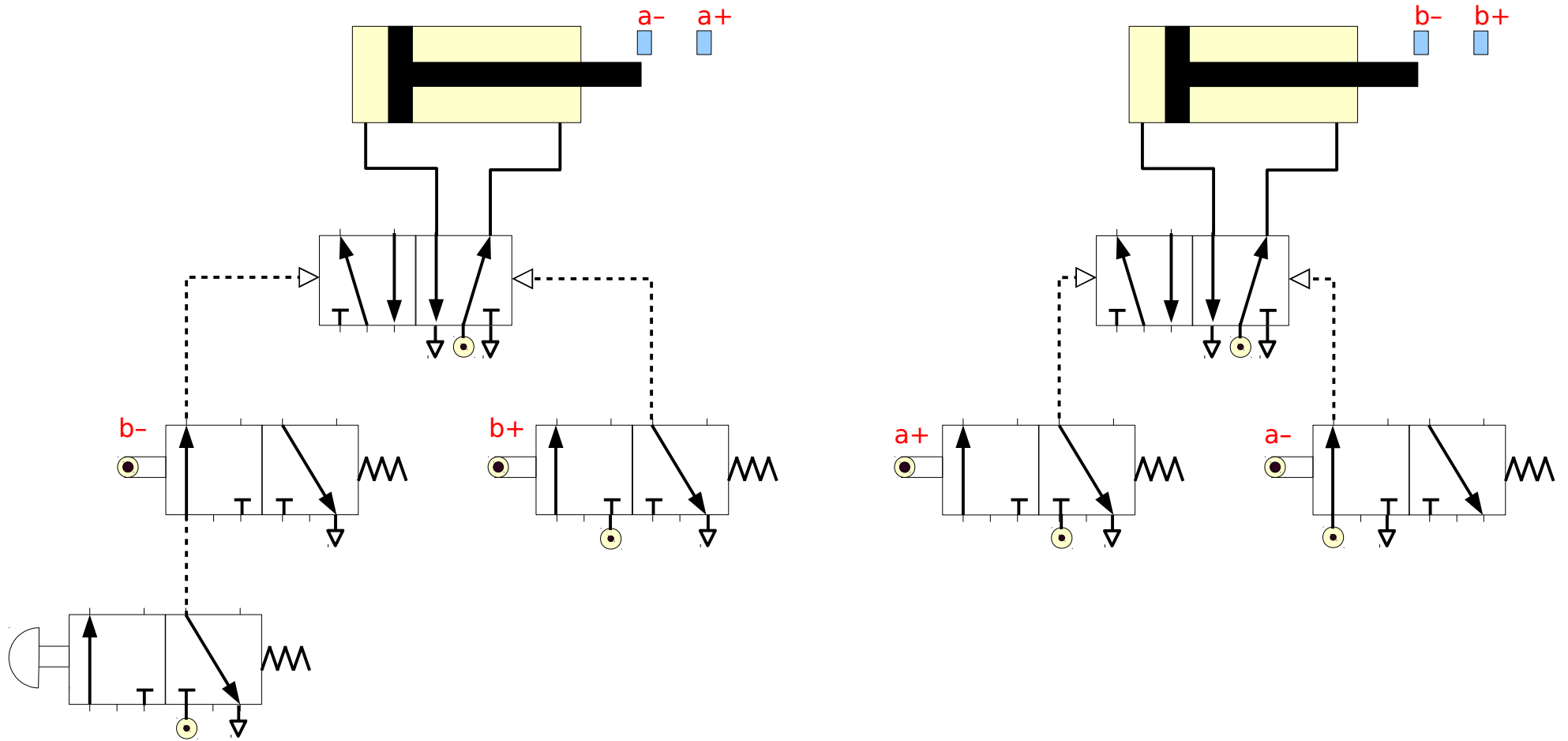
Copyright (c) 2014 Young W. Lim.

Permission is granted to copy, distribute and/or modify this document under the terms of the GNU Free Documentation License, Version 1.2 or any later version published by the Free Software Foundation; with no Invariant Sections, no Front-Cover Texts, and no Back-Cover Texts. A copy of the license is included in the section entitled "GNU Free Documentation License".

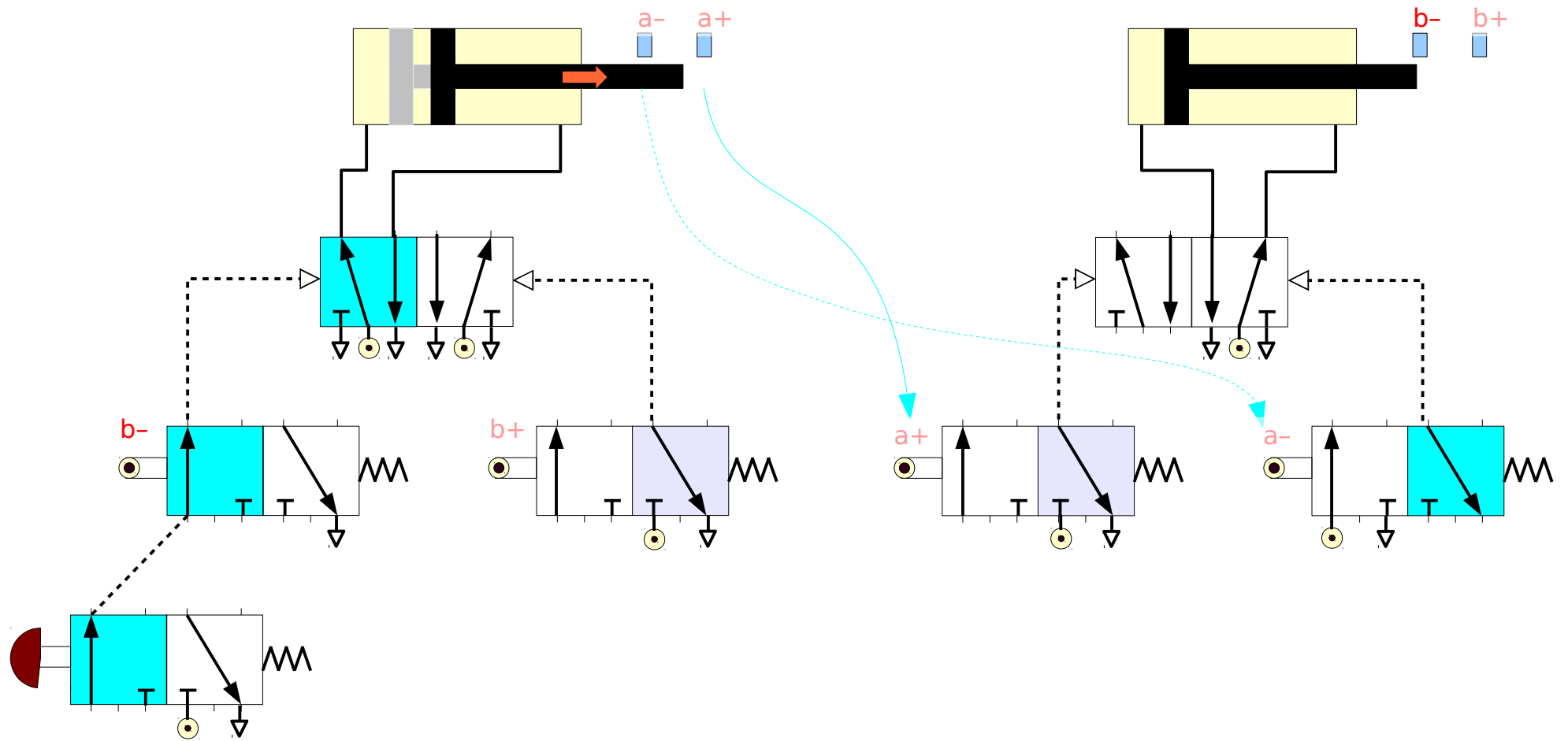
Please send corrections (or suggestions) to youngwlim@hotmail.com.

This document was produced by using OpenOffice and Octave.

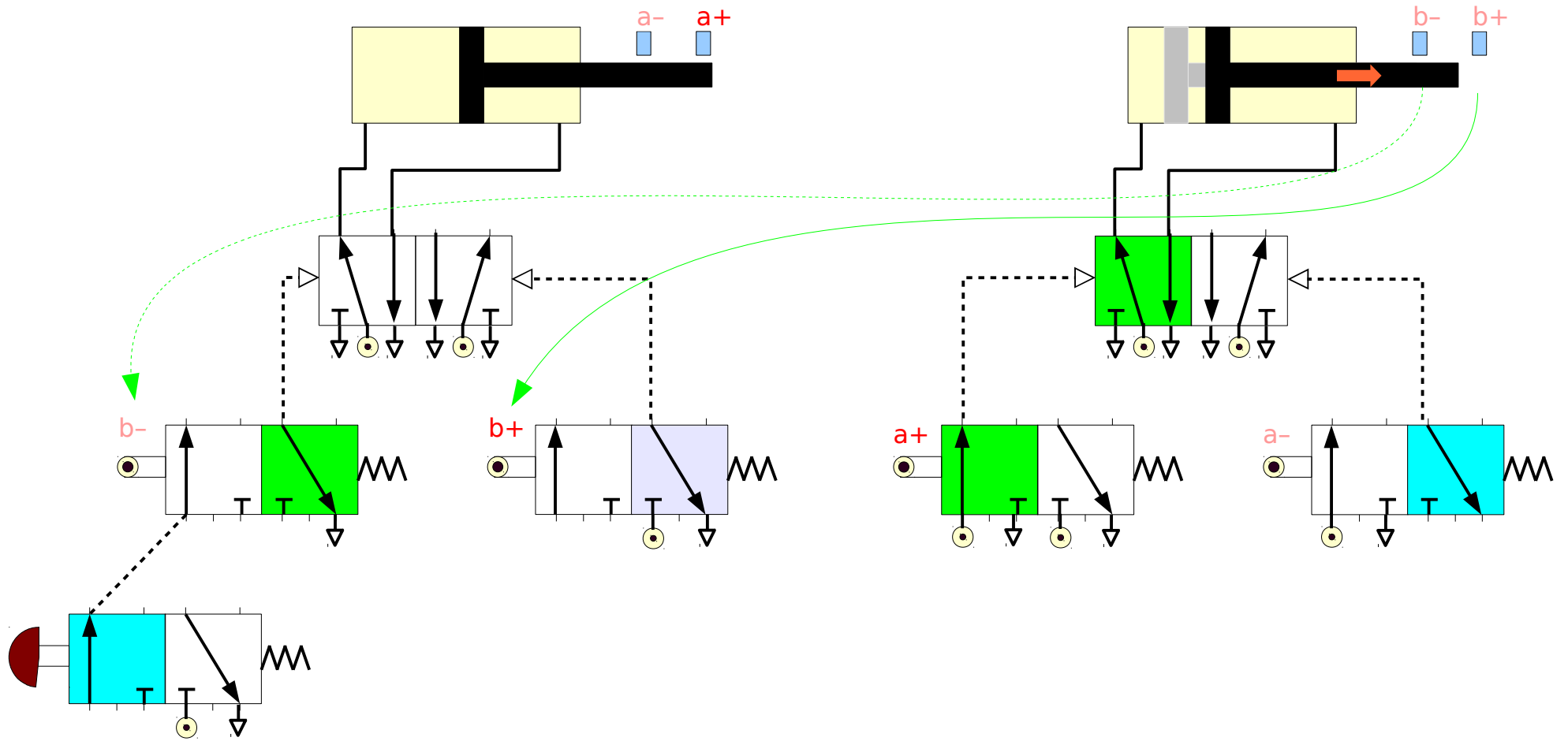
Two Actuator Sequential Operation



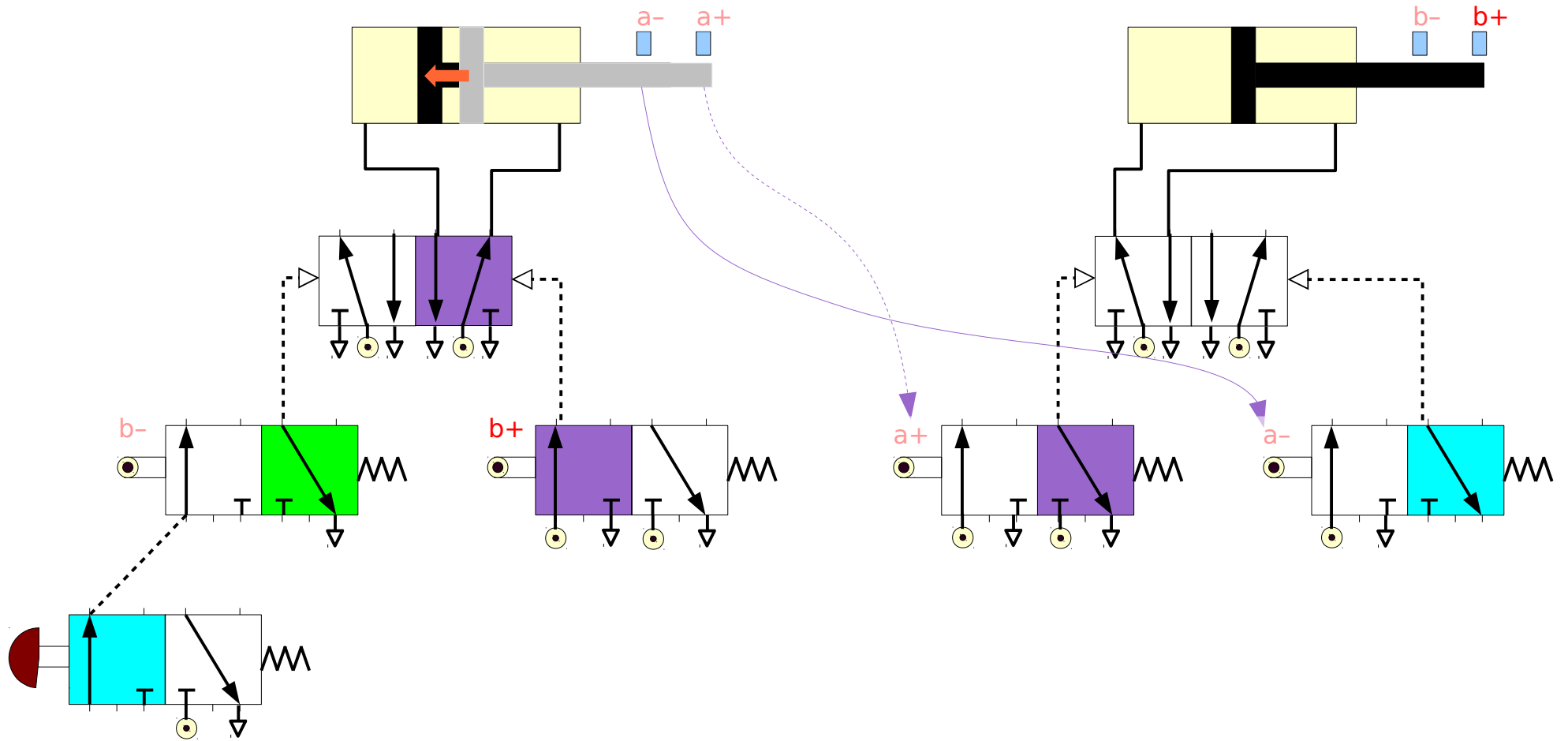
Step 1



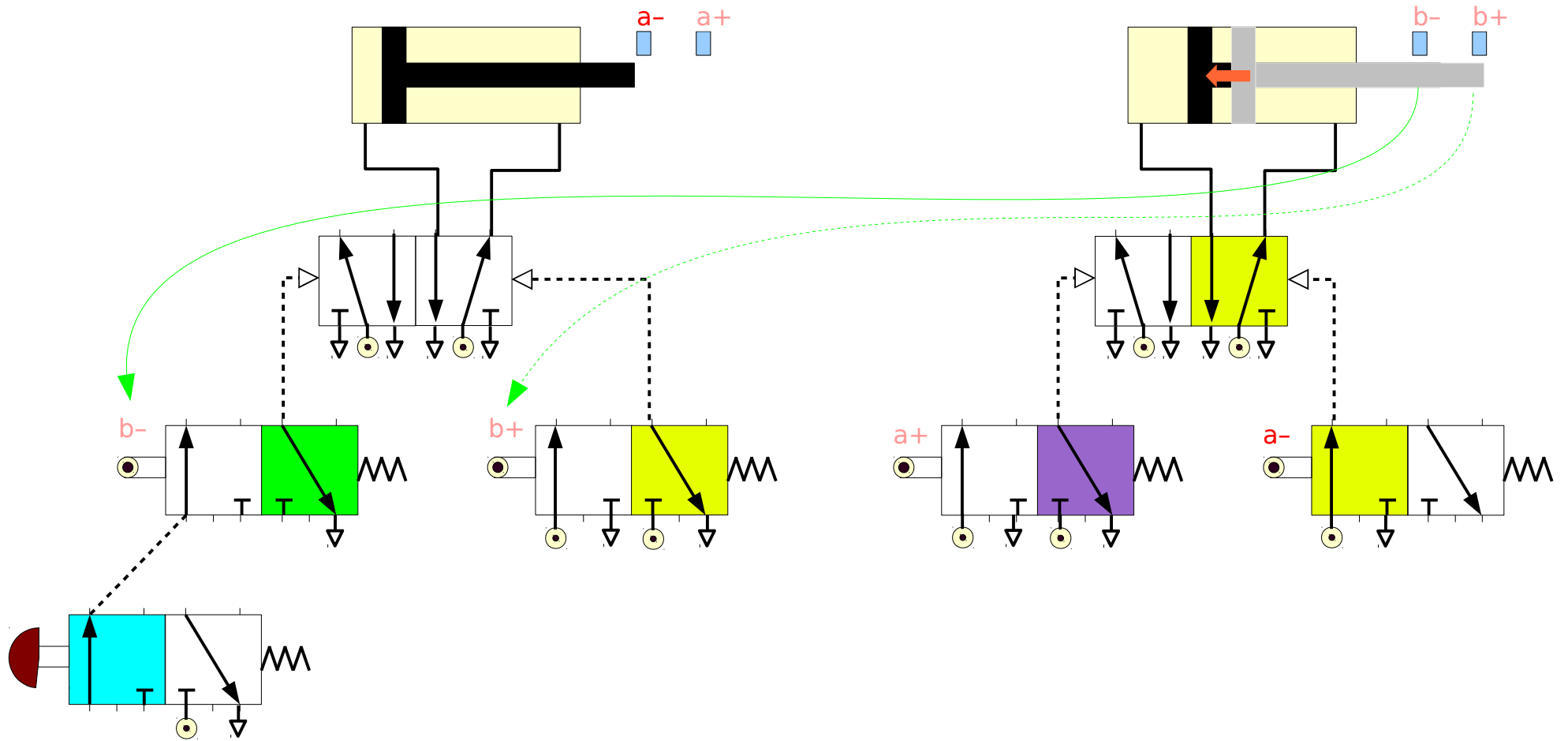
Step 2



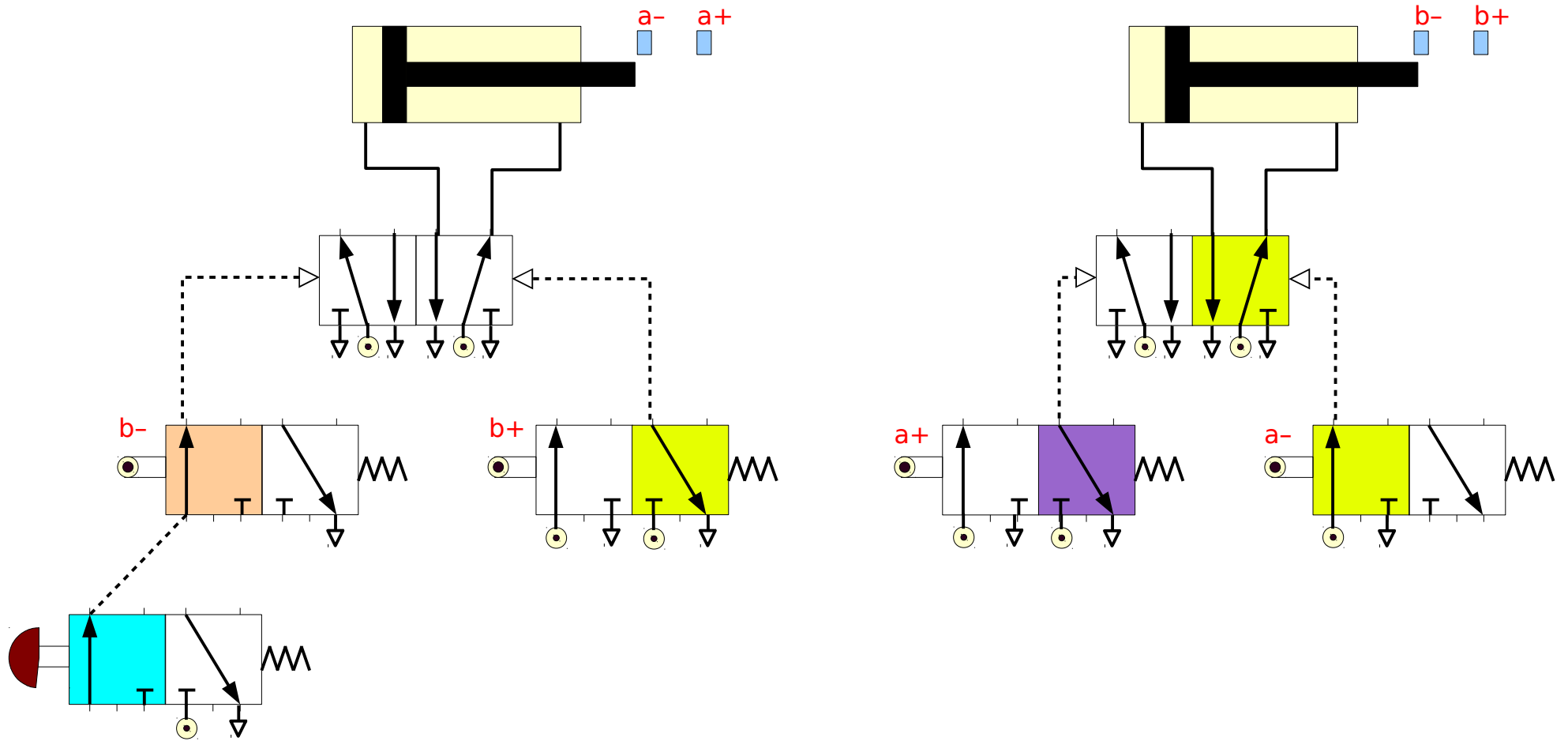
Step 3



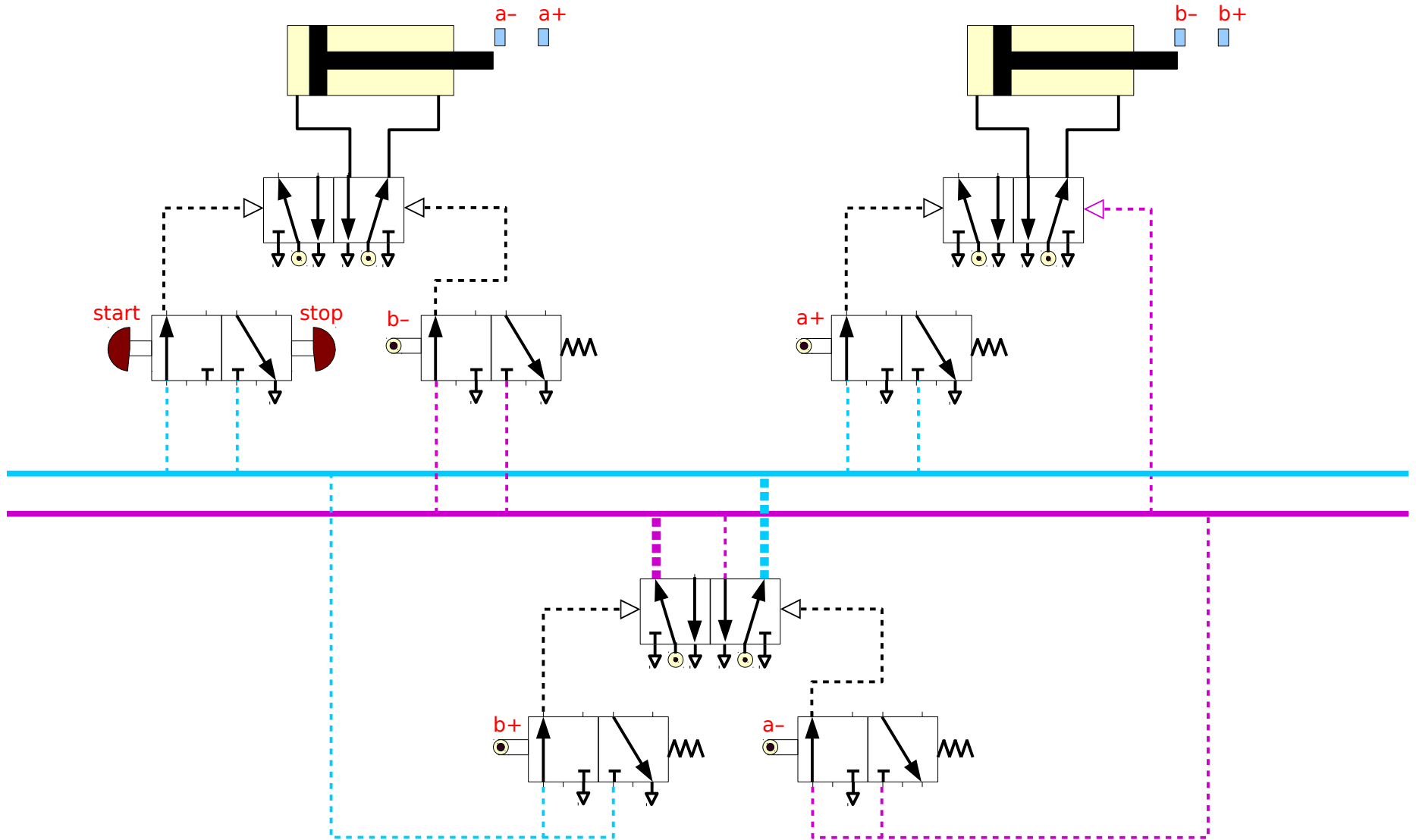
Step 4



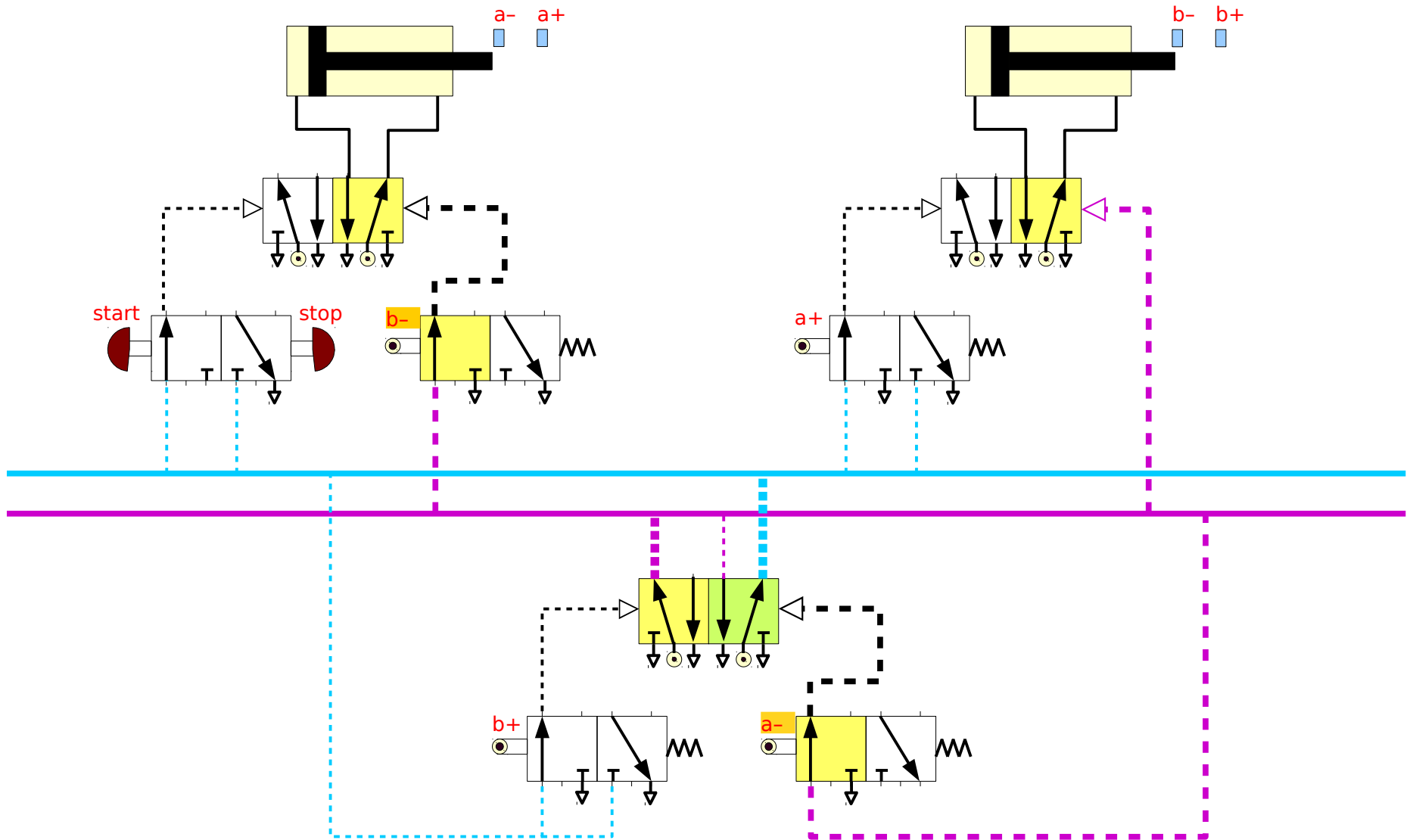
Step 5



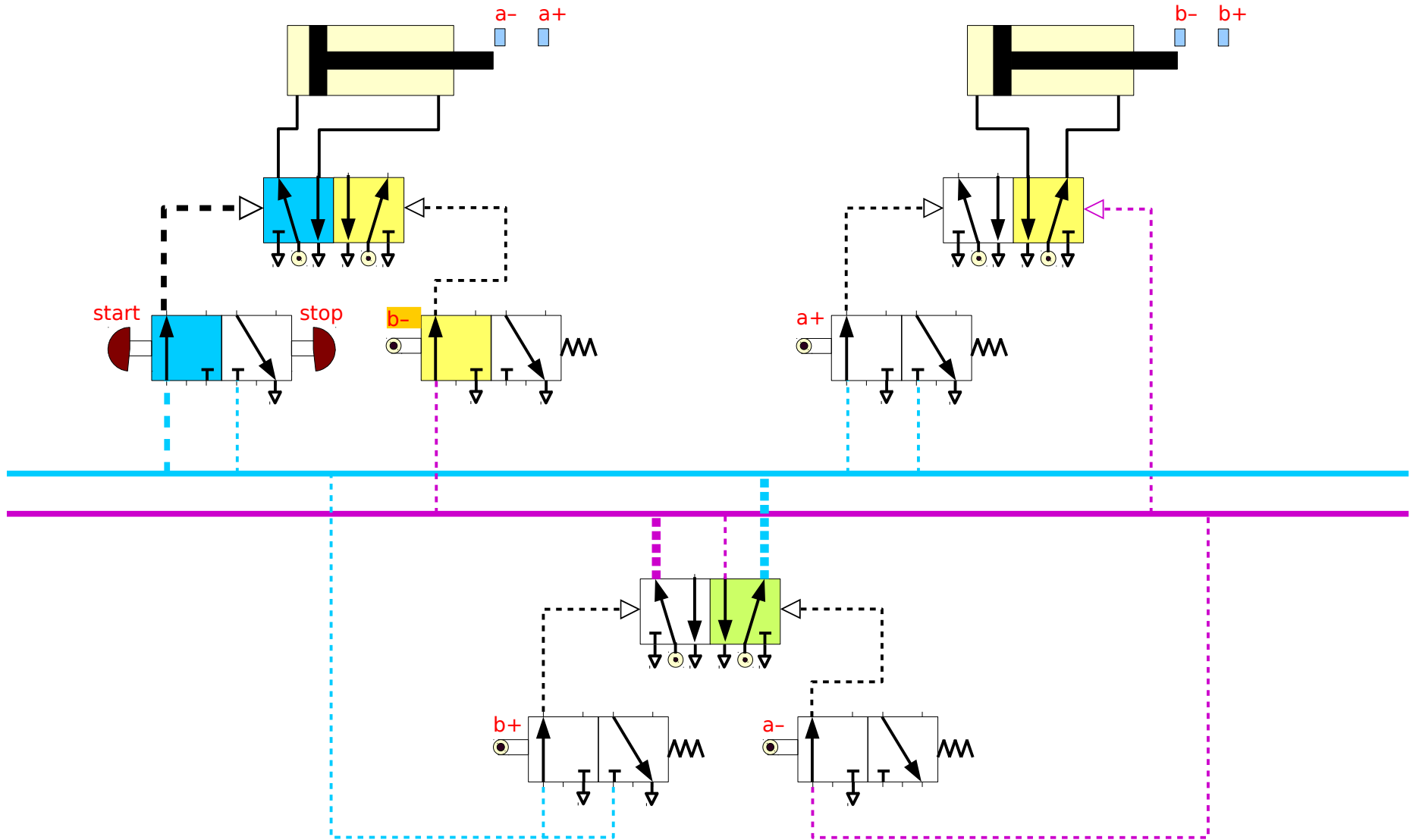
Cascade Control



Before Start



Start



References

- [1] <http://en.wikipedia.org/>
- [2] J.H. McClellan, et al., Signal Processing First, Pearson Prentice Hall, 2003
- [3] M. J. Roberts, Fundamentals of Signals and Systems
- [4] S. J. Orfanidis, Introduction to Signal Processing
- [5] B. P. Lathi, Signals and Systems