

FF and Latch

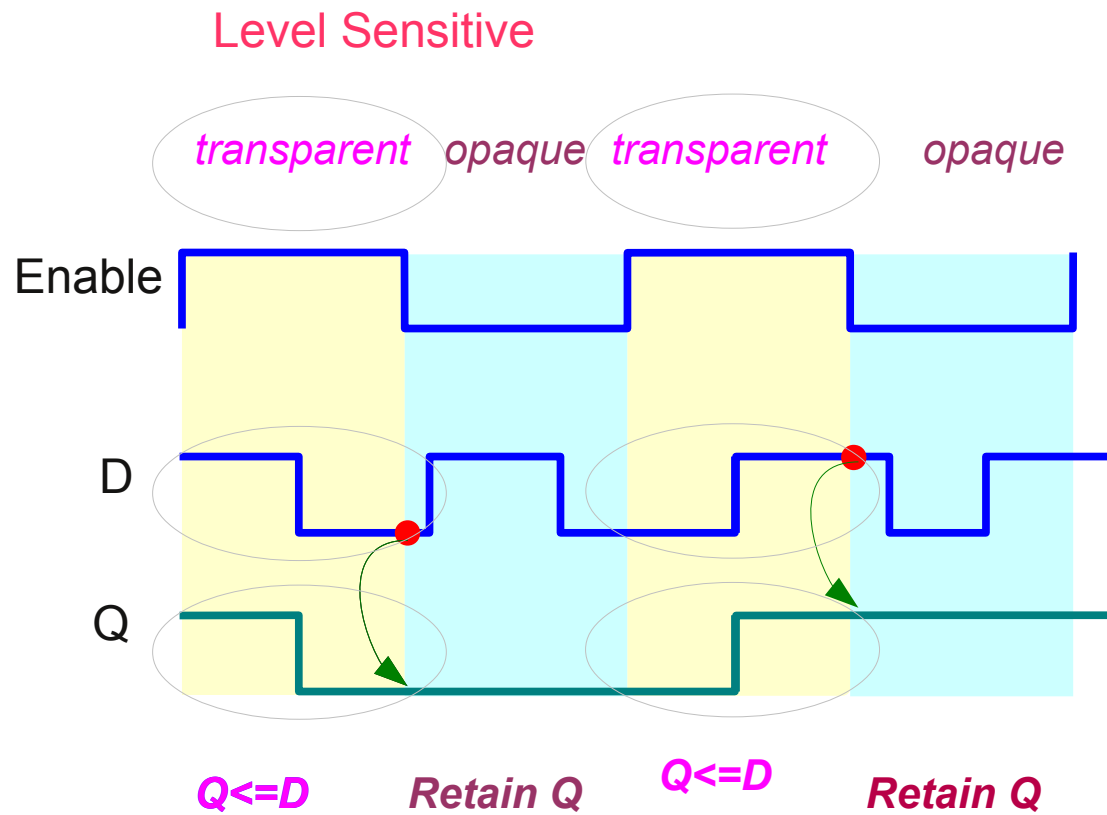
Copyright (c) 2011 Young W. Lim.

Permission is granted to copy, distribute and/or modify this document under the terms of the GNU Free Documentation License, Version 1.2 or any later version published by the Free Software Foundation; with no Invariant Sections, no Front-Cover Texts, and no Back-Cover Texts. A copy of the license is included in the section entitled "GNU Free Documentation License".

Please send corrections (or suggestions) to youngwlim@hotmail.com.

This document was produced by using OpenOffice and Octave.

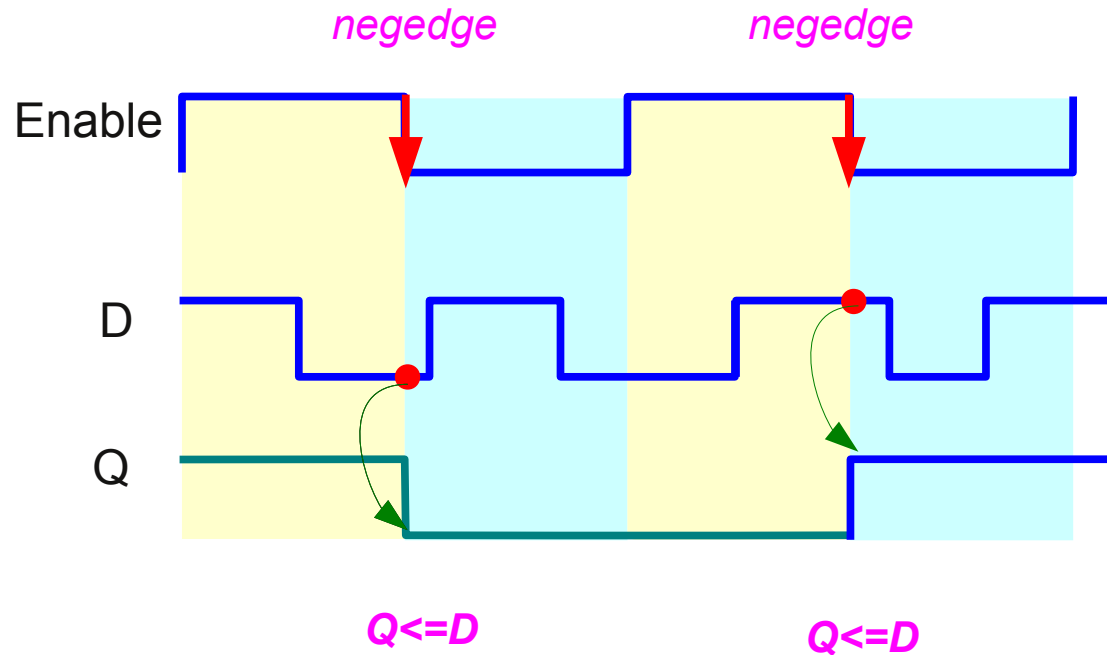
Latch



```
process (D,Enable)
begin
  if Enable = '1' then
    Q <= D;
  end if;
end process;
```

Flip Flop

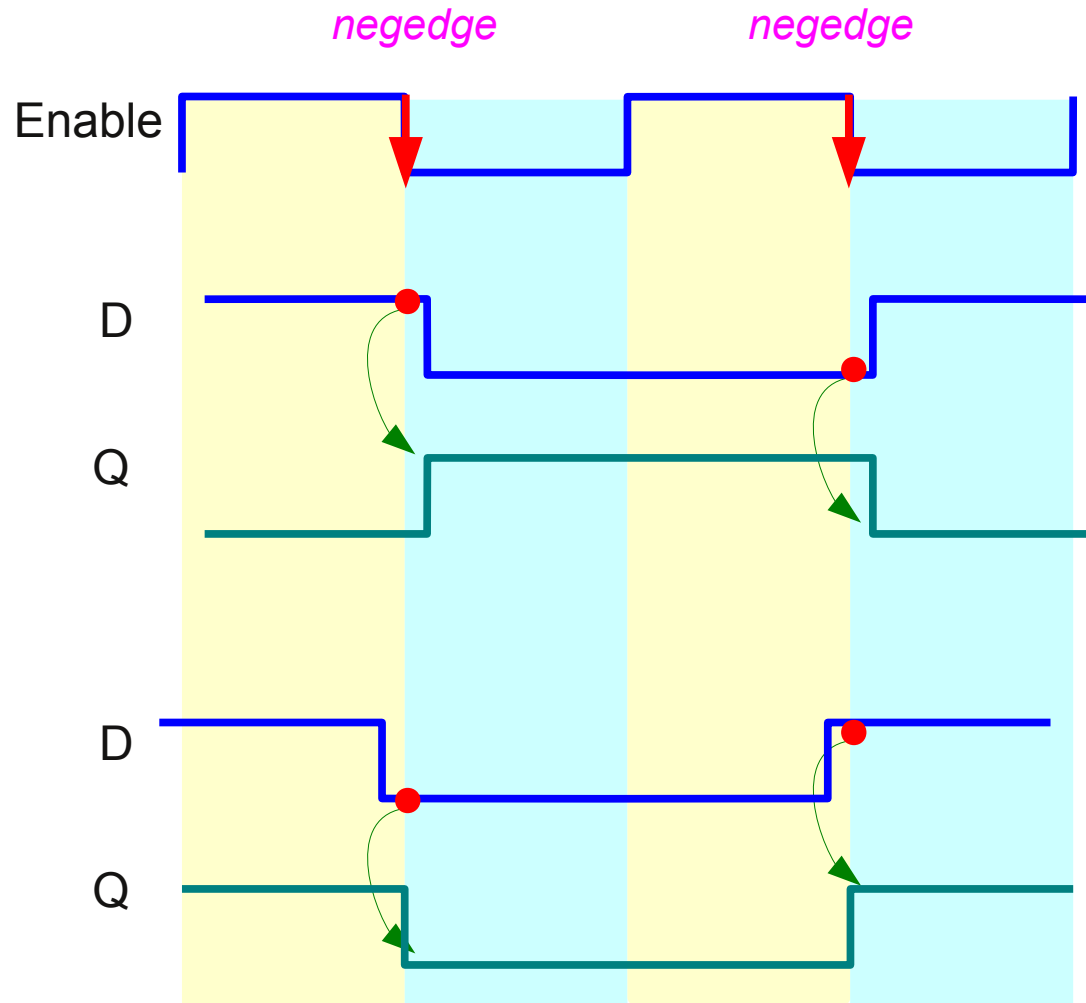
Edge Sensitive



```
DFF : process(RST, CLK)
begin
  if RST = '1' then
    Q <= '0';
  elsif CLK'event and CLK = '0'
  then
    Q <= D;
  end if;
end process DFF;
```

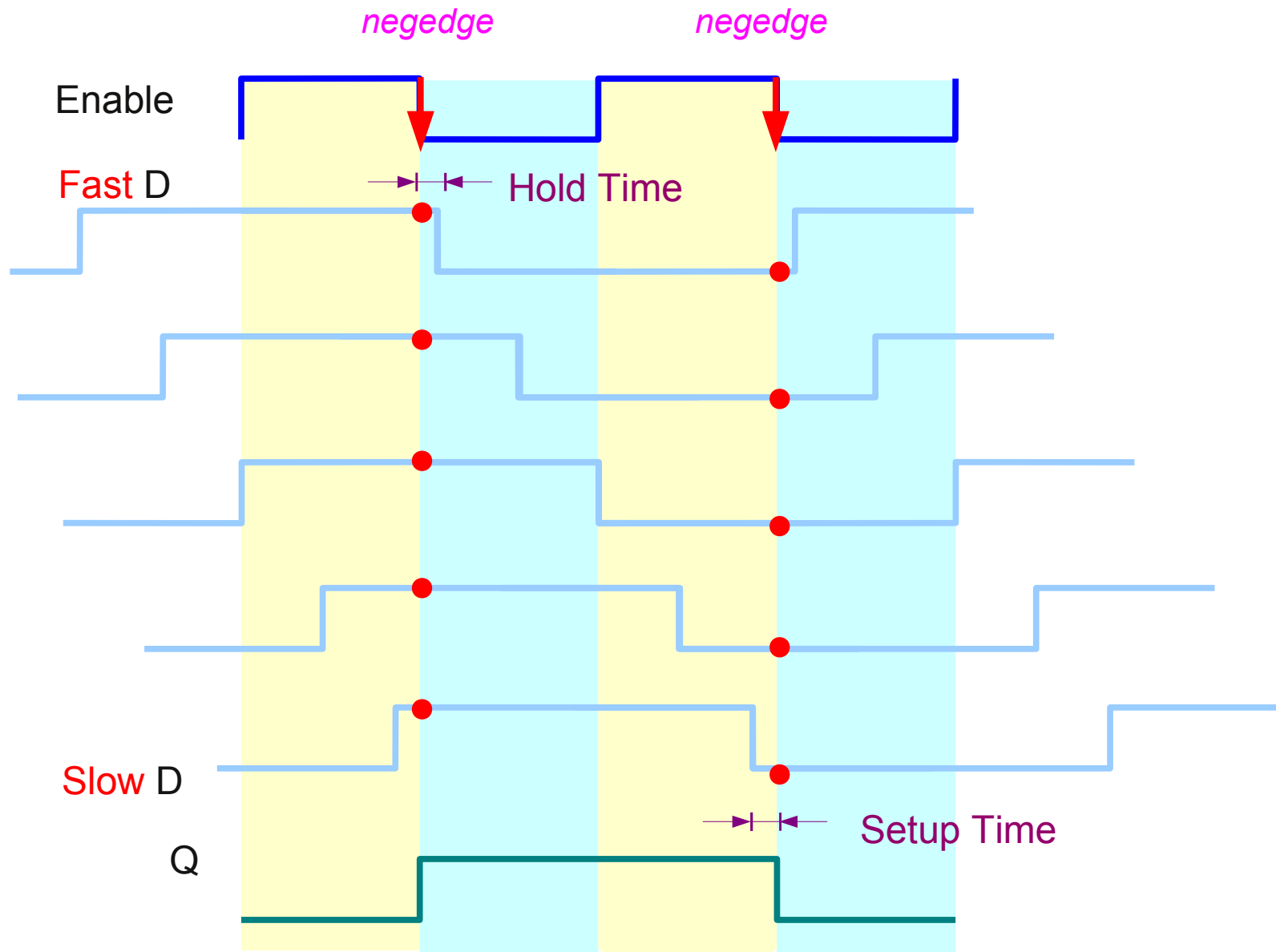
Flip Flop (2)

Edge Sensitive



```
DFF : process(RST, CLK)
begin
  if RST = '1' then
    Q <= '0';
  elsif CLK'event and CLK = '0'
  then
    Q <= D;
  end if;
end process DFF;
```

Flip Flop Setup / Hold Time



References

[1] <http://en.wikipedia.org/>

[2]