

# GPIO

---

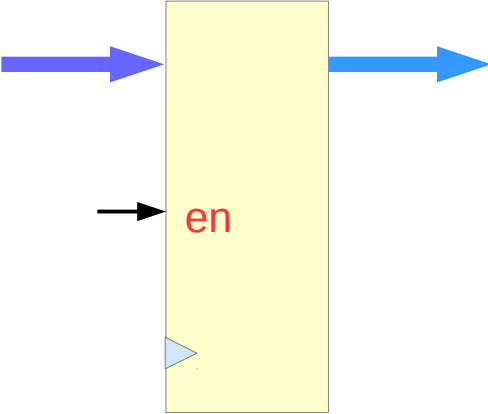
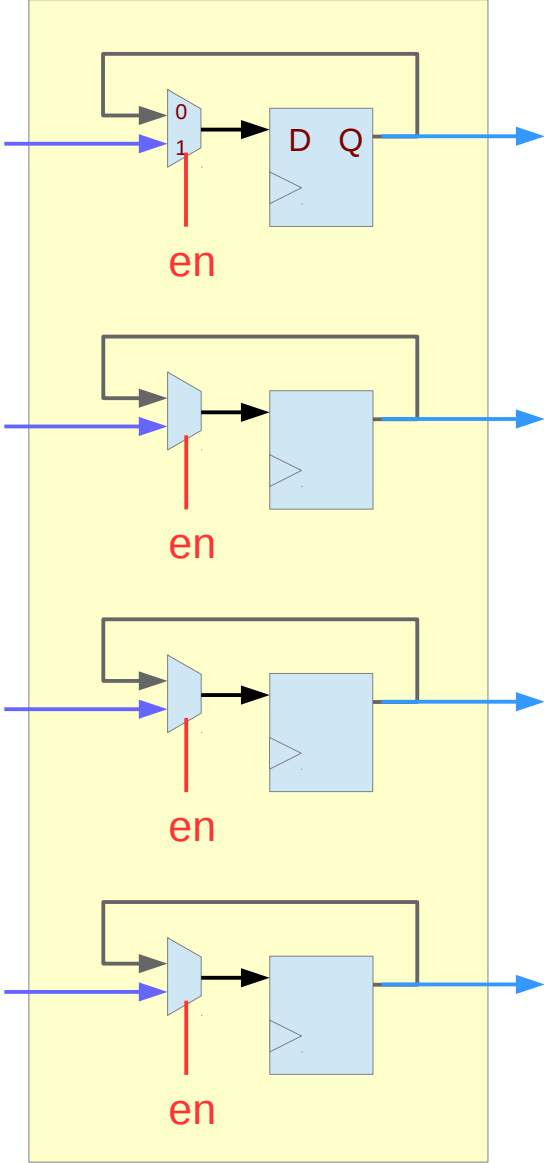
Copyright (c) 2014 Young W. Lim.

Permission is granted to copy, distribute and/or modify this document under the terms of the GNU Free Documentation License, Version 1.2 or any later version published by the Free Software Foundation; with no Invariant Sections, no Front-Cover Texts, and no Back-Cover Texts. A copy of the license is included in the section entitled "GNU Free Documentation License".

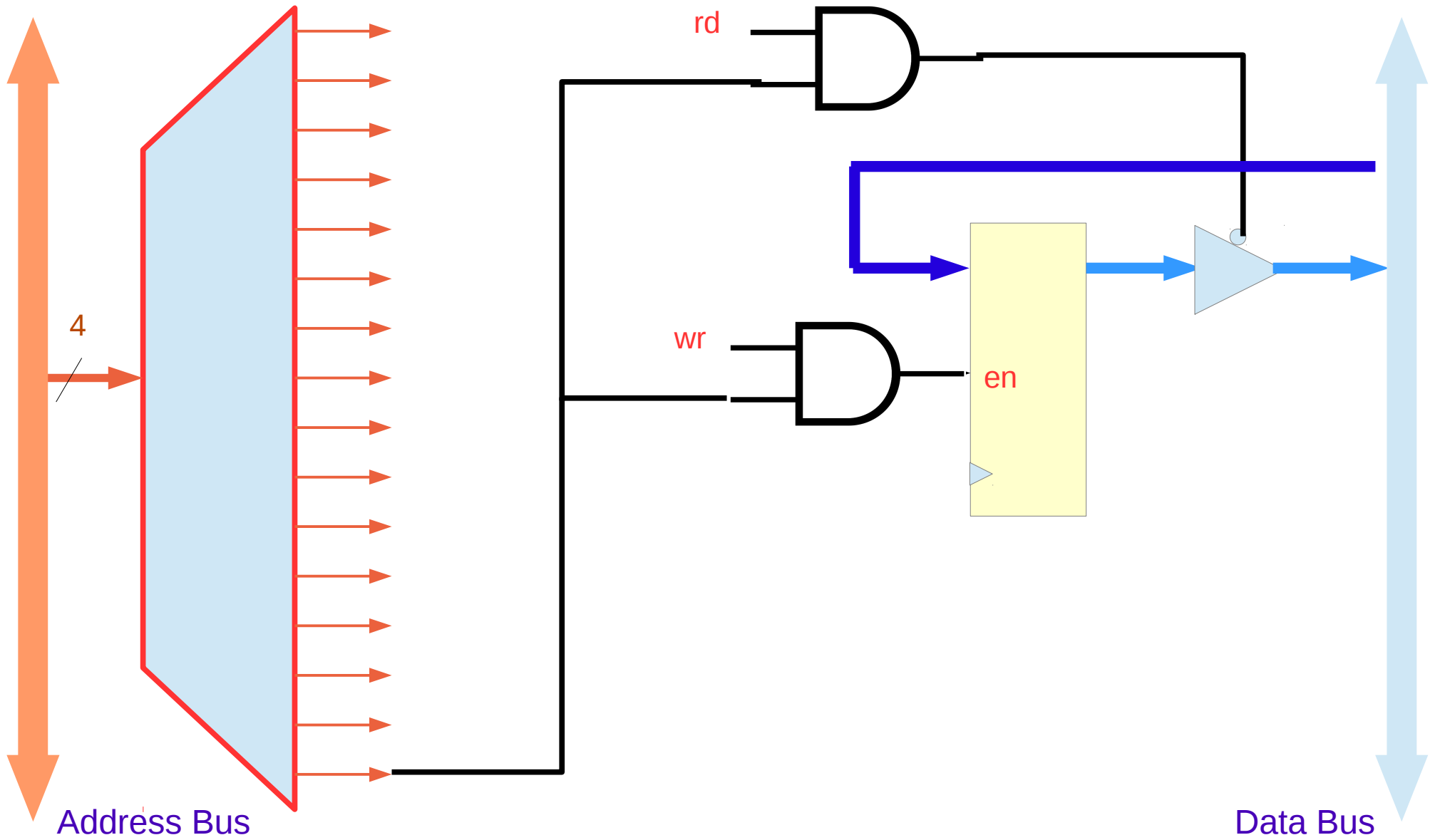
Please send corrections (or suggestions) to [youngwlim@hotmail.com](mailto:youngwlim@hotmail.com).

This document was produced by using OpenOffice and Octave.

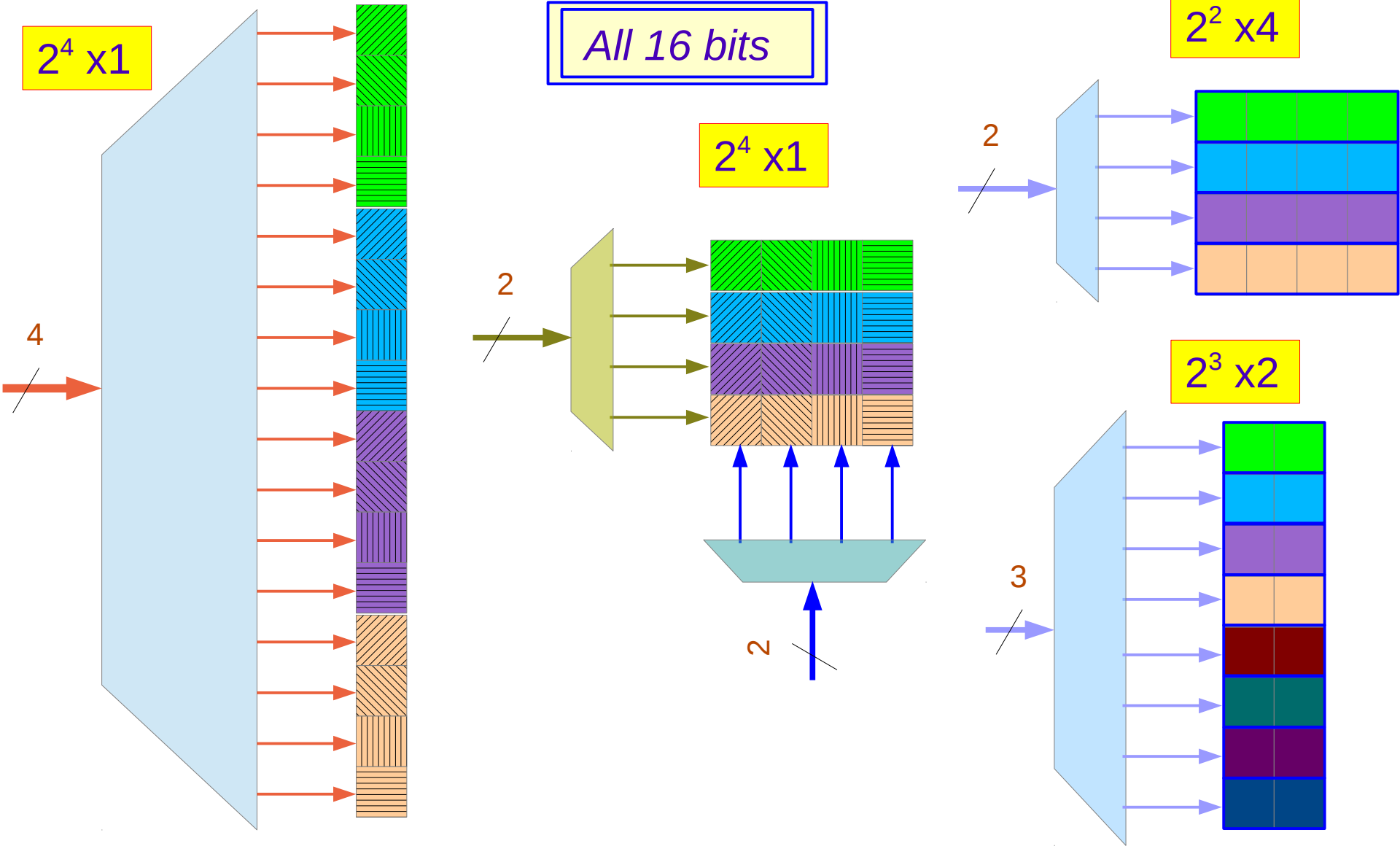
# IO Registers



# Address Decoding & IO Register

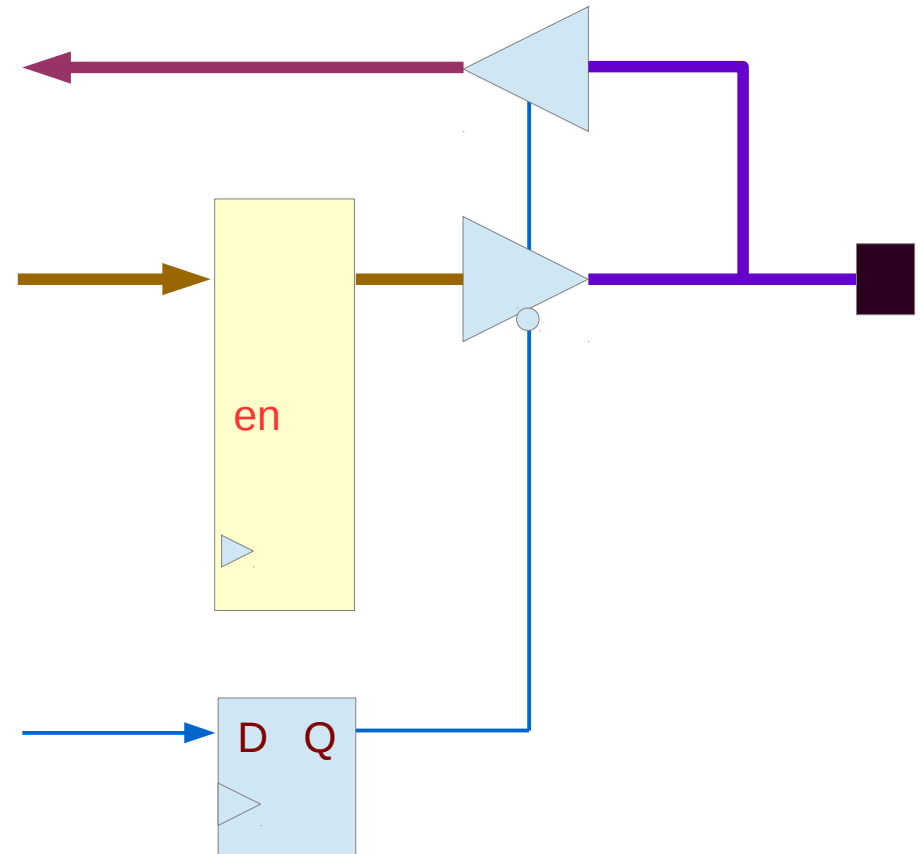


# Address Decoding & DRAM



# GPIO

- read from port address
- write to port address
- write to port direction register



## References

- [1] <http://en.wikipedia.org/>
- [2] D.M. Harris, S. L. Harris, "Digital Design and Computer Architecture"