

# Applications of Arrays (1A)

---

Copyright (c) 2024 - 2010 Young W. Lim.

Permission is granted to copy, distribute and/or modify this document under the terms of the GNU Free Documentation License, Version 1.2 or any later version published by the Free Software Foundation; with no Invariant Sections, no Front-Cover Texts, and no Back-Cover Texts. A copy of the license is included in the section entitled "GNU Free Documentation License".

Please send corrections (or suggestions) to [youngwlim@hotmail.com](mailto:youngwlim@hotmail.com).

This document was produced by using LibreOffice.

- 
- Viewing an **array** as a **pointer**
  - Viewing a **pointer** as an **array**

- Viewing an **array** as a **pointer**

`int a[4];`

an array **a**

generalization



`int (*a)`

view **a** as a pointer

virtual pointer

- no real memory location

- constraints :

`value(&a) = value(a)`

- Viewing a **pointer** as an **array**

`int (*a);`

a pointer **a**

a specific instance



`int a[N]`

view **a** as an array

**N** is not fixed

`sizeof(a)` is

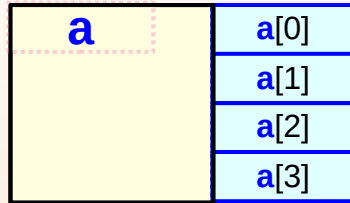
not the size of the array

but of a pointer variable

# Array **a** and pointer **a**

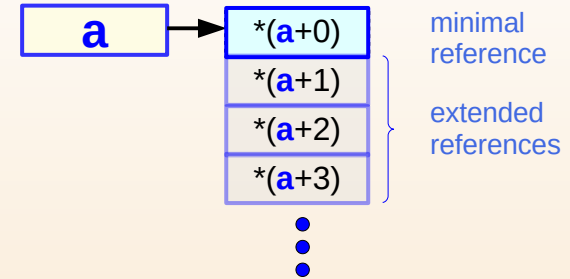
`int a[4];`

an array **a**



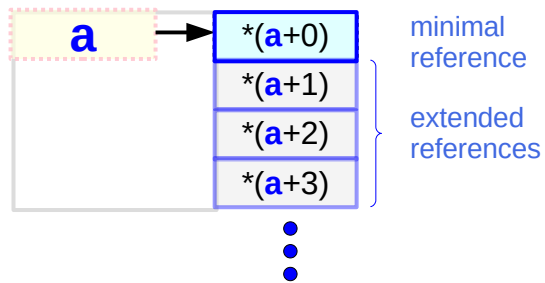
`int (*a);`

a pointer **a**



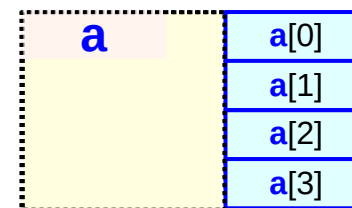
`int (*a)`

**a** as a pointer



`int a[N]`

**a** as an array



# Array **a** and pointer **a**

`int a[4];` an array **a**

- `type(a)` = `int [4]`
- `sizeof(a)` = an array size (16 bytes)
- `value(&a)` = `value(a)`
- fixed number of elements

`int (*a)` **a** as a pointer

**a** is not a real pointer

- `sizeof(a)` = an array size
- `value(&a)` = `value(a)`

`int (*a);` a pointer **a**

- `type(a)` = `int (*)`
- `sizeof(a)` = a pointer size (4 bytes)
- `value(&a)`  $\neq$  `value(a)`
- variable number of elements

`int a[N]` **a** as an array

**a** is not a real array

- `sizeof(a)`  $\neq$  an array size  
= a pointer size
- `value(&a)`  $\neq$  `value(a)`  
= assigned address

# Relationship between array and array pointer types

`int b[4][2];` declare a **2-d** array **b**

↓ generalization

`int (*b)[2]` **b** as a **1-d** array pointer

`int a[4];` declare a **1-d** array **a**

↓ generalization

`int (*a)` **a** as a **0-d** array pointer

`int (*b)[2];` declare a **1-d** array pointer **b**

↓ a specific instance

`int b[N][2]` **b** as a **2-d** array

`int (*a);` declare a **0-d** array pointer **a**

↓ a specific instance

`int a[N]` **a** as a **1-d** array

# Array **b** and array pointer **b**

`int b[4][2];`      2-d array **b**

- `type(b)` = `int [4]`
- `sizeof(b)` = an array size (32 bytes)
- `value(&b)` = `value(b)`
- fixed number of elements

`int (*) [2]`      **b** as a 1-d array pointer

**b** is not a real pointer

- `sizeof(b)` = an array size
- `value(&b)` = `value(b)`

`int (*b) [2];`      1-d array pointer **b**

- `type(b)` = `int (*)`
- `sizeof(b)` = a pointer size (4 bytes)
- `value(&b)` ≠ `value(b)`
- variable number of elements

`int [N][2]`      **b** as a 2-d array

**b** is not a real array

- `sizeof(b)` ≠ an array size  
= a pointer size
- `value(&b)` ≠ `value(b)`  
= assigned address



# Array **b** and array pointer **b**

`int b[4][2];`

2-d array **b**

<b>b</b>	b[0]	b[0][0]
		b[0][1]
	b[1]	b[1][0]
		b[1][1]
	b[2]	b[2][0]
		b[2][1]
	b[3]	b[3][0]
		b[3][1]

`int (*) [2]`

**b** as a 1-d array pointer

<b>b</b>	*(b+0)	(*(b+0))[0]
		(*(b+0))[1]
	*(b+1)	(*(b+1))[0]
		(*(b+1))[1]
	*(b+2)	(*(b+2))[0]
		(*(b+2))[1]
	*(b+3)	(*(b+3))[0]
		(*(b+3))[1]

minimal reference

extended references

virtual pointer  
- no real memory location  
- constraints :  
`&b = b`

`int (*b) [2];`

1-d array pointer **b**

<b>b</b>	*(b+0)	(*(b+0))[0]
		(*(b+0))[1]
	*(b+1)	(*(b+1))[0]
		(*(b+1))[1]
	*(b+2)	(*(b+2))[0]
		(*(b+2))[1]
	*(b+3)	(*(b+3))[0]
		(*(b+3))[1]

minimal reference

extended references

`int [N][2]`

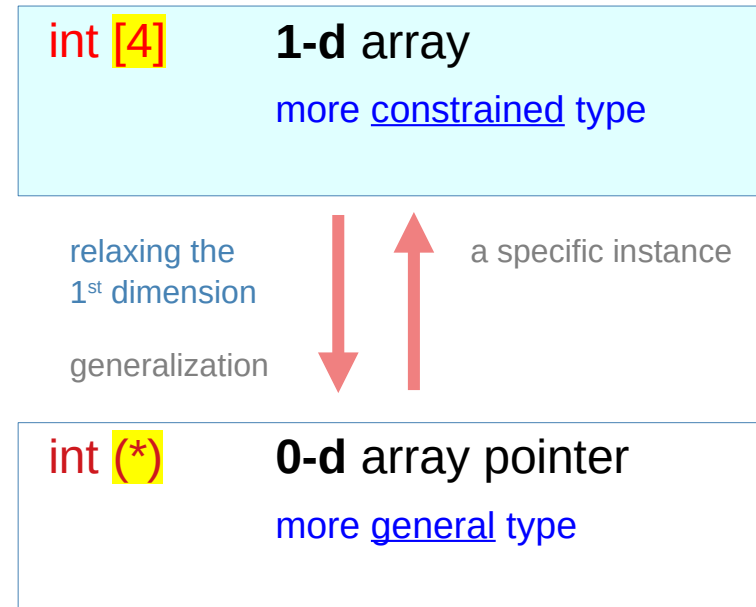
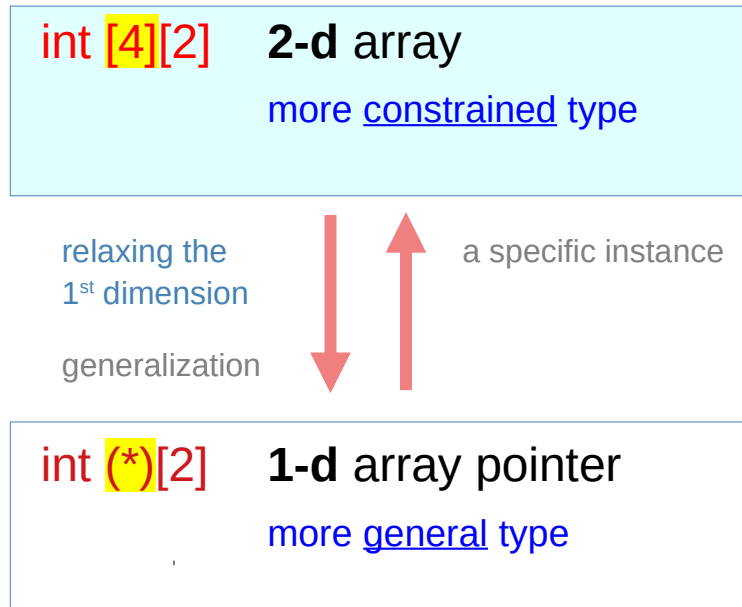
**b** as a 2-d array

<b>b</b>	b[0]	b[0][0]
		b[0][1]
	b[1]	b[1][0]
		b[1][1]
	b[2]	b[2][0]
		b[2][1]
	b[3]	b[3][0]
		b[3][1]

**N** is not fixed to 4

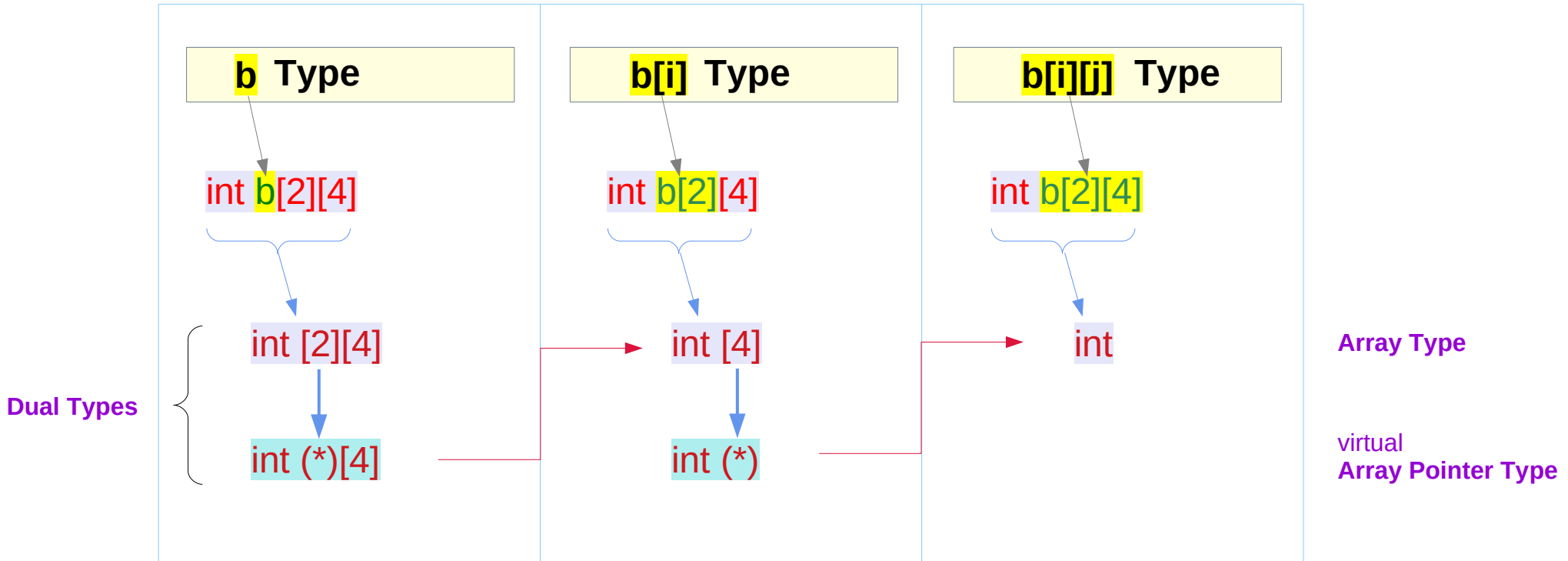
`sizeof(b)` is not the size of the array but the size of a pointer variable

# Dual type - relaxing the 1<sup>st</sup> dimension of an array



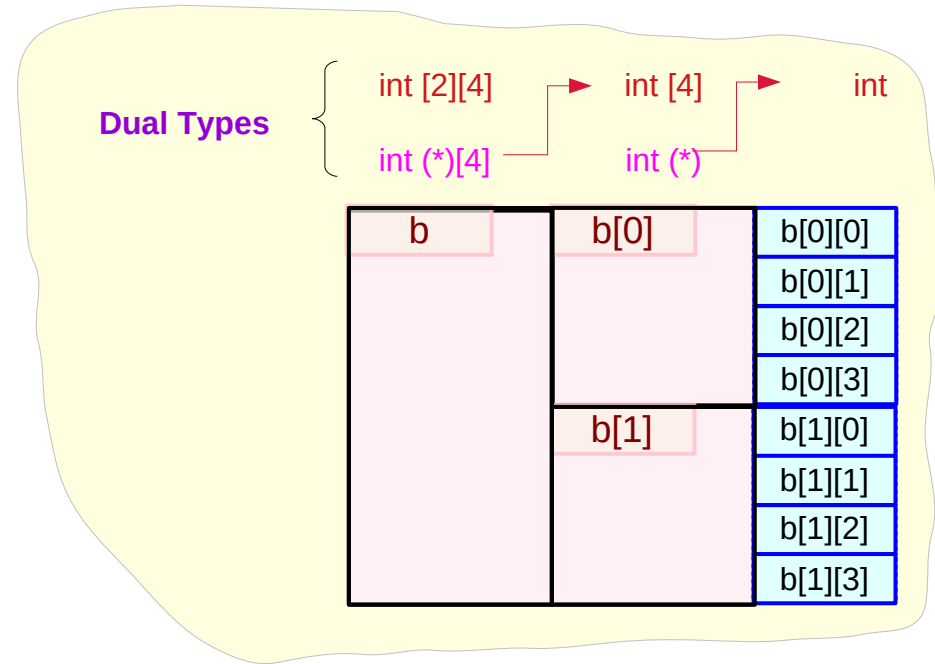
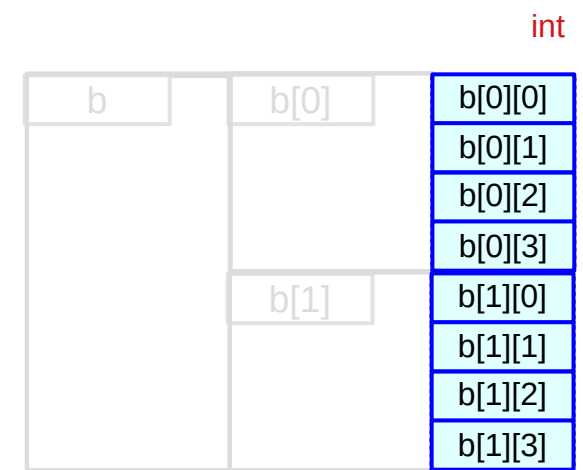
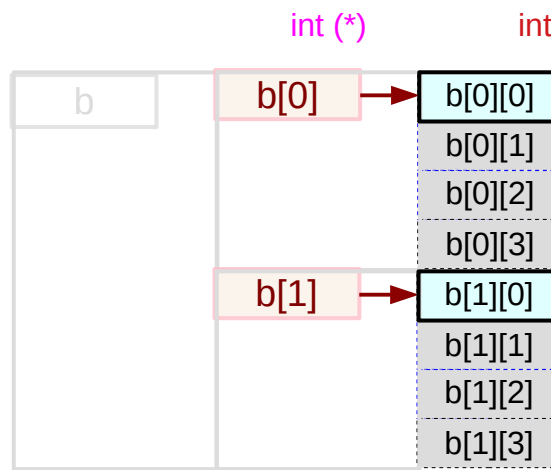
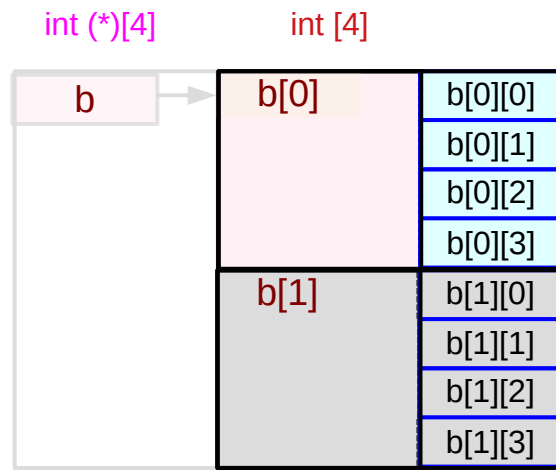
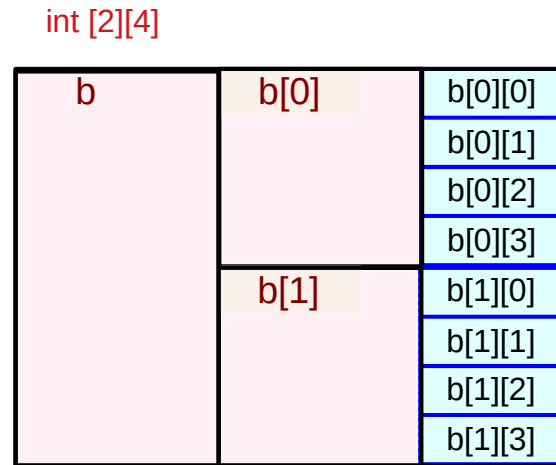
# Subarray types in a 2-d array

`int b[2][4];` 2-d array `b`



# Dual types in a 2-d array

`int b[2][4];` 2-d array **b**



# Subarray type examples

```
int a[4];
```

			relaxed type	virtual
a	int [4]	<b>1-d</b> array type	int (*)	<b>0-d</b> array pointer type
a[i]	int	<b>0-d</b> array type		

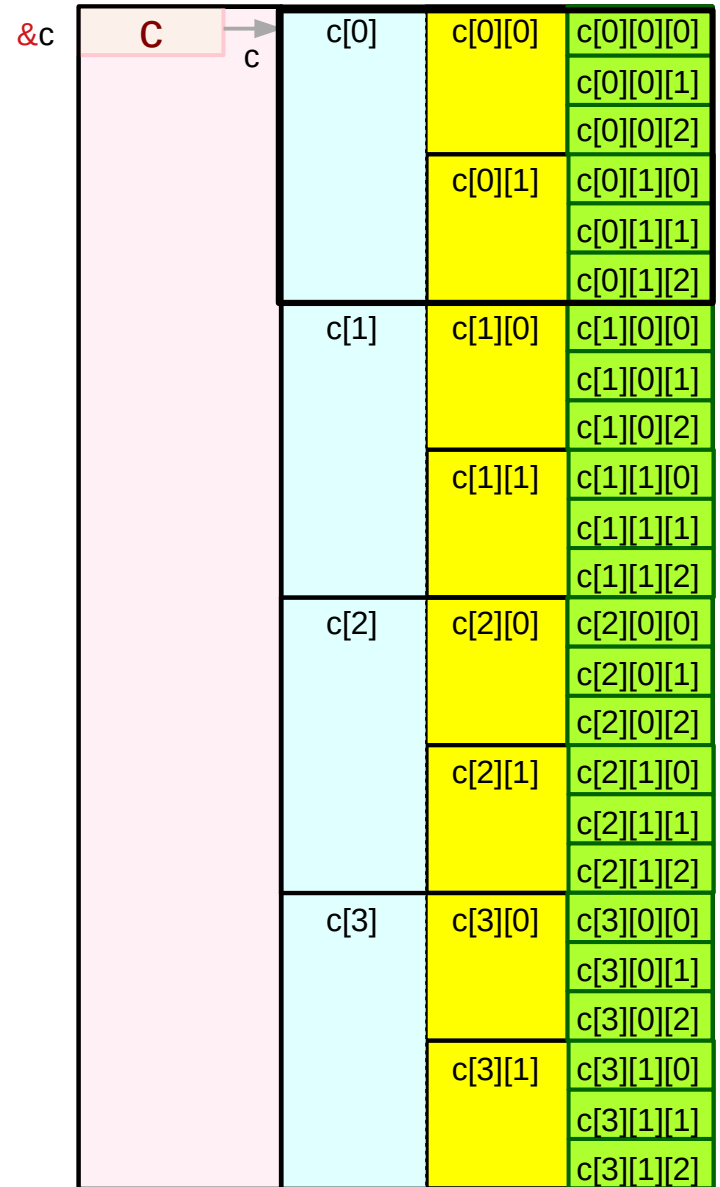
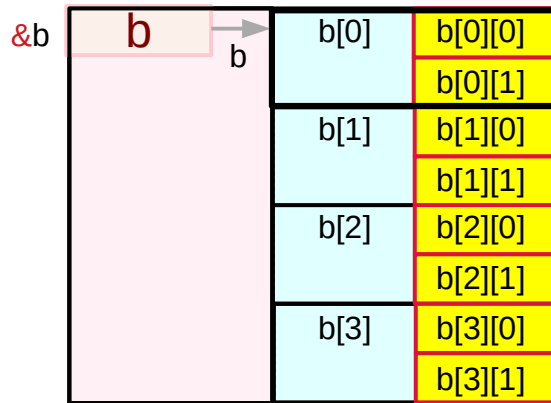
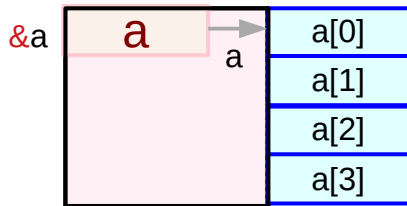
```
int b[2][4];
```

			relaxed type	virtual
b	int [2][4]	<b>2-d</b> array type	int (*)[4]	<b>1-d</b> array pointer type
b[i]	int [4]	<b>1-d</b> array type	int (*)	<b>0-d</b> array pointer type
b[i][j]	int	<b>0-d</b> array type		

```
int c[4][2][3];
```

			relaxed type	virtual
c	int [4][2][3]	<b>3-d</b> array type	int (*)[2][3]	<b>2-d</b> array pointer type
c[i]	int [4][2]	<b>2-d</b> array type	int (*)[2]	<b>1-d</b> array pointer type
c[i][j]	int [4]	<b>1-d</b> array type	int (*)	<b>0-d</b> array pointer type
c[i][j][k]	int	<b>0-d</b> array type		

# Types of **a**, **b**, **c** arrays



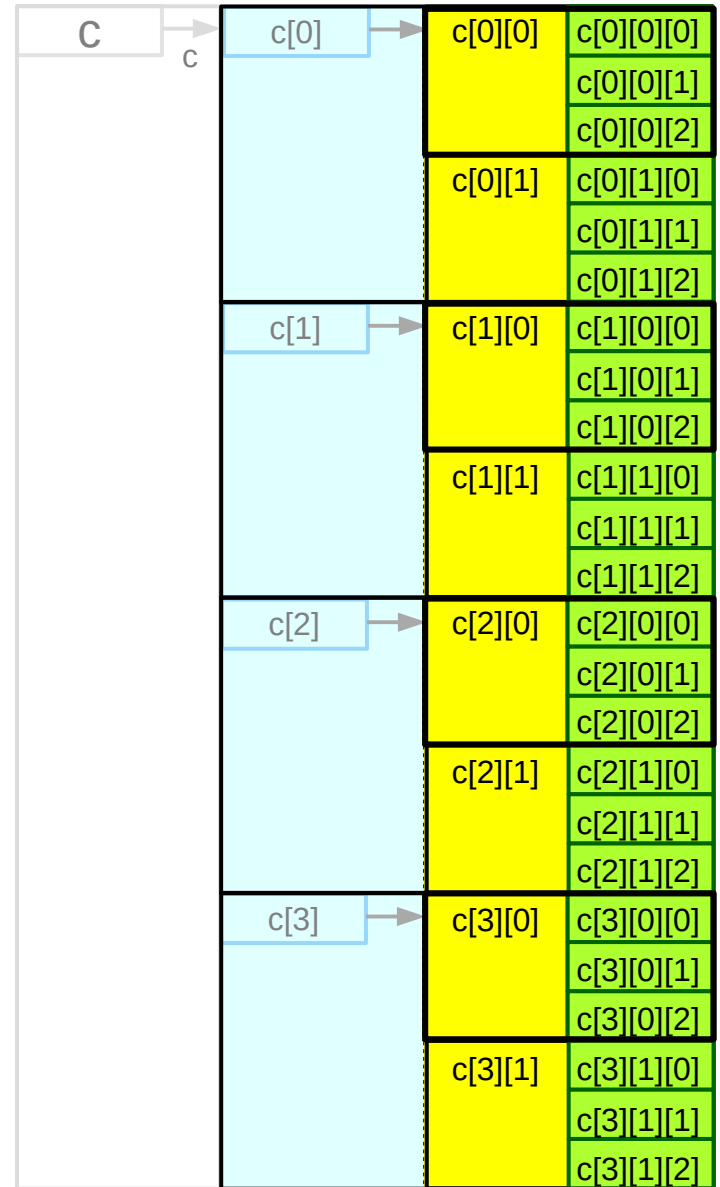
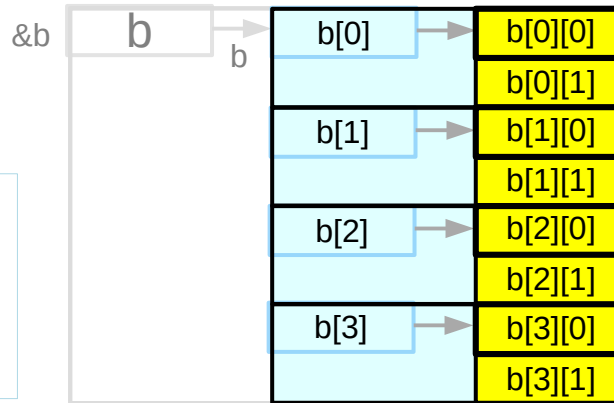
```
int a[4];
int b[2][4];
int c[4][2][3];
```

## dual types

int [4]	<b>1-d array a</b>	<b>a[i]</b>
int (*)	<b>0-d array pointer a (virtual)</b>	<b>*(a+i)</b>
int [4][2];	<b>2-d array b</b>	<b>b[i]</b>
int (*)[2];	<b>1-d array pointer b (virtual)</b>	<b>*(b+i)</b>
int [4][2][3];	<b>3-d array c</b>	<b>c[i]</b>
int (*)[2][3];	<b>2-d array pointer c (virtual)</b>	<b>*(c+i)</b>

# Types of $b[i]$ , $c[i]$ subarrays

```
int a[4];
int b[2][4];
int c[4][2][3];
```



## dual types

<code>int [2]</code>	<b>1-d array <math>b[i]</math></b>	<code><math>b[i][j]</math></code>
<code>int (*)</code>	<b>0-d array pointer <math>b[i]</math> (virtual)</b>	<code><math>*(b[i]+j)</math></code>
<code>int [2][3];</code>	<b>2-d array <math>c[i]</math></b>	<code><math>c[i][j]</math></code>
<code>int (*)[3];</code>	<b>1-d array pointer <math>c[i]</math> (virtual)</b>	<code><math>*(c[i]+j)</math></code>

# Types of $c[i][j]$ subarrays

```
int a[4];  
int b[2][4];  
int c[4][2][3];
```

## dual types

int [3]	1-d array $c[i][j]$	$c[i][j][k]$
int (*)	0-d array pointer $c[i][j]$ (virtual)	$*(c[i][j]+k)$





# Types of a 4-d array and its subarrays

int **d**[4][2][3][4];

types

<b>d</b>	consider <b>d</b> [4][2][3][4] relax the 1 <sup>st</sup> dimension	→	int [4][2][3][4]	⇒	<b>4-d</b> array
		→	int (*)[2][3][4]	⇒	<b>3-d</b> array pointer (virtual)
<b>d[i]</b>	consider <b>d</b> [i][2][3][4] relax the 1 <sup>st</sup> dimension	→	int [2][3][4]	⇒	<b>3-d</b> array
		→	int (*)[3][4]	⇒	<b>2-d</b> array pointer (virtual)
<b>d[i][j]</b>	consider <b>d</b> [i][j][3][4] relax the 1 <sup>st</sup> dimension	→	int [3][4]	⇒	<b>2-d</b> array
		→	int (*)[4]	⇒	<b>1-d</b> array pointer (virtual)
<b>d[i][j][k]</b>	consider <b>d</b> [i][j][k][4] relax the 1 <sup>st</sup> dimension	→	int [4]	⇒	<b>1-d</b> array
		→	int (*)	⇒	<b>0-d</b> array pointer (virtual)

i,j,k are specific index values

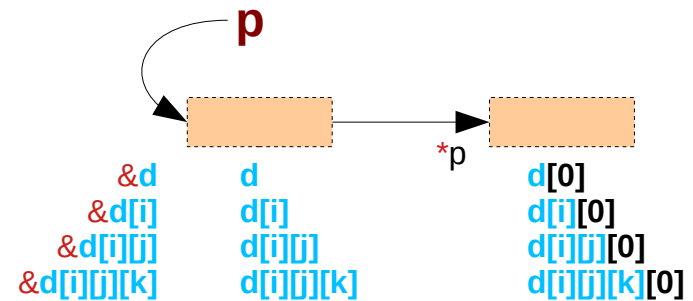
i=[0..3],

j=[0..1],

k=[0..2]

# Initializing $n$ -d array pointers with $n$ -d subarrays

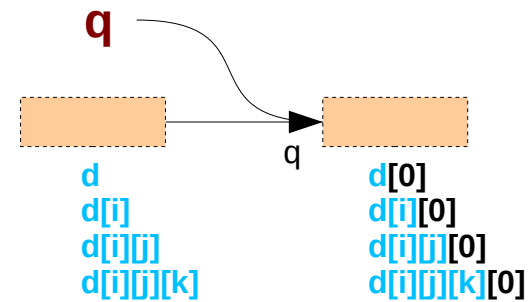
```
int d[4][2][3][4];
```



$d$	4-d array	$d[4][2][3][4]$	$p = \&d$	abstract data
$p$	4-d array pointer	$(*p)[4][2][3][4]$	$\text{int } (*p)[4][2][3][4] = \&d;$ $(*p)[i][j][k][l] \equiv d[i][j][k][l]$	
$d[i]$	3-d array	$d[i][2][3][4]$	$p = \&d[i]$	abstract data
$p$	3-d array pointer	$(*p)[2][3][4]$	$\text{int } (*p)[3][4] = \&d[i];$ $(*p)[j][k][l] \equiv d[i][j][k][l]$ given $i$	
$d[i][j]$	2-d array	$d[i][j][3][4]$	$p = \&d[i][j]$	abstract data
$p$	2-d array pointer	$(*p)[3][4]$	$\text{int } (*p)[4] = \&d[i][j];$ $(*p)[k][l] \equiv d[i][j][k][l]$ given $i, j$	
$d[i][j][k]$	1-d array	$d[i][j][k][4]$	$p = \&d[i][j][k]$	abstract data
$p$	1-d array pointer	$(*p)[4]$	$\text{int } (*p) = \&d[i][j][k];$ $(*p)[l] \equiv d[i][j][k][l]$ given $i, j, k$	

# Initializing $(n-1)$ -d array pointers with $n$ -d subarrays

```
int d[4][2][3][4];
```

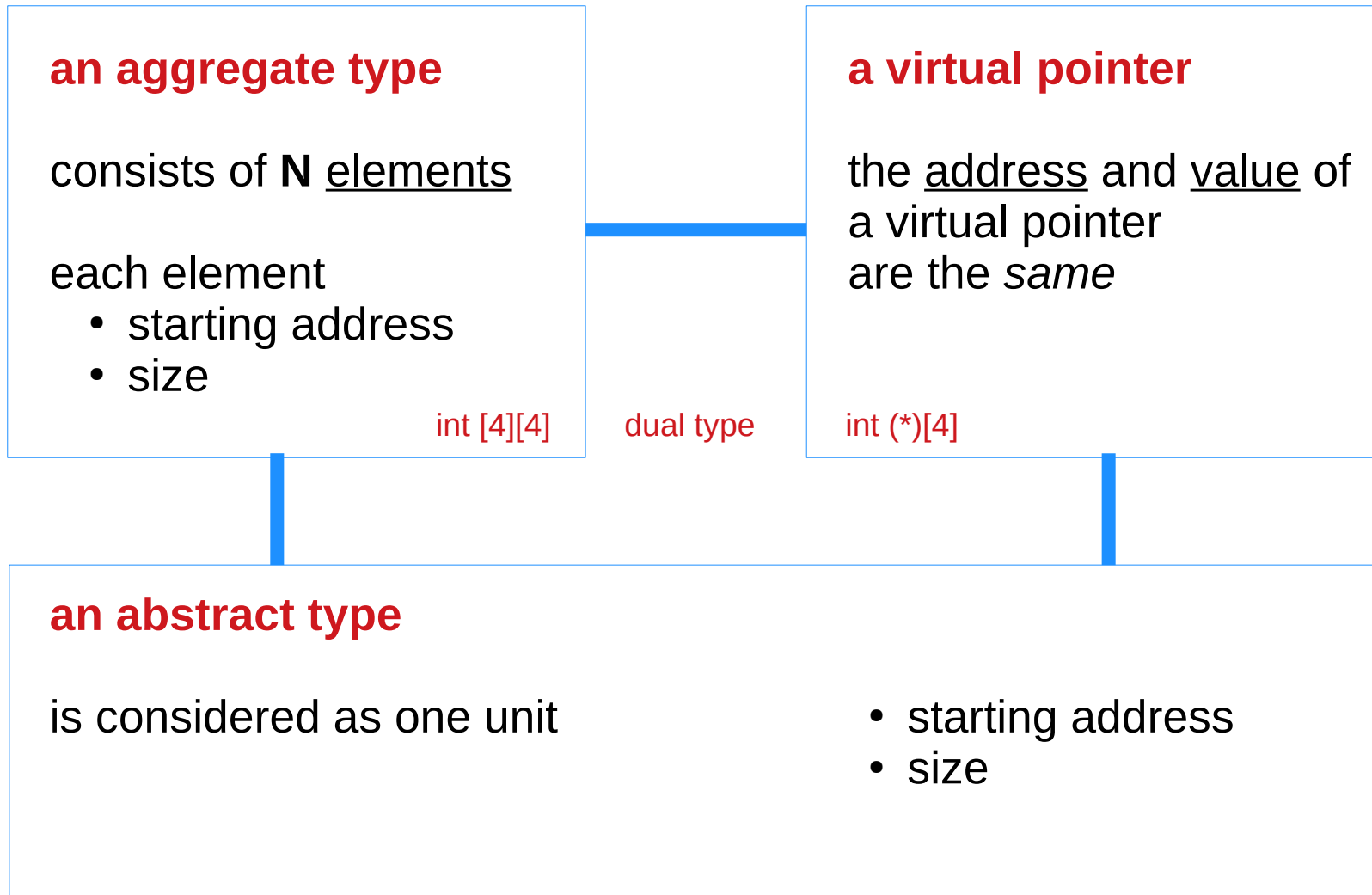


<b>d</b>	4-d array	<code>d[4][2][3][4]</code>	<code>q = d</code>	virtual pointer
<b>q</b>	3-d array pointer	<code>(*q)[2][3][4]</code>	<code>int (*q)[2][3][4] = d;</code> <code>q[i][j][k][l] ≡ d[i][j][k][l]</code>	
<b>d[i]</b>	3-d array	<code>d[i][2][3][4]</code>	<code>q = d[i]</code>	virtual pointer
<b>q</b>	2-d array pointer	<code>(*q)[3][4]</code>	<code>int (*q)[3][4] = d[i];</code> <code>q[j][k][l] ≡ d[i][j][k][l]</code> given i	
<b>d[i][j]</b>	2-d array	<code>d[i][j][3][4]</code>	<code>q = d[i][j]</code>	virtual pointer
<b>q</b>	1-d array pointer	<code>(*q)[4]</code>	<code>int (*q)[4] = d[i][j];</code> <code>q[k][l] ≡ d[i][j][k][l]</code> given i, j	
<b>d[i][j][k]</b>	1-d array	<code>d[i][j][k][4]</code>	<code>q = d[i][j][k]</code>	virtual pointer
<b>q</b>	0-d array pointer	<code>(*q)</code>	<code>int (*q) = d[i][j][k];</code> <code>q[l] ≡ d[i][j][k][l]</code> given i, j, k	

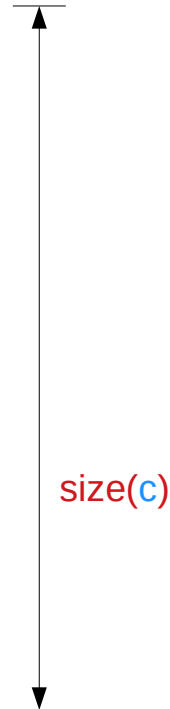
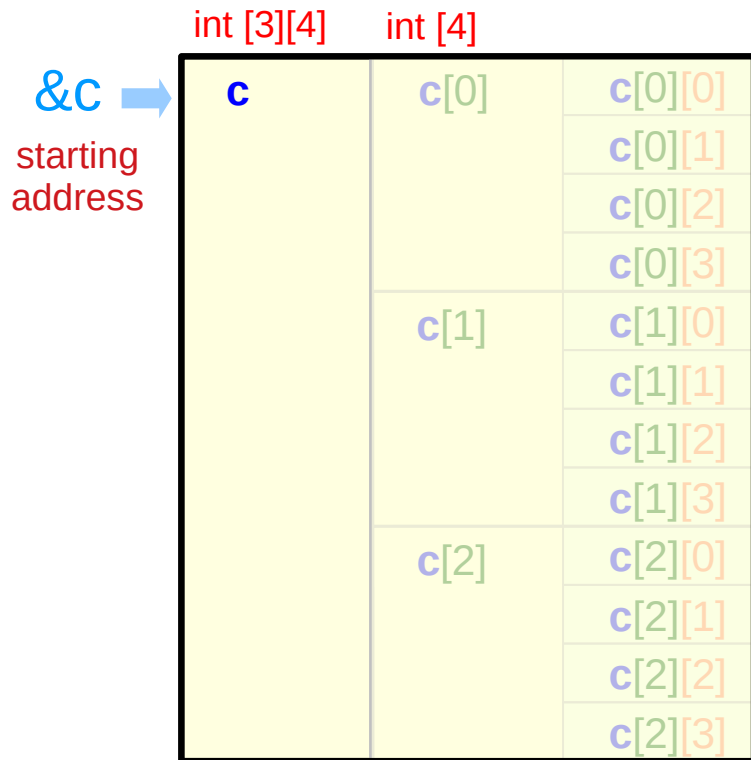
---

Aggregate Data Types  
Abstract Data Types  
Virtual Array Pointers

# Aggregate data type



# Abstract data **c**

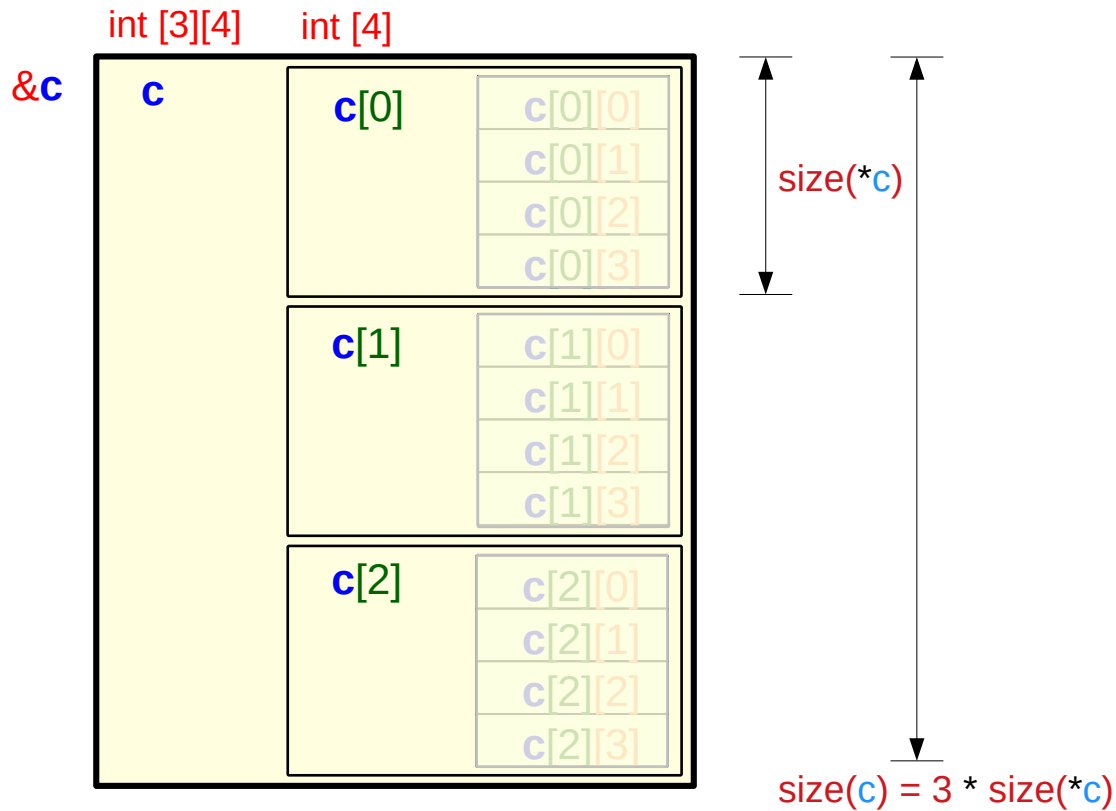


an abstract data

- start address
- size

**c**  
**&c**  
**sizeof(c)**

# Aggregate data **c**

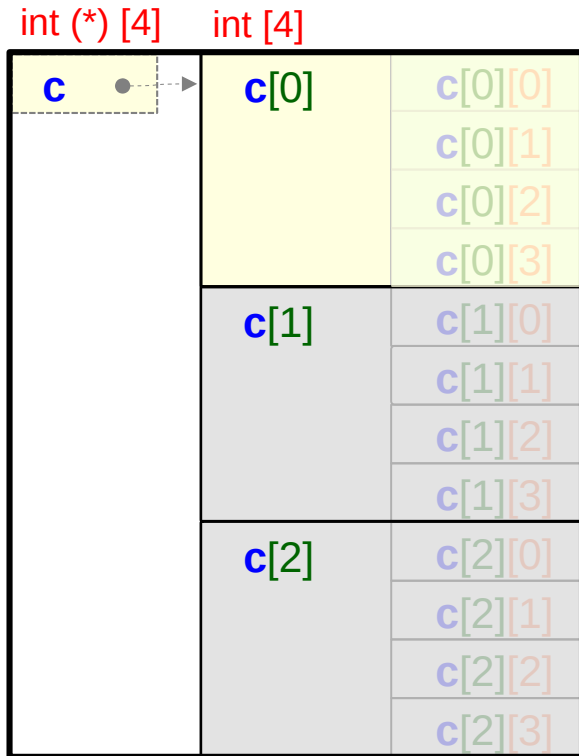


an aggregate type data **c**

- 1<sup>st</sup> element    **c[0]**
- 2<sup>nd</sup> element    **c[1]**
- 3<sup>rd</sup> element    **c[2]**

# Virtual pointer **c**

$\&c = c = \&c[0]$



$\text{size}(*c)$

a virtual pointer **c**  
- pointer address  $\&c$   
- pointer value  $c = \&c[0]$   
  
with the constraint  
 $c = \&c$

an abstract data  $c[0] = *c$   
- start address  $\&c[0] = c$   
- size  $\text{sizeof}(c[0])$

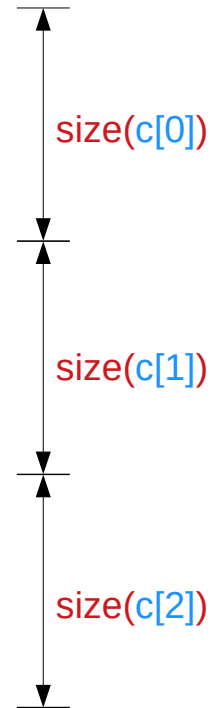
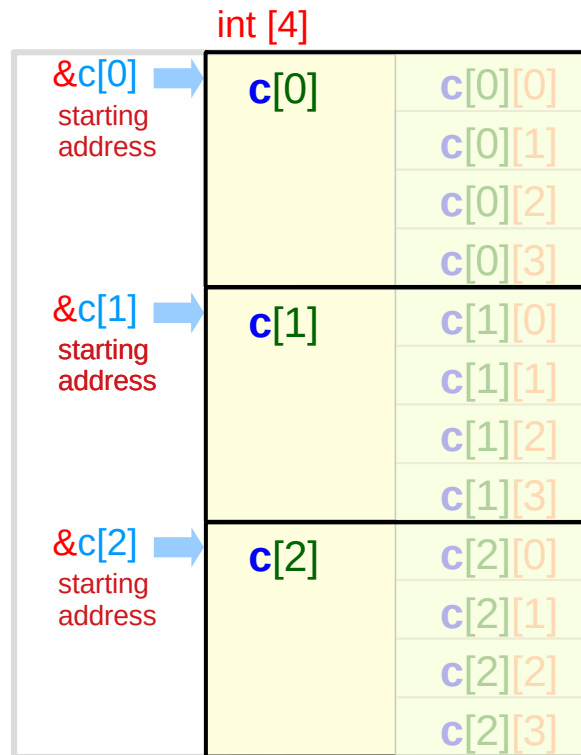
virtual pointer **c** points  
to abstract data **c[0]**

## virtual pointers

- no physical memory locations are allocated
- address and data have the same value

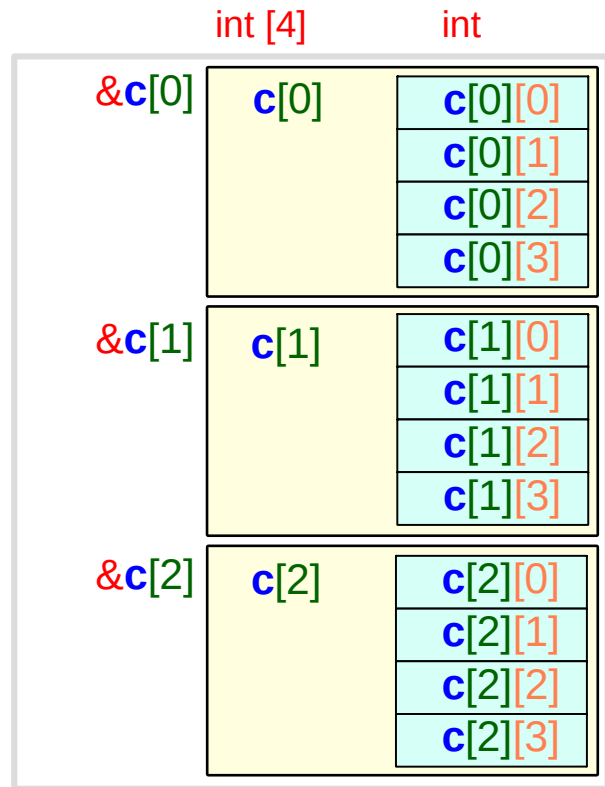


# Abstract data $c[i]$



- an abstract data
  - start address  $c[0]$
  - size  $\&c[0]$
  - $sizeof(c[0])$
- an abstract data
  - start address  $c[1]$
  - size  $\&c[1]$
  - $sizeof(c[1])$
- an abstract data
  - start address  $c[2]$
  - size  $\&c[2]$
  - $sizeof(c[2])$

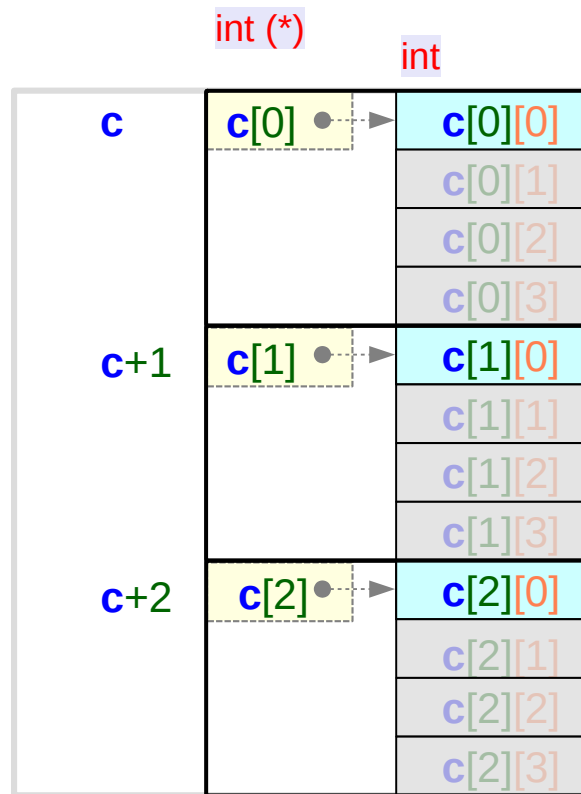
# Aggregate data $c[i]$



an aggregate type data  $c[i]$

- 1<sup>st</sup> element  $c[i][0]$
- 2<sup>nd</sup> element  $c[i][1]$
- 3<sup>rd</sup> element  $c[i][2]$
- 4<sup>th</sup> element  $c[i][3]$

# Virtual pointer $c[i]$



a virtual pointer  $c[i]$

- pointer address  $\&c[i]$
- pointer value  $c+i = \&c[i]$

with the constraint

$$c[i] = \&c[i]$$

an primitive data  $c[i][0] = *c[i]$

- start address  $\&c[i][0] = c[i]$
- size  $\text{sizeof}(c[i][0])$

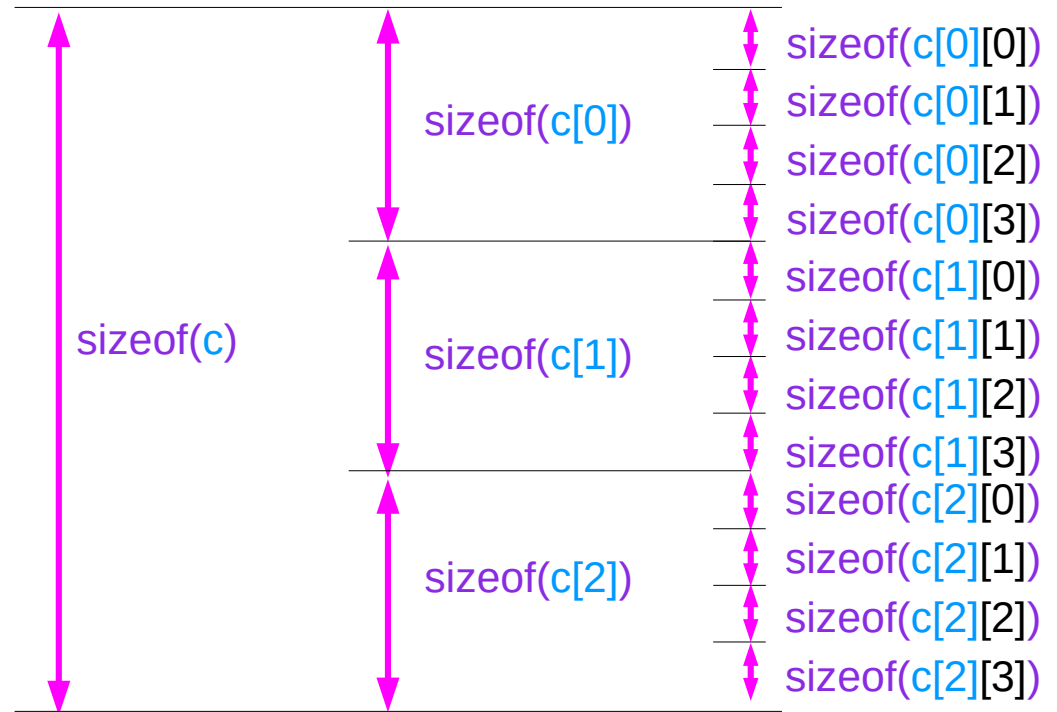
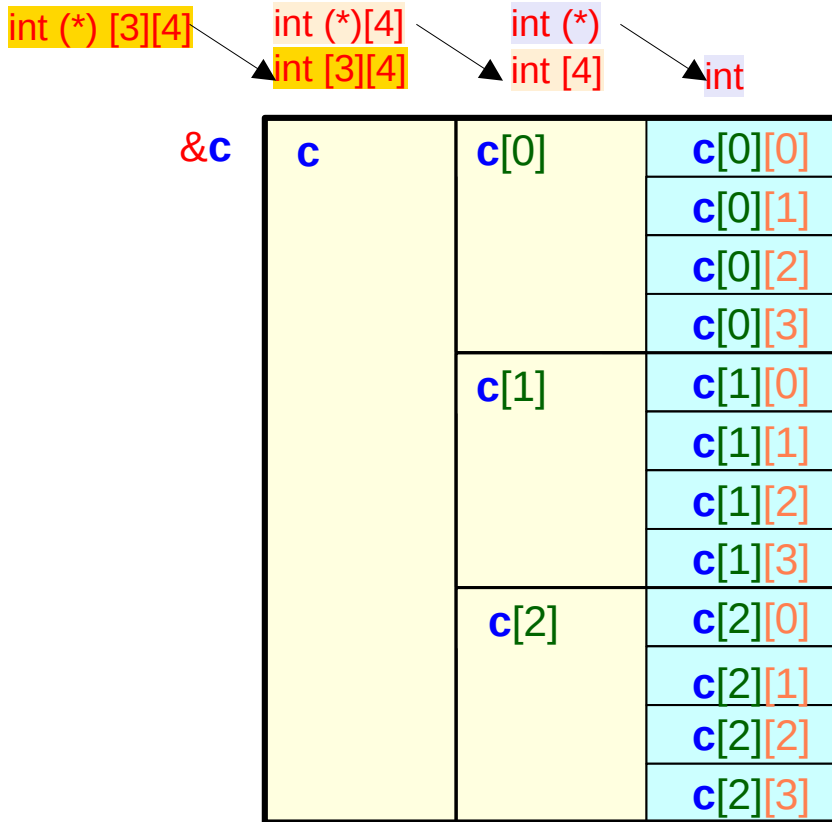
virtual pointer  $c[i]$   
points to primitive data  $c[i][0]$

virtual pointers

- no physical memory locations are allocated
- address and data have the same value

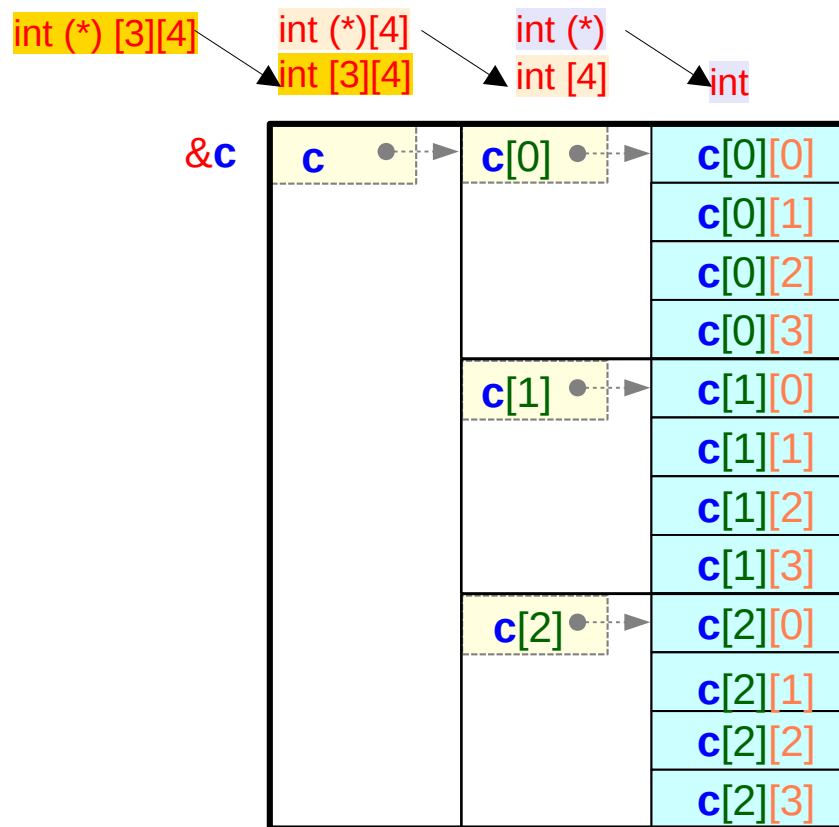
# A 2-d array and its 1-d sub-arrays – a size view

```
int c[3][4];
```



# A 2-d array and its 1-d sub-arrays – a virtual pointer view

```
int c[3][4];
```



`value( c ) = value( c[0] ) = value(&c[0][0])`  
`value(&c) = value(&c[0]) = value(&c[0][0])`

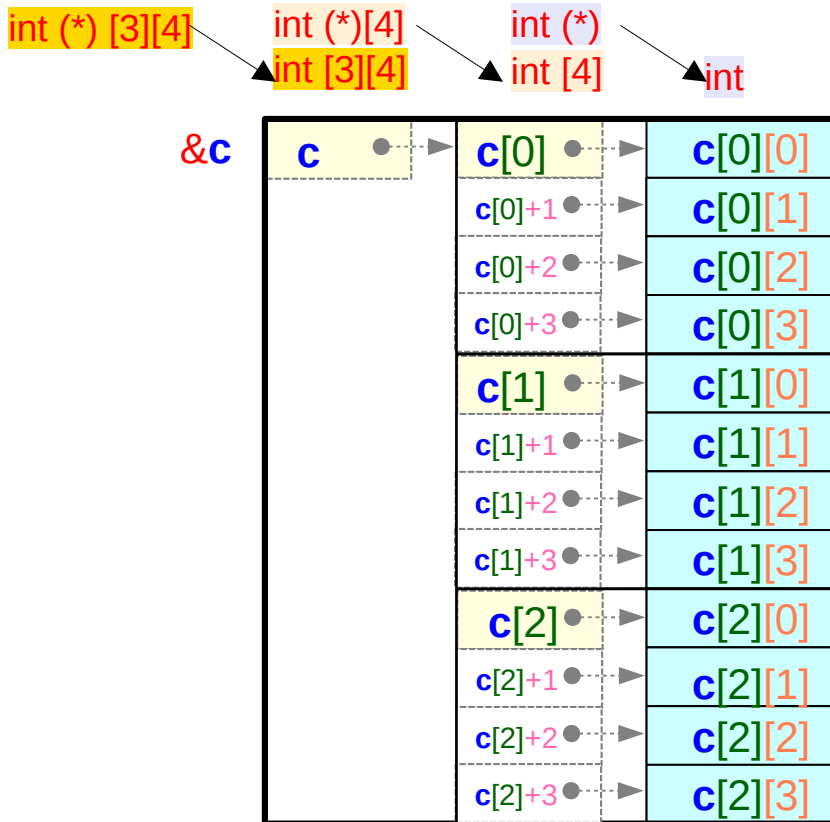
`value( c[1] ) = value(&c[1][0])`  
`value(&c[1]) = value(&c[1][0])`

`value( c[2] ) = value(&c[2][0])`  
`value(&c[2]) = value(&c[2][0])`

`address(c) = address(c[0]) = address(c[0][0])`  
`address(c[1]) = address(c[1][0])`  
`address(c[2]) = address(c[2][0])`

# A 2-d array and its 1-d sub-arrays – size relation

```
int c[3][4];
```



`sizeof(c)` = `sizeof(c[0])` \* 3 ... leading element  
`sizeof(c+1)` = pointer size (4/8 bytes)  
`sizeof(c+2)` = pointer size (4/8 bytes)

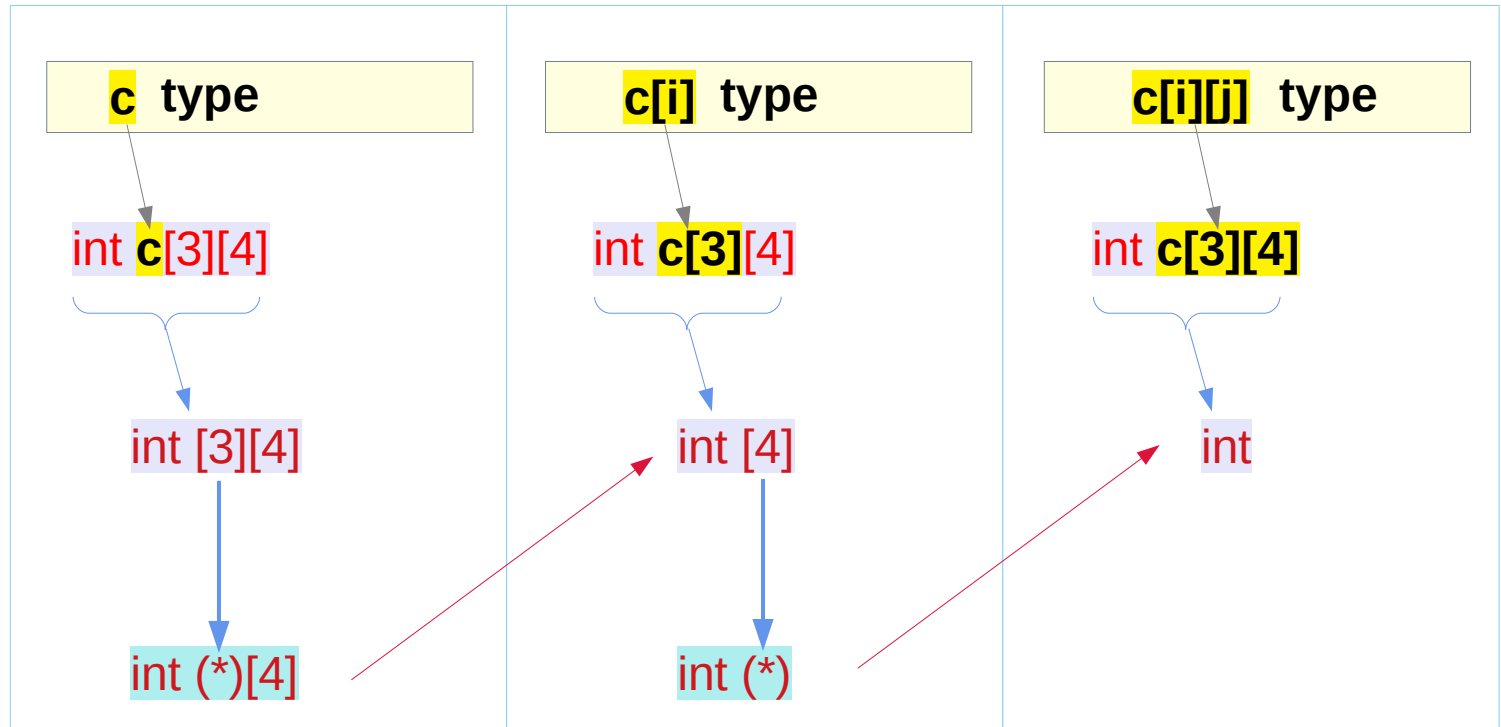
`sizeof(c[0])` = `sizeof(c[0][0])` \* 4 ... leading element  
`sizeof(c[0]+1)` = pointer size (4/8 bytes)  
`sizeof(c[0]+2)` = pointer size (4/8 bytes)  
`sizeof(c[0]+3)` = pointer size (4/8 bytes)

`sizeof(c[1])` = `sizeof(c[1][0])` \* 4 ... leading element  
`sizeof(c[1]+1)` = pointer size (4/8 bytes)  
`sizeof(c[1]+2)` = pointer size (4/8 bytes)  
`sizeof(c[1]+3)` = pointer size (4/8 bytes)

`sizeof(c[2])` = `sizeof(c[2][0])` \* 4 ... leading element  
`sizeof(c[2]+1)` = pointer size (4/8 bytes)  
`sizeof(c[2]+2)` = pointer size (4/8 bytes)  
`sizeof(c[2]+3)` = pointer size (4/8 bytes)

# Sub-array types in a 2-d array

`int c[3][4];` 2-d array `c`



Dual Types

- 
- **Identifying nested arrays  
in a 2-d array declaration**



# Nested arrays in a 2-d array declaration

int c[3] [4] ;

int c[3] [4] ;

**c** : a 3 element array  
**c[i]** : each element

int c[3] [4] ;

**c[i]**'s type 1 : int [4]  
an array of 4 integers

int c[3] [4] ;

relaxed dimension



**c[i]**'s type 2: int (\*)  
a pointer to an integer

# Nested arrays

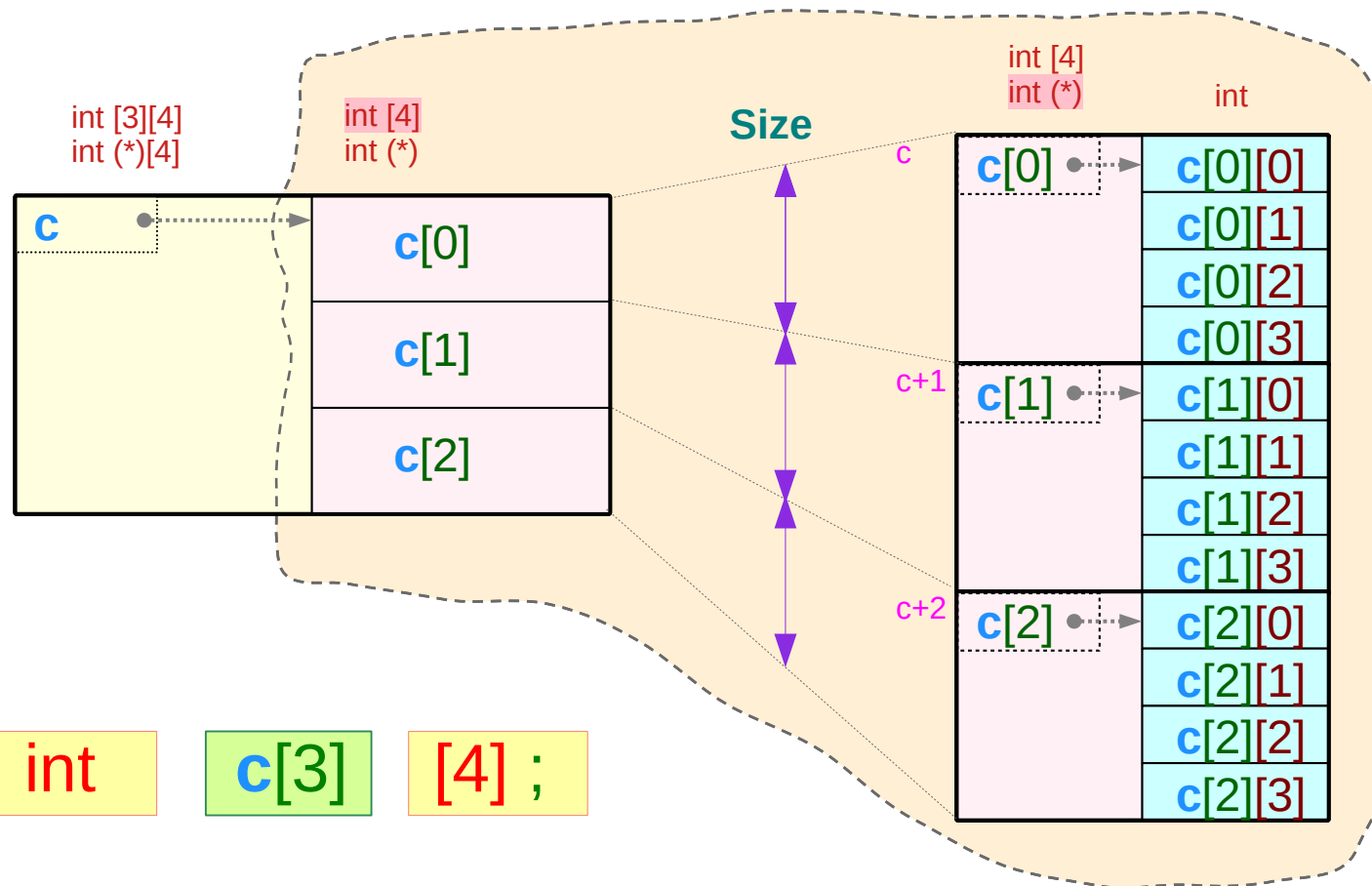
`c[3]`

`c` : a 3 element array  
`c[i]` : each element

`int`

`[4];`

`c[i]`'s type 1 : `int [4]`  
`c[i]`'s type 2 : `int (*)`



Address

`&c[0][0]` → `c[0]` → `c`

`&c[1][0]` → `c[1]`

`&c[2][0]` → `c[2]`

# c : 3-element array

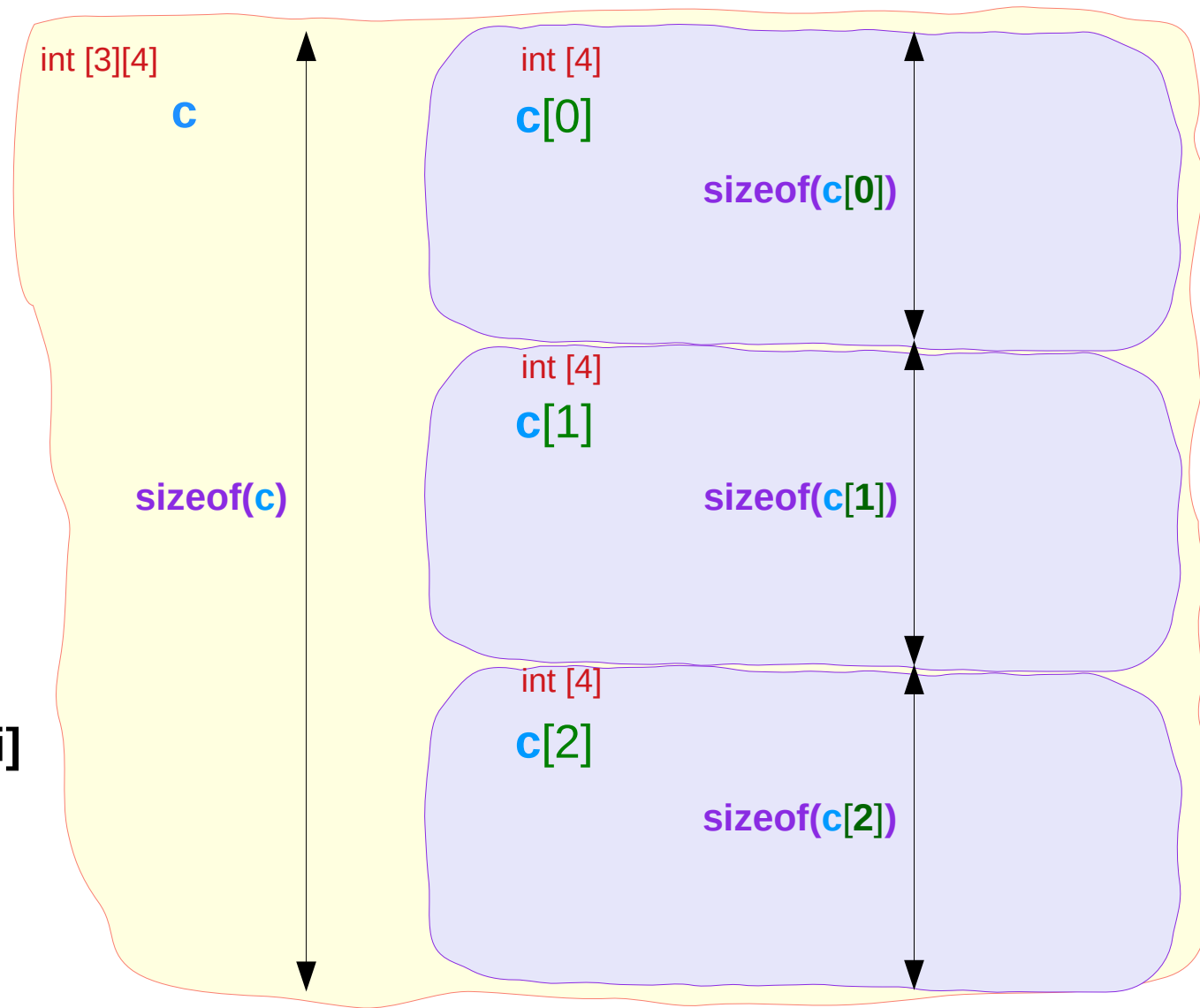
<b>c</b>	2-d array	int [3][4]
<b>c[i]</b>	1-d array	int [4]

```
int c [3] [4] ;
```

## 3-element array c

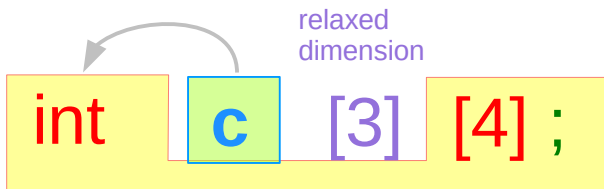
abstract data element **c[i]**

each element **c[i]** has the 1-d array type **int [4]**



# c : pointer to a 4-element array

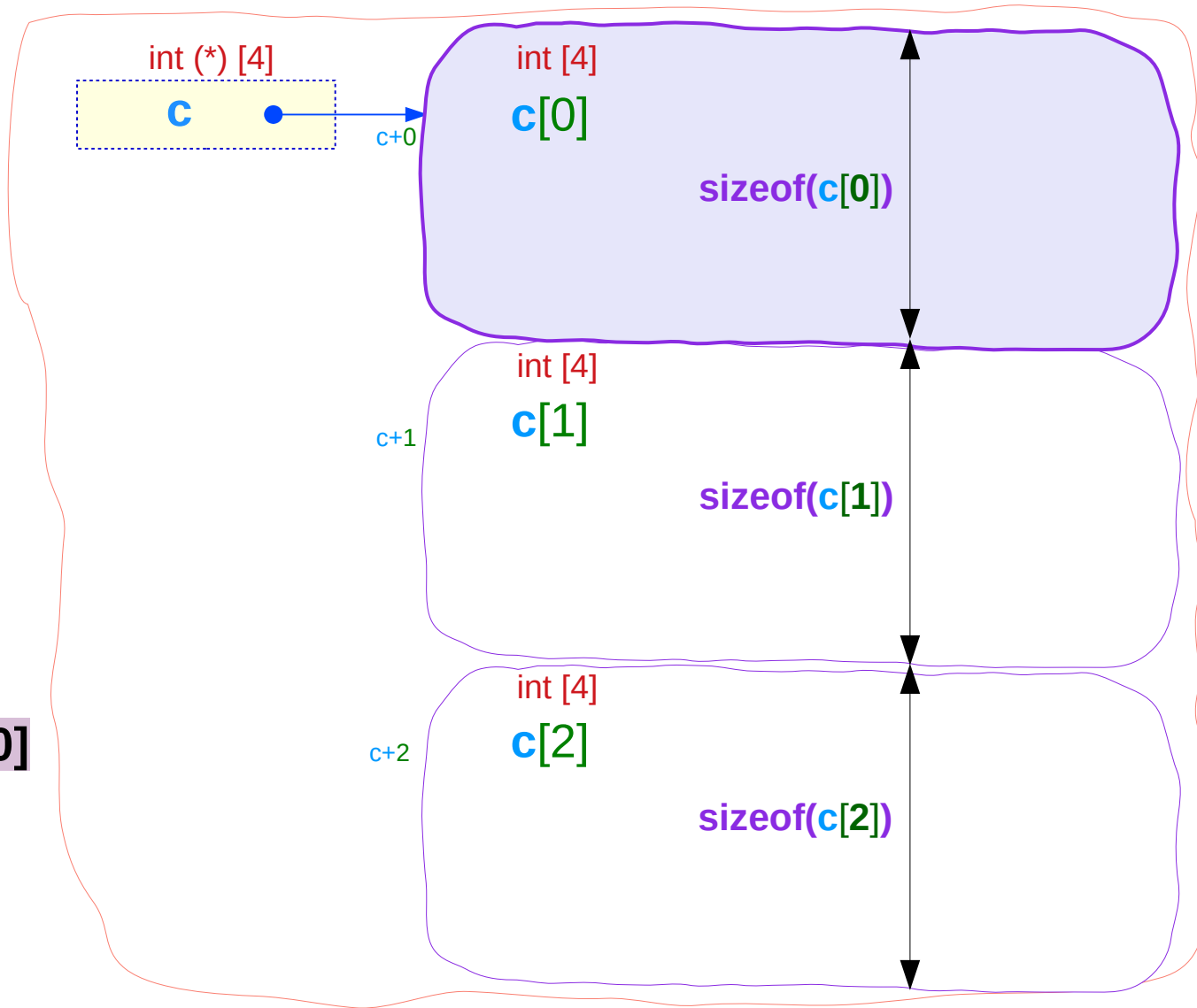
<b>c</b>	1-d array pointer	int (*)[4]
<b>c[i]</b>	1-d array	int [4]



## pointer c

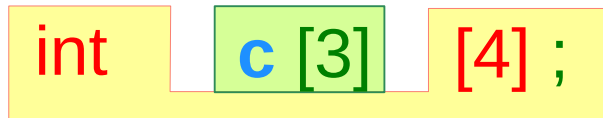
abstract data element **c[0]**

each element **c[i]** has the 1-d array type **int [4]**



# c[i] : 4-element array

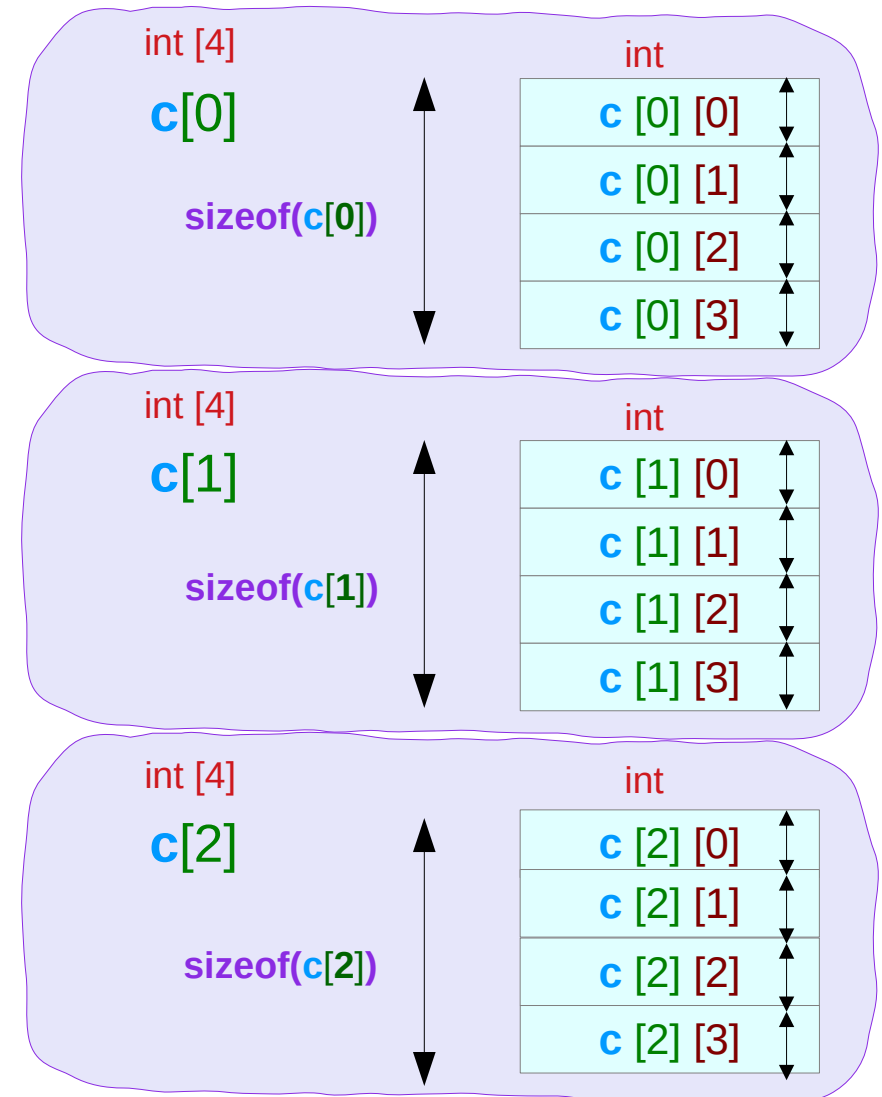
c[i]	1-d array	int [4]
c[i][j]	0-d array	int



## 4-element array c[i]

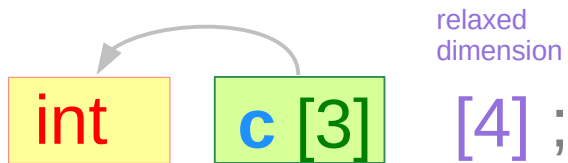
primitive data element c[i][j]

each element c[i][j] has the primitive type int



# c[i] : pointer to a primitive data

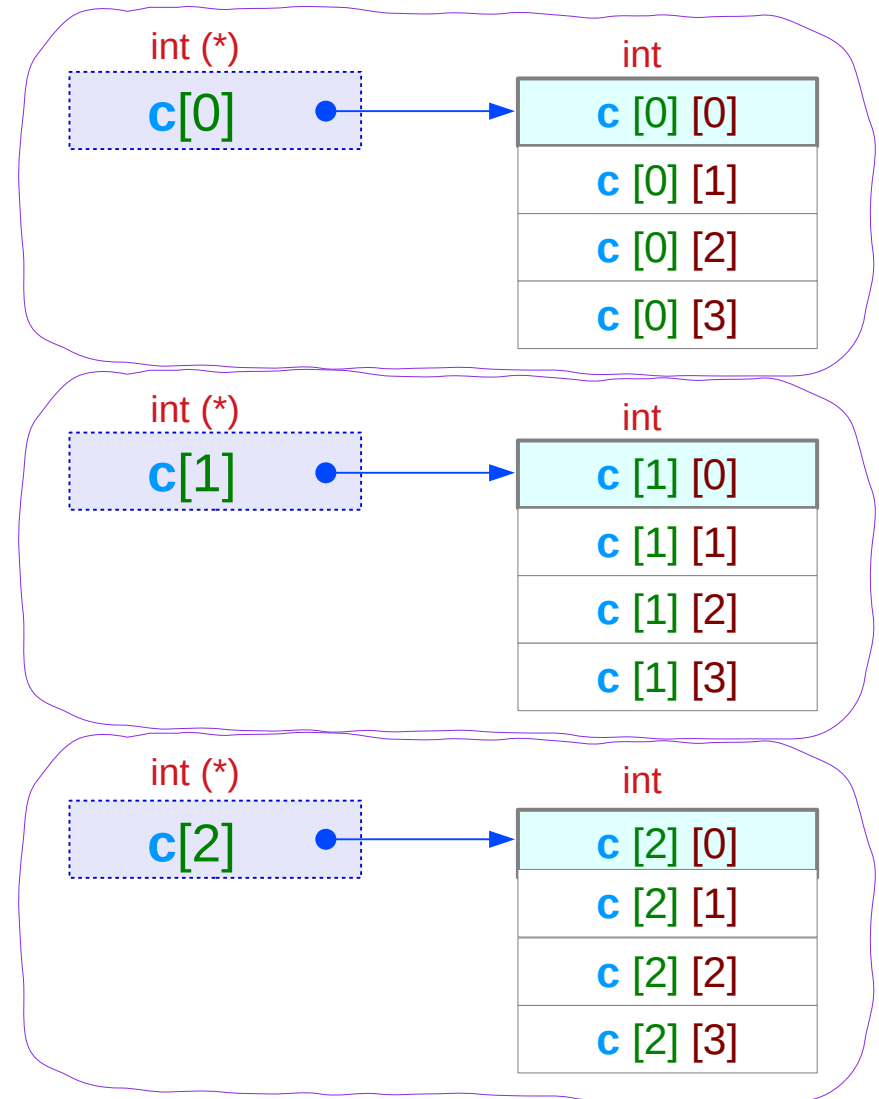
c[i]	0-d array pointer	int (*)
c[i][j]	0-d array	int



## pointer c[i]

primitive data element c[i][0]

each element c[i][j] has the primitive type int

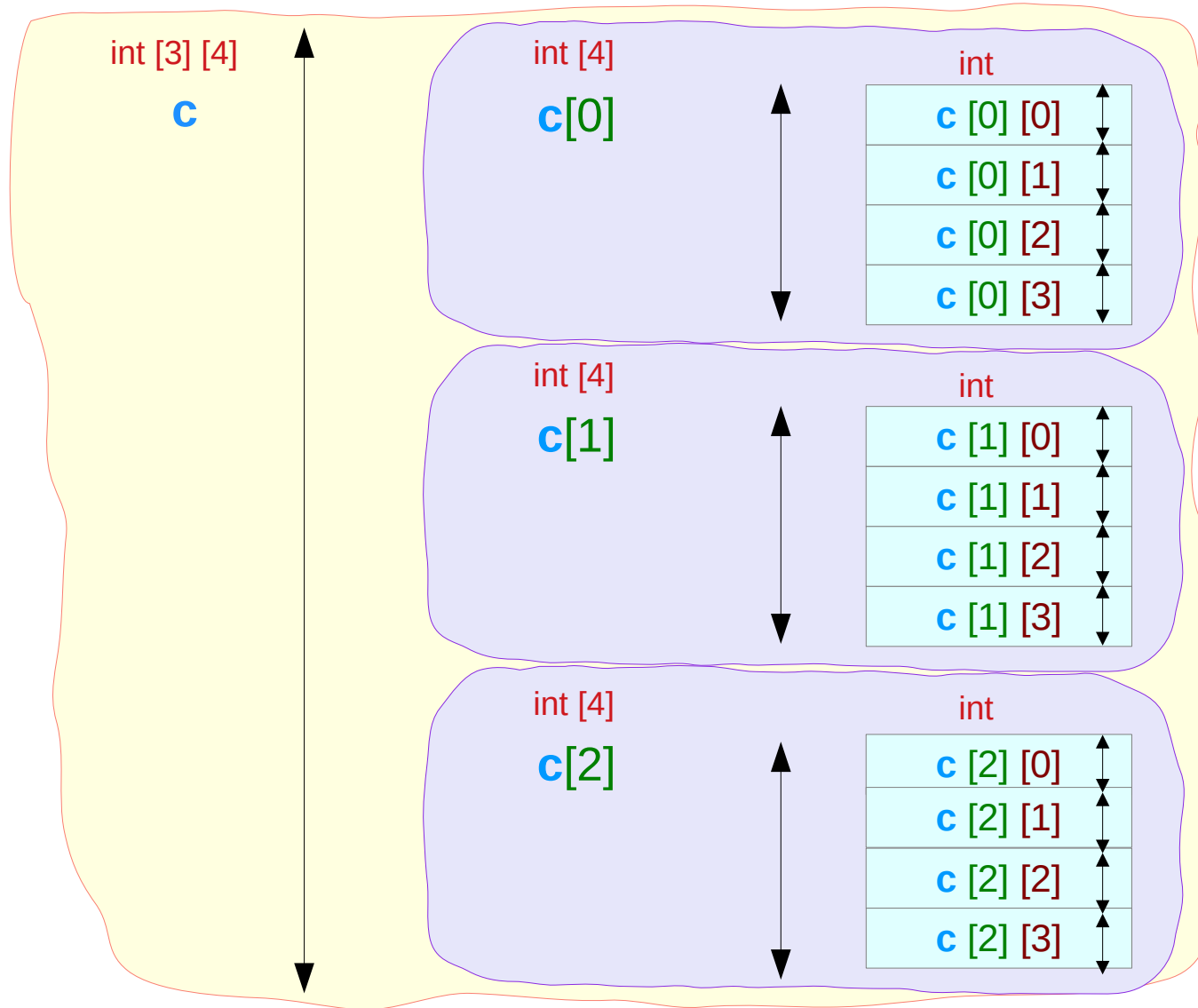


# Recursive data view

<code>c</code>	2-d array	<code>int [3][4]</code>
<code>c</code>	1-d array pointer	<code>int (*)[4]</code>
<code>c[i]</code>	1-d array	<code>int [4]</code>
<code>c[i]</code>	0-d array pointer	<code>int (*)</code>
<code>c[i][j]</code>	0-d array	<code>int</code>

`int`   `c[3]`   `[4]` ;

3-element array `c`  
4-element array `c[i]`



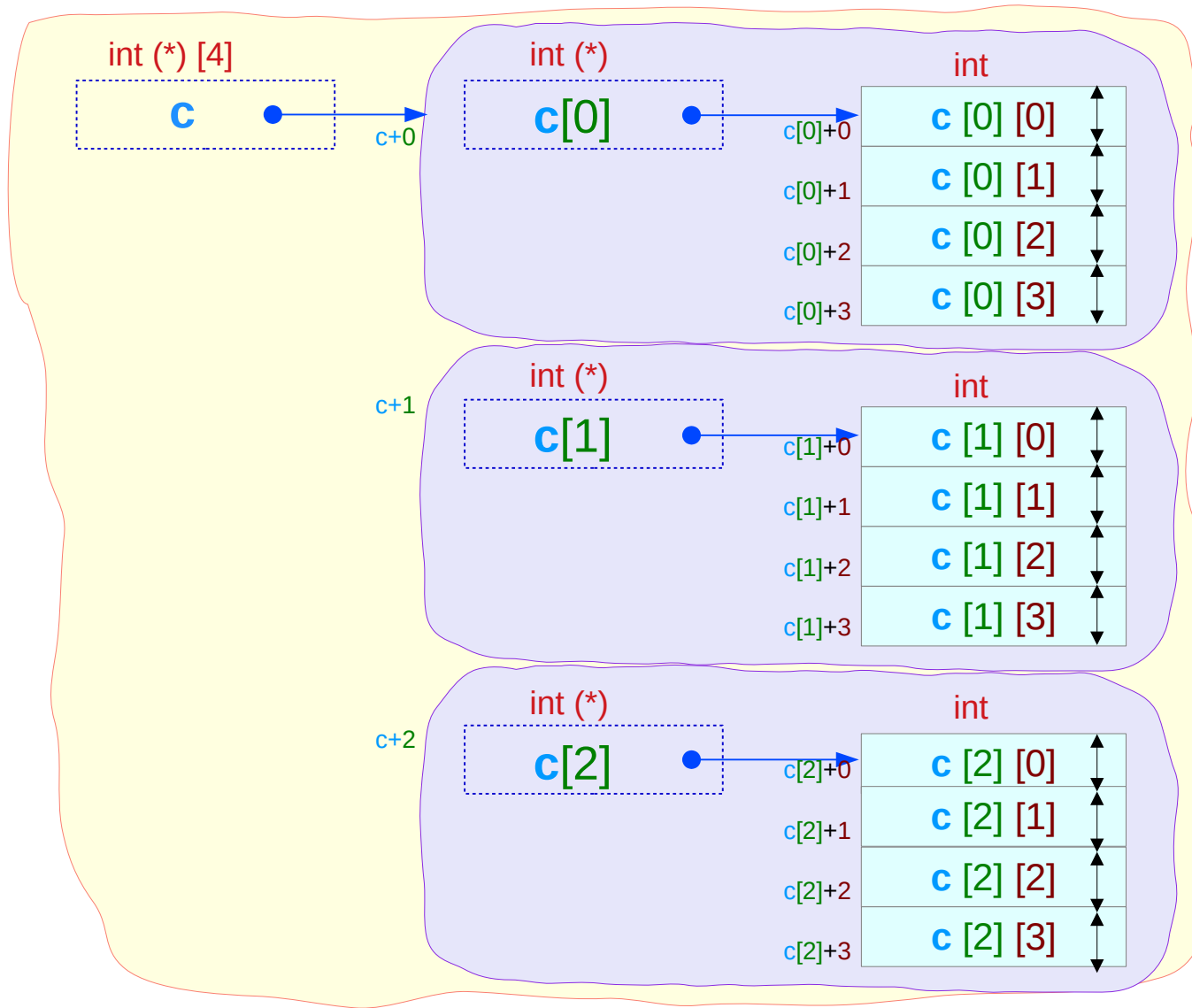
# Pointer view

<b>c</b>	<b>2-d array</b>	<b>int [3][4]</b>
<b>c</b>	<b>1-d array pointer</b>	<b>int (*)[4]</b>
<b>c[i]</b>	<b>1-d array</b>	<b>int [4]</b>
<b>c[i]</b>	<b>0-d array pointer</b>	<b>int (*)</b>
<b>c[i][j]</b>	<b>0-d array</b>	<b>int</b>

**int**   **c[3]**   **[4] ;**

$$\begin{aligned}
 v(\mathbf{c}) &= v(\mathbf{c}[0]) = v(\&\mathbf{c}[0][0]) \\
 v(\mathbf{c}[1]) &= v(\&\mathbf{c}[1][0]) \\
 v(\mathbf{c}[2]) &= v(\&\mathbf{c}[2][0])
 \end{aligned}$$

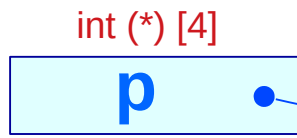
$v \equiv \text{value}$





# 1-d array pointer

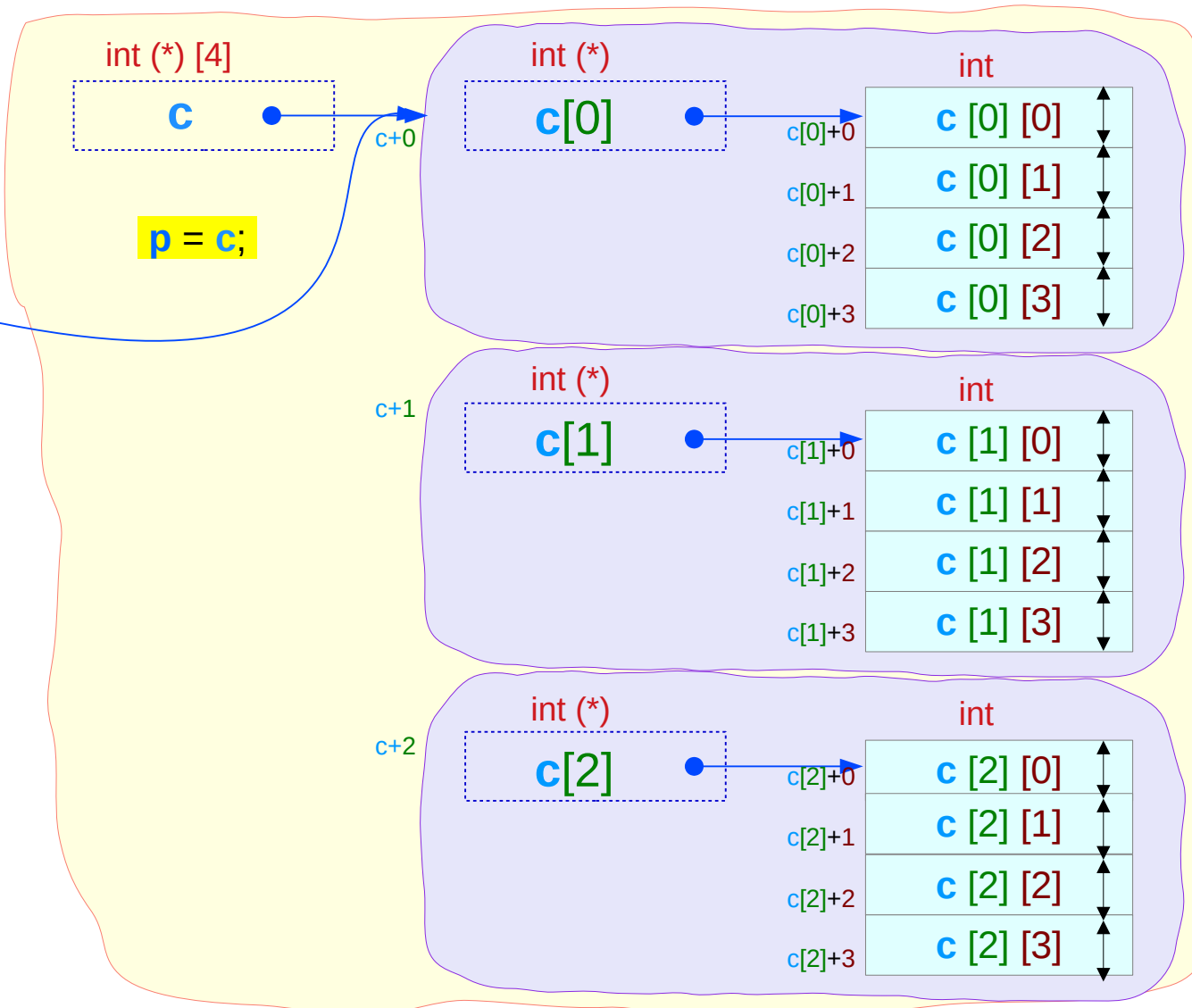
```
int (*p) [4];
```



```
int c[3] [4];
```

$$\begin{aligned} v(c) &= v(c[0]) = v(\&c[0][0]) \\ v(c[1]) &= v(\&c[1][0]) \\ v(c[2]) &= v(\&c[2][0]) \end{aligned}$$

$v \equiv$  value

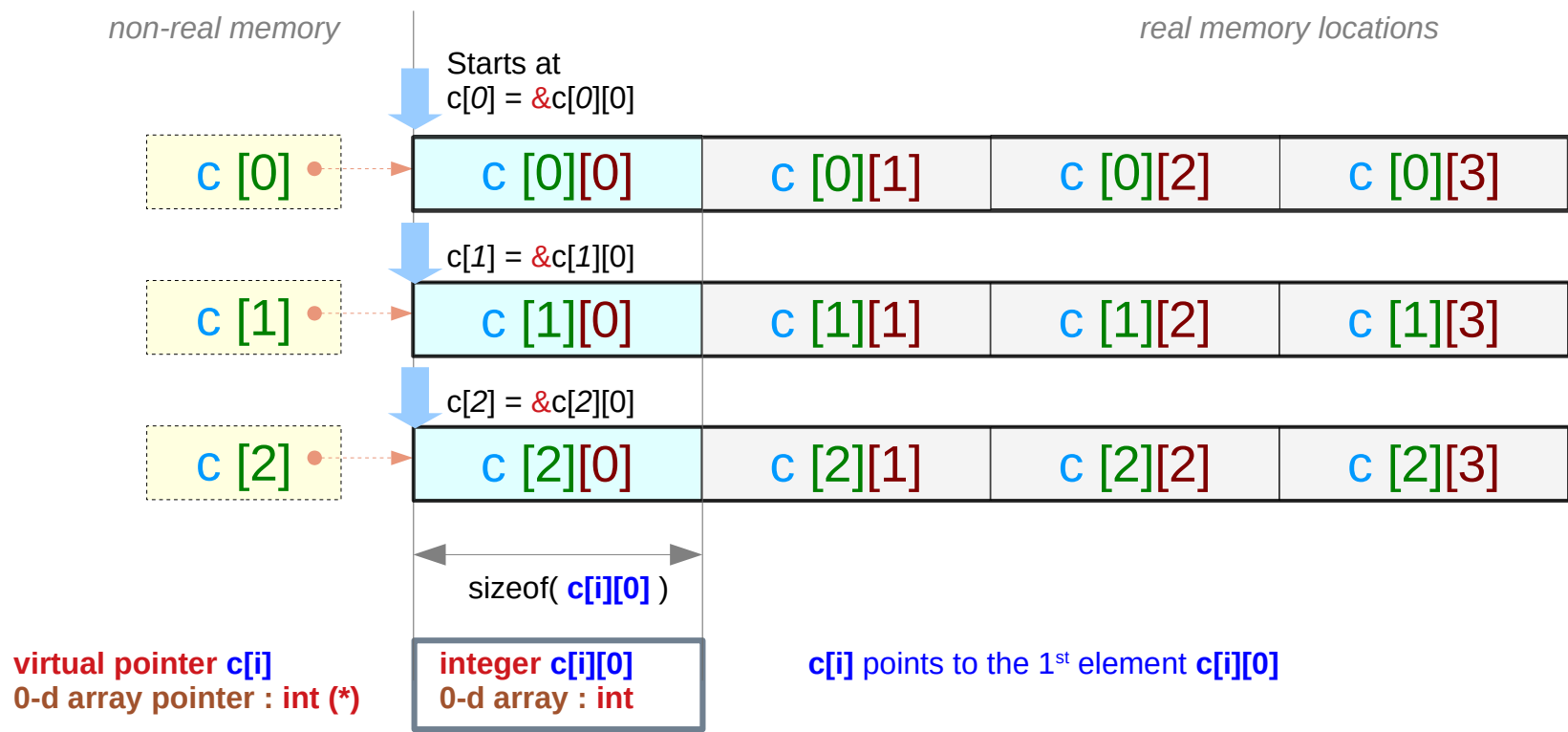


# Pointer $c[i]$ and integer $c[i][0]$

```
int c[3][4];
```

non-real pointer  $c[i]$  :  $\text{value}(c[i]) = \&c[i][0]$

0-d array pointer

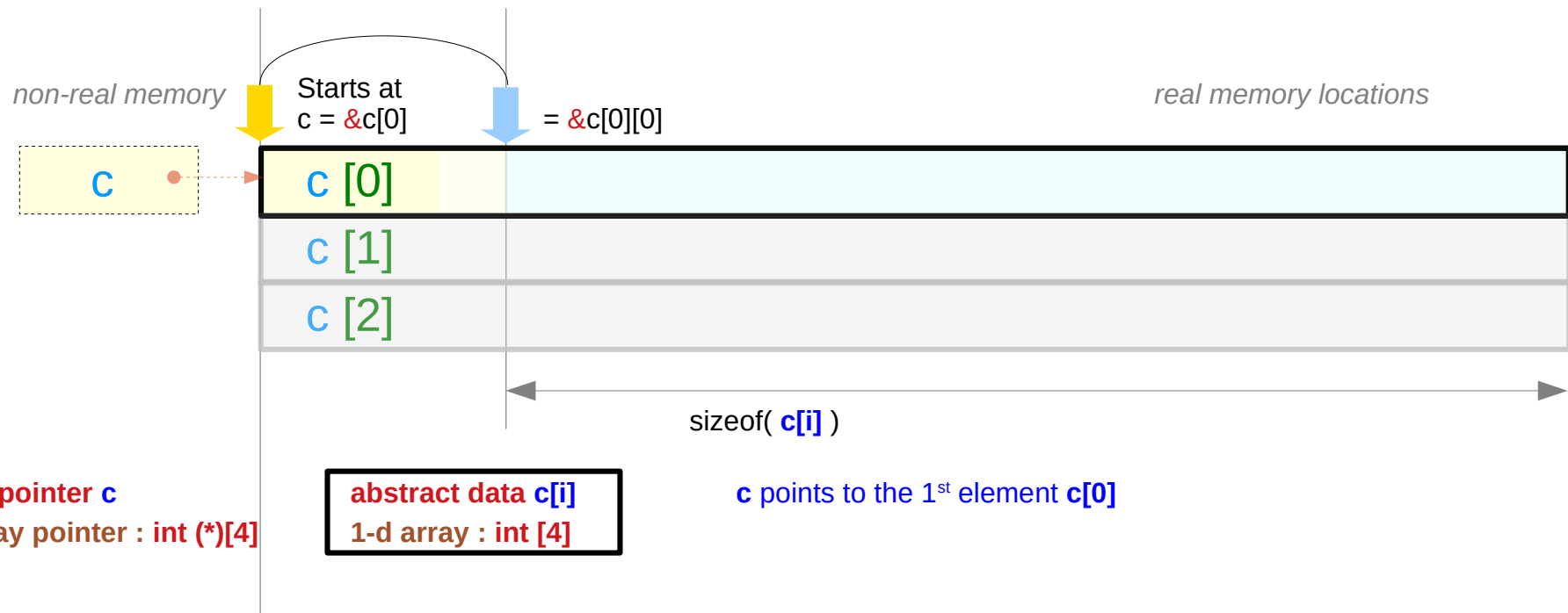


# Pointer **c** and abstract data **c[i]**

```
int c [3] [4];
```

non-real pointer **c** :  $\text{value}(\mathbf{c}) = \&\mathbf{c}[0] = \&\mathbf{c}[0][0]$   
abstract data **c[i]** :  $\text{sizeof}(\mathbf{c}[\mathbf{i}]) = 4 * \text{sizeof}(\text{int})$

**1-d** array pointer  
**1-d** array

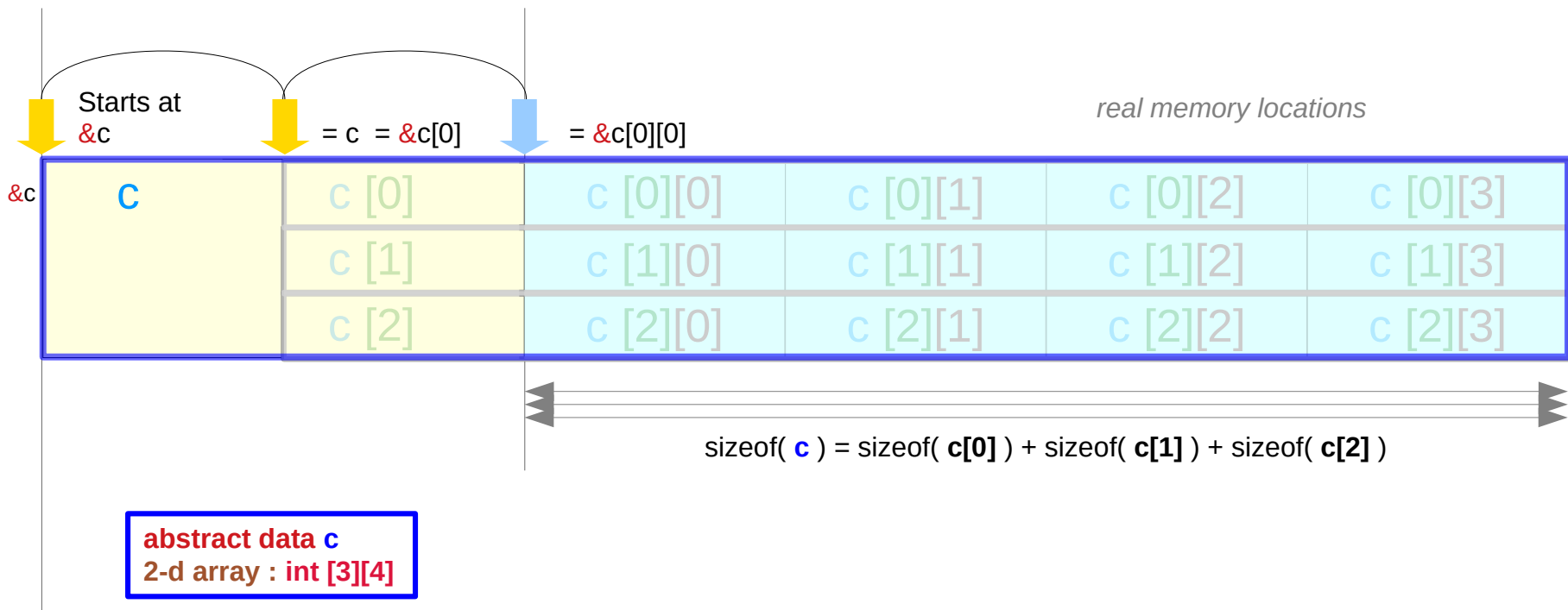


# Abstract data **c**

```
int c [3] [4];
```

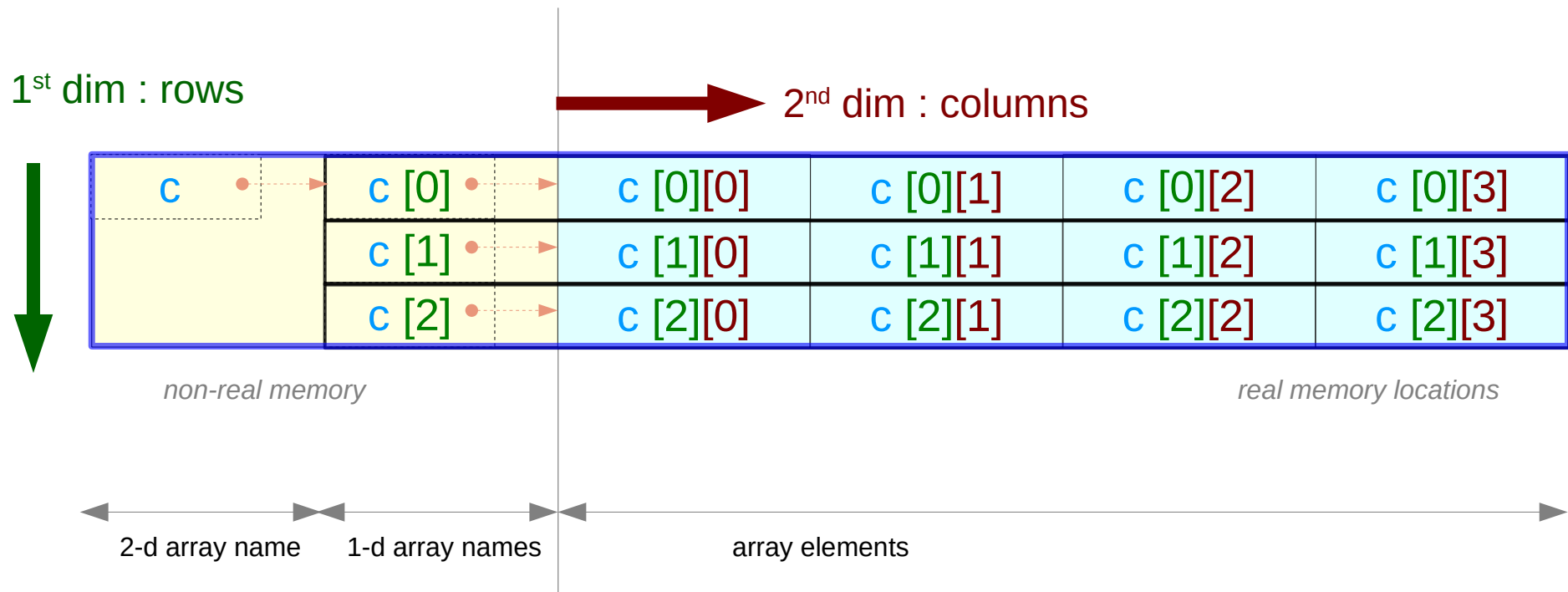
abstract data **c**:  $\text{sizeof}(\mathbf{c}) = 3 * \text{sizeof}(\mathbf{c}[\mathbf{i}])$

**2-d array**



# Rows and columns of a 2-d array **c**

```
int c[3][4];
```



# The name of a 2-d array

```
int    a [4];
```

```
int    c [4] [4];
```

1. the name of the nested array (recursive definition)
2. a double pointer
3. a pointer to an array

# 2-d array c and 1-d array q

```
int c [3] [4];
```

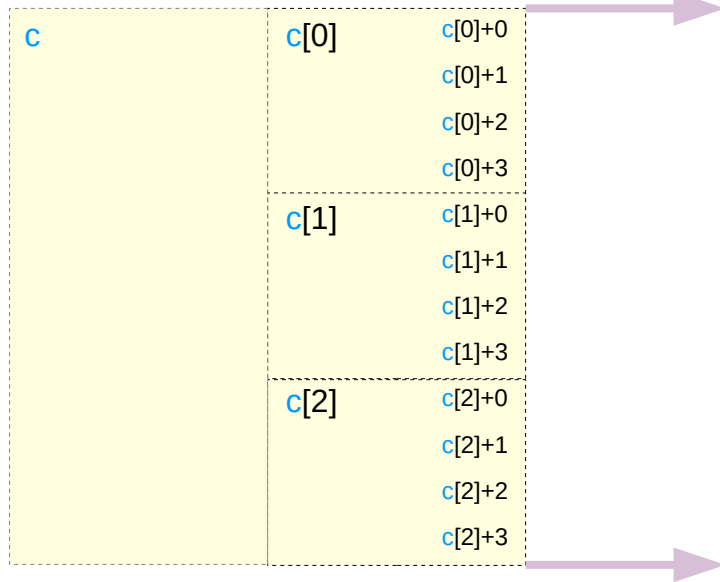
c	c[0]	c[0]+0	c[0][0]
		c[0]+1	c[0][1]
		c[0]+2	c[0][2]
		c[0]+3	c[0][3]
	c[1]	c[1]+0	c[1][0]
		c[1]+1	c[1][1]
		c[1]+2	c[1][2]
		c[1]+3	c[1][3]
	c[2]	c[2]+0	c[2][0]
		c[2]+1	c[2][1]
		c[2]+2	c[2][2]
		c[2]+3	c[2][3]

```
int q [3*4];
```

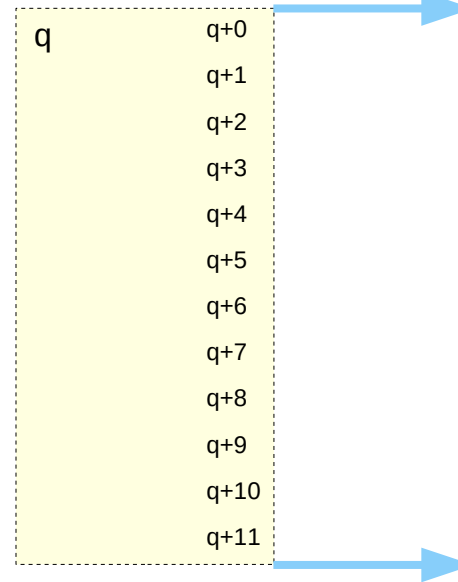
q	q+0	q[0*4+0]
	q+1	q[0*4+1]
	q+2	q[0*4+2]
	q+3	q[0*4+3]
	q+4	q[1*4+0]
	q+5	q[1*4+1]
	q+6	q[1*4+2]
	q+7	q[1*4+3]
	q+8	q[2*4+0]
	q+9	q[2*4+1]
	q+10	q[2*4+2]
	q+11	q[2*4+3]

# 2-d and 1-d interpretations of linear memories

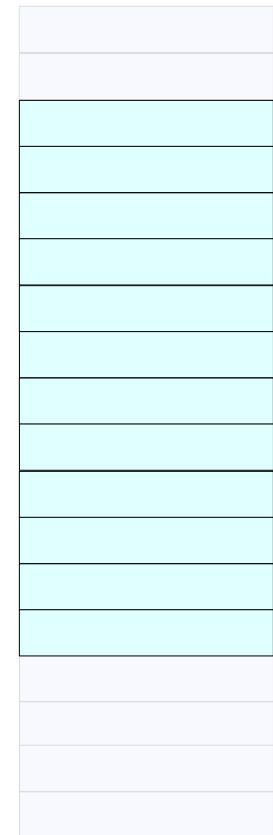
2-d interpretation



1-d interpretation



Physical Linear Memory





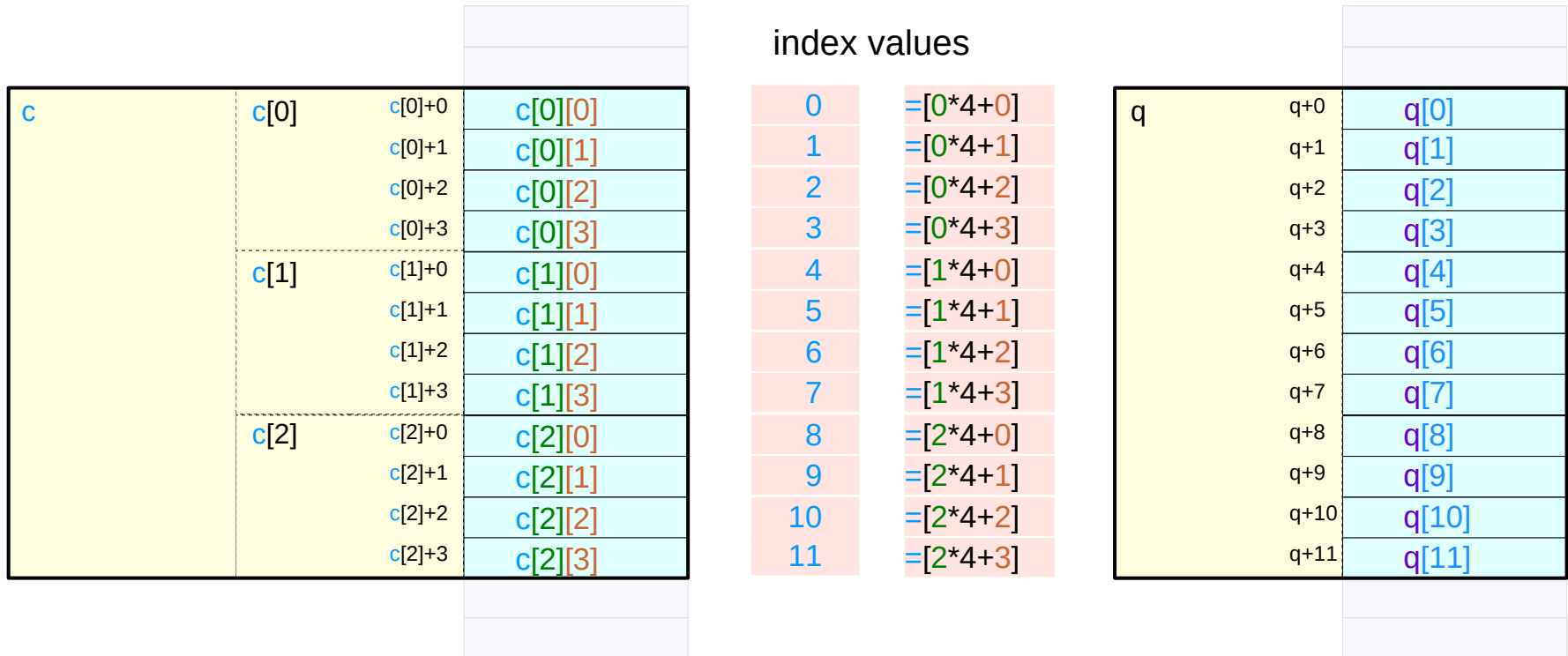
# A 2-d array stored as a 1-d array (row major order)

```
int c [3] [4];
```

```
c[i][j]
```

```
[i*4+j]
```

```
[k]
```



## 2-d array access via a single pointer

```
int *p = c[0];
```



```
int c [3][4];
```

```
p[ i*4 + j ]
```



```
c[ i ][ j ]
```

```
*(p + i*4 + j)
```



```
*(*(c+i)+ j)
```

```
*(p + k)    i = k / 4;  
            j = k % 4;
```

# View a 2-d array as a 1-d array

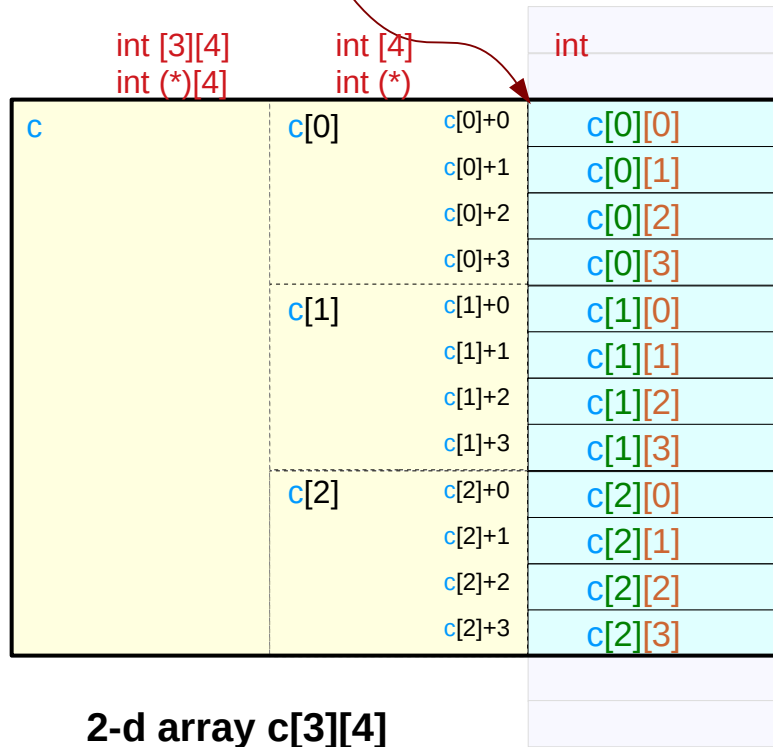
```
int c [3][4];
```

```
int *p = c[0];
```

c, c[0],  
&c[0][0]

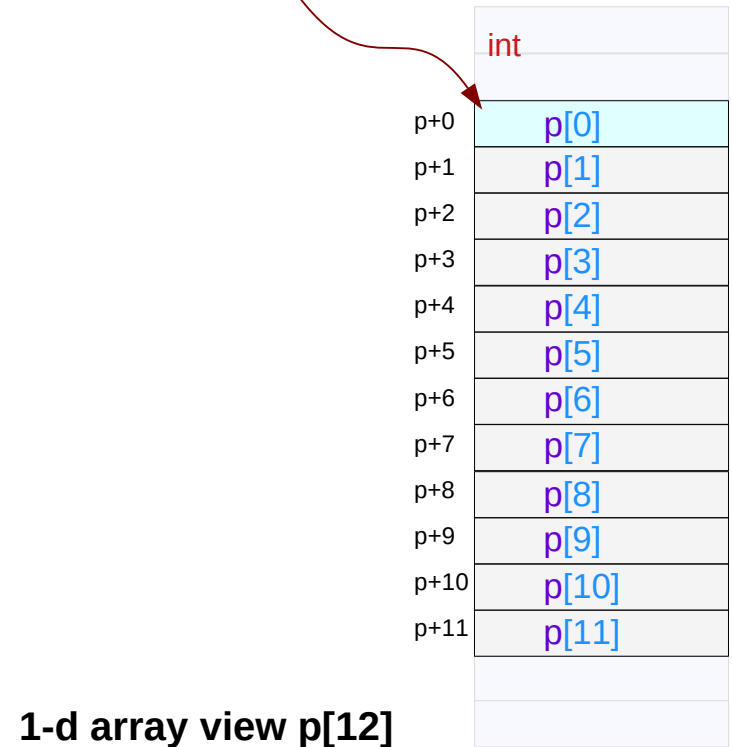
0-d array pointer int (\*)

p



0-d array pointer int (\*)

p



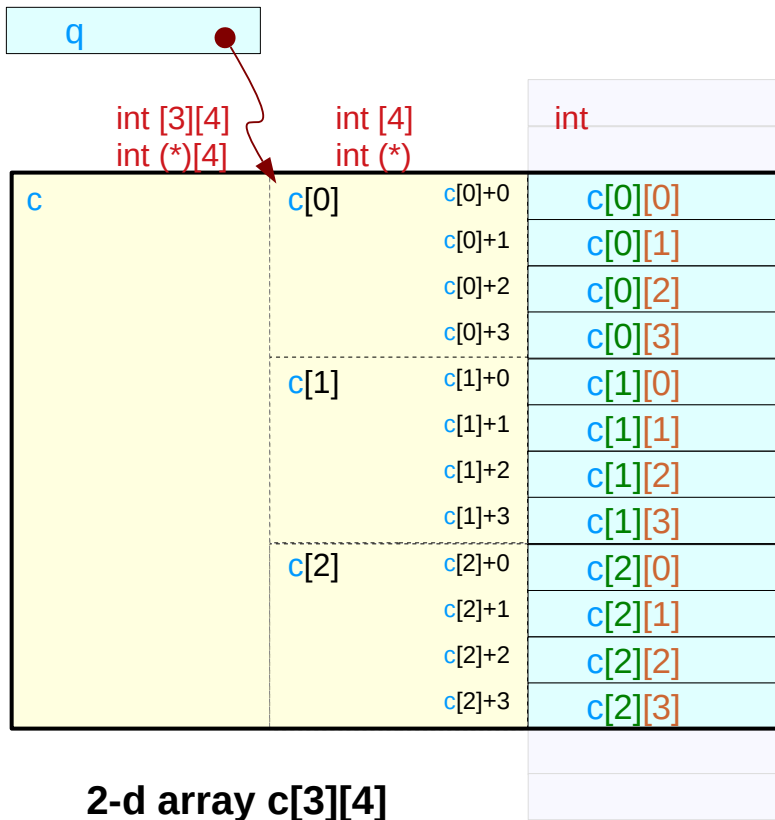
# View a 2-d array as another 2-d array

```
int c [3][4];
```

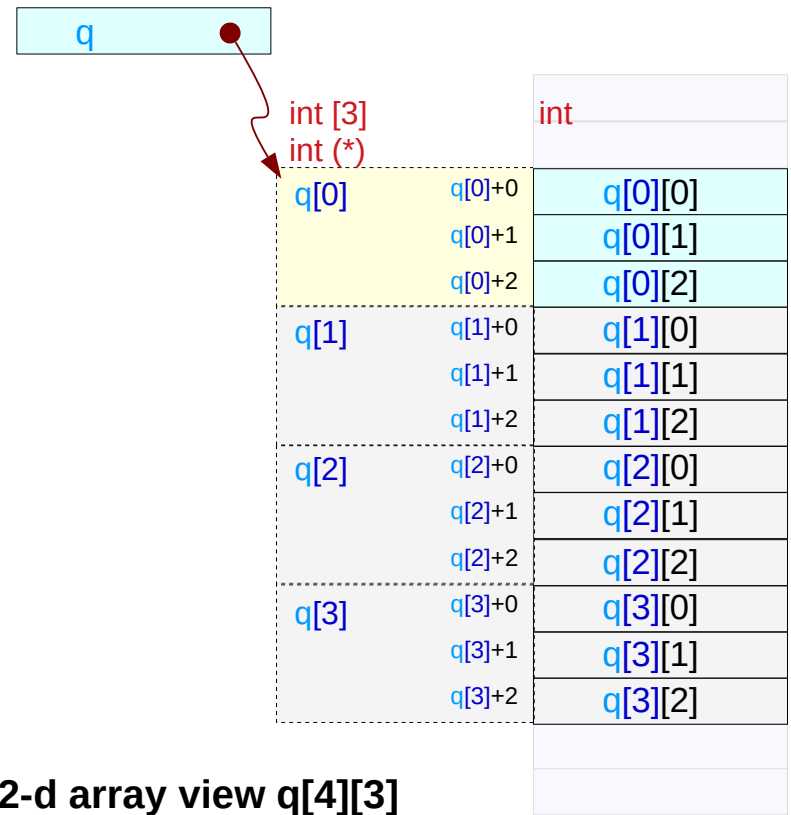
```
int (*q) [3] = (int (*) [3]) c;
```

`c`, `c[0]`,  
&`c[0][0]`

1-d array pointer `int (*) [3]`



1-d array pointer `int (*) [3]`



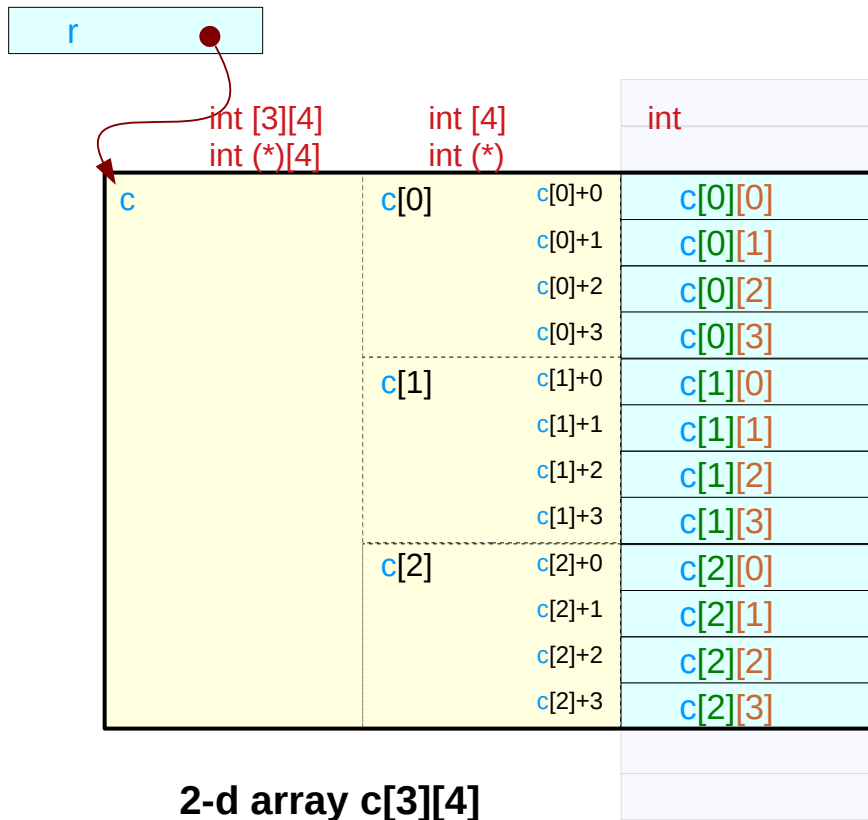
# A 2-d array stored as a 1-d array (row major order)

```
int c [3] [4];
```

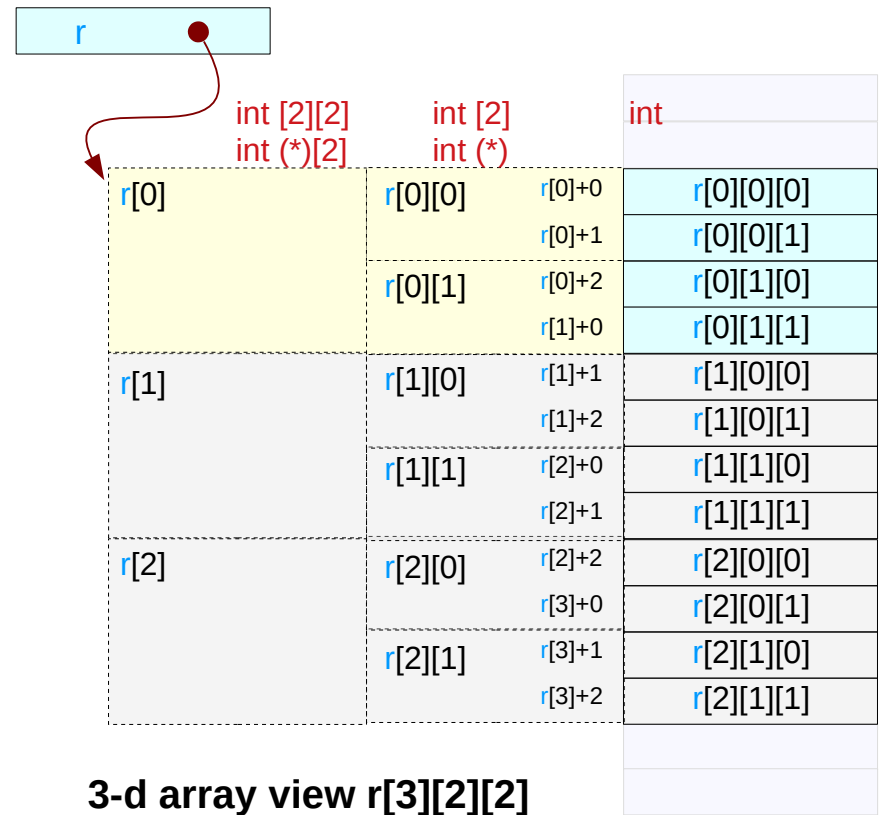
```
int (*r) [2][2] = (int (*) [2][2]) c;
```

`c, c[0],  
&c[0][0]`

2-d array pointer `int (*) [2][2]`



2-d array pointer `int (*) [2][2]`



## 2-d array access via pointers

```
int c [3][4];
```

### 1. recursive pointers

```
c [ i ][ j ]
```

```
(*(c+i))[ j ]
```

→ int (\*p)[4];

```
*(c[ i ]+ j)
```

```
*(*(c+i)+ j)
```

→ int \*\*q;

```
int *p = c[0] ;
```

### 2. linear array pointers

```
p[ i*4 + j ]
```

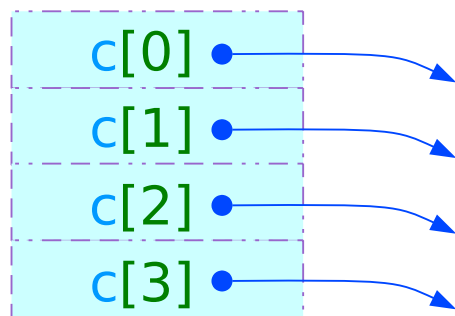
```
*(p+ i*4 + j)
```

# Static Allocation of a 2-d Array

```
int A [3][4];
```

A in %eax,  
i in %edx,  
j in %ecx

```
sall    $2, %ecx          ;; j * 4  
leal   (%edx, %edx, 2), %edx  ;; i * 3  
leal   (%ecx, %edx, 4), %edx  ;; j * 4 + i * 12  
movl   (%eax, %edx), %eax    ;; read M[ XA+4(3i +j) ]
```



The pointer array :  
not allocated  
in the memory

c[0]+0	*(c [0]+0)
c[0]+1	*(c [0]+1)
c[0]+2	*(c [0]+2)
c[0]+3	*(c [0]+3)
c[1]+0	*(c [1]+0)
c[1]+1	*(c [1]+1)
c[1]+2	*(c [1]+2)
c[1]+3	*(c [1]+3)
c[2]+0	*(c [2]+0)
c[2]+1	*(c [2]+1)
c[2]+2	*(c [2]+2)
c[2]+3	*(c [2]+3)

---

# Pointers, arrays, and operator precedence



# Address-of & and dereference \* operators

## Address-of operation

**&X**

C Expressions

=

**value(&X)**

Mixed Expressions

*rvalue*

*rvalue*

**&X**

*lvalue*



*&X evaluates the address value of a variable X*

*&* is a mathematical operator (the inverse operator of *\**)

$\text{value}(\&X) = \text{value}(\text{value}(\&X)) = \text{value}(\&X) = \&X$

## Dereference operation

**\*X**

C Expressions

=

**\*value(X)**

Mixed Expressions

*lvalue*

*rvalue*

**X**

*lvalue*



*lvalue must be evaluated to rvalue*

*X must be evaluated to an address before de-referencing*

# Equivalences in address replications

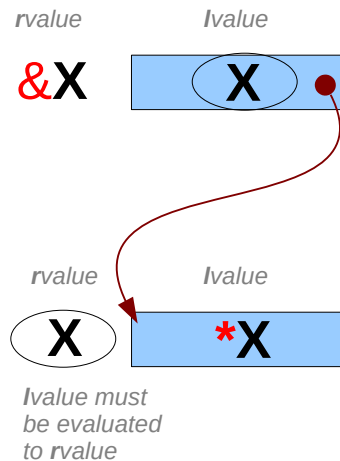
## Equivalences in Address Replications

a pointer variable  $X$

$\text{value}(\&X) \equiv \text{value}(X)$

at the pointed address  $X$

$\text{value}(X) \equiv * \text{value}(X)$

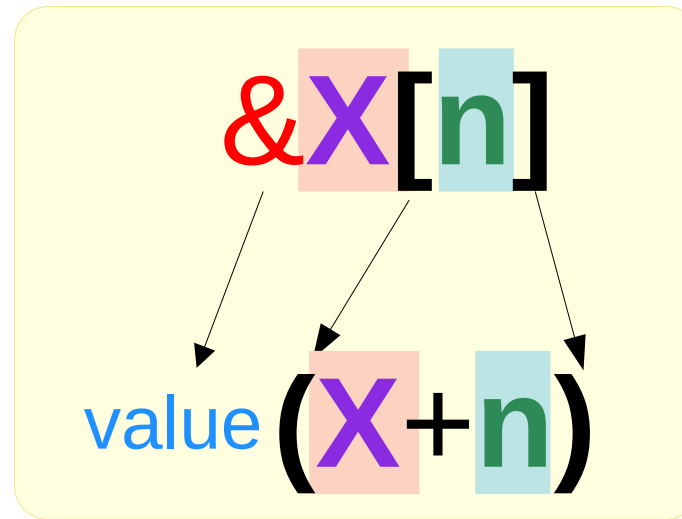
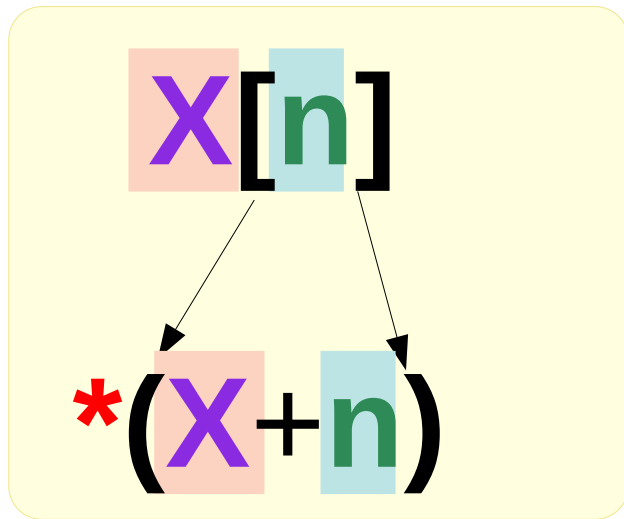


$\&X$  and  $X$  have different types  
but have the same value

$X$  and  $*X$  have different types  
but have the same value

$\text{value}(\&X) \equiv \text{value}(X) \equiv * \text{value}(X)$

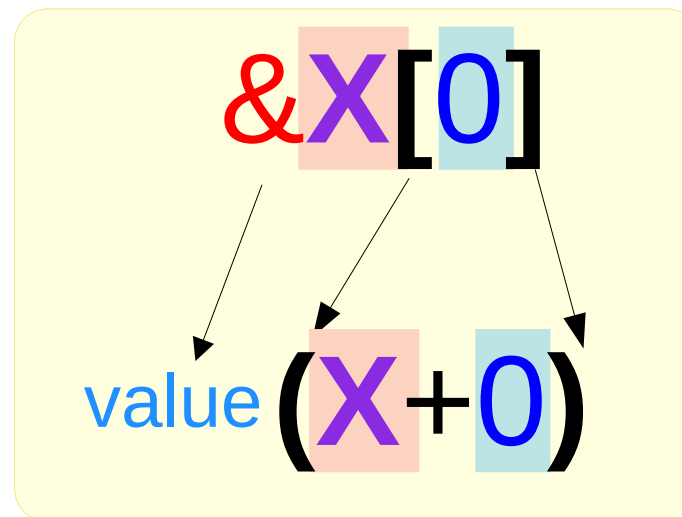
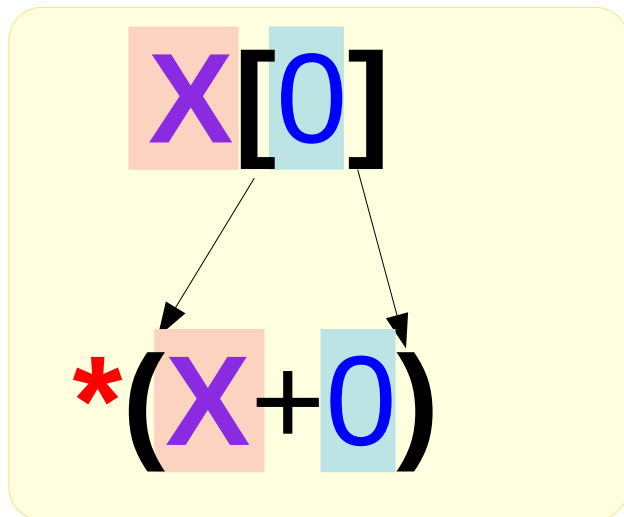
# Equivalences in array notations



← C operator  $\&$   
 $\neq$  inverse of  $*$

math operator  $\&$   
= inverse of  $*$

↓  
 $\text{value}(\&X[n])$   
=  $\text{value}(\&*(X+n))$   
=  $\text{value}(X+n)$



← C operator  $\&$   
 $\neq$  inverse of  $*$

math operator  $\&$   
= inverse of  $*$

↓  
 $\text{value}(\&X[0])$   
=  $\text{value}(\&*(X+0))$   
=  $\text{value}(X+0)$

# Pointer Arithmetic

- increment / decrement  $++X, --X, X++, X--$
- addition of an integer  $X + i$
- subtraction of an integer  $X - i$
- subtracting two pointers of the same type  $X - Y$
- comparison of pointers  $==, !=, >, >=, <, <=$
- adding two pointers are not allowed  ~~$X + Y$~~

pointer variables:  $X, Y$

integer compatible variables :  $i$

(**int, short, char, ...**)

# Pointer Addition / Subtraction

pointer variables: **X, Y**

primitive variables : **A, B**

`value(X)` is used to avoid confusion  
between **pointer additions**  
and **arithmetic additions**

**X + A**    the variable **A** must have  
**X - A**    **integer** compatible types,  
            otherwise **error**

**X + Y**    **error!**

**X - Y**    o.k.

`value(A) = A`    primitive variable **A**

`value(X) ≠ X`    pointer variable **X**

`value(X + A) = value(X) +a A * sizeof(*X)`

`value(X - A) = value(X) -a A * sizeof(*X)`

`value(X + Y)`    **error!**

`value(X - Y) = value(X) -a value(Y)`

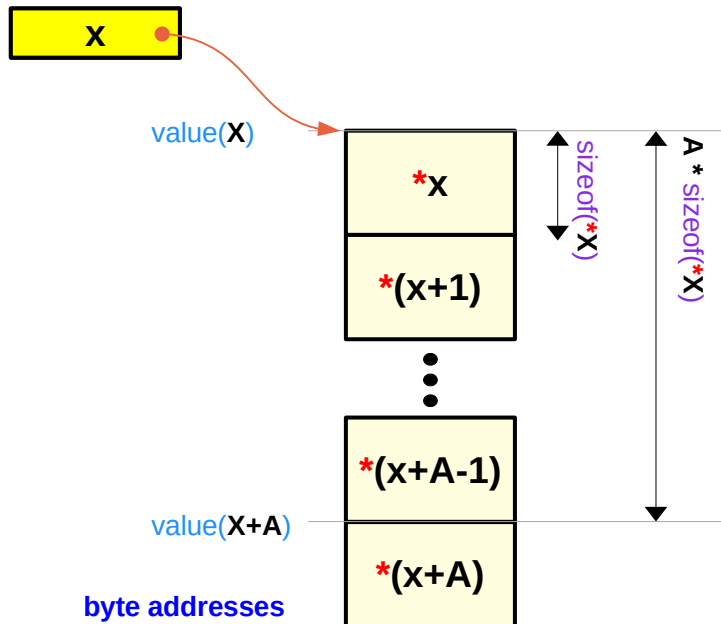
`+a` is used to denote **arithmetic additions**

`-a` is used to denote **arithmetic subtractions**

# Pointer Addition / Subtraction

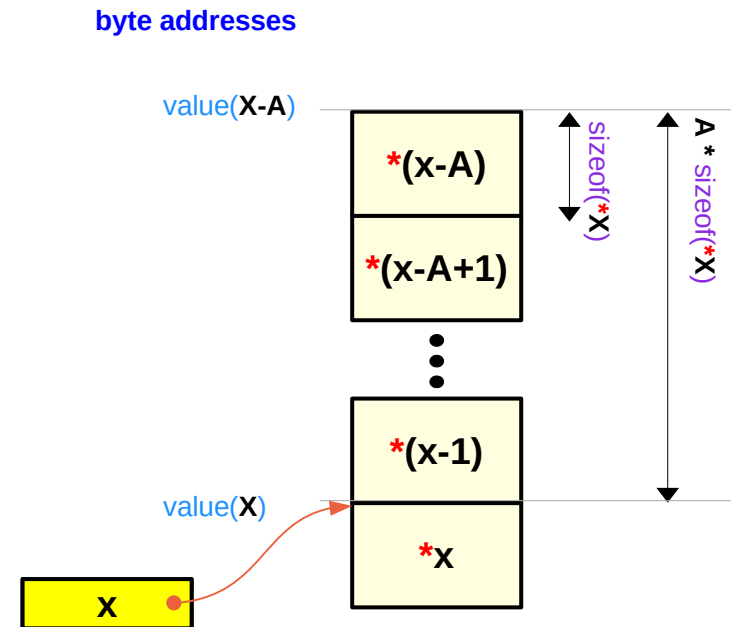
**X + A : pointer addition**

$$\text{value}(X + A) = \text{value}(X) +_a A * \text{sizeof}(*X)$$



**X - A : pointer subtraction**

$$\text{value}(X - A) = \text{value}(X) -_a A * \text{sizeof}(*X)$$



# Pointer variables vs. primitive variables

pointer variables: **X**

$\text{value}(\mathbf{X}) \neq \mathbf{X}$

integer compatible variables : **A**

$\text{value}(\mathbf{A}) = \mathbf{A}$

<b>X</b>	C expression	<p>+ → pointer additions</p> <p>- → pointer subtractions</p>	<p><math>\text{value}(\mathbf{X} + \mathbf{A}) = \text{value}(\mathbf{X}) +_a \mathbf{A} * \text{sizeof}(*\mathbf{X})</math></p> <p><math>\text{value}(\mathbf{X} - \mathbf{A}) = \text{value}(\mathbf{X}) -_a \mathbf{A} * \text{sizeof}(*\mathbf{X})</math></p>
<b>A</b>	C expression	<p>+ → pointer additions</p> <p>- → pointer subtractions</p> <p><i>for a <u>pointer</u> type operand</i></p> <p>+ → arithmetic additions <math>+_a</math></p> <p>- → arithmetic subtractions <math>-_a</math></p> <p><i>for a <u>non pointer</u> type operand</i></p>	<p><math>\text{value}(\mathbf{X} + \mathbf{A}) = \text{value}(\mathbf{X}) +_a \mathbf{A} * \text{sizeof}(*\mathbf{X})</math></p> <p><math>\text{value}(\mathbf{X} - \mathbf{A}) = \text{value}(\mathbf{X}) -_a \mathbf{A} * \text{sizeof}(*\mathbf{X})</math></p>
$\text{value}(\mathbf{X})$	Math expression	<p>+ → arithmetic additions <math>+_a</math></p> <p>- → arithmetic subtractions <math>-_a</math></p>	
$\text{value}(\mathbf{A})$	Math expression	<p>+ → arithmetic additions <math>+_a</math></p> <p>- → arithmetic subtractions <math>-_a</math></p>	

# Recursive application of `value()`

`value(value(A)) = value(A) = A`

`value(value(X)) = value(X)  $\neq$  X`

`value(value(X + i))`

`= value(value(X) +a i * sizeof(*X))`

`= value(value(X)) +a value(i * sizeof(*X))`

`= value(X) +a i * sizeof(*X)`

`= value(X) + i * sizeof(*X) in math expression`



# Operator Precedence of \* and [ ]

$$*x[m] \equiv *(x[m])$$

$$x[m][n] \equiv (x[m])[n]$$

$$**x \equiv>(*x)$$

[ ] has a **higher** priority than \*

[ ] has **left-to-right** associativity

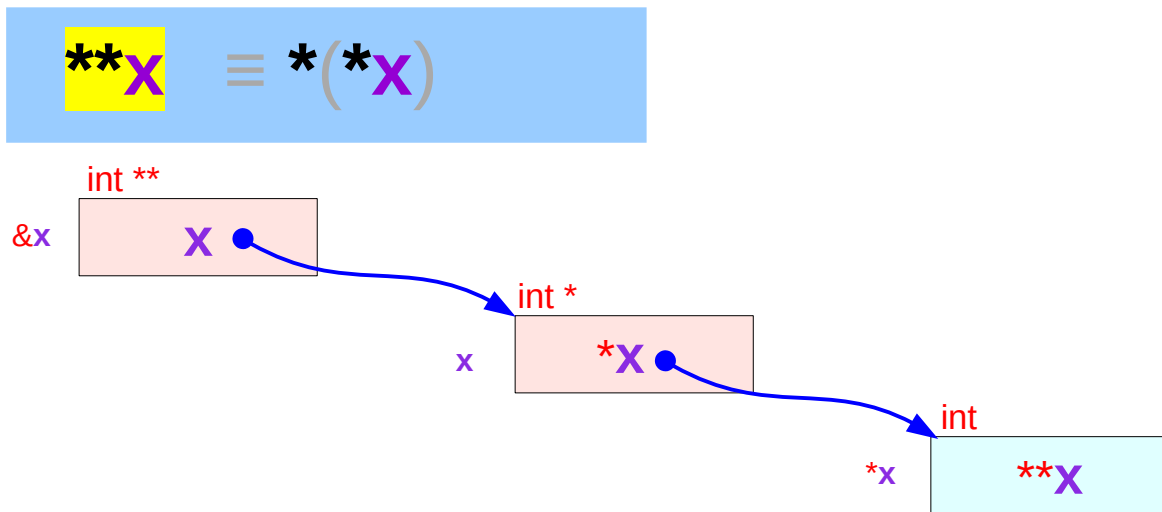
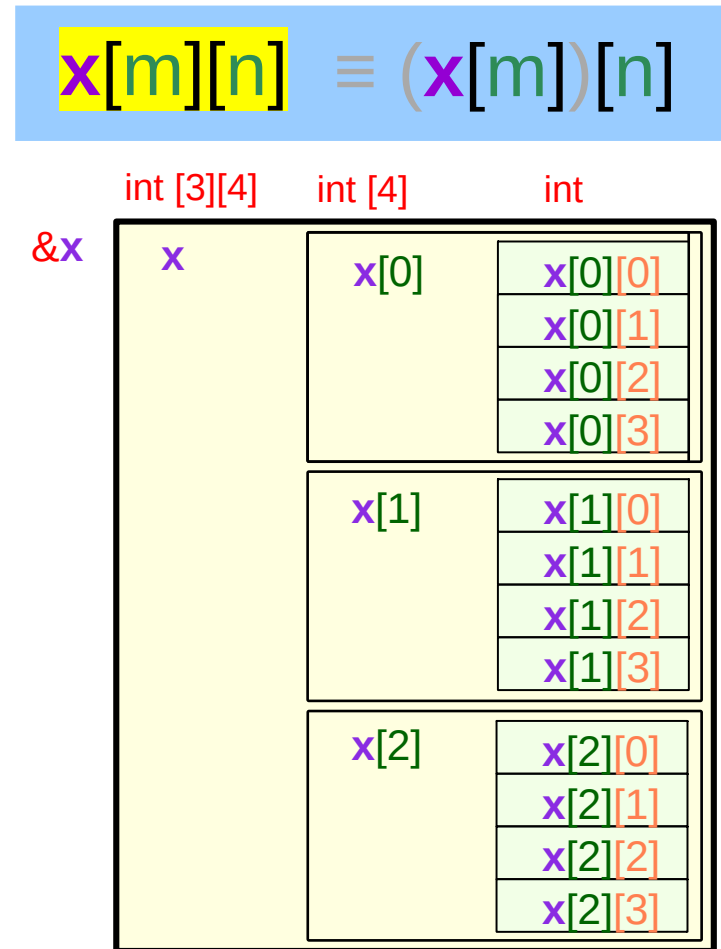
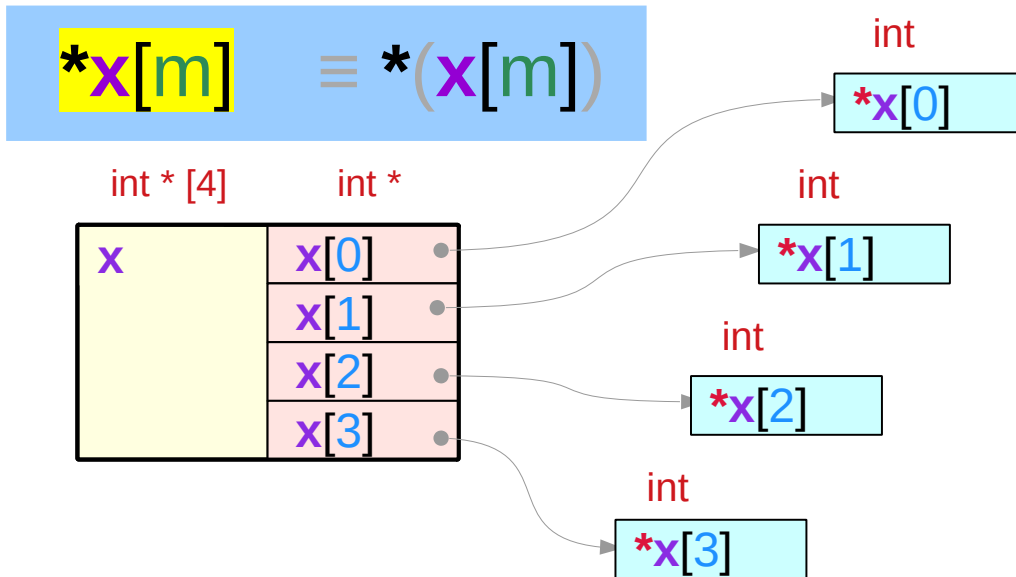
\* has **right-to-left** associativity

$$(*x)[m][n] \leftrightarrow ((*x)[m])[n]$$

red parentheses ( ) must not be removed  
gray parentheses ( ) can be removed

$$(*x[m])[n] \leftrightarrow (*(x[m]))[n]$$

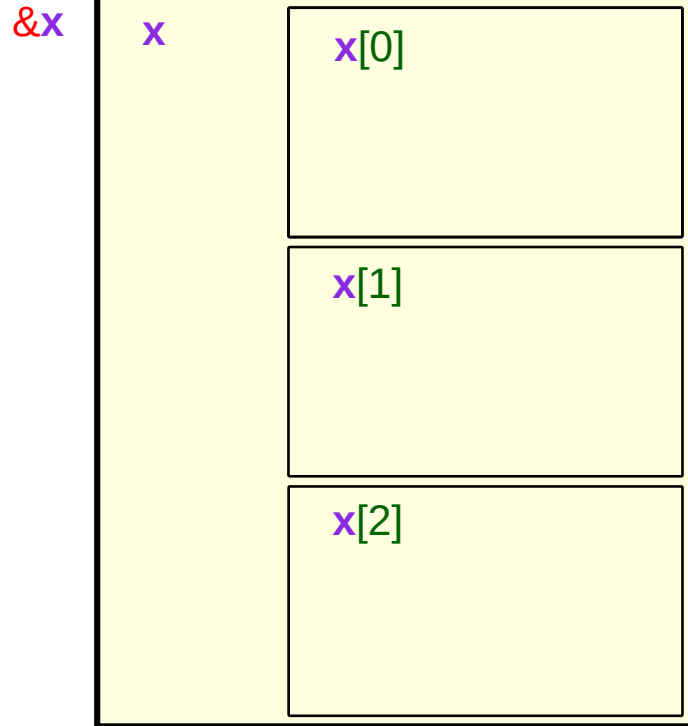
# Operator Precedence of \* and [ ]



# Abstract Data $x$ and $x[i]$

$x[3]$   $x$  has 3 elements

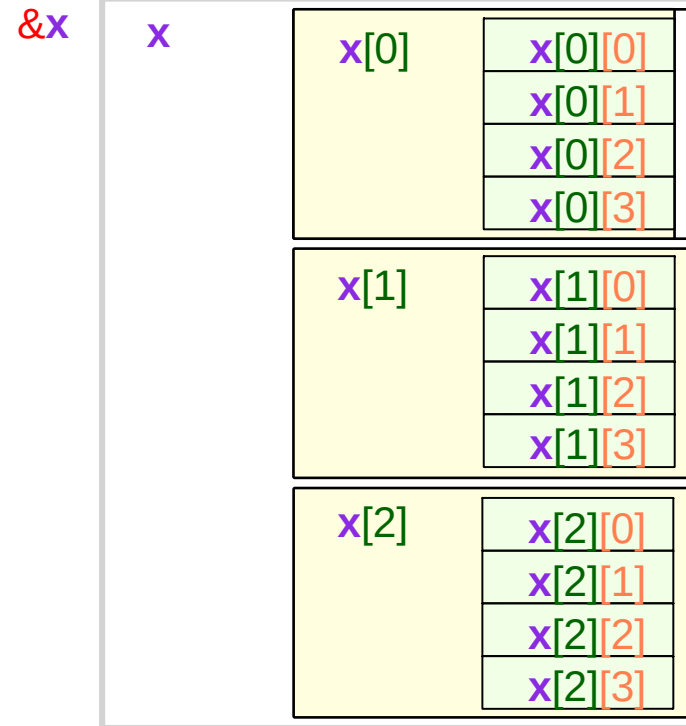
$\text{int } [3][4]$     $\text{int } [4]$



array element  $x[i]$

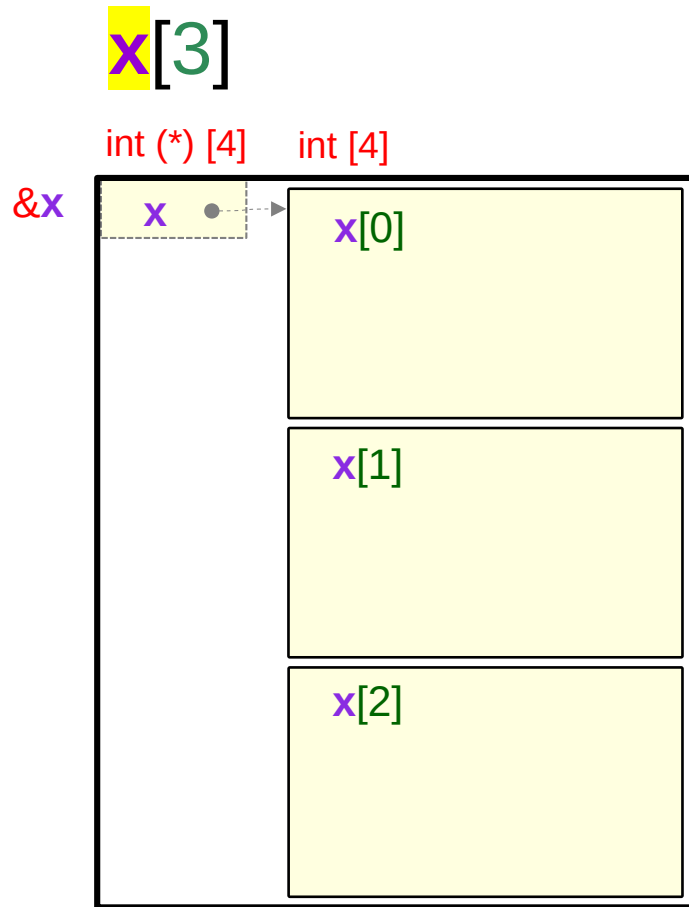
$(x[3])[4]$  each  $x[i]$  has 4 elements

$\text{int } [3][4]$     $\text{int } [4]$     $\text{int}$

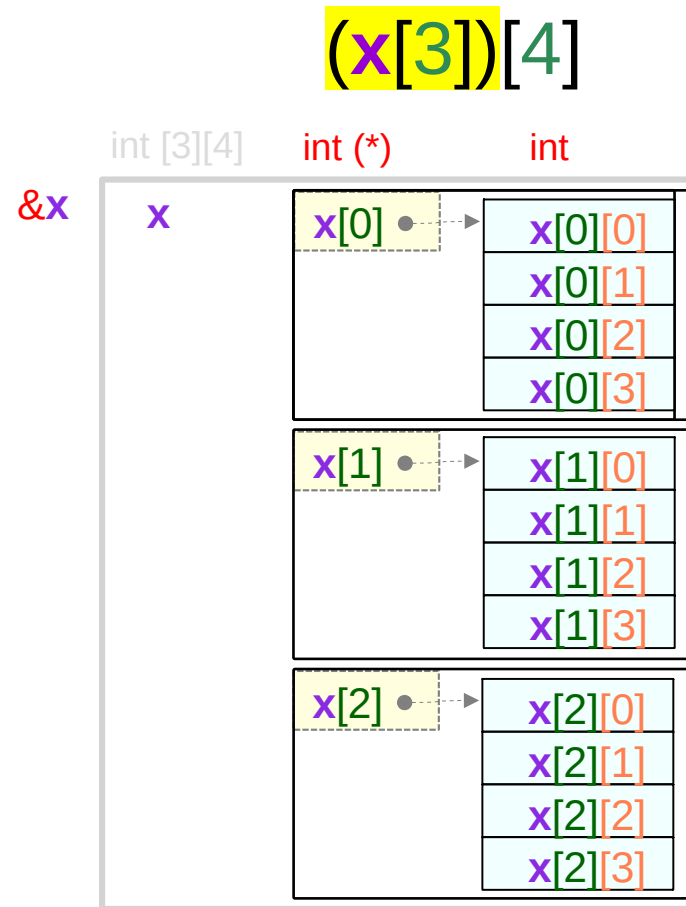


array name  $x[i][j]$

# Virtual Pointers $x$ and $x[i]$

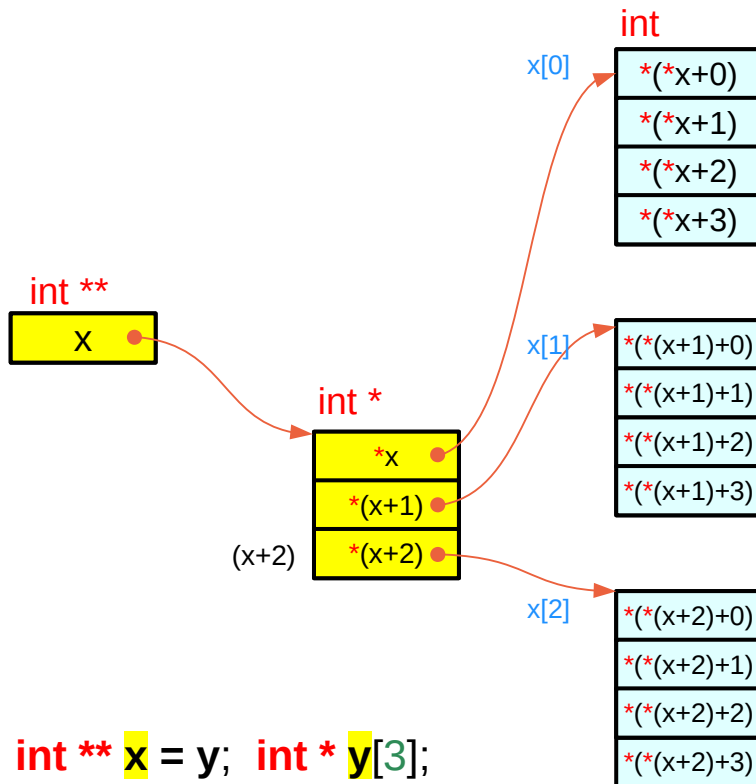


array name  $x$  ..... virtual pointer  
 array element  $x[i]$  ..... abstract data



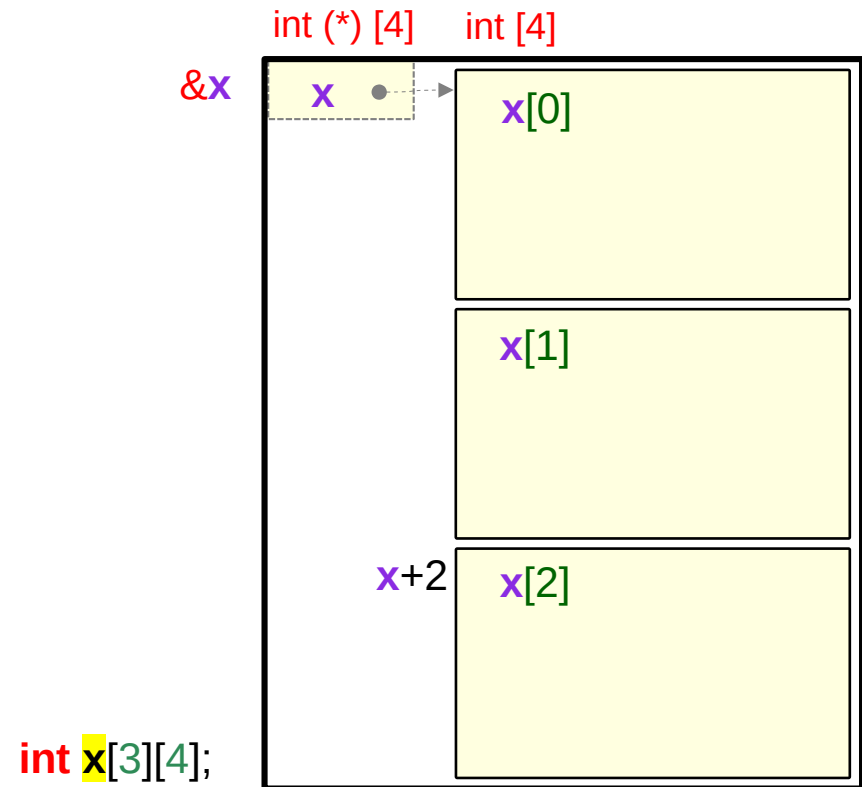
array name  $x[i]$  ..... virtual pointer  
 array element  $x[i][j]$  .... primitive data

# Virtual Pointers $x$ and $x[i]$



## Pointer Array Approach

$$\text{value}(x + i) = \text{value}(x) +_a i * \text{sizeof}(*x)$$



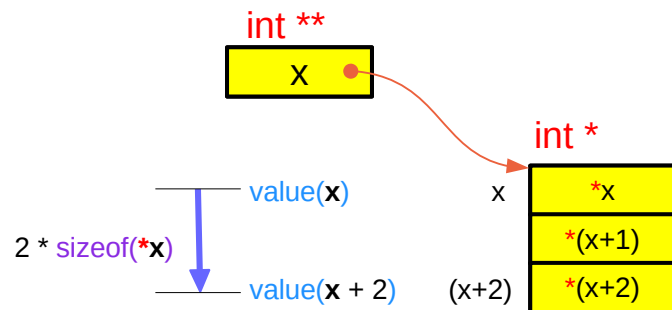
## Array Pointer Approach

$$\text{value}(x + i) = \text{value}(x) +_a i * \text{sizeof}(x[0])$$

# Base and offset in byte addresses

pointer variable **X**

$\text{value}(\mathbf{x + i})$       pointer addition +  
 $= \text{value}(\mathbf{x}) +_a \mathbf{i} * \text{sizeof}(\mathbf{*x})$       arithmetic addition  $+_a$

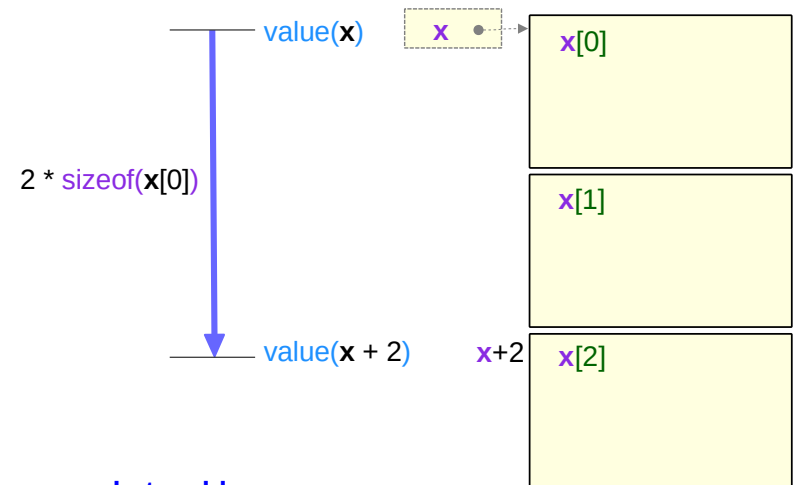


byte addresses

`int ** x = y; int * y[3];`

array variable **X**

$\text{value}(\mathbf{x + i})$       pointer addition +  
 $= \text{value}(\mathbf{x}) +_a \mathbf{i} * \text{sizeof}(\mathbf{x[0]})$       arithmetic addition  $+_a$



byte addresses

`int x[3][4];`

# Base and offset in byte address (1)

pointer variable **X**

$\text{value}(\mathbf{x} + \mathbf{i})$  pointer addition +  
 $= \text{value}(\mathbf{x}) +_{\mathbf{a}} \mathbf{i} * \text{sizeof}(*\mathbf{x})$  arithmetic addition +<sub>a</sub>  
 $= \text{value}(\mathbf{x}) + \mathbf{i} * \text{sizeof}(*\mathbf{x})$  in math expression

$\text{value}(\mathbf{X})$  may be involved  
in only arithmetic additions / subtractions,  
therefore the arithmetic addition +<sub>a</sub>  
can be replaced with the ordinary +

$= \text{value}(\mathbf{x}) +_{\mathbf{a}} \mathbf{i} * \text{sz}, \quad \text{sz} = \text{sizeof}(*\mathbf{x})$   
 $= \text{value}(\mathbf{x} + \mathbf{i})_{\text{sz}}$

array variable **X**

$\text{value}(\&\mathbf{x}[\mathbf{i}])$  pointer addition +  
 $= \text{value}(\mathbf{x}) +_{\mathbf{a}} \mathbf{i} * \text{sizeof}(\mathbf{x}[0])$  arithmetic addition +<sub>a</sub>  
 $= \text{value}(\mathbf{x}) + \mathbf{i} * \text{sizeof}(\mathbf{x}[0])$  in math expression

$= \text{value}(\mathbf{x}) +_{\mathbf{a}} \mathbf{i} * \text{sz}, \quad \text{sz} = \text{sizeof}(\mathbf{x}[0])$   
 $= \text{value}(\mathbf{x} + \mathbf{i})_{\text{sz}}$

$\text{int} ** \mathbf{x} = \mathbf{y}; \quad \text{int} * \mathbf{y}[3];$

$\text{int} \mathbf{x}[3][4];$

# Base and offset in byte address (2)

## pointer variable $\mathbf{x}$

$$\begin{aligned} & \text{value}(*(\mathbf{x} + \mathbf{i}) + \mathbf{j}) && \text{value}(\text{value}(\mathbf{x})) = \text{value}(\mathbf{x}) \\ &= \text{value}(*(\mathbf{x} + \mathbf{i})) \boxed{+_{\mathbf{a}} \mathbf{j}} * \text{sizeof}(**\mathbf{x}) \\ &= * \text{value}(\mathbf{x} + \mathbf{i}) \boxed{+_{\mathbf{a}} \mathbf{j}} * \text{sizeof}(**\mathbf{x}) \\ &= *( \text{value}(\mathbf{x}) \boxed{+_{\mathbf{a}} \mathbf{i}} * \text{sizeof}(*\mathbf{x}) ) \boxed{+_{\mathbf{a}} \mathbf{j}} * \text{sizeof}(**\mathbf{x}) \end{aligned}$$

$$\begin{aligned} &= *( \text{value}(\mathbf{x}) + \mathbf{i} * \text{sizeof}(*\mathbf{x}) ) + \mathbf{j} * \text{sizeof}(**\mathbf{x}) \\ & \text{in math expressions} \end{aligned}$$

$$\begin{aligned} &= *( \text{value}(\mathbf{x}) + \mathbf{i} * \mathbf{s1} ) + \mathbf{j} * \mathbf{s2} \\ &= (*(\mathbf{x} + \mathbf{i})_{\mathbf{s1}} + \mathbf{j})_{\mathbf{s2}} \\ & \mathbf{s1} = \text{sizeof}(*\mathbf{x}), \mathbf{s2} = \text{sizeof}(**\mathbf{x}) \end{aligned}$$

`int ** x = y; int * y[3];`

## array variable $\mathbf{x}$

$$\begin{aligned} & \text{value}(\mathbf{x}[\mathbf{i}] + \mathbf{j}) && \text{address replications} \\ &= \text{value}(\mathbf{x}[\mathbf{i}]) \boxed{+_{\mathbf{a}} \mathbf{j}} * \text{sizeof}(\mathbf{x}[\mathbf{i}][\mathbf{j}]) \\ &= *( \text{value}(\mathbf{x}) \boxed{+_{\mathbf{a}} \mathbf{i}} * \text{sizeof}(\mathbf{x}[0]) ) \boxed{+_{\mathbf{a}} \mathbf{j}} * \text{sizeof}(\mathbf{x}[0][0]) \\ &= ( \text{value}(\mathbf{x}) \boxed{+_{\mathbf{a}} \mathbf{i}} * \text{sizeof}(\mathbf{x}[0]) ) \boxed{+_{\mathbf{a}} \mathbf{j}} * \text{sizeof}(\mathbf{x}[0][0]) \end{aligned}$$

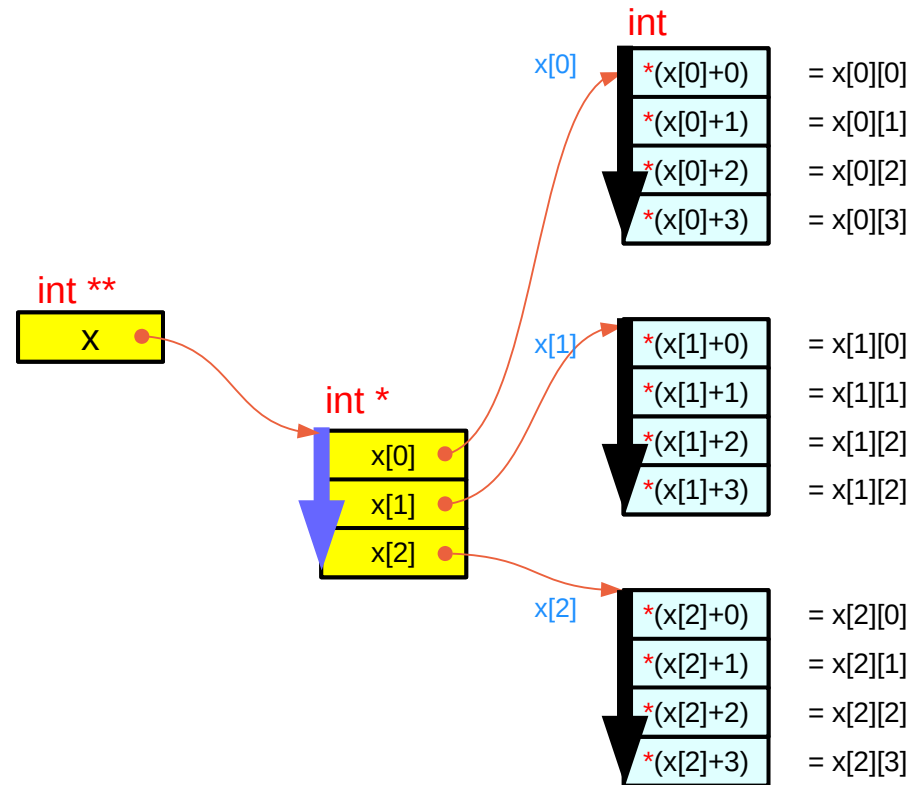
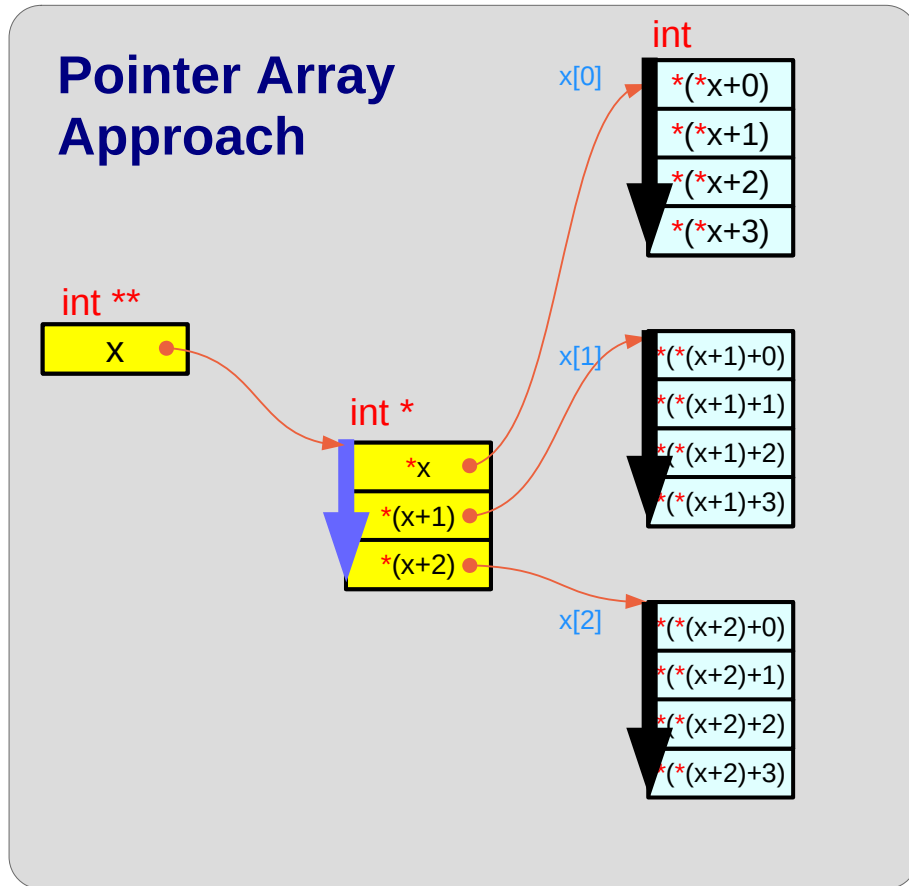
$$\begin{aligned} &= \text{value}(\mathbf{x}) + \mathbf{i} * \text{sizeof}(\mathbf{x}[0]) + \mathbf{j} * \text{sizeof}(\mathbf{x}[0][0]) \\ & \text{in math expressions} \end{aligned}$$

$$\begin{aligned} &= \text{value}(\mathbf{x}) + \mathbf{i} * \mathbf{s1} + \mathbf{j} * \mathbf{s2} \\ &= (*(\mathbf{x} + \mathbf{i})_{\mathbf{s1}} + \mathbf{j})_{\mathbf{s2}} \\ & \mathbf{s1} = \text{sizeof}(\mathbf{x}[0]), \mathbf{s2} = \text{sizeof}(\mathbf{x}[0][0]) \end{aligned}$$

`int x[3][4];`



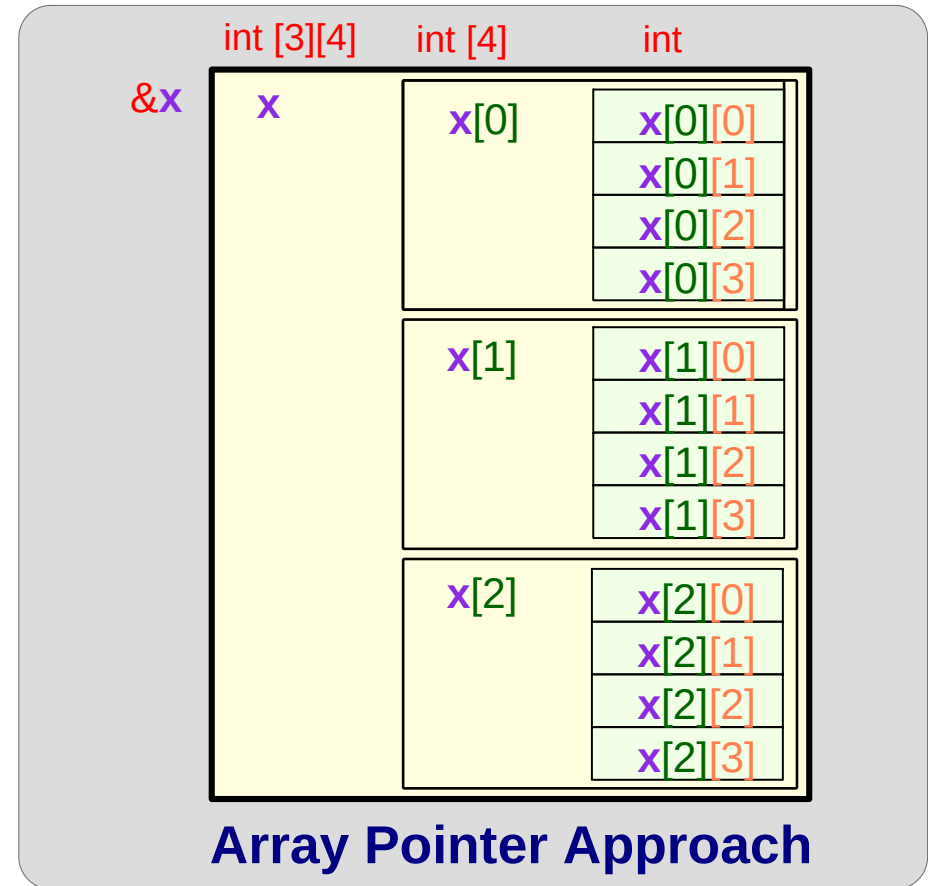
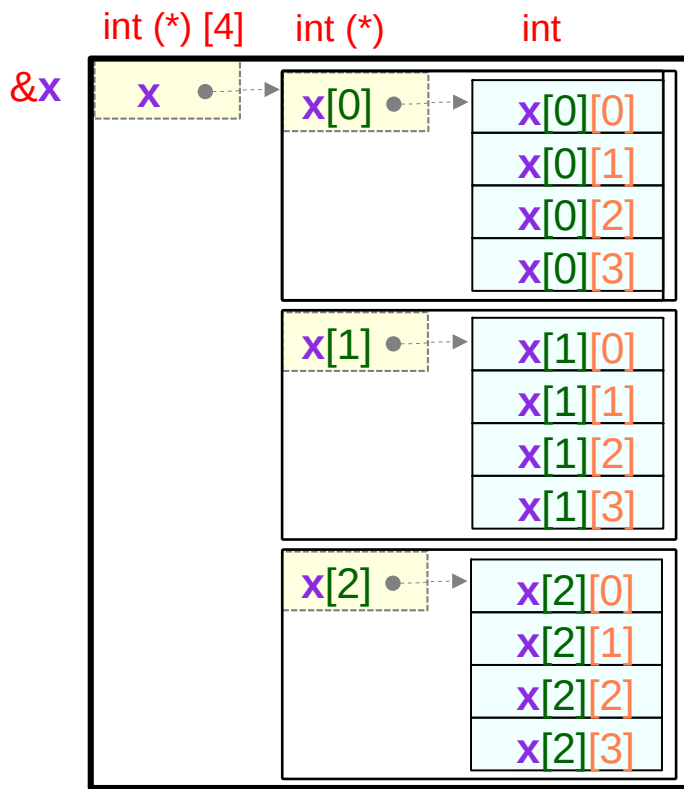
# \* into [ ] notations – Pointer Array Approach



C expression  $*(*(\mathbf{x+i})+\mathbf{j})$   $\longrightarrow$   $\mathbf{x}[\mathbf{i}][\mathbf{j}]$

Math expression  $*(*(\mathbf{x+i})_{1..4}+\mathbf{j})_{1..4}$

# \* and [ ] notations – Array Pointer Approach



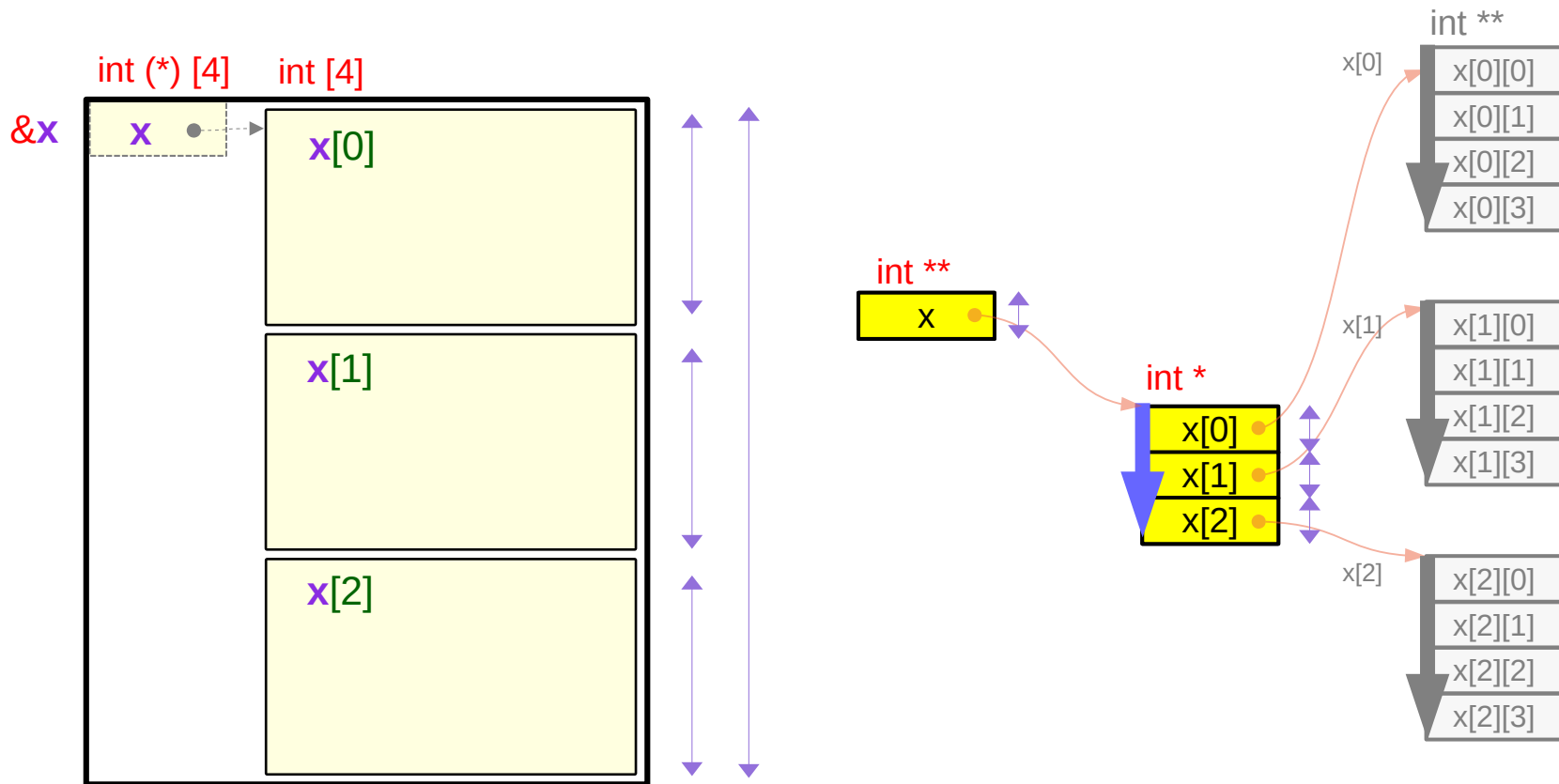
C expression  $*(*(\mathbf{x}+\mathbf{i})+\mathbf{j})$



$\mathbf{x}[\mathbf{i}][\mathbf{j}]$

Math expression  $*(*(\mathbf{x}+\mathbf{i})_{4 \cdot 4} + \mathbf{j})_{1 \cdot 4}$

# Virtual pointers vs. real pointers (1)



$\text{value}(\&\mathbf{x}) = \text{value}(\mathbf{x})$  address replications

$\text{sizeof}(\mathbf{x}) = 3 * \text{sizeof}(*\mathbf{x})$  abstract data size

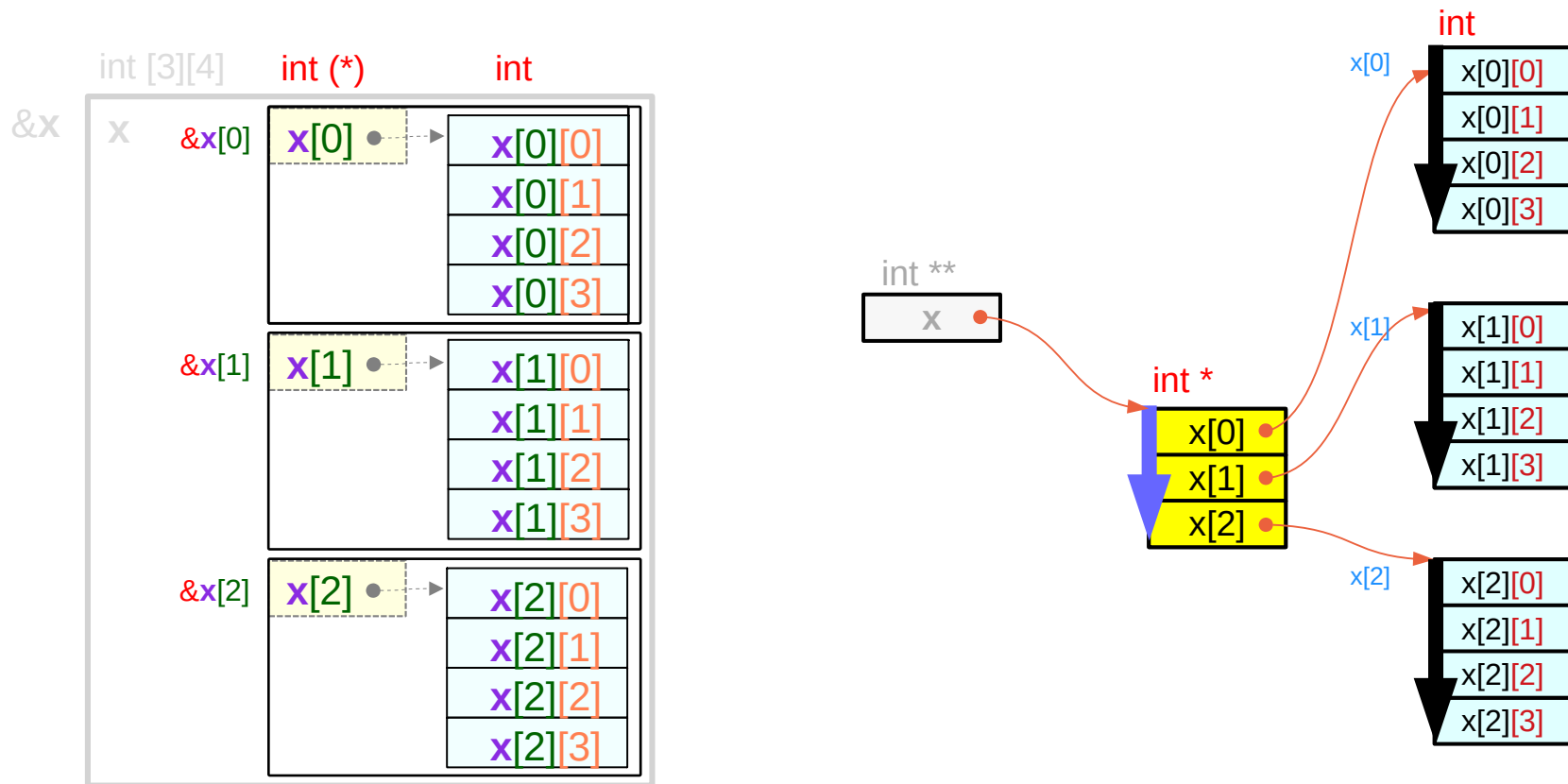
$\text{value}(\mathbf{x}+\mathbf{i}) = \text{value}(\mathbf{x}) + \mathbf{i} * \text{sizeof}(*\mathbf{x})$   
 $= \text{value}(\mathbf{x}) + \mathbf{i} * 4 * 4$  pointer arithmetic

$\text{value}(\&\mathbf{x}) \neq \text{value}(\mathbf{x})$  physical memory

$\text{sizeof}(\mathbf{x}) = \text{sizeof}(*\mathbf{x}) = 4$  pointer size

$\text{value}(\mathbf{x}+\mathbf{i}) = \text{value}(\mathbf{x}) + \mathbf{i} * \text{sizeof}(*\mathbf{x})$   
 $= \text{value}(\mathbf{x}) + \mathbf{i} * 4$  pointer arithmetic

# Virtual pointers vs. real pointers (2)



$\text{value}(\&x[i]) = \text{value}(x[i])$  address replications

$\text{sizeof}(x[i]) = 4 * \text{sizeof}(*x[i])$  abstract data size

$\text{value}(x[i]+j) = \text{value}(x[i]) + j * \text{sizeof}(*x[i])$   
 $= \text{value}(x[i]) + j * 4$  pointer arithmetic

$\text{value}(\&x[i]) \neq \text{value}(x[i])$  physical memory

$\text{sizeof}(x[i]) = \text{sizeof}(*x[i]) = 4$  pointer size

$\text{value}(x[i]+j) = \text{value}(x[i]) + j * \text{sizeof}(*x[i])$   
 $= \text{value}(x[i]) + j * 4$  pointer arithmetic

# Relaxing the outermost dimension

$p[i] \equiv *(p+i)$   
 $p[i][j] \equiv *(p[i]+j)$   
 $p[i][j][k] \equiv *(p[i][j]+k)$

$\&p[i] \equiv \text{value}(p+i)$   
 $\&p[i][j] \equiv \text{value}(p[i]+j)$   
 $\&p[i][j][k] \equiv \text{value}(p[i][j]+k)$

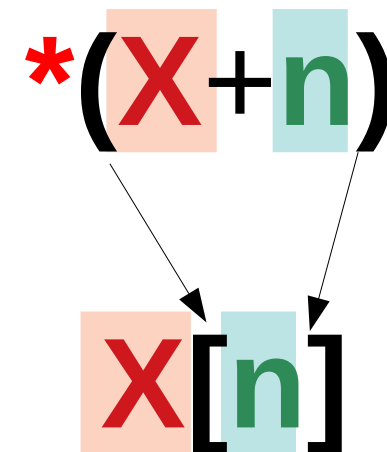
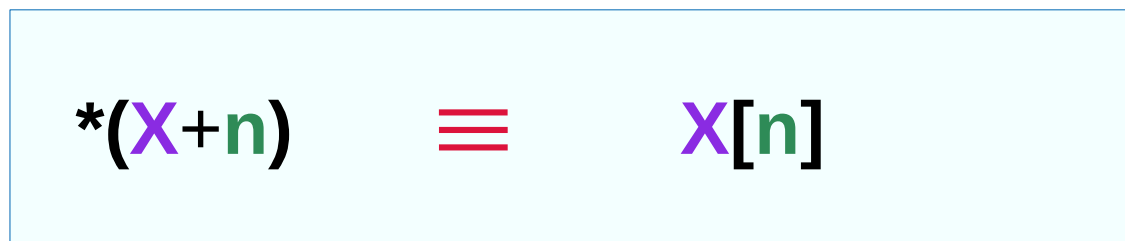
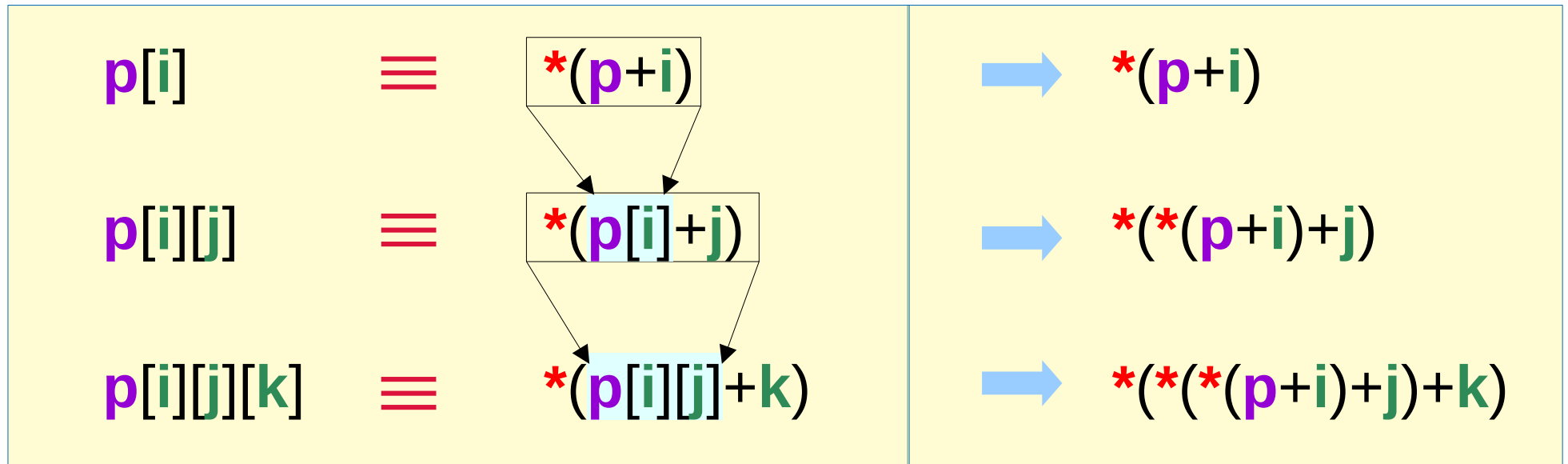
$*\text{value}(X) = *X$

$p[0] \equiv *p$   
 $p[i][0] \equiv *p[i]$   
 $p[i][j][0] \equiv *p[i][j]$

$\&p[0] \equiv \text{value}(p)$   
 $\&p[i][0] \equiv \text{value}(p[i])$   
 $\&p[i][j][0] \equiv \text{value}(p[i][j])$

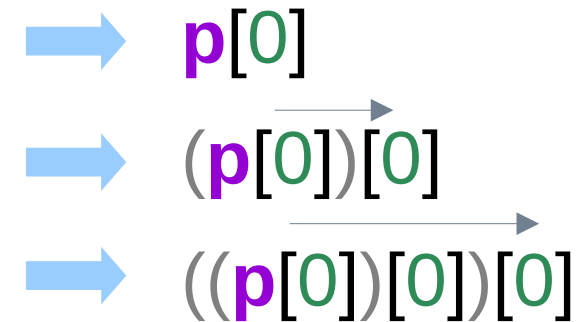
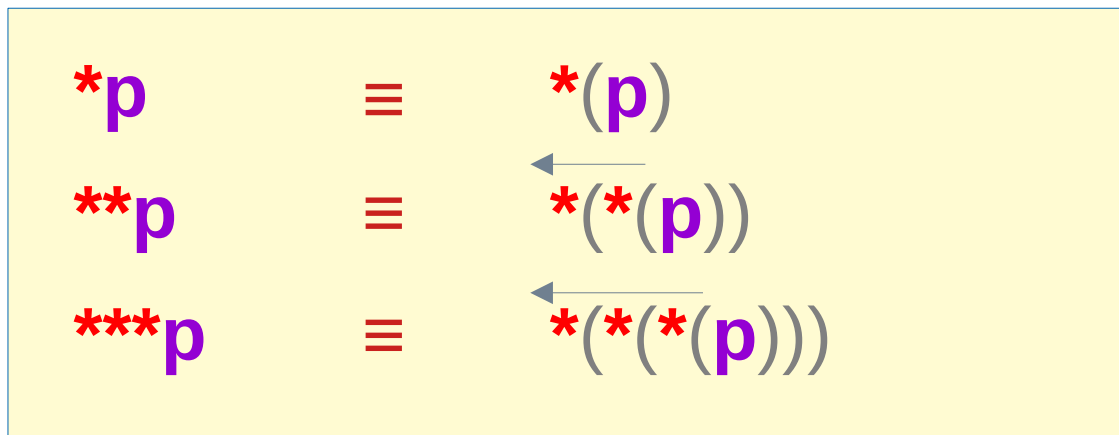
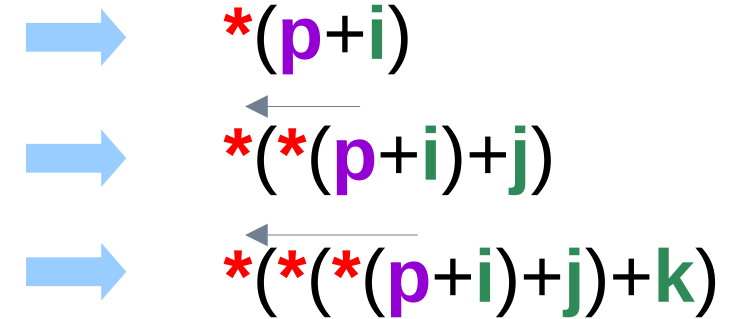
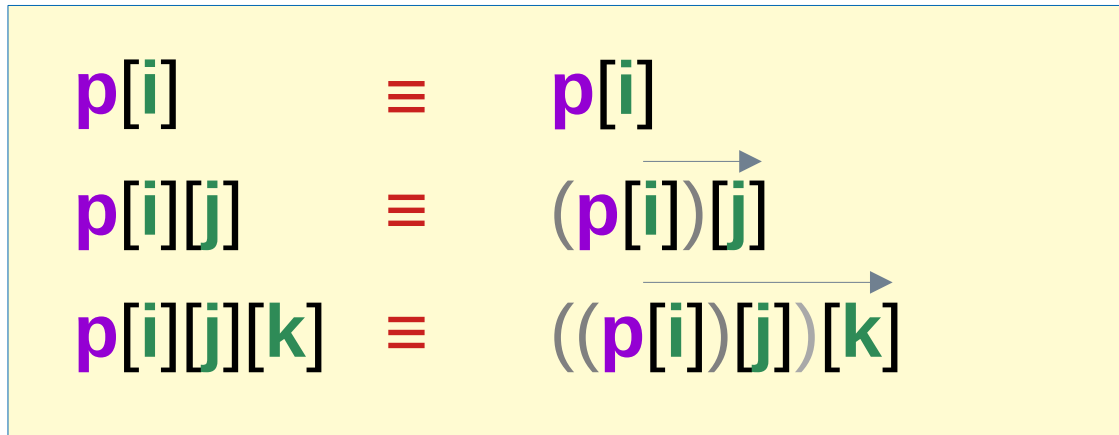
valid for proper  $i, j, k$  values

# Relaxing all the dimensions



valid for proper i, j, k values

# Left-to-right and right-to-left associative operators



# Address Calculation (1) Array Pointer Approach

```
int c [2][3][4] ;
```

```
c[i]      ≡ *(c + i)
c[i][j]   ≡ *(c[i] + j)
c[i][j][k] ≡ *(c[i][j] + k)
```

```
&c[i]     ≡ value(c + i)
&c[i][j]  ≡ value(c[i] + j)
&c[i][j][k] ≡ value(c[i][j] + k)
```

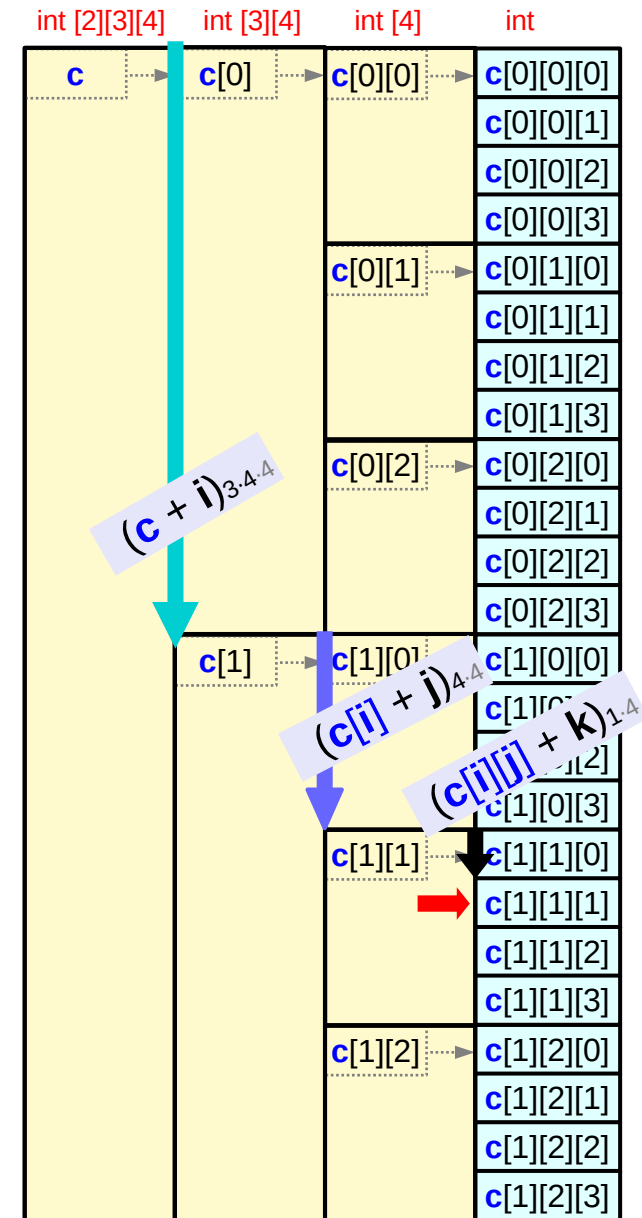
## address replication

value(c[i][j][k]) ≠ value(&c[i][j][k]) ← primitive data & address

value(c[i][j])	= value(&c[i][j])	= value(&c[i][j][0])
value(c[i])	= value(&c[i])	= value(&c[i][0][0])
value(c)	= value(&c)	= value(&c[0][0][0])

skip i elements of c  
skip j elements of c[i]  
skip k elements of c[i][j]

skip i\*3\*4 primitive elements of c  
skip j\*4 primitive elements of c  
skip k primitive elements of c





# Address Calculation (2) Pointer Array Approach

```
int ** c [2];
int *  b [2*3];
int   a [2*3*4];
```

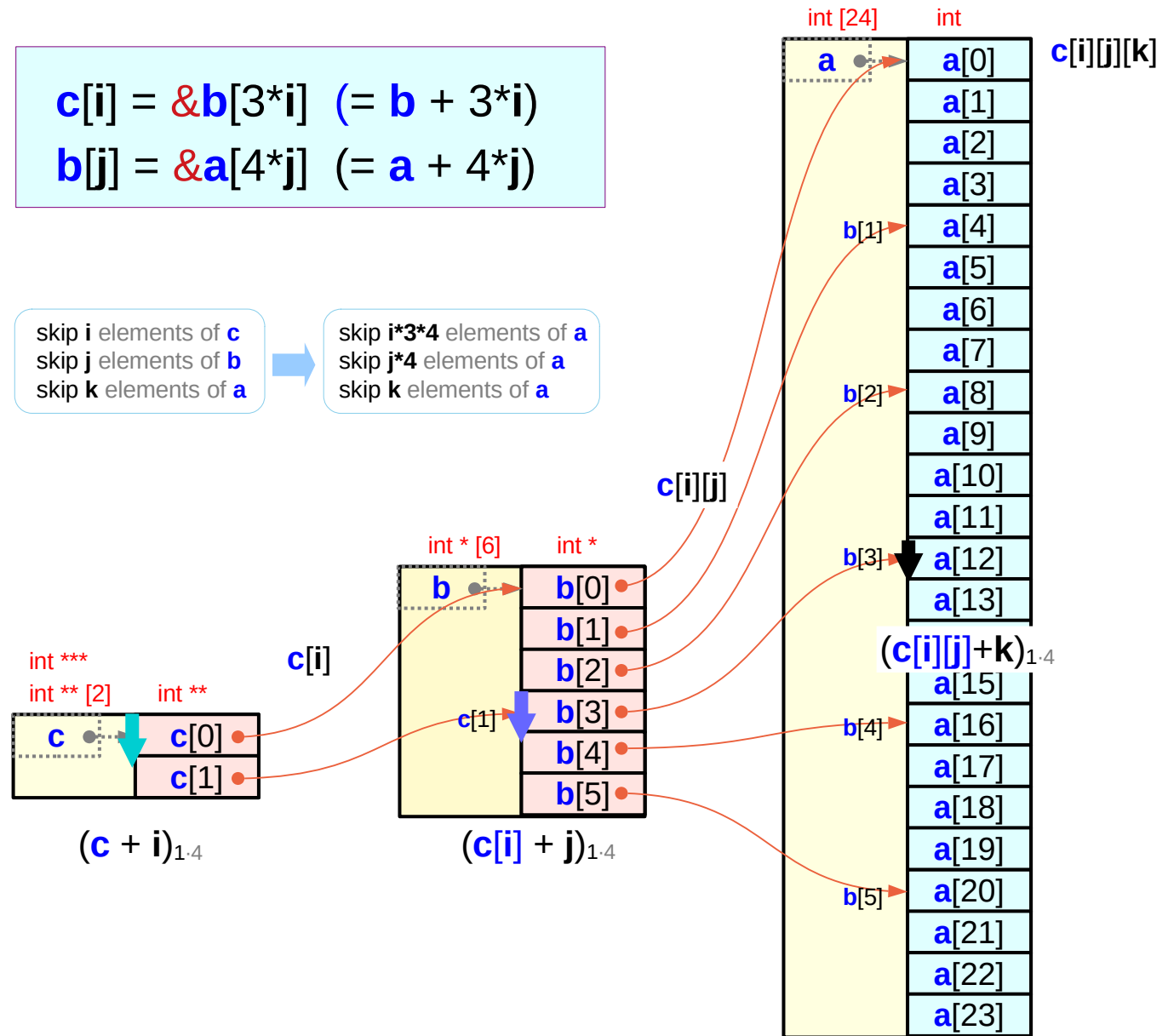
$b[j] \equiv (a+j*4)$   
 $*(b[j]+k) = *(a+j*4+k);$   
 $b[j][k] \equiv a[j*4+k]$

$c[i] \equiv (b+i*3)$   
 $*(c[i]+j) = *(b+i*3+j);$   
 $c[i][j] \equiv b[i*3+j]$

$c[i][j] \equiv (a+(i*3+j)*4)$   
 $*(c[i][j]+k) = *(a+(i*3+j)*4+k);$   
 $c[i][j][k] \equiv a[(i*3+j)*4+k]$

$c[i] = \&b[3*i] \quad (= b + 3*i)$   
 $b[j] = \&a[4*j] \quad (= a + 4*j)$

skip  $i$  elements of  $c$  → skip  $i*3*4$  elements of  $a$   
 skip  $j$  elements of  $b$  → skip  $j*4$  elements of  $a$   
 skip  $k$  elements of  $a$

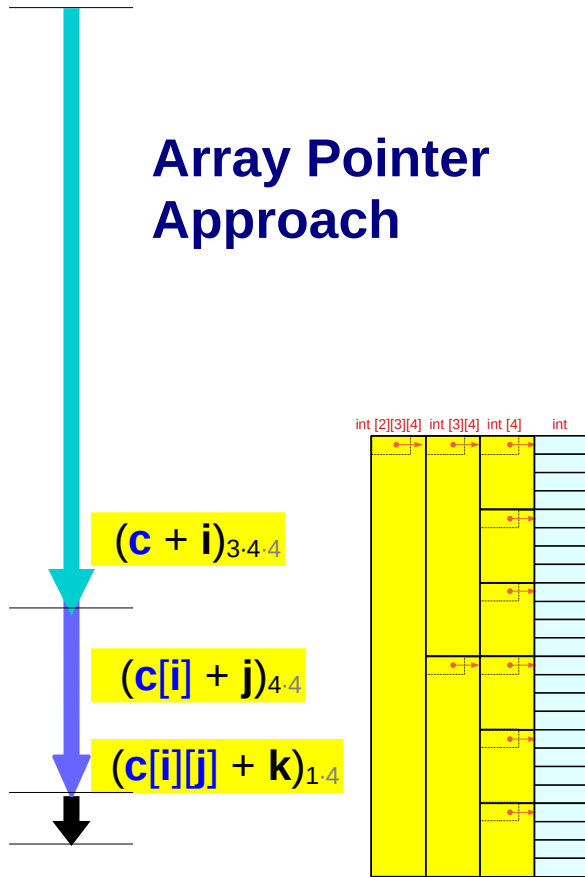


# Address Calculation (3)

$$\begin{aligned} \text{value}(\mathbf{c} + \mathbf{i}) &= \text{value}(\mathbf{c}) + \mathbf{i} * 3 * 4 * 4 \\ \text{value}(\mathbf{c}[\mathbf{i}] + \mathbf{j}) &= \text{value}(\mathbf{c}[\mathbf{i}]) + \mathbf{j} * 4 * 4 \\ \text{value}(\mathbf{c}[\mathbf{i}][\mathbf{j}] + \mathbf{k}) &= \text{value}(\mathbf{c}[\mathbf{i}][\mathbf{j}]) + \mathbf{k} * 4 \end{aligned}$$

$$\begin{aligned} \text{value}(\mathbf{c} + \mathbf{i}) &= \text{value}(\mathbf{c}) + \mathbf{i} * \text{sizeof}(*\mathbf{c}) \\ \text{value}(\mathbf{c}[\mathbf{i}] + \mathbf{j}) &= \text{value}(\mathbf{c}[\mathbf{i}]) + \mathbf{j} * \text{sizeof}(*\mathbf{c}[\mathbf{i}]) \\ \text{value}(\mathbf{c}[\mathbf{i}][\mathbf{j}] + \mathbf{k}) &= \text{value}(\mathbf{c}[\mathbf{i}][\mathbf{j}]) + \mathbf{k} * \text{sizeof}(*\mathbf{c}[\mathbf{i}][\mathbf{j}]) \end{aligned}$$

## Array Pointer Approach



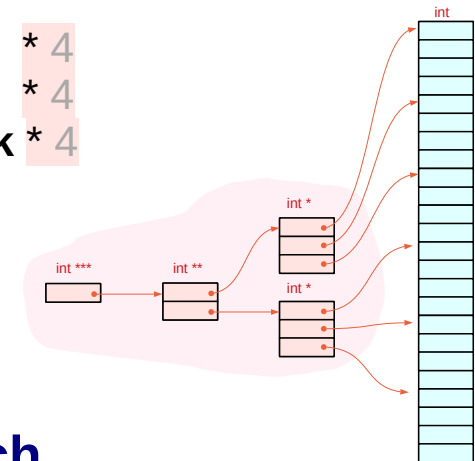
$$\begin{aligned} \mathbf{c}[\mathbf{i}] &\equiv *(\mathbf{c} + \mathbf{i}) \\ \mathbf{c}[\mathbf{i}][\mathbf{j}] &\equiv *(\mathbf{c}[\mathbf{i}] + \mathbf{j}) \\ \mathbf{c}[\mathbf{i}][\mathbf{j}][\mathbf{k}] &\equiv *(\mathbf{c}[\mathbf{i}][\mathbf{j}] + \mathbf{k}) \end{aligned}$$

$$\begin{aligned} \&\mathbf{c}[\mathbf{i}] &\equiv \text{value}(\mathbf{c} + \mathbf{i}) \\ \&\mathbf{c}[\mathbf{i}][\mathbf{j}] &\equiv \text{value}(\mathbf{c}[\mathbf{i}] + \mathbf{j}) \\ \&\mathbf{c}[\mathbf{i}][\mathbf{j}][\mathbf{k}] &\equiv \text{value}(\mathbf{c}[\mathbf{i}][\mathbf{j}] + \mathbf{k}) \end{aligned}$$

$$\begin{aligned} \text{value}(\mathbf{c} + \mathbf{i}) &= \text{value}(\mathbf{c}) + \mathbf{i} * 4 \\ \text{value}(\mathbf{c}[\mathbf{i}] + \mathbf{j}) &= \text{value}(\mathbf{c}[\mathbf{i}]) + \mathbf{j} * 4 \\ \text{value}(\mathbf{c}[\mathbf{i}][\mathbf{j}] + \mathbf{k}) &= \text{value}(\mathbf{c}[\mathbf{i}][\mathbf{j}]) + \mathbf{k} * 4 \end{aligned}$$

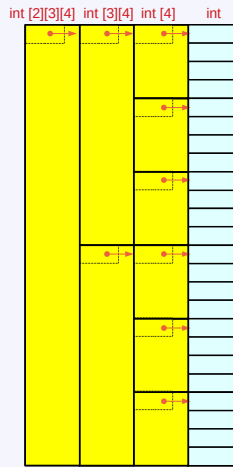
$$(\mathbf{c} + \mathbf{i})_{1 \cdot 4} \quad (\mathbf{c}[\mathbf{i}] + \mathbf{j})_{1 \cdot 4} \quad (\mathbf{c}[\mathbf{i}][\mathbf{j}] + \mathbf{k})_{1 \cdot 4}$$

## Pointer Array Approach



# Sub-array Values – Array Pointer Approach (1)

`int p[L][M][N]`



**Array Pointer Approach**

from `p`, skip  
`i·M·N` integers

$$\begin{aligned} \&p[i] &= \text{value}(p + i)_{M \cdot N \cdot 4} \\ &= \text{value}(p) + i * M \cdot N \cdot 4 \end{aligned}$$

from `p[i]`, skip  
`j·N` integers

$$\begin{aligned} \&p[i][j] &= \text{value}(p[i] + j)_{N \cdot 4} \\ &= \text{value}(p[i]) + j * N \cdot 4 \end{aligned}$$

from `p[i][j]`, skip  
`k` integers

$$\begin{aligned} \&p[i][j][k] &= \text{value}(p[i][j] + k)_{1 \cdot 4} \\ &= \text{value}(p[i][j]) + k * 1 \cdot 4 \end{aligned}$$

`p[i]` → `*(p+i)`

`p[i][j]` → `*(*(p+i)+j)`

`p[i][j][k]` → `*(***(p+i)+j)+k)`

*address replications*

$$\text{value}(p[i]) = \&p[i] = \text{value}(p + i)$$

$$\text{value}(p[i][j]) = \&p[i][j] = \text{value}(p[i] + j)$$

$$\text{value}(p[i][j][k]) \neq \&p[i][j][k] = \text{value}(p[i][j] + k)$$

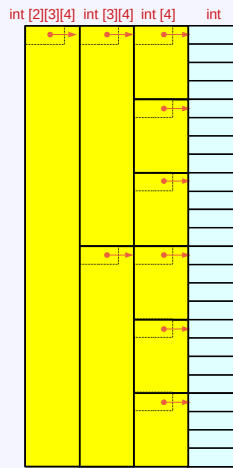
$$\&p[i][j][k] = \text{value}(p) + i * M \cdot N \cdot 4 + j * N \cdot 4 + k * 4$$

$$p[i][j][k] = *( \text{value}(p) + i * M \cdot N \cdot 4 + j * N \cdot 4 + k * 4 )$$

# Sub-array Values – Array Pointer Approach (2)

**int p[L][M][N]**

**Array Pointer Approach**



*address replications*

$$\text{value}(p[i]) = \&p[i] = \text{value}(p + i)$$

$$\text{value}(p[i][j]) = \&p[i][j] = \text{value}(p[i] + j)$$

$$\text{value}(p[i][j][k]) \neq \&p[i][j][k] = \text{value}(p[i][j] + k)$$

$$\&p[i][j][k] = \text{value}(p) + i * M * N * 4 + j * N * 4 + k * 4$$

$$p[i][j][k] = *(\text{value}(p) + i * M * N * 4 + j * N * 4 + k * 4)$$

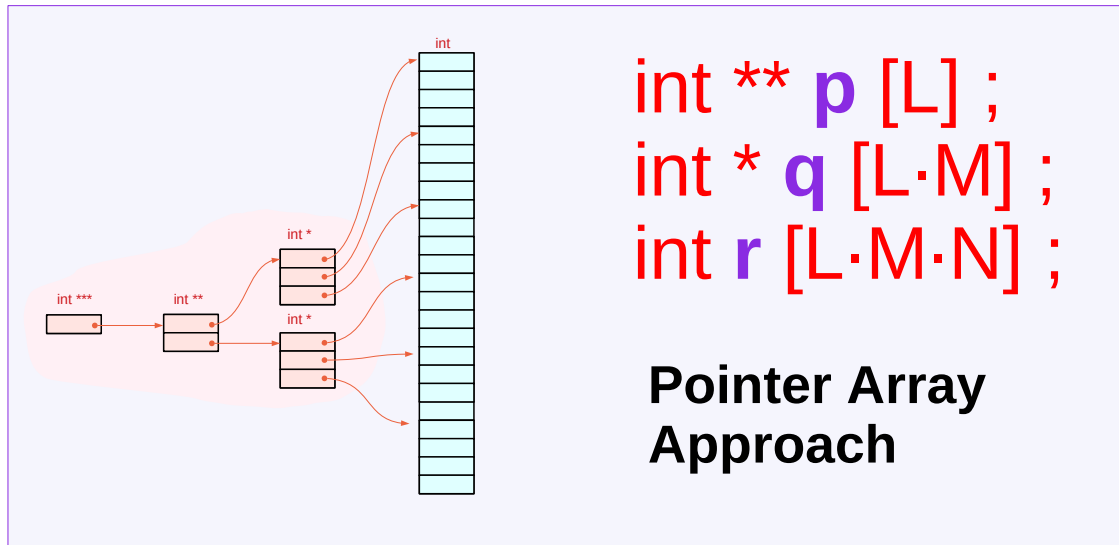
abstract data **int [3][4]**  $\text{value}(p[i]) = \&p[i] = \text{value}(p + i)$  **int (\*)[3][4]** virtual pointer

abstract data **int [4]**  $\text{value}(p[i][j]) = \&p[i][j] = \text{value}(p[i] + j)$  **int (\*)[4]** virtual pointer

primitive data **int**  $\text{value}(p[i][j][k]) \neq \&p[i][j][k] = \text{value}(p[i][j] + k)$  **int (\*)** virtual pointer

$$p[i][j][k] = *value(*value(*value(p+i)+j)+k) \xrightarrow{\text{address replications}} = \text{value}(\text{value}(\text{value}(p + i)_{3 \cdot 4 \cdot 4} + j)_{4 \cdot 4} + k)_4 = \text{value}(p + i * 3 \cdot 4 \cdot 4 + j * 4 \cdot 4 + k * 4)$$

# Sub-array Values – Pointer Array Approach (1)



skip  $i$  pointers  
from  $p$

$$\begin{aligned} \&p[i] &= \text{value}(p + i)_{1..4} \\ &= \text{value}(p) + i * 4 \end{aligned}$$

skip  $j$  pointers  
from  $p[i]$

$$\begin{aligned} \&p[i][j] &= \text{value}(p[i] + j)_{1..4} \\ &= \text{value}(p[i]) + j * 4 \end{aligned}$$

skip  $k$  integers  
from  $p[i][j]$

$$\begin{aligned} \&p[i][j][k] &= \text{value}(p[i][j] + k)_{1..4} \\ &= \text{value}(p[i][j]) + k * 4 \end{aligned}$$

## address dereferences

$$*\text{value}(p + i) = *(&p[i]) = \text{value}(p[i])$$

$$*\text{value}(p[i] + j) = *(&p[i][j]) = \text{value}(p[i][j])$$

$$*\text{value}(p[i][j] + k) = *(&p[i][j][k]) = \text{value}(p[i][j][k])$$

$$p[i][j][k] = *\text{value}(*\text{value}(*(\text{value}(p) + i*4) + j*4) + k*4)$$

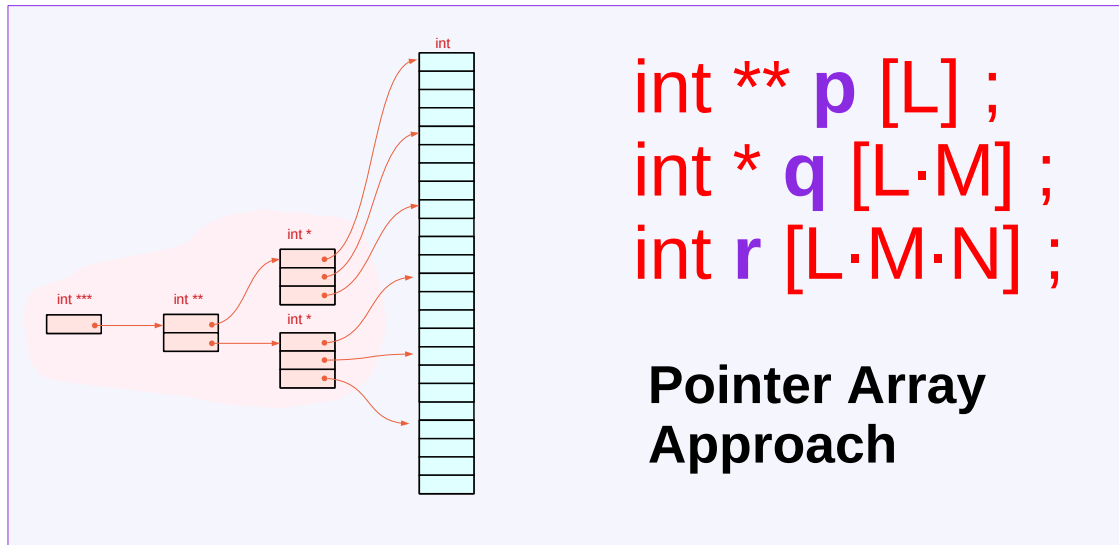
$$\&p[i][j][k] = \text{value}(*\text{value}(*(\text{value}(p) + i*4) + j*4) + k*4)$$

$$p[i] \quad \longleftarrow \quad *(p+i)$$

$$p[i][j] \quad \longleftarrow \quad *(*p+i)+j$$

$$p[i][j][k] \quad \longleftarrow \quad *(*(*p+i)+j)+k$$

# Sub-array Values – Pointer Array Approach (2)



```
int ** p [L];
int * q [L·M];
int r [L·M·N];
```

## address dereferences

$$*value(p + i) = *(&p[i]) = value(p[i])$$

$$*value(p[i] + j) = *(&p[i][j]) = value(p[i][j])$$

$$*value(p[i][j] + k) = *(&p[i][j][k]) = value(p[i][j][k])$$

$$\&p[i][j][k] = value(*value(*value(p) + i*4) + j*4) + k*4)$$

$$p[i][j][k] = *value(*value(*value(p) + i*4) + j*4) + k*4)$$

pointer data    **int \*\*\***     $*value(p + i)$     =  $*(&p[i])$     =  $value(p[i])$     **int \*\***    double pointer

pointer data    **int \*\***     $*value(p[i] + j)$     =  $*(&p[i][j])$     =  $value(p[i][j])$     **int \***    int pointer

primitive data    **int \***     $*value(p[i][j] + k)$     =  $*(&p[i][j][k])$     =  $value(p[i][j][k])$     **int**    integer

$$p[i][j][k] = *value(*value(*value(p+i)+j)+k) \xrightarrow{\text{address dereferences}} \begin{aligned} &= *value(*value(*value(p) + i)_4 + j)_4 + k)_4 \\ &= *value(*value(*value(p) + i * 4) + j * 4) + k * 4) \end{aligned}$$

# Subscript [ ] and dereference \* notations (1a)

$$\begin{aligned} p[i][j][k] = *value(*value(*value(p + i) + j) + k) &\xrightarrow[\text{address}]{\text{replications}} = value(value(value(p + i)_{3 \cdot 4 \cdot 4} + j)_{4 \cdot 4} + k)_4 \\ &= value(value((value(p) + i * 3 \cdot 4 \cdot 4) + j)_{4 \cdot 4} + k)_4 \\ &= value((value(p) + i * 3 \cdot 4 \cdot 4 + j * 4 \cdot 4) + k)_4 \\ &= (value(p) + i * 3 \cdot 4 \cdot 4 + j * 4 \cdot 4 + k * 4) \end{aligned}$$

$$\begin{aligned} p[i][j][k] = *value(*value(*value(p + i) + j) + k) &\xrightarrow{\quad} = *value(*value(*value(p + i)_4 + j)_4 + k)_4 \\ &= *value(*value(*(value(p) + i * 4) + j)_4 + k)_4 \\ &= *value(*value(*(value(p) + i * 4) + j * 4) + k)_4 \\ &= *value(*value(*(value(p) + i * 4) + j * 4) + k * 4) \end{aligned}$$

# Subscript [ ] and dereference \* notations (2)

$p[i] \equiv *(p+i)$   
 $p[i][j] \equiv *(*p+i)+j$   
 $p[i][j][k] \equiv *(*(*p+i)+j)+k$

C Expressions

$\&p[i] \equiv \text{value}(p+i)$   
 $\&p[i][j] \equiv \text{value}(*p+i)+j$   
 $\&p[i][j][k] \equiv \text{value}(*(*p+i)+j)+k$

C Expressions

`int p [L][M][N] ;`

$\text{value}(\&X) = \text{value}(X)$  (address replication)

$p[i] \longrightarrow *(p+i)_{M \cdot N \cdot 4}$   
 $p[i][j] \longrightarrow *(*p+i)_{M \cdot N \cdot 4} + j)_{N \cdot 4}$   
 $p[i][j][k] \longrightarrow *(*(*p+i)_{M \cdot N \cdot 4} + j)_{N \cdot 4} + k)_{1 \cdot 4}$

Math Expressions

$\&p[i] \longrightarrow \text{value}(p+i)_{M \cdot N \cdot 4}$   
 $\&p[i][j] \longrightarrow \text{value}((p+i)_{M \cdot N \cdot 4} + j)_{N \cdot 4}$   
 $\&p[i][j][k] \longrightarrow \text{value}(((p+i)_{M \cdot N \cdot 4} + j)_{N \cdot 4} + k)_{1 \cdot 4}$

Math Expressions

`int ** p[L], * q[L·M], r[L·M·N] ;`

$*\text{value}(X) = *X$

$p[i] \longrightarrow *(p+i)_{1 \cdot 4}$   
 $p[i][j] \longrightarrow *(*p+i)_{1 \cdot 4} + j)_{1 \cdot 4}$   
 $p[i][j][k] \longrightarrow *(*(*p+i)_{1 \cdot 4} + j)_{1 \cdot 4} + k)_{1 \cdot 4}$

Math Expressions

$\&p[i] \longrightarrow \text{value}(p+i)_{1 \cdot 4}$   
 $\&p[i][j] \longrightarrow \text{value}(*p+i)_{1 \cdot 4} + j)_{1 \cdot 4}$   
 $\&p[i][j][k] \longrightarrow \text{value}(*(*p+i)_{1 \cdot 4} + j)_{1 \cdot 4} + k)_{1 \cdot 4}$

Math Expressions



# Subscript [ ] and dereference \* notations (3)

`int p [L][M][N] ;`

$\text{value}(\&X) = \text{value}(X)$  (address replication)

$$\begin{aligned} \&p[i] &= \text{value}((p + i)_{M \cdot N \cdot 4}) = \text{value}(p + i * M \cdot N \cdot 4) \\ \&p[i][j] &= \text{value}((p[i] + j)_{N \cdot 4}) = \text{value}(p[i] + j * N \cdot 4) \\ \&p[i][j][k] &= \text{value}((p[i][j] + k)_{1 \cdot 4}) = \text{value}(p[i][j] + k * 1 \cdot 4) \\ &= \text{value}(p + i * M \cdot N \cdot 4 + j * N \cdot 4 + k * 4) \end{aligned}$$

$$\begin{aligned} \&p[i] &\longrightarrow \text{value}(p+i)_{M \cdot N \cdot 4} \\ \&p[i][j] &\longrightarrow \text{value}((p+i)_{M \cdot N \cdot 4} + j)_{N \cdot 4} \\ \&p[i][j][k] &\longrightarrow \text{value}(((p+i)_{M \cdot N \cdot 4} + j)_{N \cdot 4} + k)_{1 \cdot 4} \end{aligned}$$

Math Expressions

`int ** p[L], * q[L·M], r[L·M·N] ;`

$*\text{value}(X) = *X$

$$\begin{aligned} \&p[i] &= \text{value}(p + i)_{1 \cdot 4} = \text{value}(p + i * 1 \cdot 4) \\ \&p[i][j] &= \text{value}(p[i] + j)_{1 \cdot 4} = \text{value}(p[i] + j * 1 \cdot 4) \\ \&p[i][j][k] &= \text{value}(p[i][j] + k)_{1 \cdot 4} = \text{value}(p[i][j] + k * 1 \cdot 4) \\ &= \text{value}(*\text{value}(*\text{value}(p + i * 4) + j * 4) + k * 4) \end{aligned}$$

$$\begin{aligned} \&p[i] &\longrightarrow \text{value}(p+i)_{1 \cdot 4} \\ \&p[i][j] &\longrightarrow \text{value}(*(p+i)_{1 \cdot 4} + j)_{1 \cdot 4} \\ \&p[i][j][k] &\longrightarrow \text{value}(*( *(p+i)_{1 \cdot 4} + j)_{1 \cdot 4} + k)_{1 \cdot 4} \end{aligned}$$

Math Expressions

# Operator Precedence

Precedence	Operator	Description	Associativity
1	++ -- () [] . -> (type){list}	Suffix/postfix increment and decrement Function call <b>Array subscripting</b> Structure and union member access member access through pointer Compound literal(C99)	Left-to-right  (((x[m])[n])[p])  —————→
2	++ -- + - ! ~ (type) * & sizeof _Alignof	Prefix increment and decrement Unary plus and minus Logical NOT and bitwise NOT Type cast <b>Indirection (dereference)</b> Address-of Size-of Alignment requirement(C11)	Right-to-left    *( *(* (*X)))  ←—————

[https://en.cppreference.com/w/c/language/operator\\_precedence](https://en.cppreference.com/w/c/language/operator_precedence)

# Limitations

---

No index Range Checking

Array Size must be a constant expression

Variable Array Size

Arrays cannot be Copied or Compared

Aggregate Initialization and Global Arrays

Precedence Rule

Index Type Must be Integral

# References

- [1] Essential C, Nick Parlante
- [2] Efficient C Programming, Mark A. Weiss
- [3] C A Reference Manual, Samuel P. Harbison & Guy L. Steele Jr.
- [4] C Language Express, I. K. Chun
- [5] <https://pdos.csail.mit.edu/6.828/2008/readings/pointers.pdf>