

BJT Amplifier

Common Emitter Amp (H.11)

20170204

Copyright (c) 2016 - 2017 Young W. Lim.

Permission is granted to copy, distribute and/or modify this document under the terms of the GNU Free Documentation License, Version 1.2 or any later version published by the Free Software Foundation; with no Invariant Sections, no Front-Cover Texts, and no Back-Cover Texts. A copy of the license is included in the section entitled "GNU Free Documentation License".

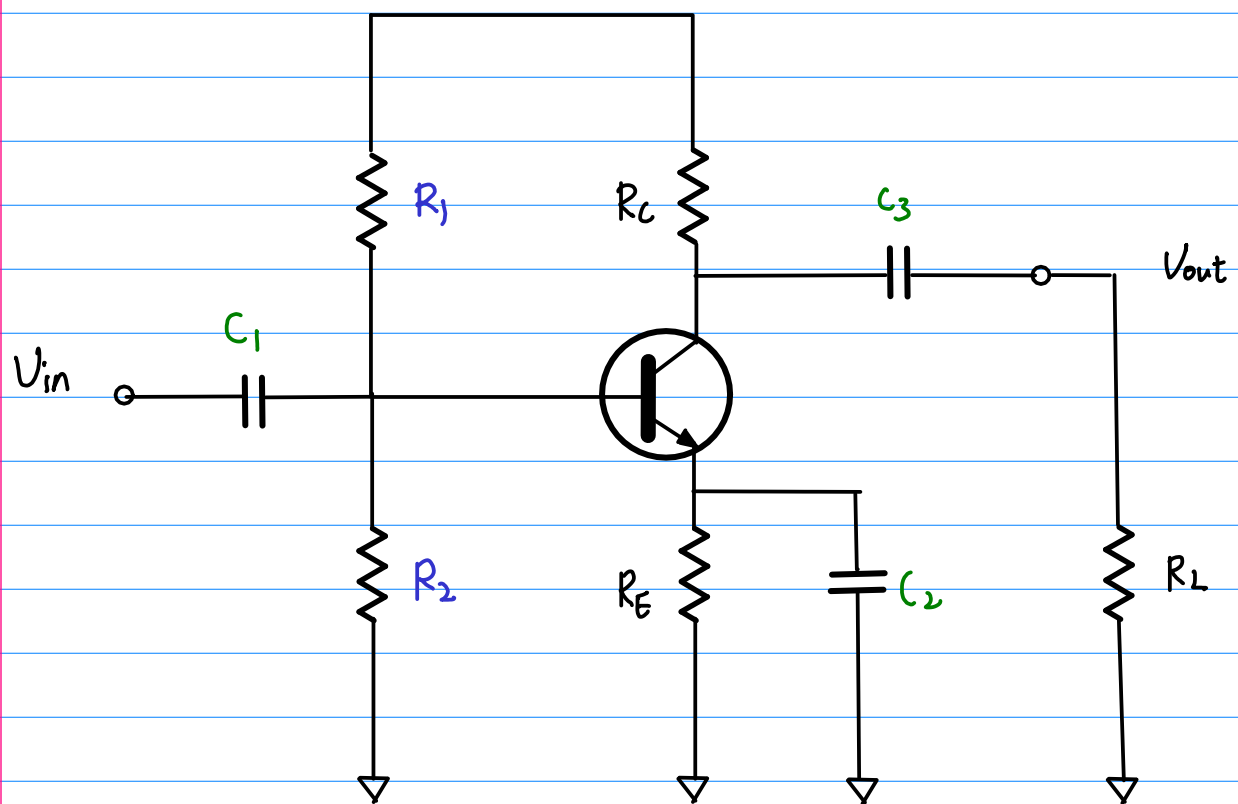
References

Based

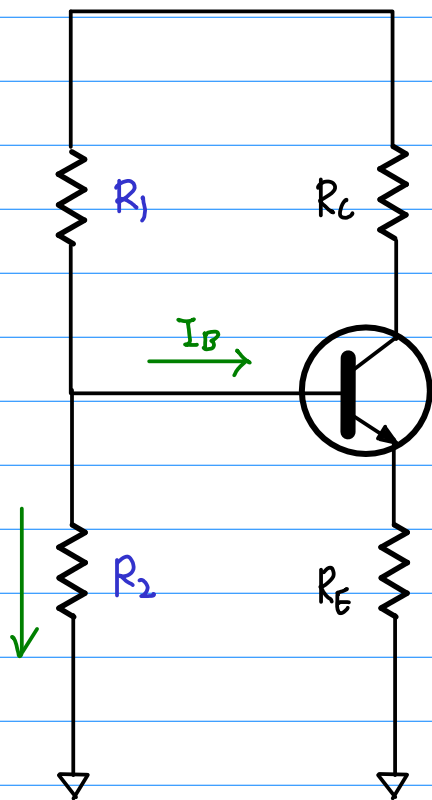
[1] Floyd, Electronic Devices 7th ed

[2] Cook,

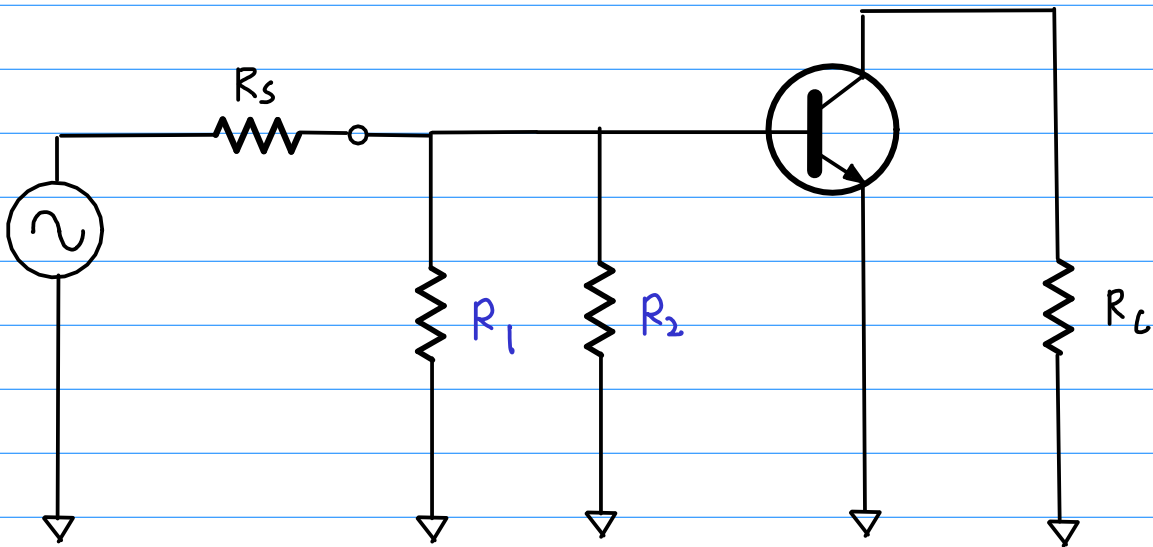
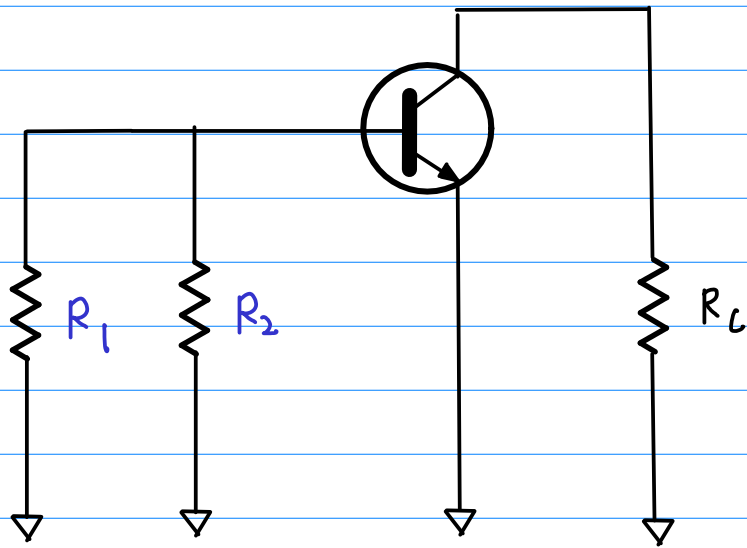
[2] en.wikipedia.org



DC Analysis



AC Equivalent Circuit



$$\left(\frac{1}{\beta_{DC}} + R_C \right) I_C = V_{CC} - V_{BE}$$

$$I_C = \frac{V_{CC} - V_{BE}}{R_C + R_B / \beta_{DC}}$$







