

BJT Amplifier Overview (H.9)

20170125

Copyright (c) 2016 - 2017 Young W. Lim.

Permission is granted to copy, distribute and/or modify this document under the terms of the GNU Free Documentation License, Version 1.2 or any later version published by the Free Software Foundation; with no Invariant Sections, no Front-Cover Texts, and no Back-Cover Texts. A copy of the license is included in the section entitled "GNU Free Documentation License".

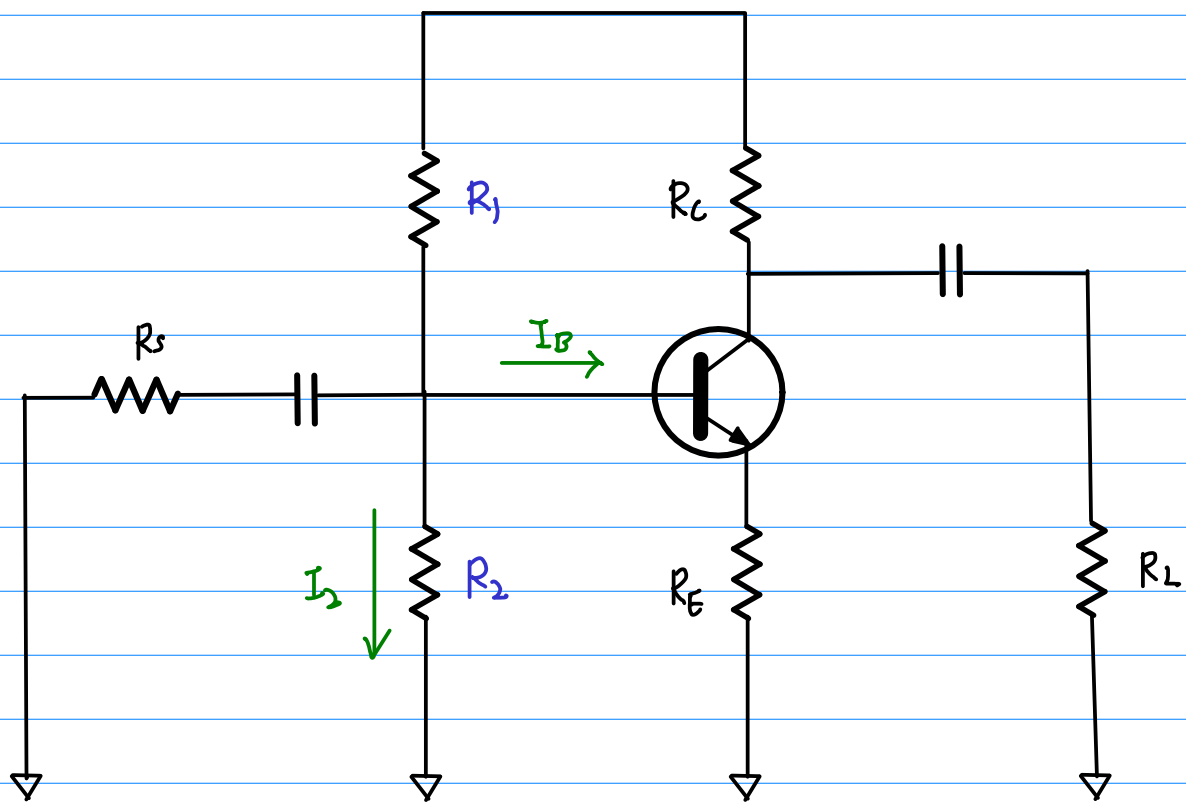
References

Based

[1] Floyd, Electronic Devices 7th ed

[2] Cook,

[2] en.wikipedia.org



I_C	I_c	i_c
I_E	I_e	i_e
I_B	I_b	i_b
V_{CE}	V_{ce}	v_{ce}

$$\left(\frac{1}{\beta_{DC}} + R_C \right) I_C - V_{CC} - V_{BE}$$

$$I_C = \frac{V_{CC} - V_{BE}}{R_C + R_B / \beta_{DC}}$$







