

FlipFlop Timing (3D)

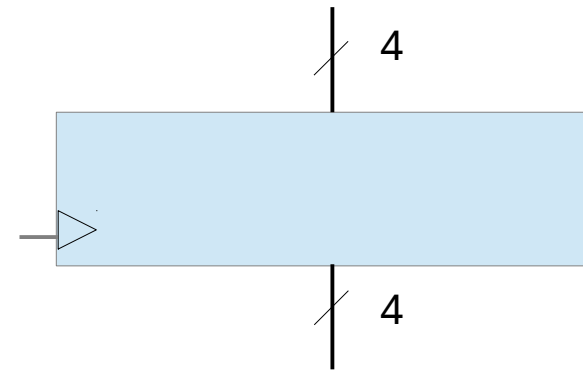
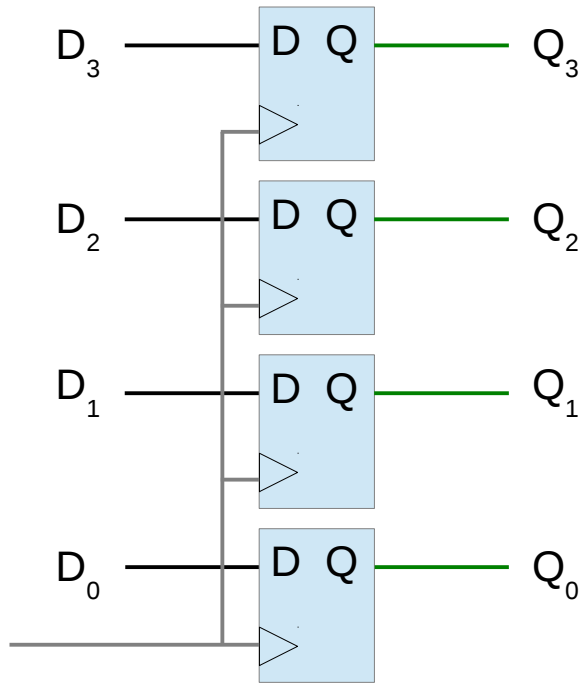
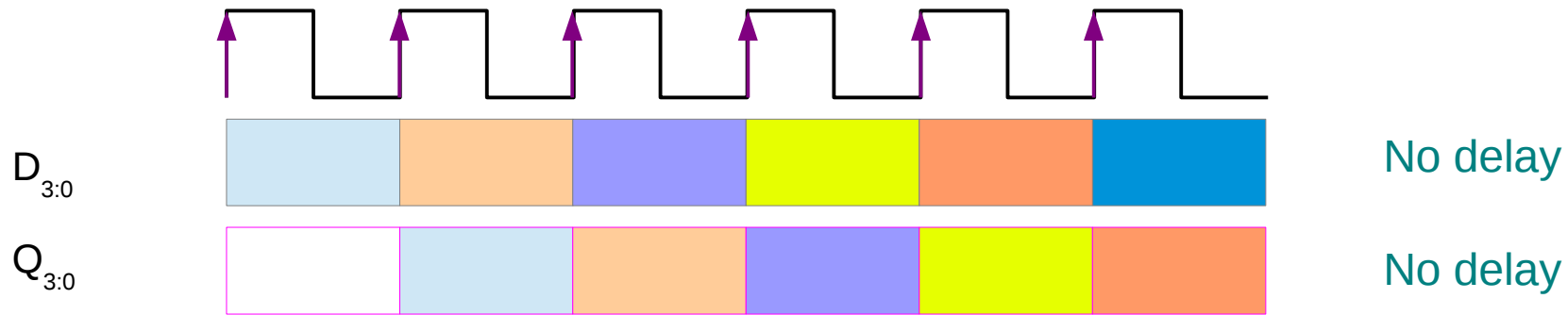
Copyright (c) 2011-2013 Young W. Lim.

Permission is granted to copy, distribute and/or modify this document under the terms of the GNU Free Documentation License, Version 1.2 or any later version published by the Free Software Foundation; with no Invariant Sections, no Front-Cover Texts, and no Back-Cover Texts. A copy of the license is included in the section entitled "GNU Free Documentation License".

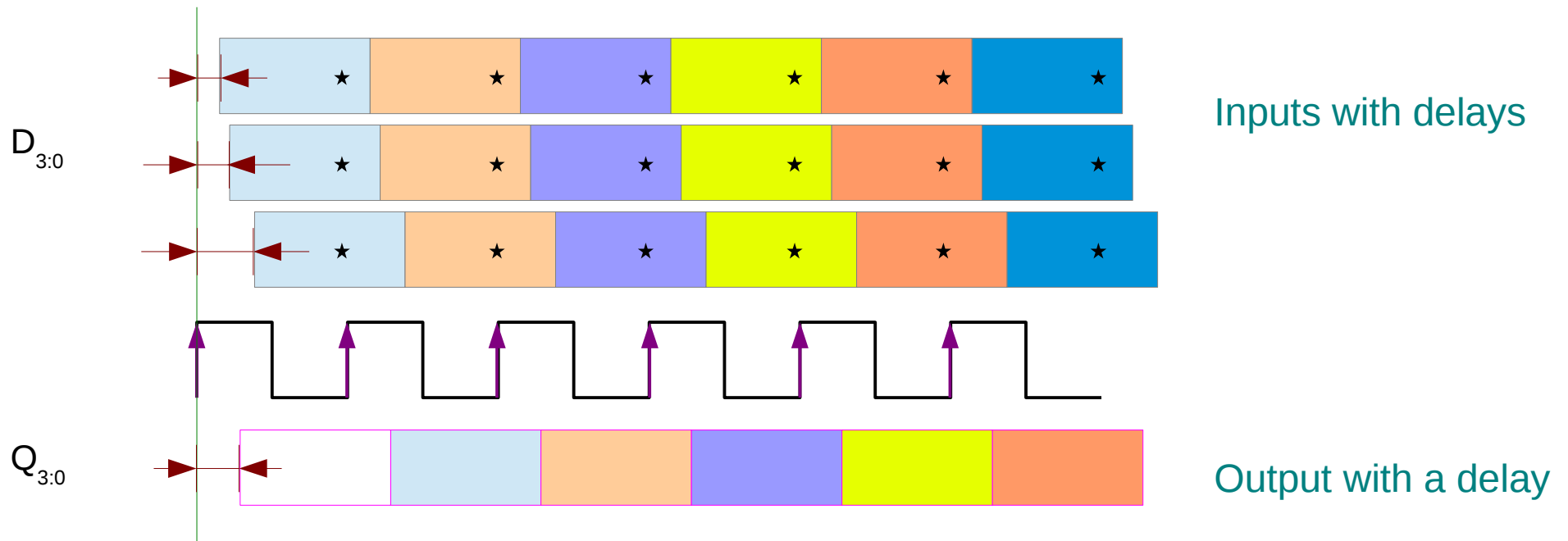
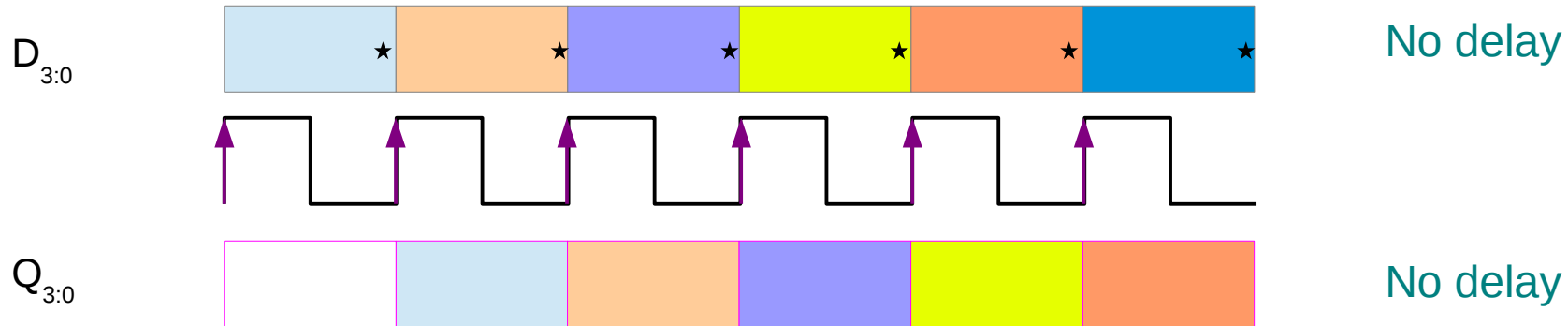
Please send corrections (or suggestions) to youngwlim@hotmail.com.

This document was produced by using OpenOffice and Octave.

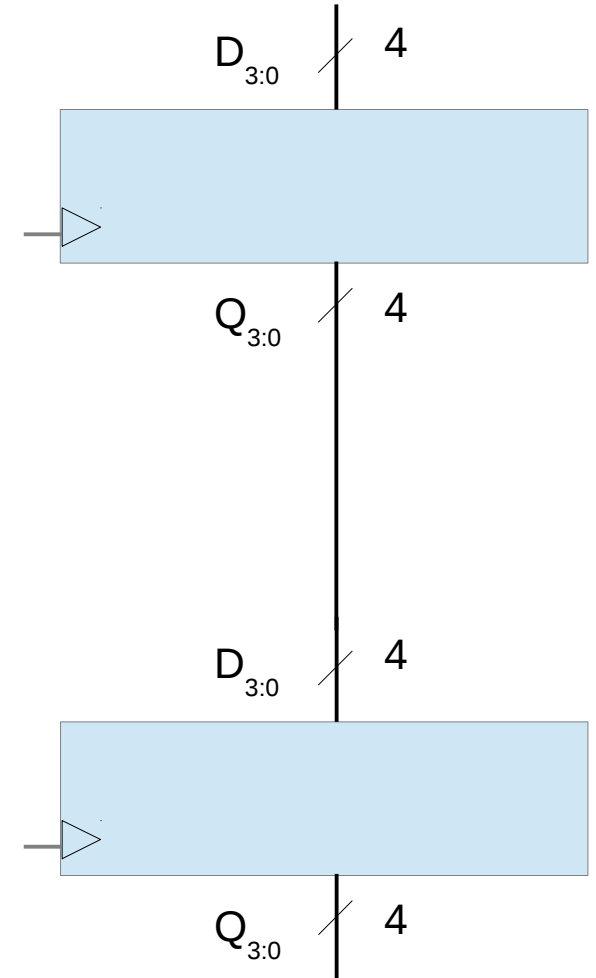
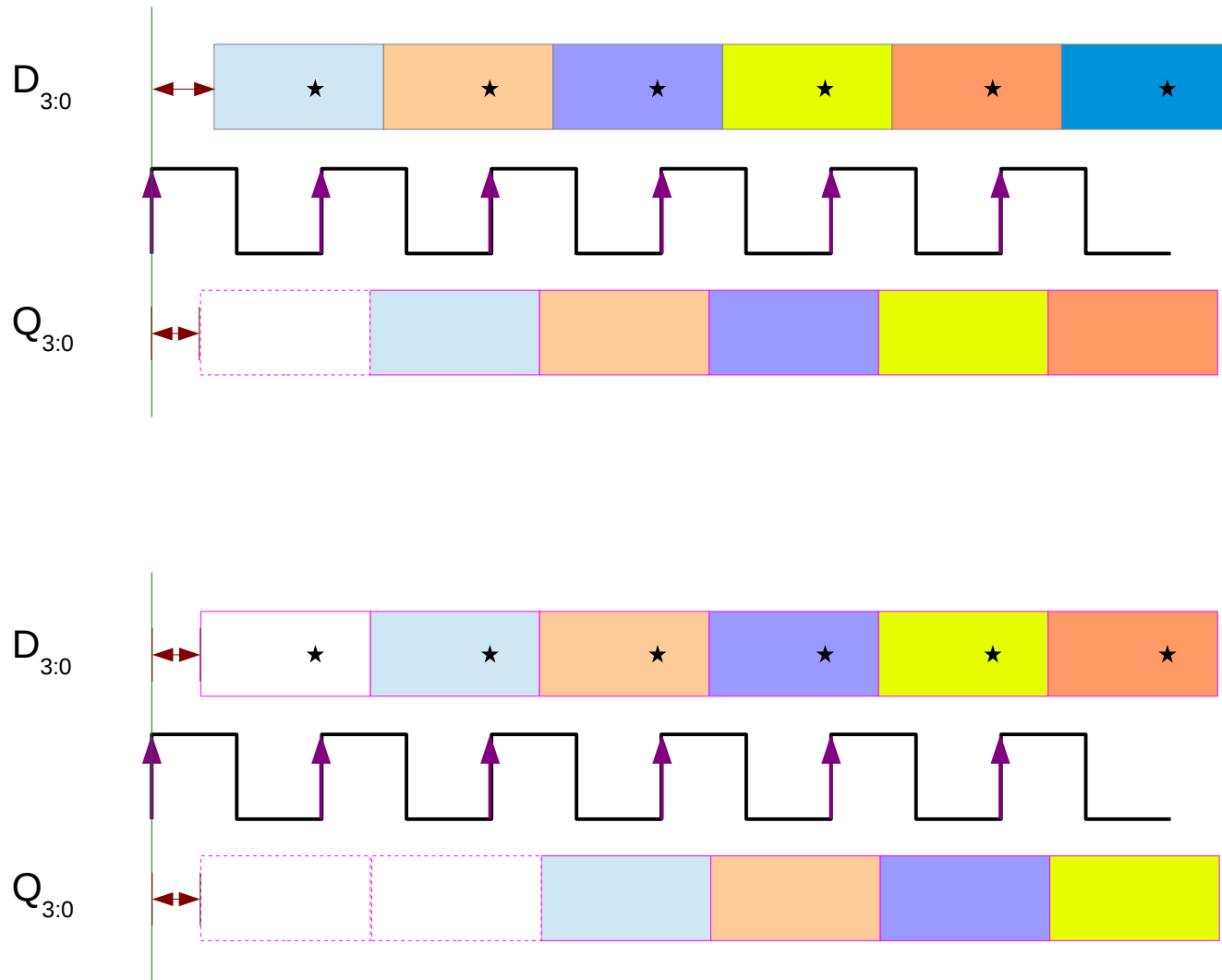
FF Timing (Ideal)



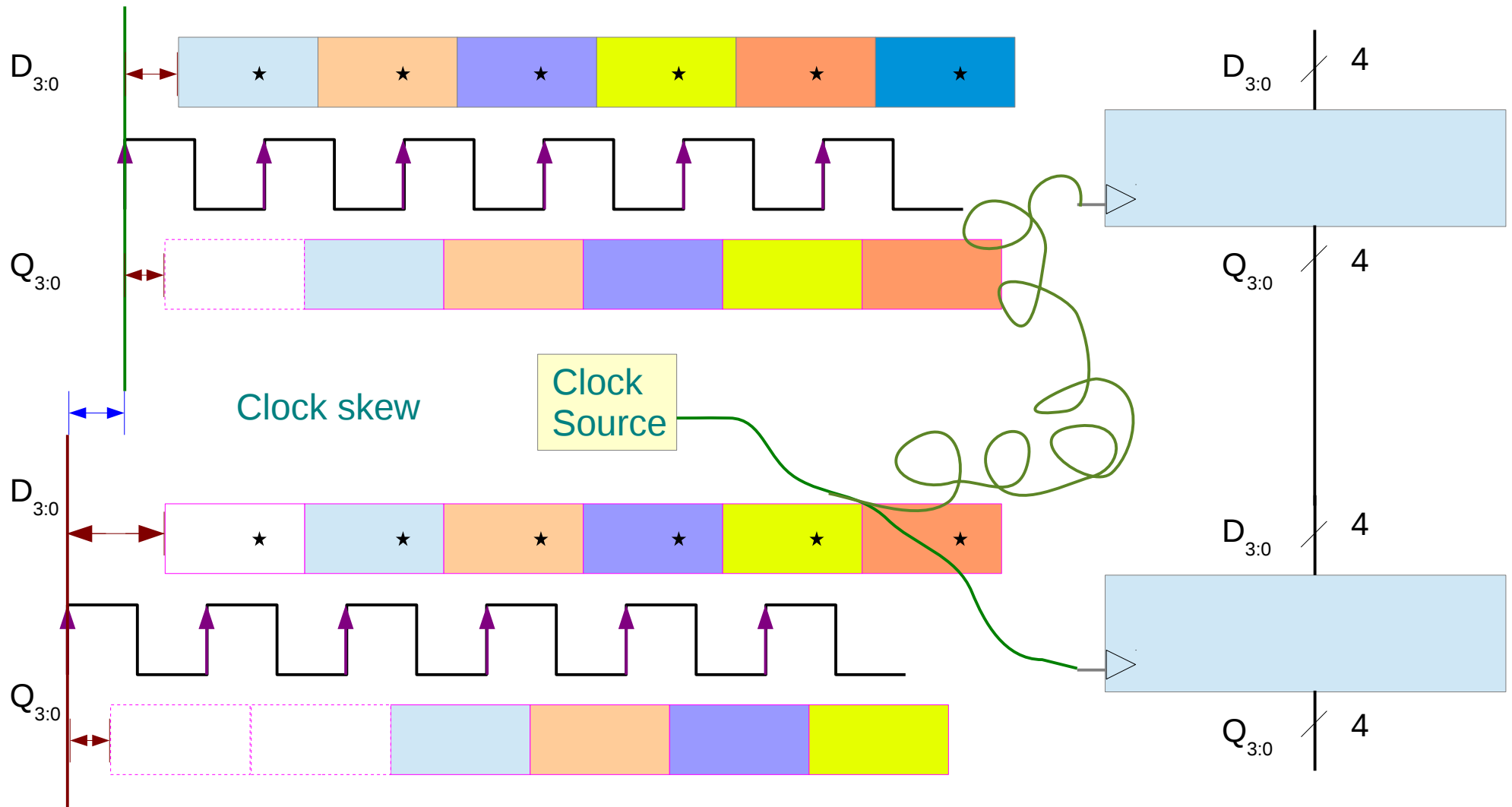
FF Timing (Delay)



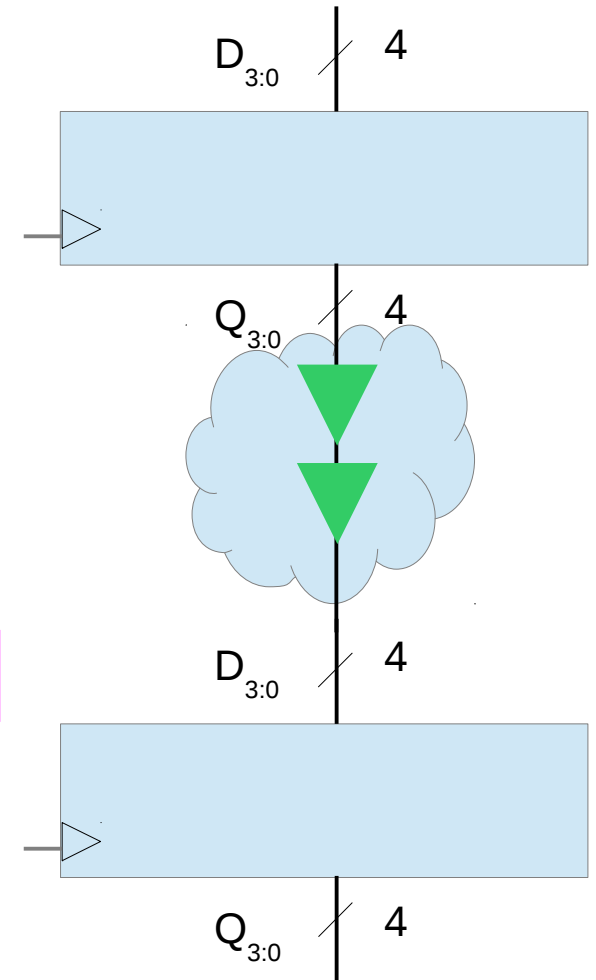
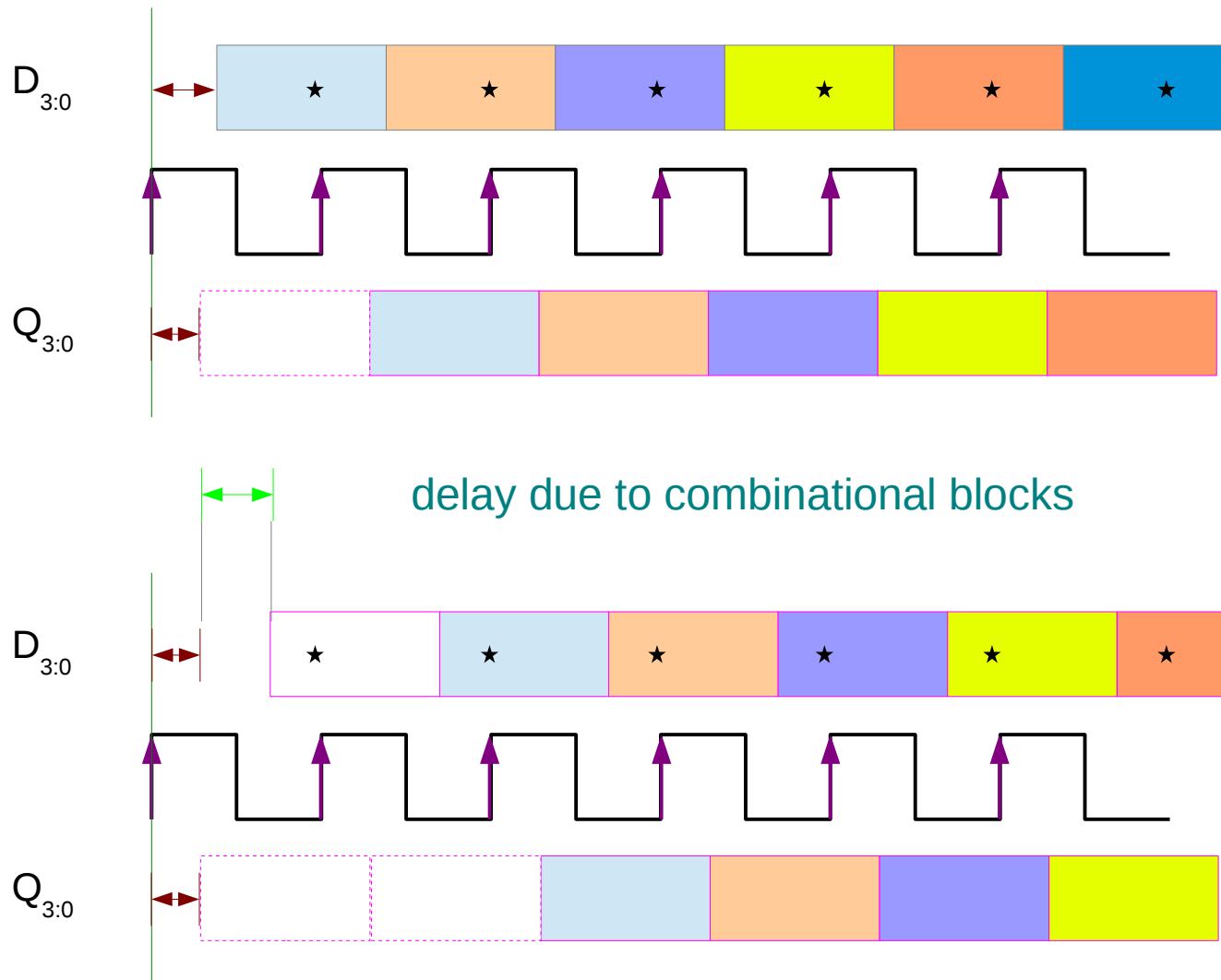
FF Timing (Delay)



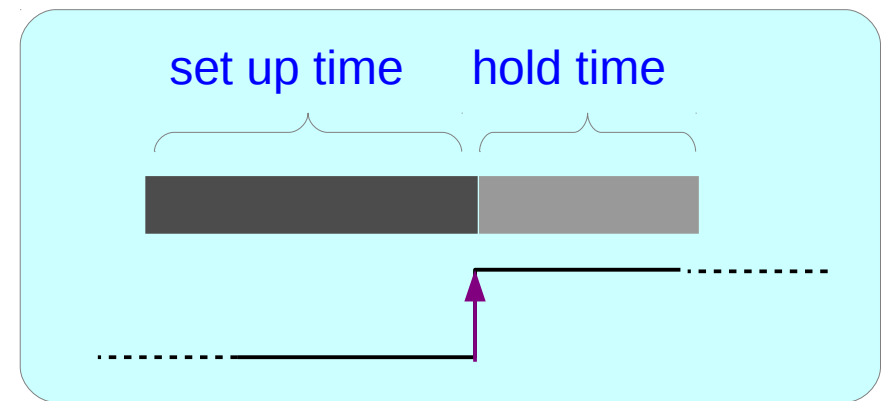
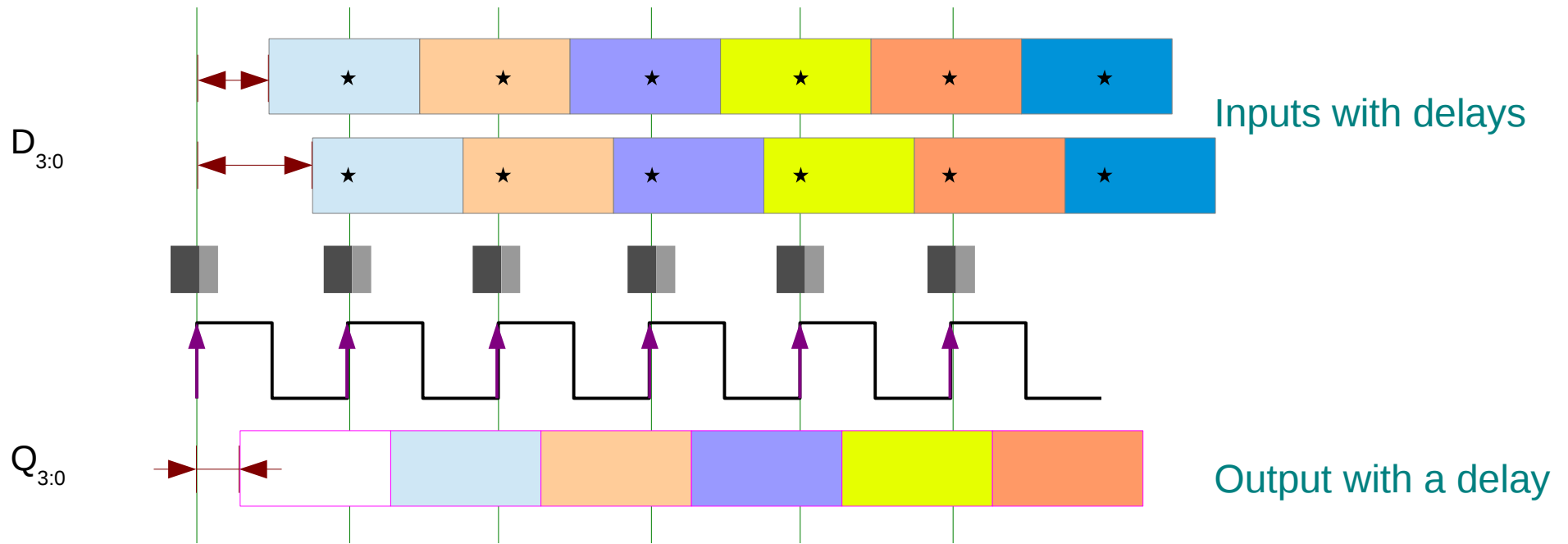
Clock Skew



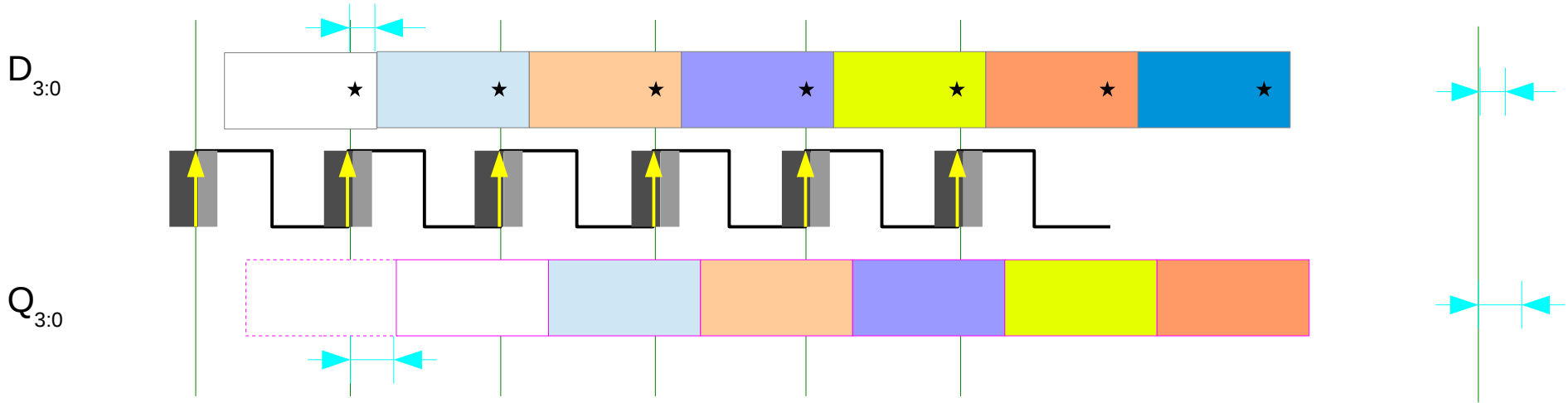
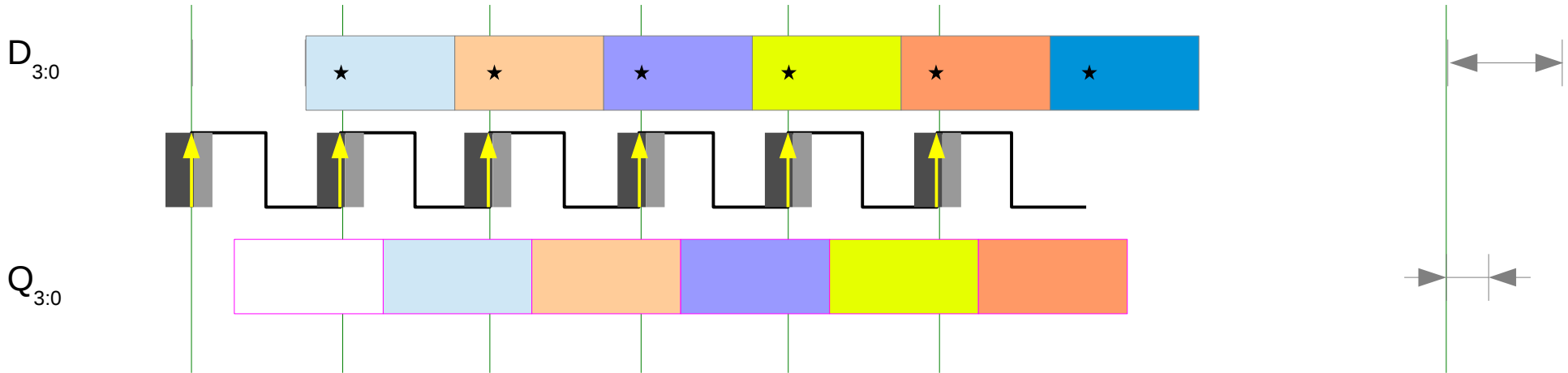
Path Delay



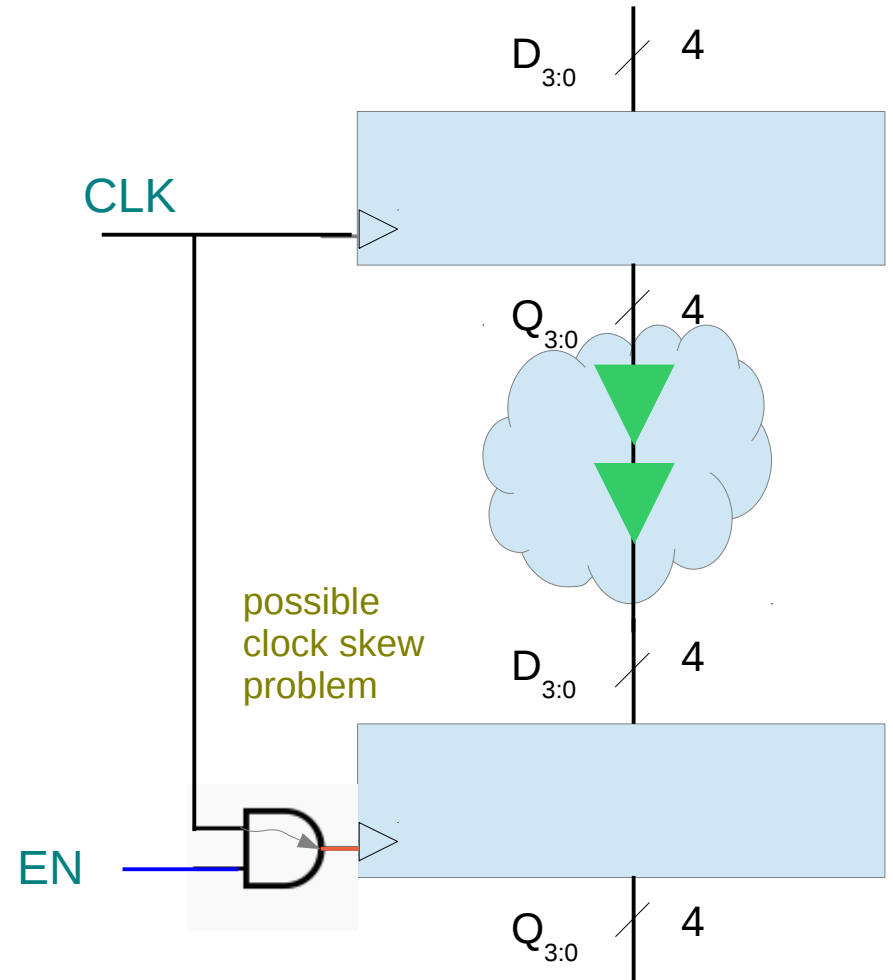
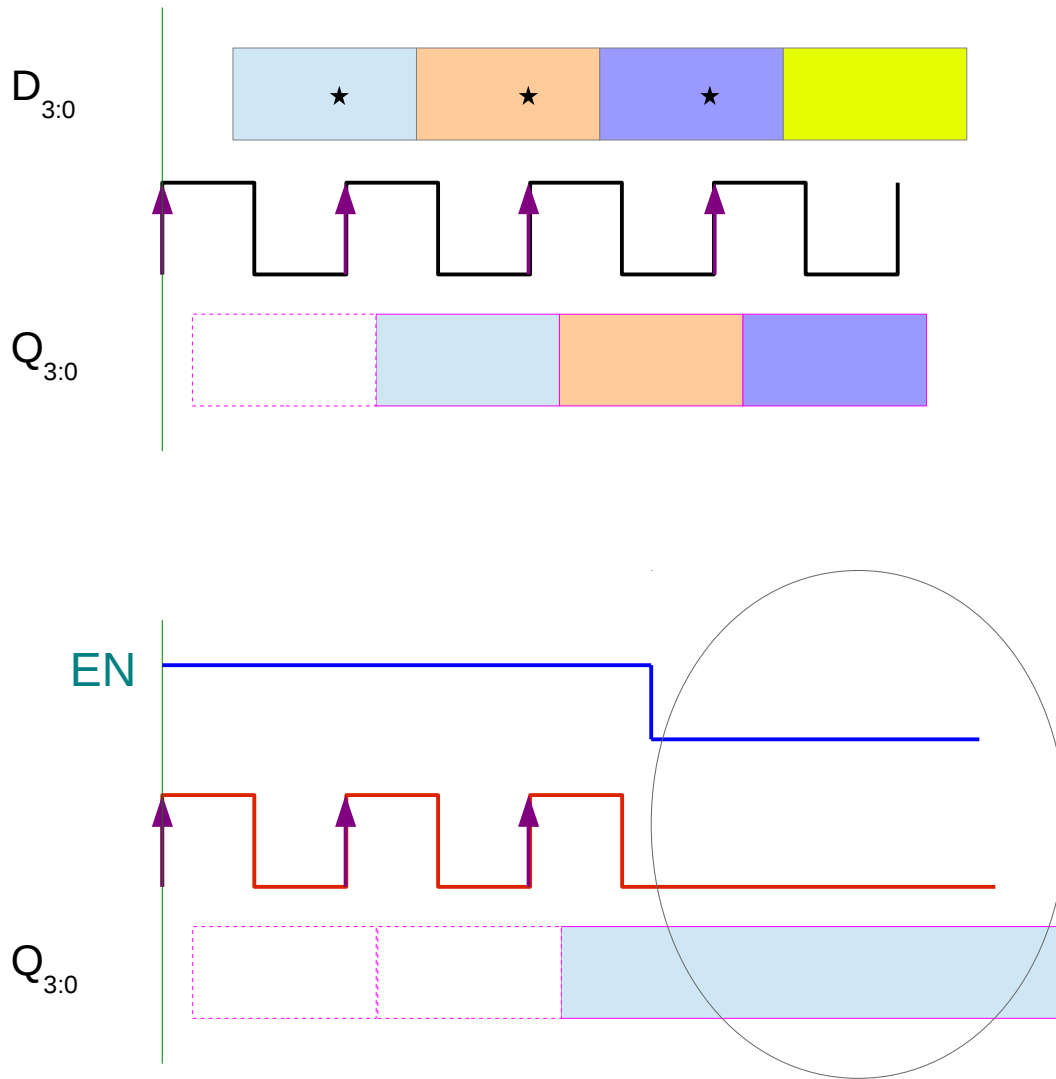
Setup & Hold Time (1)



Setup & Hold Time (2)

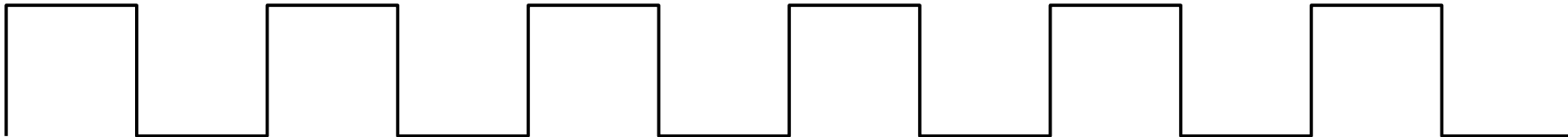
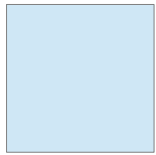


Clock Gating



Register Timing

NOR-based SR Latch



References

- [1] <http://en.wikipedia.org/>
- [2] <http://planetmath.org/>
- [3] M.L. Boas, "Mathematical Methods in the Physical Sciences"