

# Logic Circuit Design

## NAND-1

20170216

Copyright (c) 2015 - 2016 Young W. Lim.

Permission is granted to copy, distribute and/or modify this document under the terms of the GNU Free Documentation License, Version 1.2 or any later version published by the Free Software Foundation; with no Invariant Sections, no Front-Cover Texts, and no Back-Cover Texts. A copy of the license is included in the section entitled "GNU Free Documentation License".

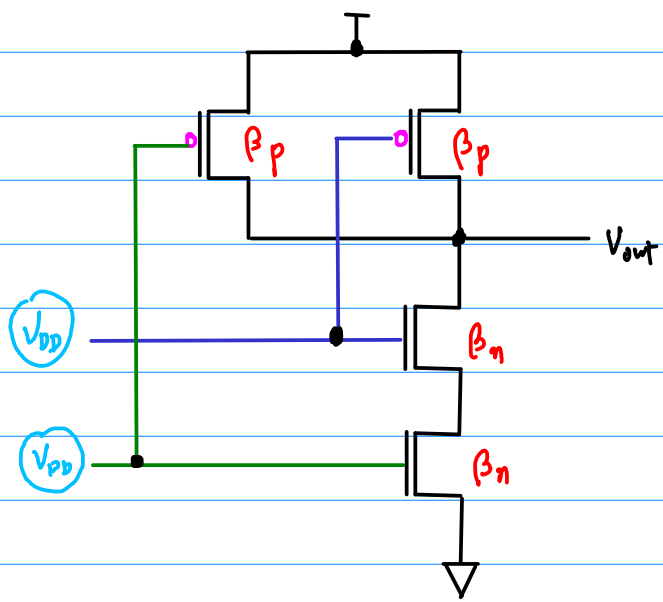
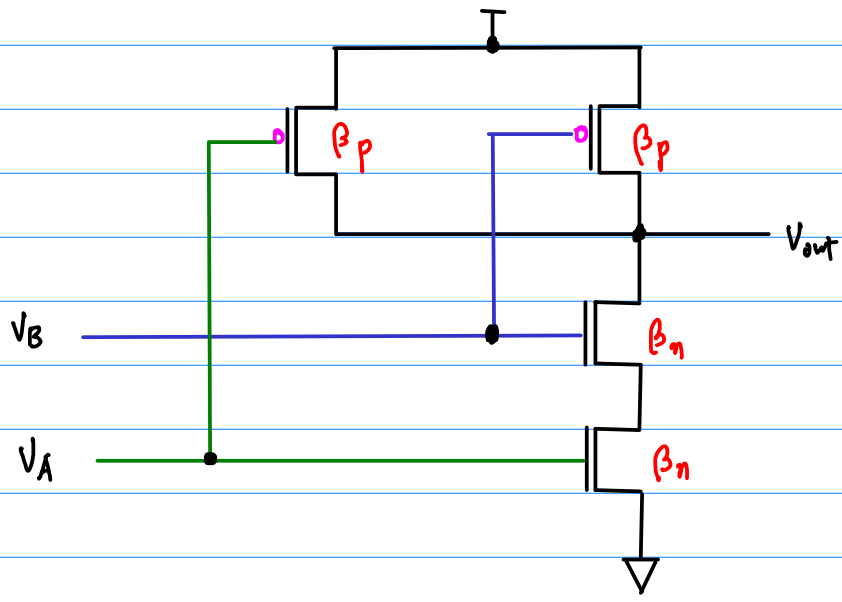
# References

Some Figures from the following sites

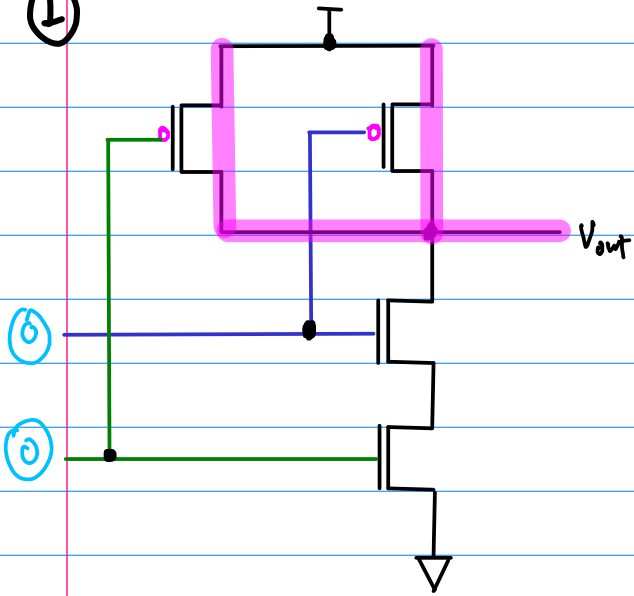
[1] <http://pages.hmc.edu/harris/cmosvlsi/4e/index.html>  
Weste & Harris Book Site

[2] Introduction to VLSI Circuits and Systems, Uyemura

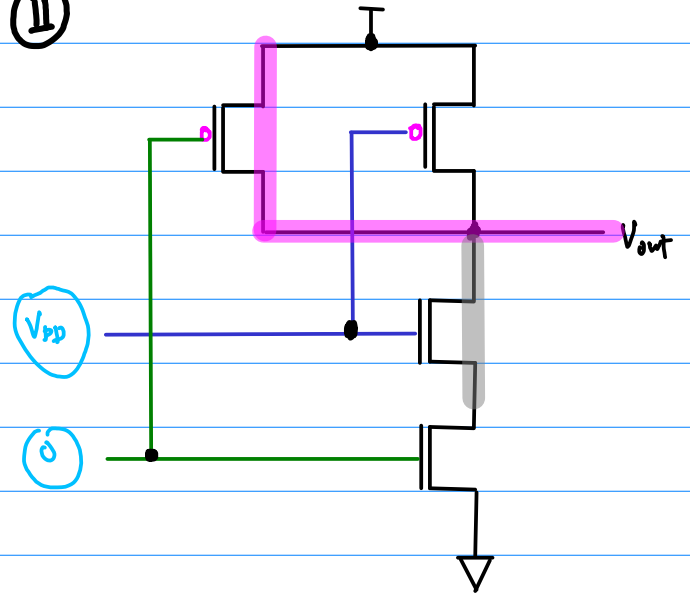
[2] [en.wikipedia.org](http://en.wikipedia.org)



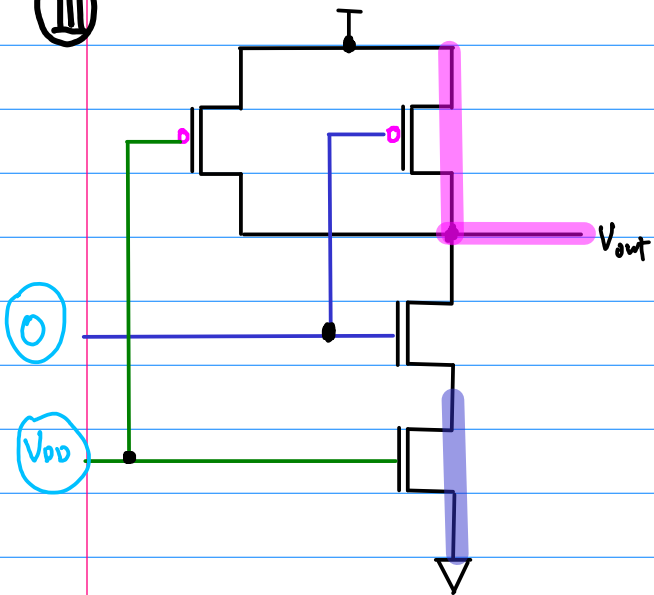
I



II



III



IV

