

Modern FlipFlop Design (A8)

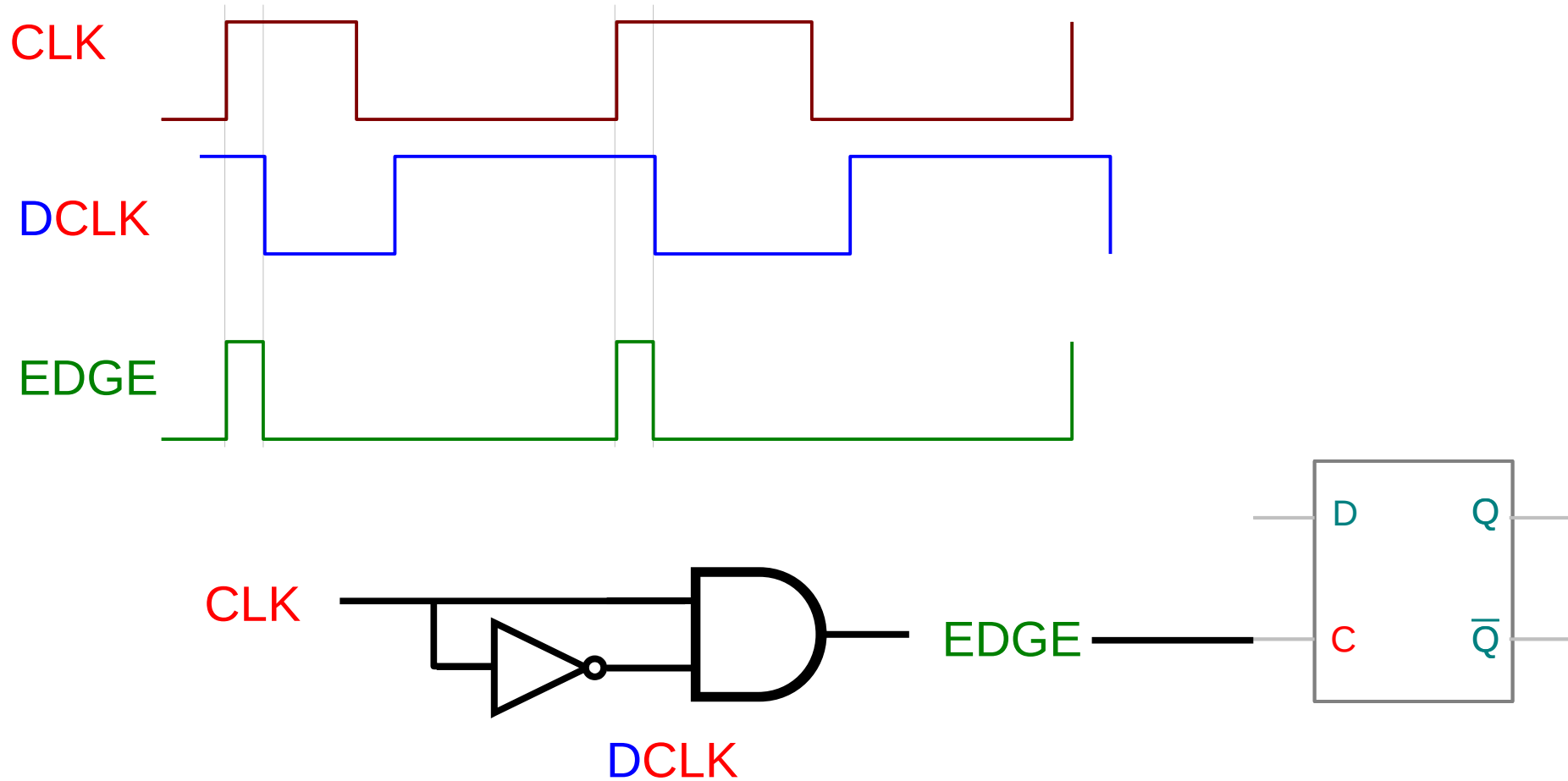
Copyright (c) 2011-2013 Young W. Lim.

Permission is granted to copy, distribute and/or modify this document under the terms of the GNU Free Documentation License, Version 1.2 or any later version published by the Free Software Foundation; with no Invariant Sections, no Front-Cover Texts, and no Back-Cover Texts. A copy of the license is included in the section entitled "GNU Free Documentation License".

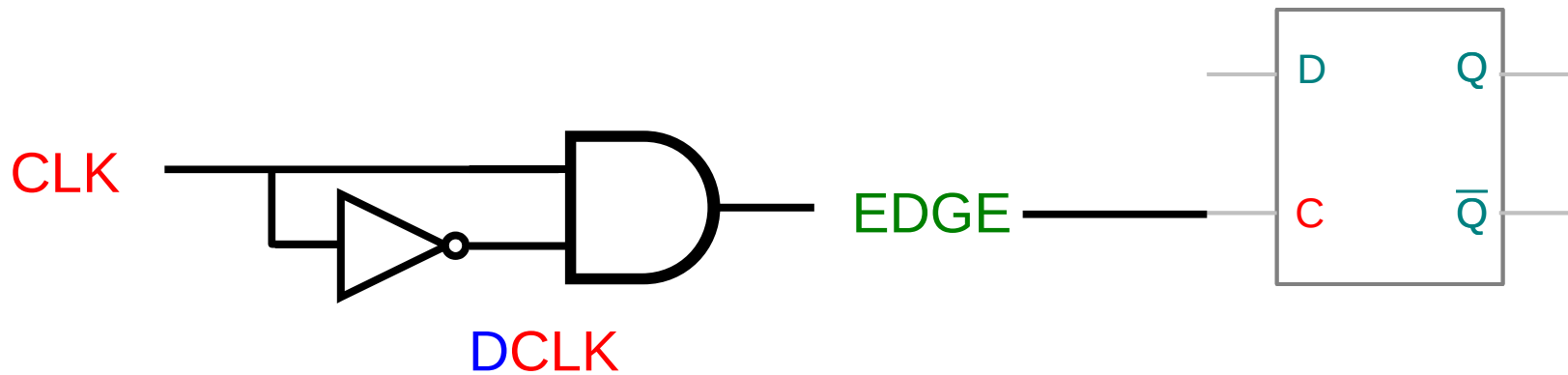
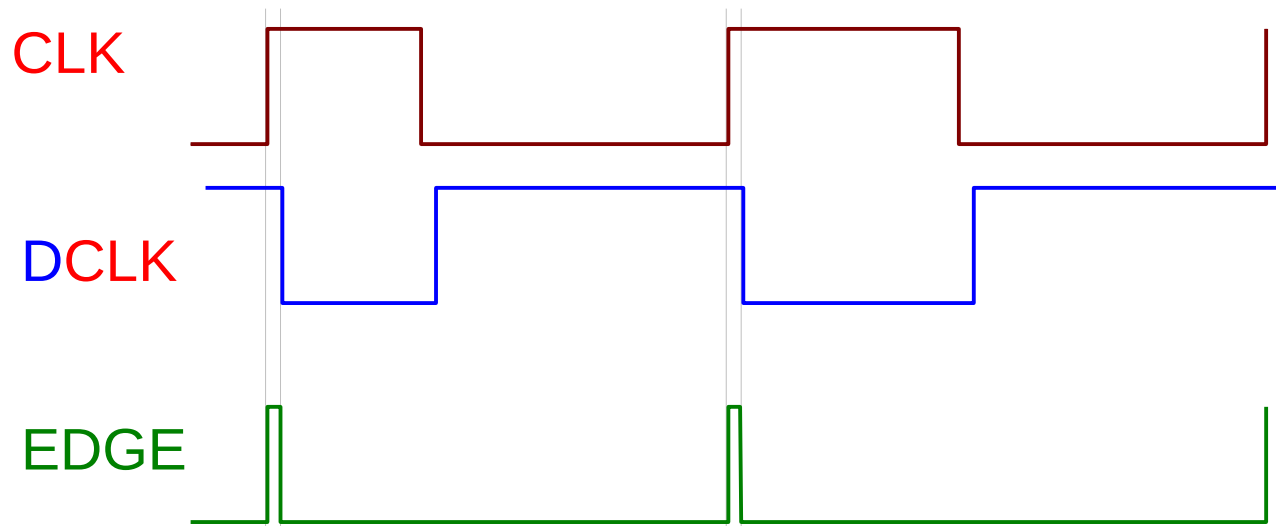
Please send corrections (or suggestions) to youngwlim@hotmail.com.

This document was produced by using OpenOffice and Octave.

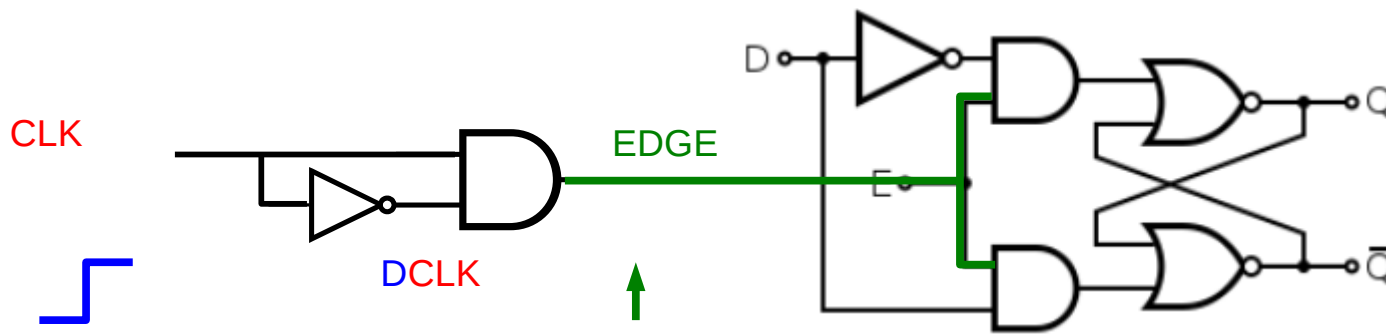
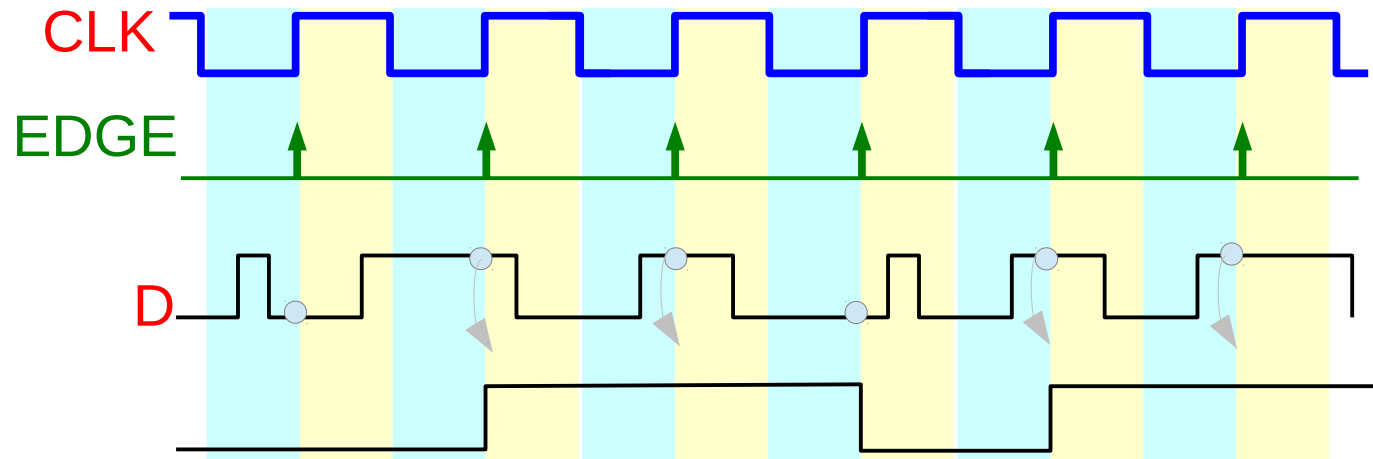
Edge Detector (1)



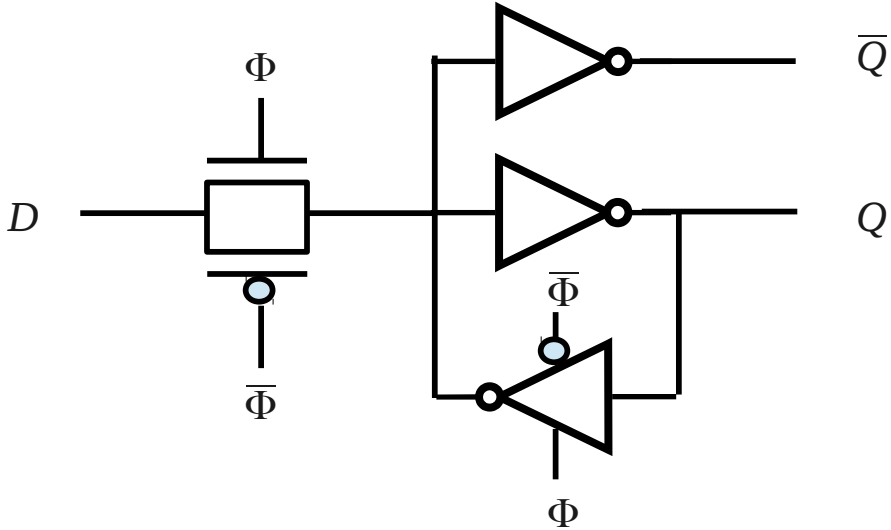
Edge Detector (2)



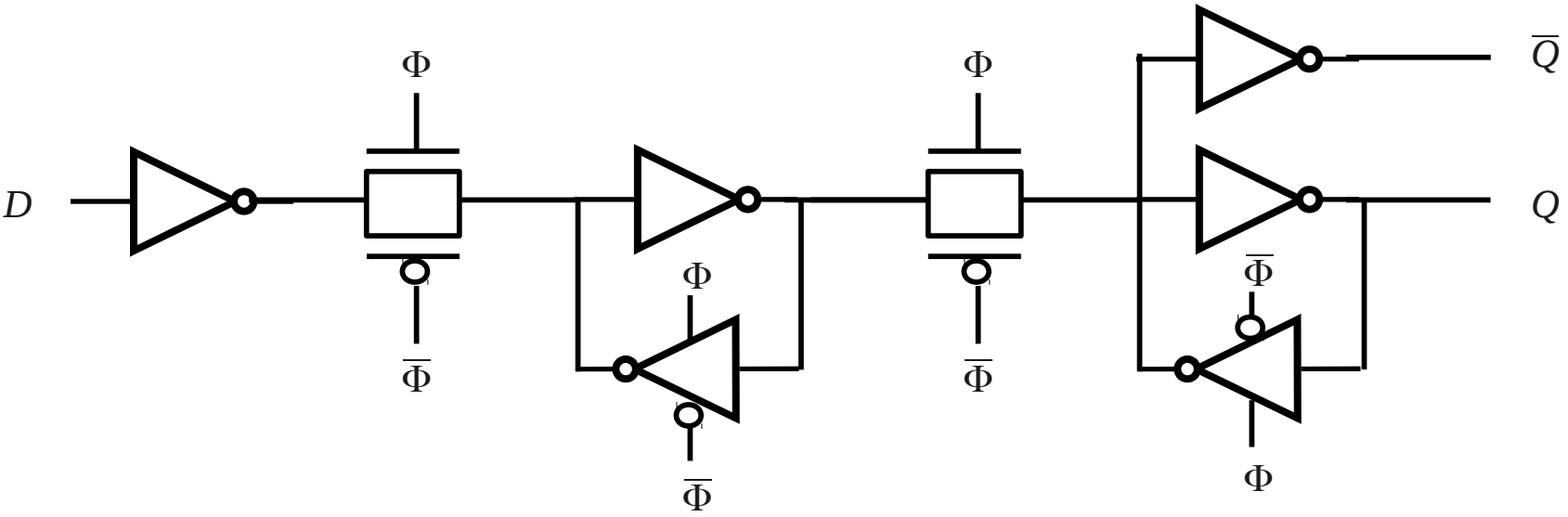
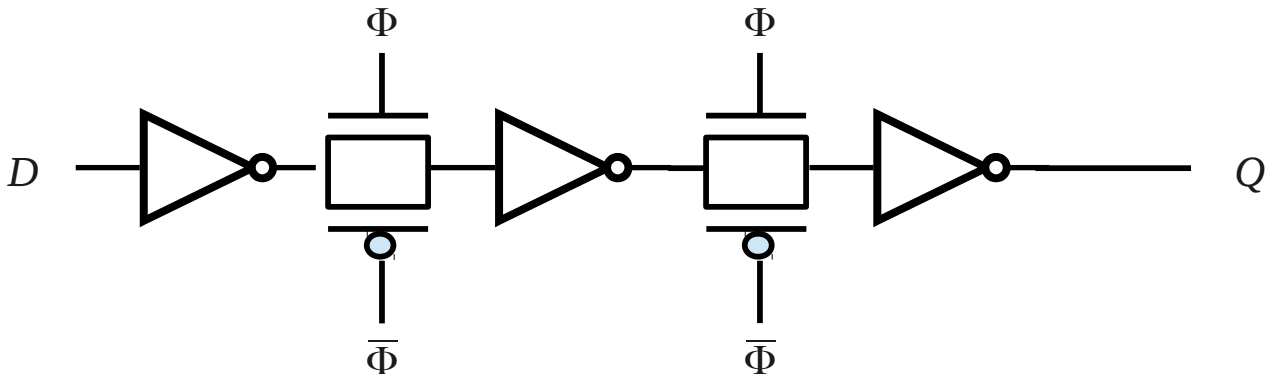
Edge Detector + D Latch = D FlipFlop



CMOS Latch Design



CMOS FlipFlop Design



References

- [1] <http://en.wikipedia.org/>
- [2] M. M. Mano, C. R. Kime, "Logic and Computer Design Fundamentals", 4th ed.
- [3] N. Weste, D. M. Harris, "CMOS VLSI Design"
- [4] R. K. Dueck, "Digital Design with CPLD Applications and VHDL"