

BJT Overview Amplifiers (H.3)

20170420

Copyright (c) 2016 - 2017 Young W. Lim.

Permission is granted to copy, distribute and/or modify this document under the terms of the GNU Free Documentation License, Version 1.2 or any later version published by the Free Software Foundation; with no Invariant Sections, no Front-Cover Texts, and no Back-Cover Texts. A copy of the license is included in the section entitled "GNU Free Documentation License".

References

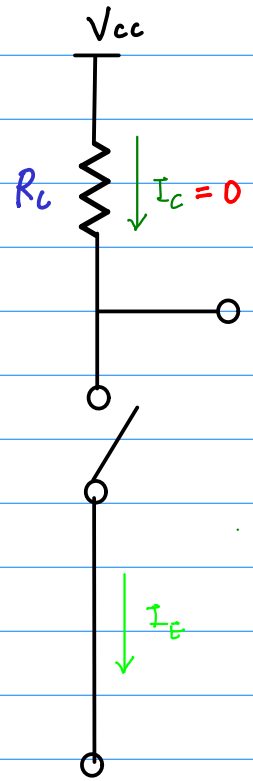
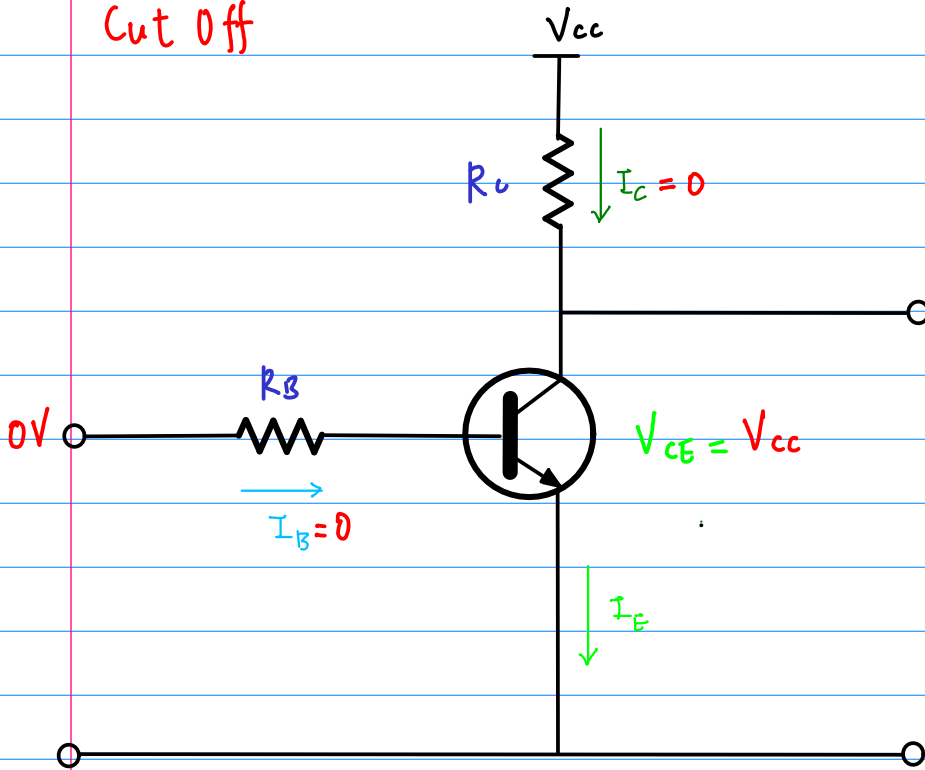
Based

[1] Floyd, Electronic Devices 7th ed

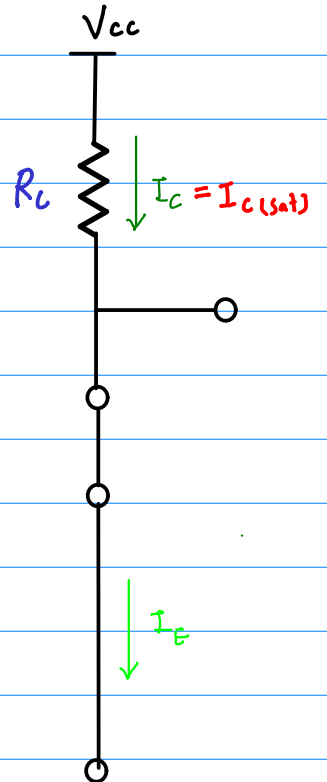
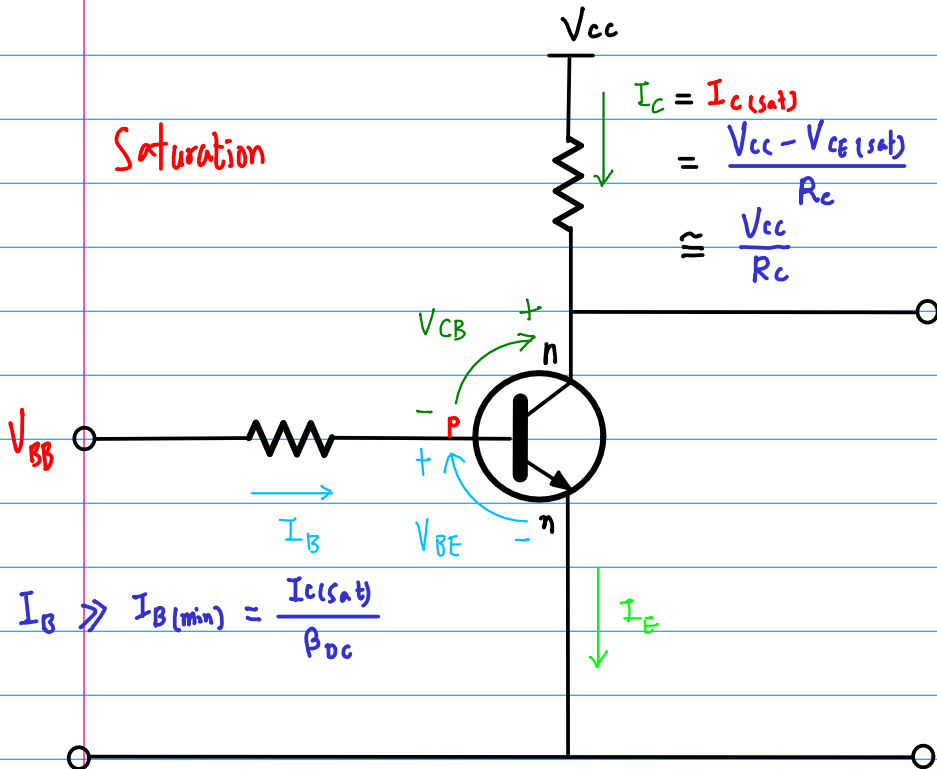
[2] Cook,

[2] en.wikipedia.org

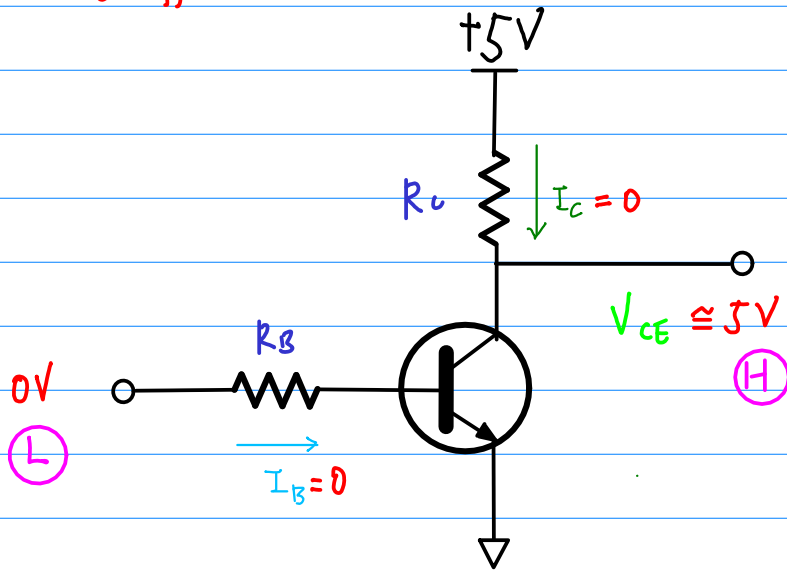
Cut Off



Saturation



Cut Off



Saturation

